



US00D804220S

(12) **United States Design Patent** (10) **Patent No.:** **US D804,220 S**
Knight (45) **Date of Patent:** **** Dec. 5, 2017**

- (54) **PORTION OF MOUNT FOR A HOOK** 305,861 A * 9/1884 Taylor A47G 25/0607
248/303
- (71) Applicant: **Home Depot Product Authority, LLC,** 670,680 A * 3/1901 Marek A47G 25/06
Atlanta, GA (US) 248/303
- (72) Inventor: **Erica Knight,** Chamblee, GA (US) 921,703 A * 5/1909 Hubbard A47G 25/0607
248/303
- (73) Assignee: **Home Depot Product Authority, LLC,** 4,239,167 A * 12/1980 Lane A45C 11/04
Atlanta, GA (US) 248/205.3
- (**) Term: **15 Years** 4,372,450 A * 2/1983 Licari A47G 25/0678
211/106.01
- (21) Appl. No.: **29/587,037** D273,262 S * 4/1984 Wolff D6/567
- (22) Filed: **Dec. 9, 2016** 4,658,967 A * 4/1987 Wang A47G 25/0678
211/182
- D324,783 S * 3/1992 Greenhut D6/323
(Continued)

Related U.S. Application Data

- (62) Division of application No. 29/506,270, filed on Oct. 14, 2014, now Pat. No. Des. 777,471.
- (51) **LOC (10) Cl.** **06-04**
- (52) **U.S. Cl.**
USPC **D6/567; D6/553**
- (58) **Field of Classification Search**
USPC D6/315-328, 552, 553, 566; 223/85-98;
211/1, 10, 13.1, 30, 32, 85.3, 85.7, 87.01,
211/113; D8/372; 248/303
CPC A47G 25/32; A47G 25/28; A47G 25/10;
A47G 25/743; A47G 25/746; A47G
25/36; A47G 25/0664; A47G 29/08;
A47G 33/1246; A47G 29/00; A47F
5/0006; A47F 7/06; A47F 5/0018; A47F
5/08; A47F 7/19; A47F 7/0028; A47F
5/0823; A47F 5/0815; A47F 5/0876;
A47F 5/101
See application file for complete search history.

References Cited

U.S. PATENT DOCUMENTS

- 257,533 A * 5/1882 Taylor A47G 25/0607
248/303
- 305,860 A * 9/1884 Taylor A47G 25/0607
248/303

OTHER PUBLICATIONS

Canadian office action received in related application No. 169511, dated Feb. 16, 2017, one page.

Primary Examiner — Lauren Calve

(74) *Attorney, Agent, or Firm* — Greenberg Traurig, LLP

(57)

CLAIM

The ornamental design for a portion of mount for a hook, as shown and described.

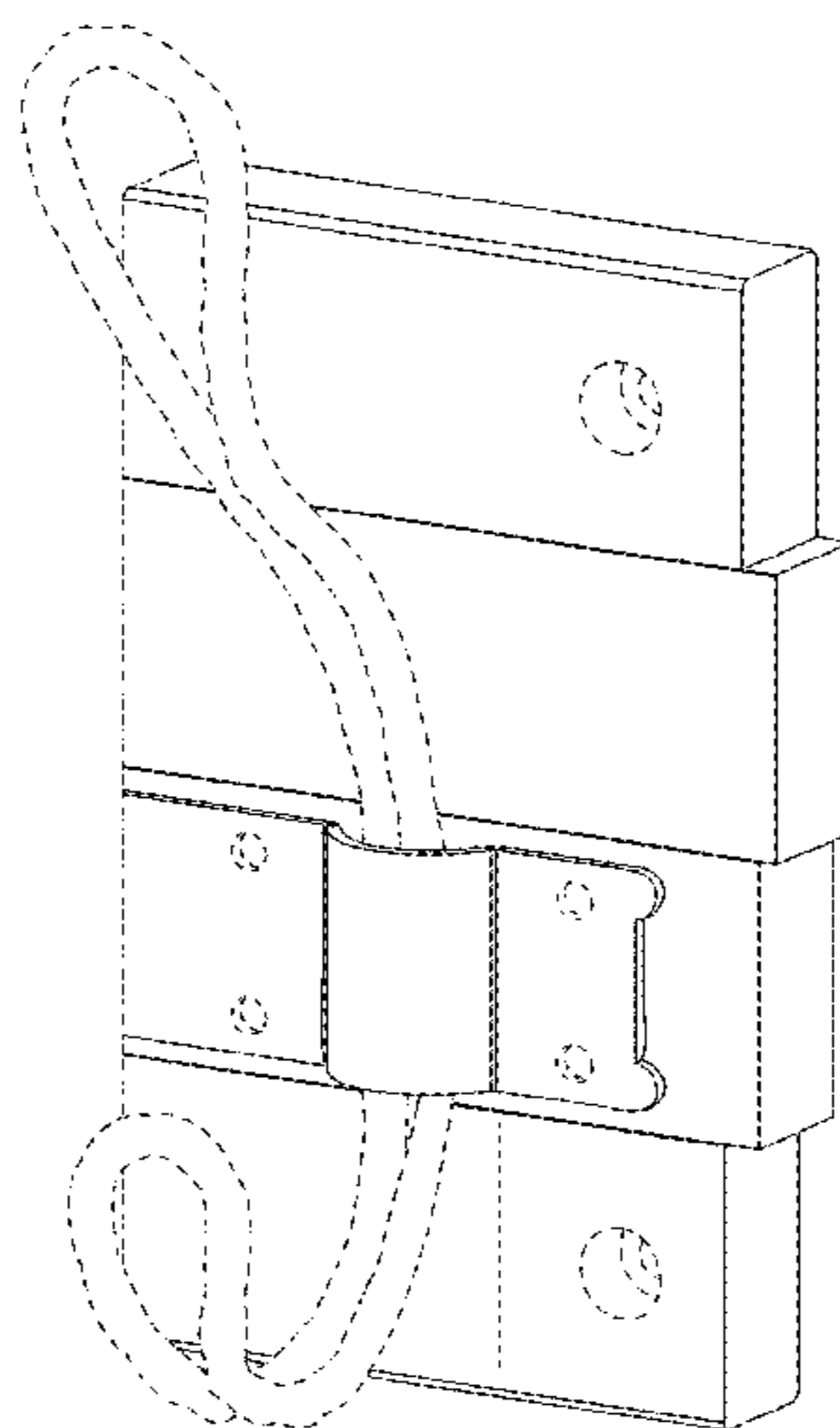
DESCRIPTION

FIG. 1 is a perspective view of a portion of a mount for a hook, showing my design;
FIG. 2 is a front view thereof;
FIG. 3 is a right side view thereof;
FIG. 4 is a top view thereof; and,
FIG. 5 is a bottom view thereof.

The dashed lines shown in the figures represent unclaimed subject matter and form no part of the claimed design. The long-short dashed lines represent unclaimed boundary lines that form no part of the claimed design.

The back and left side views not shown form no part of the claimed design.

1 Claim, 5 Drawing Sheets



(56)

References Cited

U.S. PATENT DOCUMENTS

D351,754 S * 10/1994 Peck D6/572
D364,769 S * 12/1995 Hickman D6/567
D393,559 S * 4/1998 Laga D6/569
6,439,404 B1 * 8/2002 Steeg A47F 5/08
211/55
D473,455 S * 4/2003 Goodman D6/513
D483,593 S * 12/2003 Knapp D6/572
D483,655 S * 12/2003 Dretzka D8/367
7,210,660 B2 * 5/2007 James A47F 5/0823
248/220.31
D544,279 S * 6/2007 Kivett D6/569
D553,960 S * 10/2007 Schmidt D8/372
D556,025 S * 11/2007 Kubota D8/372
D602,295 S * 10/2009 Ferguson D6/572
D610,815 S * 3/2010 Goodman D6/320
D651,414 S * 1/2012 Noe D6/323
D654,737 S * 2/2012 Guindi D6/514
D666,856 S * 9/2012 Goodman D6/566
D666,858 S * 9/2012 Goodman D6/566
D666,859 S * 9/2012 Goodman D6/566
D751,371 S * 3/2016 Pan D8/372
D777,471 S * 1/2017 Knight D6/567

* cited by examiner

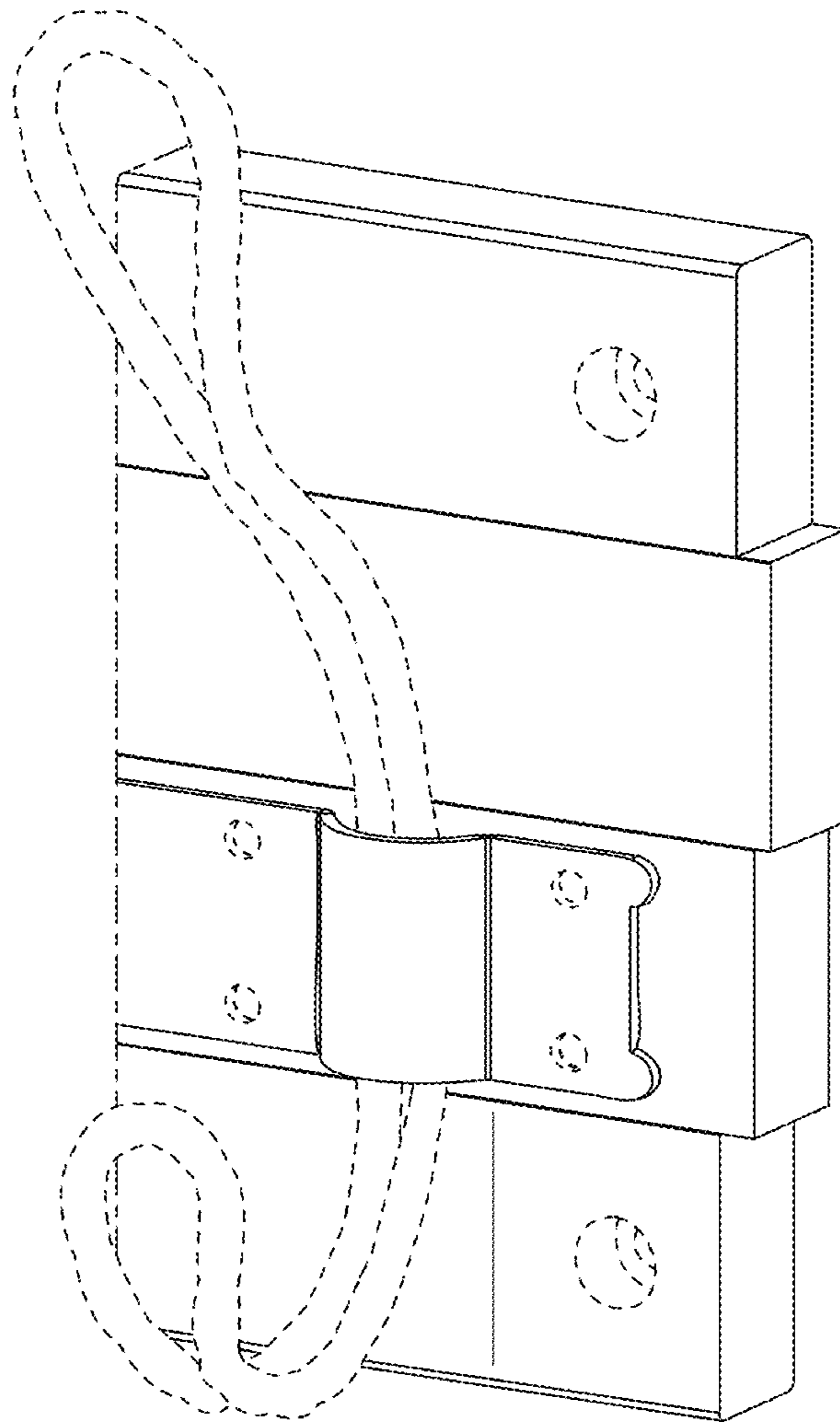


FIG. 1

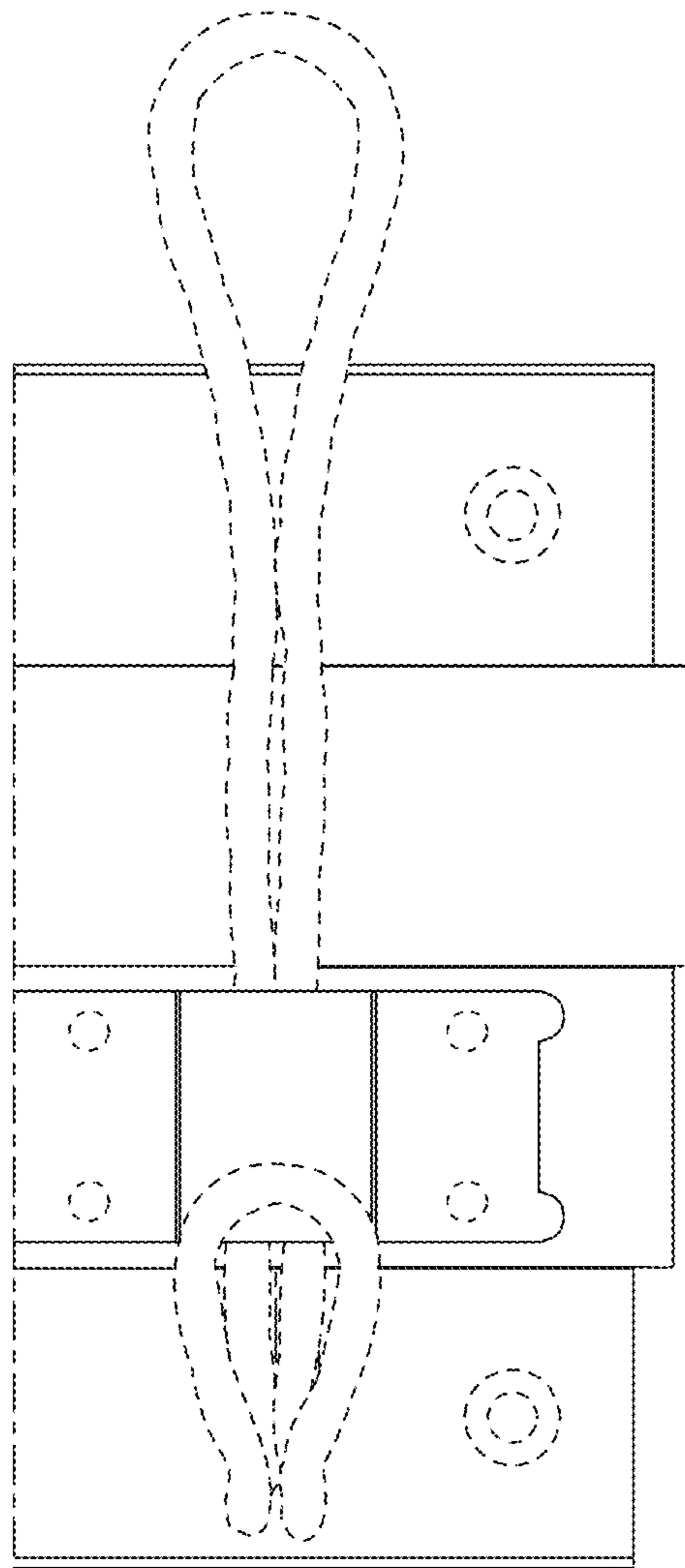


FIG. 2

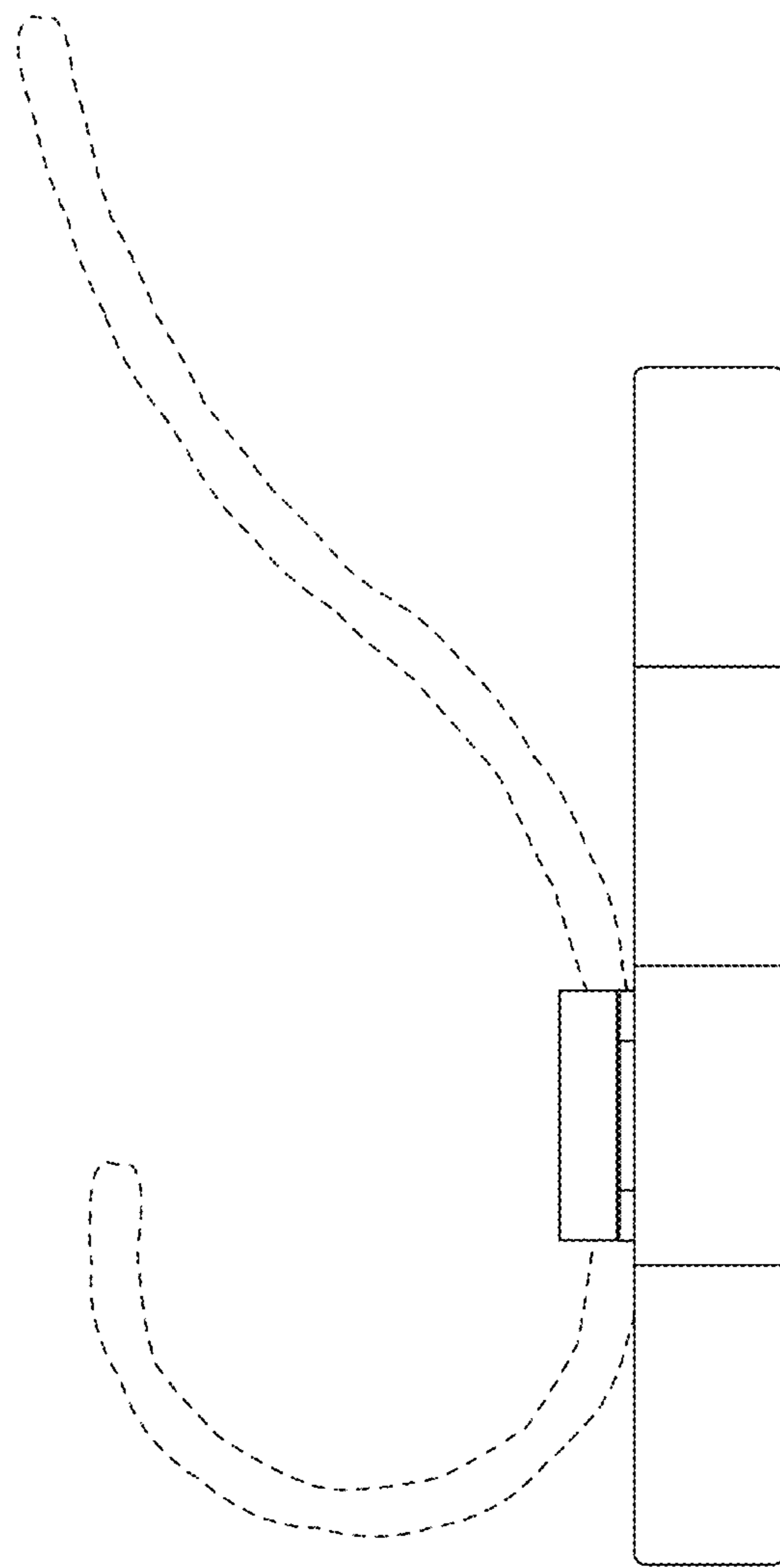


FIG. 3

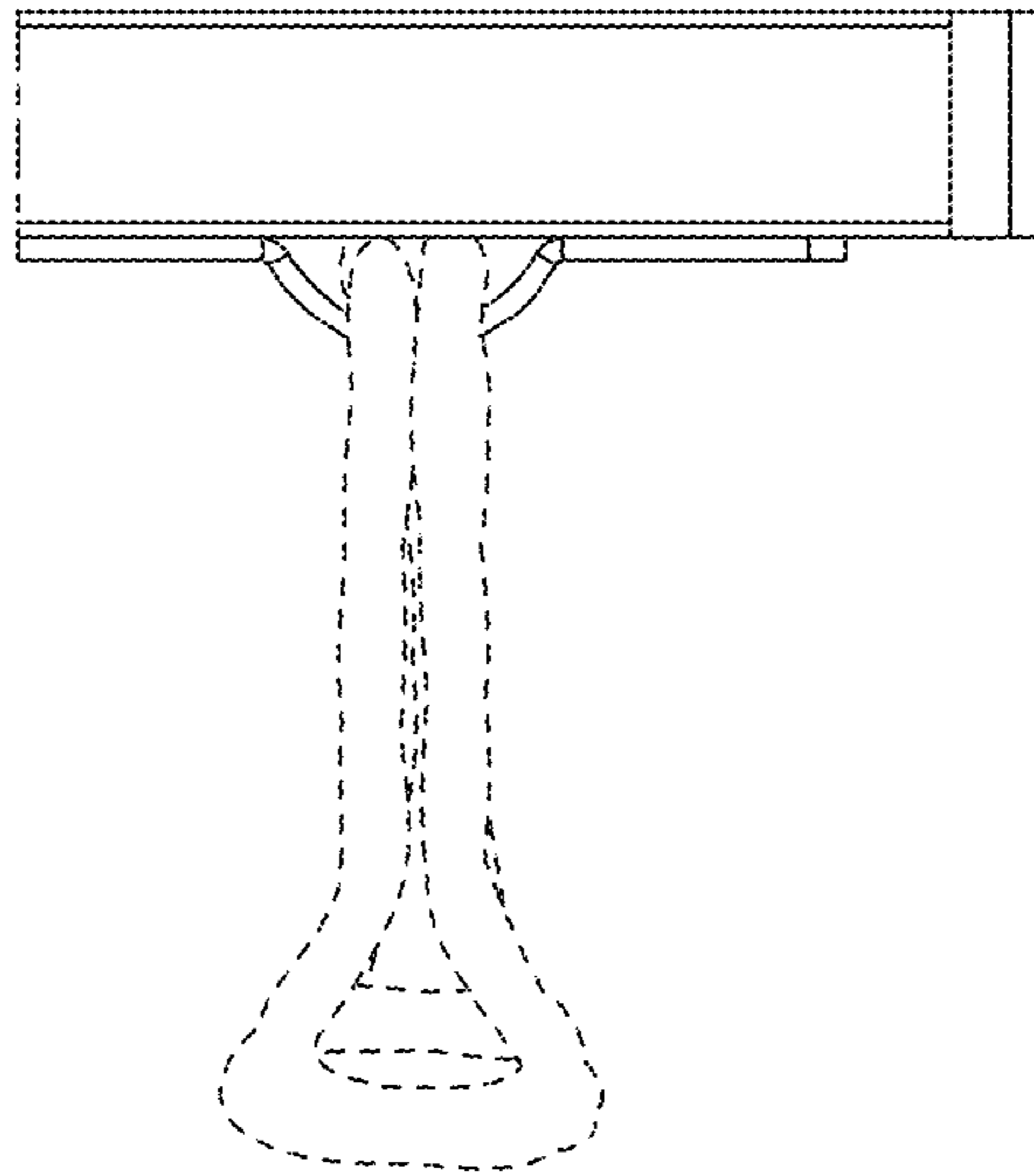


FIG. 4

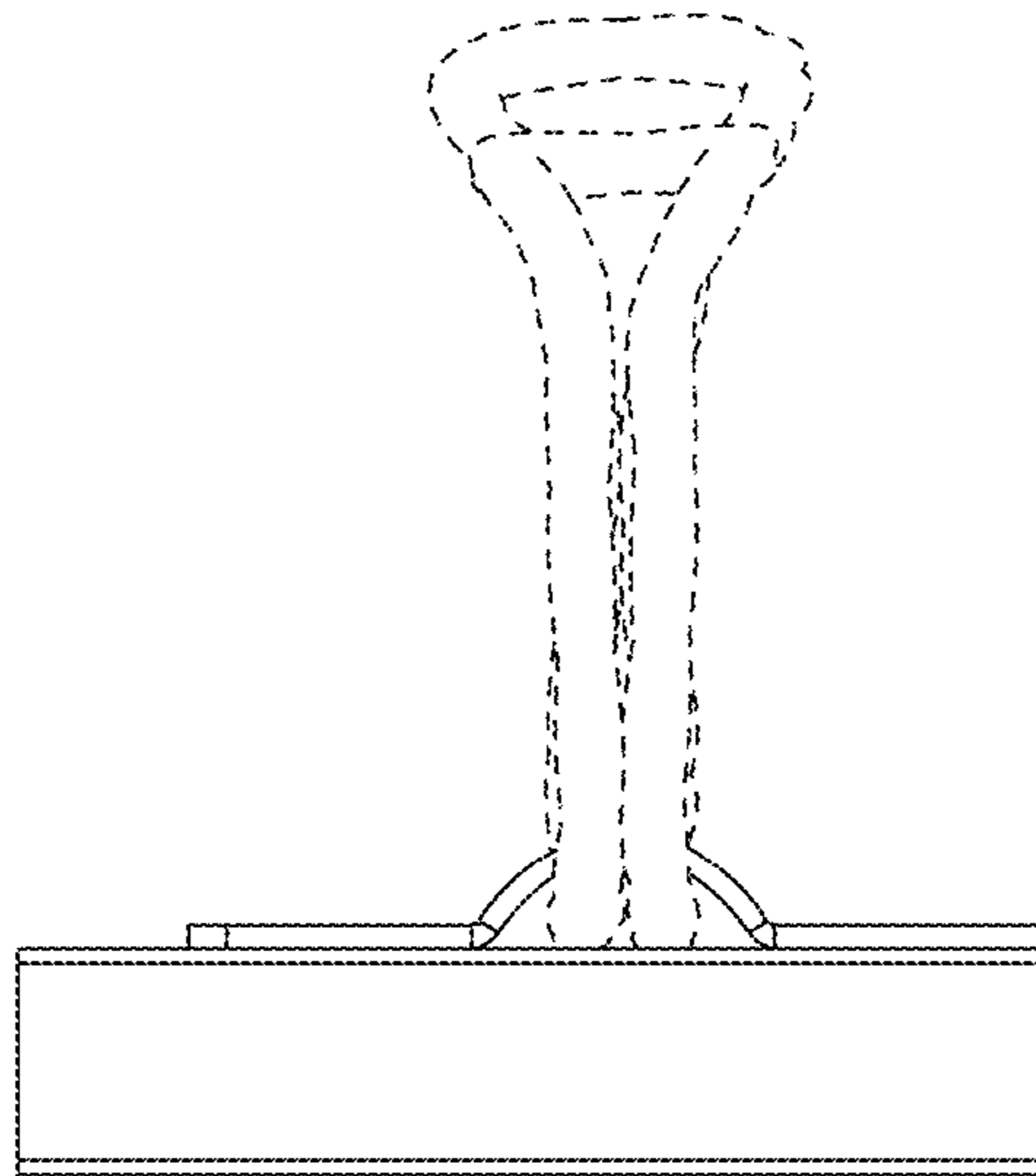


FIG. 5