



US00D804219S

(12) **United States Design Patent** (10) **Patent No.:** **US D804,219 S**  
**Hucks et al.** (45) **Date of Patent:** **\*\* Dec. 5, 2017**

(54) **HAT BRACKET**

(71) Applicant: **Hardheaded Productions, LLC**,  
Wynnewood, OK (US)  
(72) Inventors: **Casey Hucks**, Wynnewood, OK (US);  
**Gary Campbell**, Wynnewood, OK (US)

(73) Assignee: **Hardheaded Productions, LLC**,  
Wynnewood, OK (US)

(\*\*) Term: **15 Years**

(21) Appl. No.: **29/578,768**

(22) Filed: **Sep. 23, 2016**

(51) **LOC (10) Cl.** ..... **06-08**

(52) **U.S. Cl.**  
USPC ..... **D6/553**

(58) **Field of Classification Search**  
USPC ..... D6/553, 315-320, 321-328, 567;  
D8/367, 372; 223/85-98; 248/304,  
248/309.1, 316.8  
CPC .... A47G 25/18; A47G 25/0692; A47G 25/28;  
A47G 25/14; A47G 25/005; A47G  
25/746; A47G 25/743; A47G 25/06;  
A47G 25/32; A47G 25/1457; A47F 7/19;  
A47F 7/08; A47F 7/0028  
See application file for complete search history.

(56) **References Cited**

**U.S. PATENT DOCUMENTS**

D328,193 S \* 7/1992 Gossett ..... D6/315  
5,303,829 A 4/1994 Kennedy

5,538,144 A 7/1996 Reed  
5,566,837 A 10/1996 Lema  
5,921,403 A 7/1999 Coffaro  
6,223,910 B1 5/2001 Levin et al.  
D493,093 S \* 7/2004 Goodman ..... D8/367  
D609,080 S \* 2/2010 Schorn ..... D6/552  
D725,918 S \* 4/2015 Torro ..... D6/326  
D794,980 S \* 8/2017 Weiner ..... D6/553  
2007/0039903 A1 2/2007 Aiken

\* cited by examiner

*Primary Examiner* — Wan Laymon

*Assistant Examiner* — Mark Booker

(74) *Attorney, Agent, or Firm* — Dunlap Coddling, P.C.

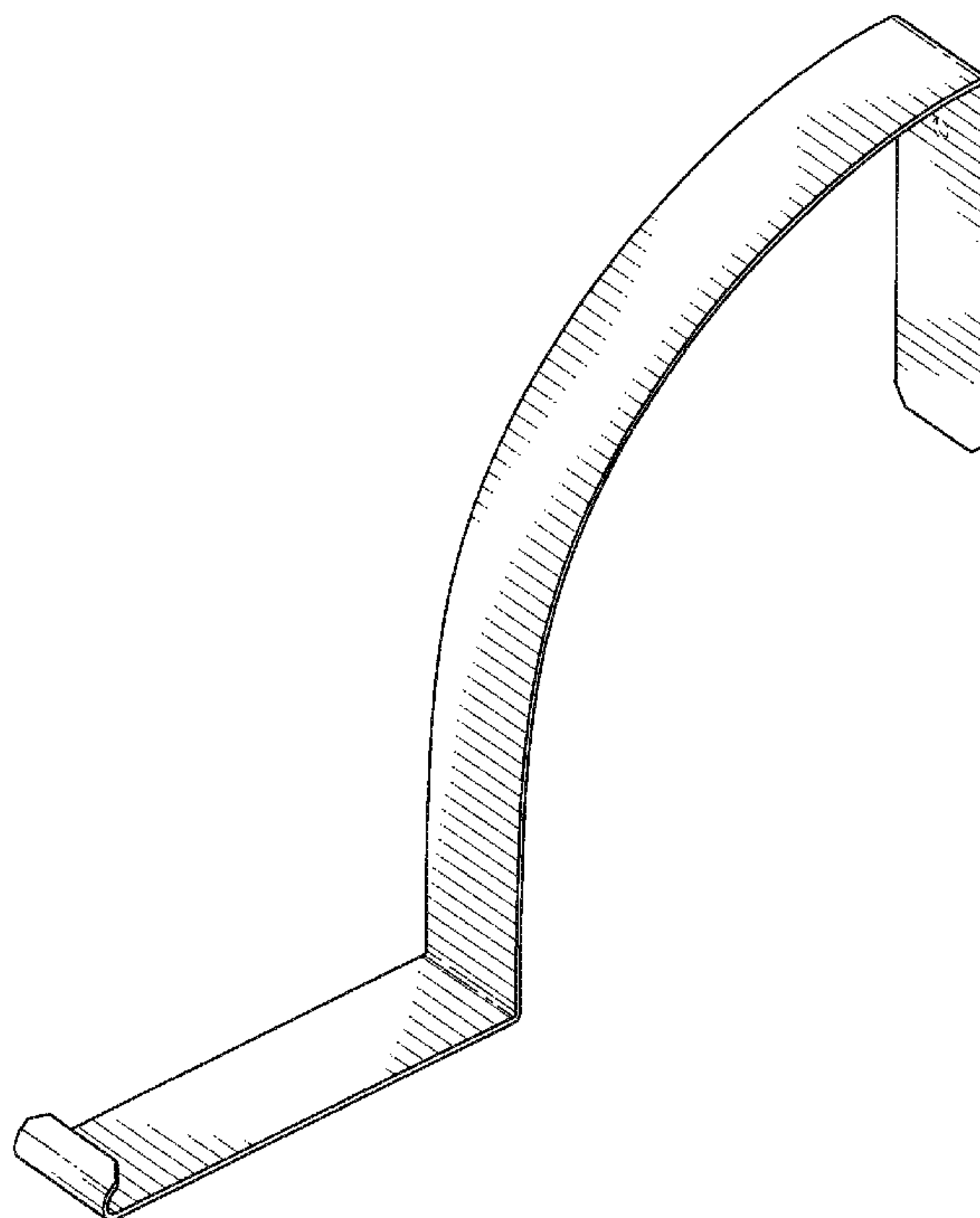
(57) **CLAIM**

The ornamental design for a hat bracket, as shown and described.

**DESCRIPTION**

FIG. 1 is a perspective view of a hat bracket showing our new design.  
FIG. 2 is a front elevational view thereof.  
FIG. 3 is a rear elevational view thereof.  
FIG. 4 is a side elevational view of thereof.  
FIG. 5 is a side elevational view of a side opposite that shown in FIG. 4.  
FIG. 6 is a top plan view thereof; and,  
FIG. 7 is a bottom plan view thereof.  
The broken lines shown in FIGS. 1 and 3 are for purposes of illustrating environment only and form no part of the claimed design.

**1 Claim, 4 Drawing Sheets**



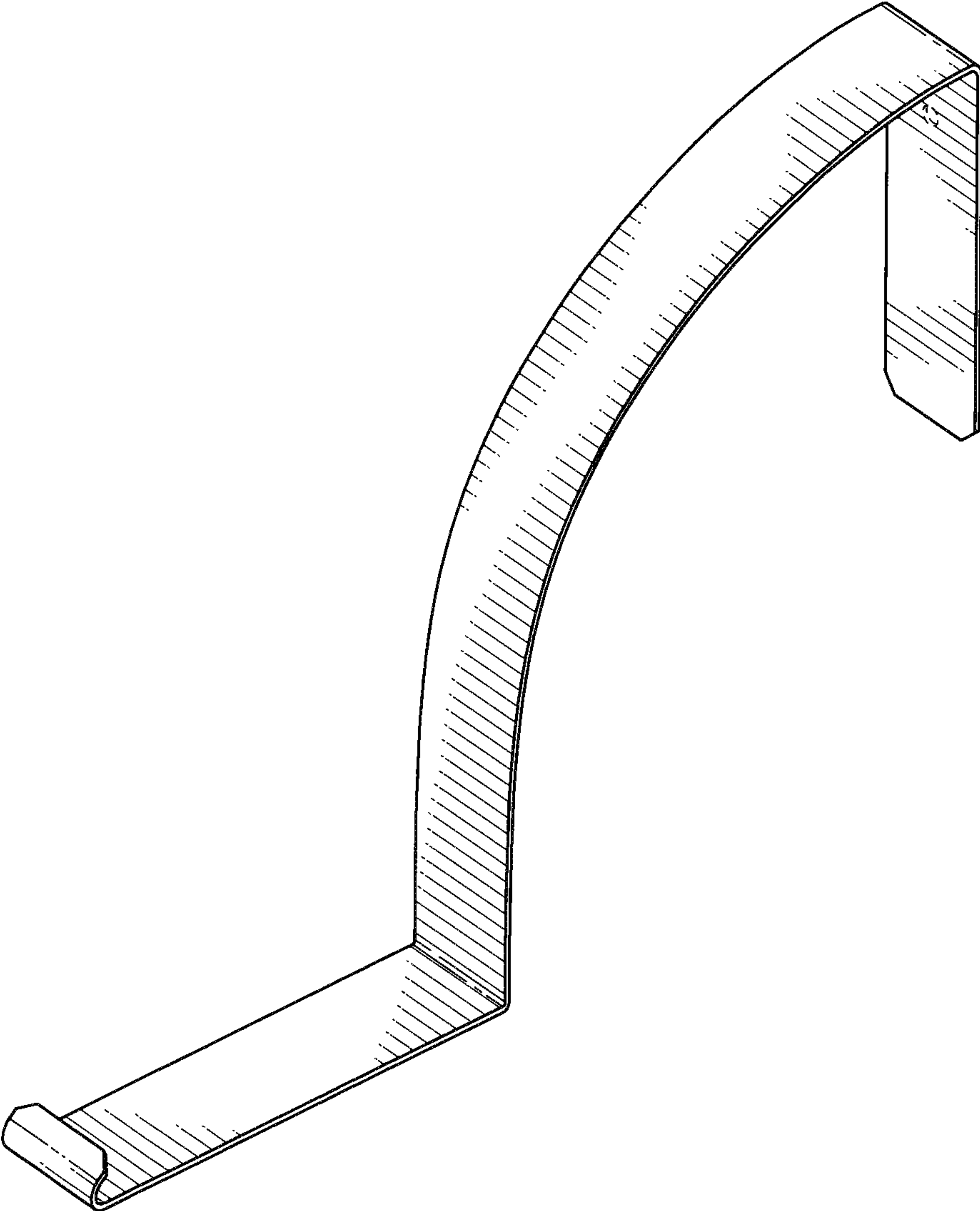


FIG. 1

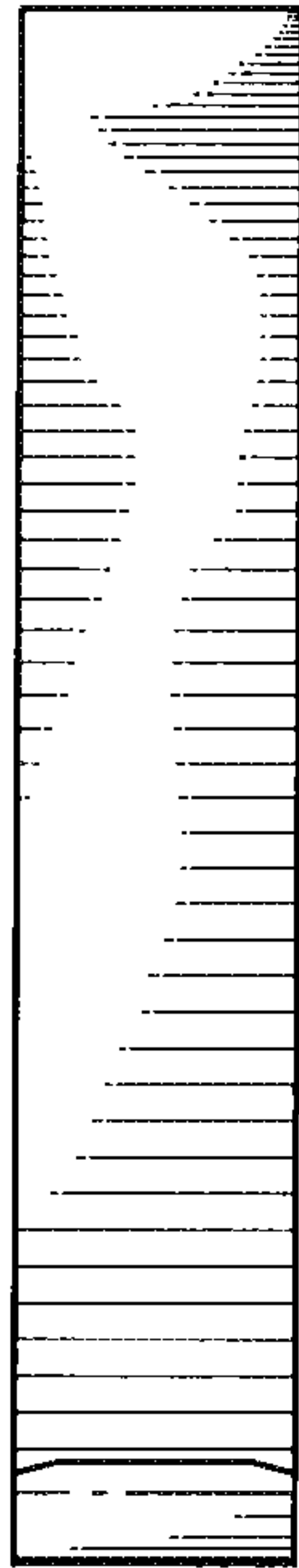


FIG. 2

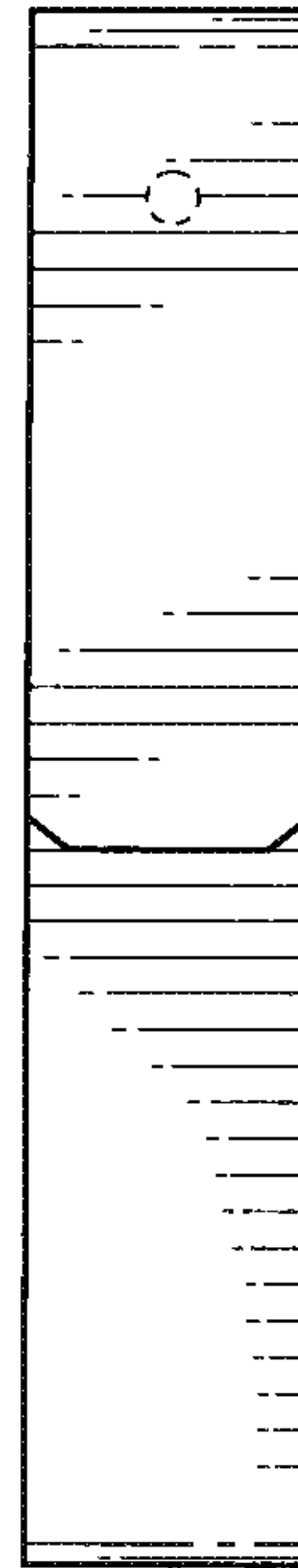


FIG. 3

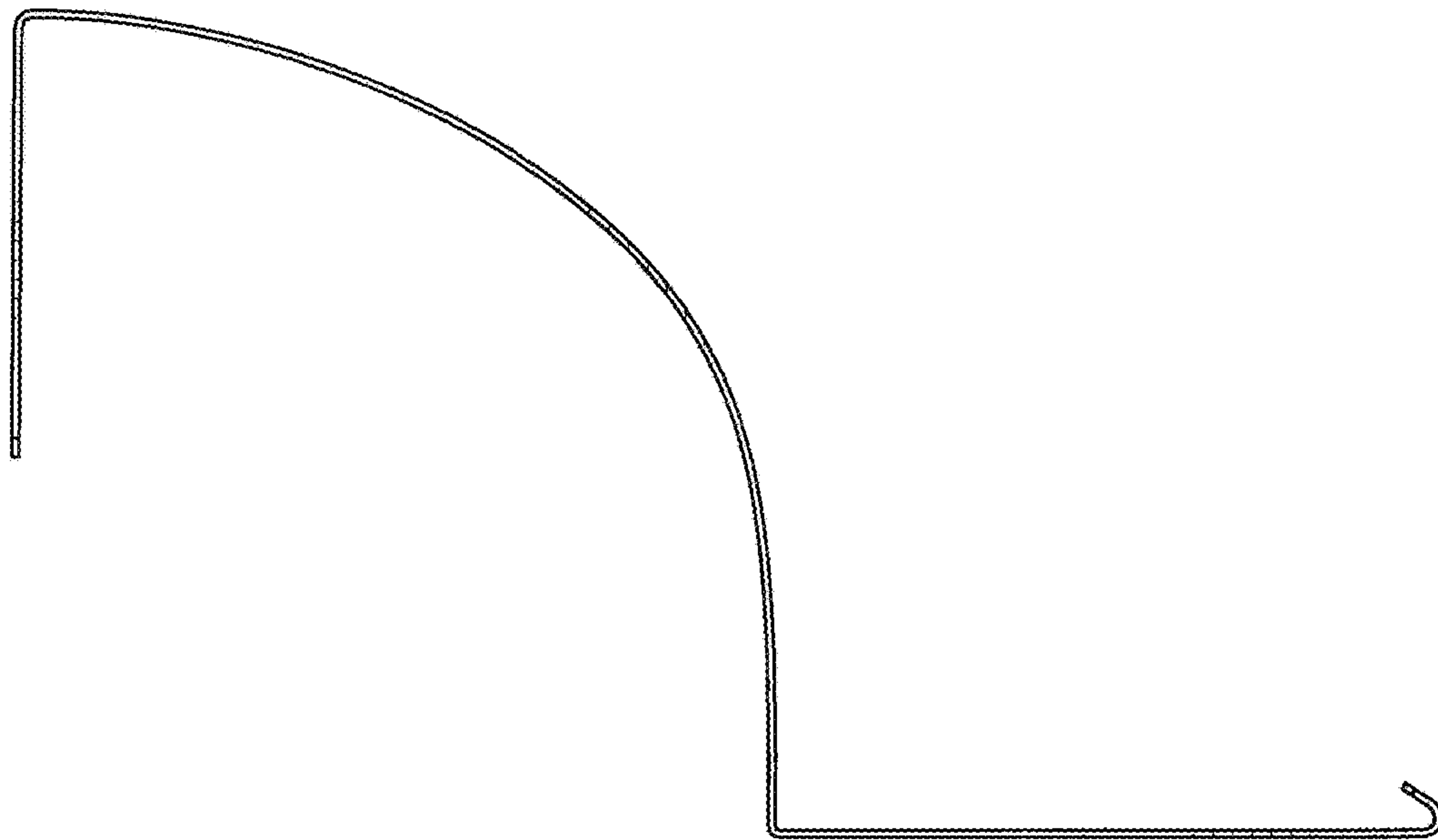


FIG. 4

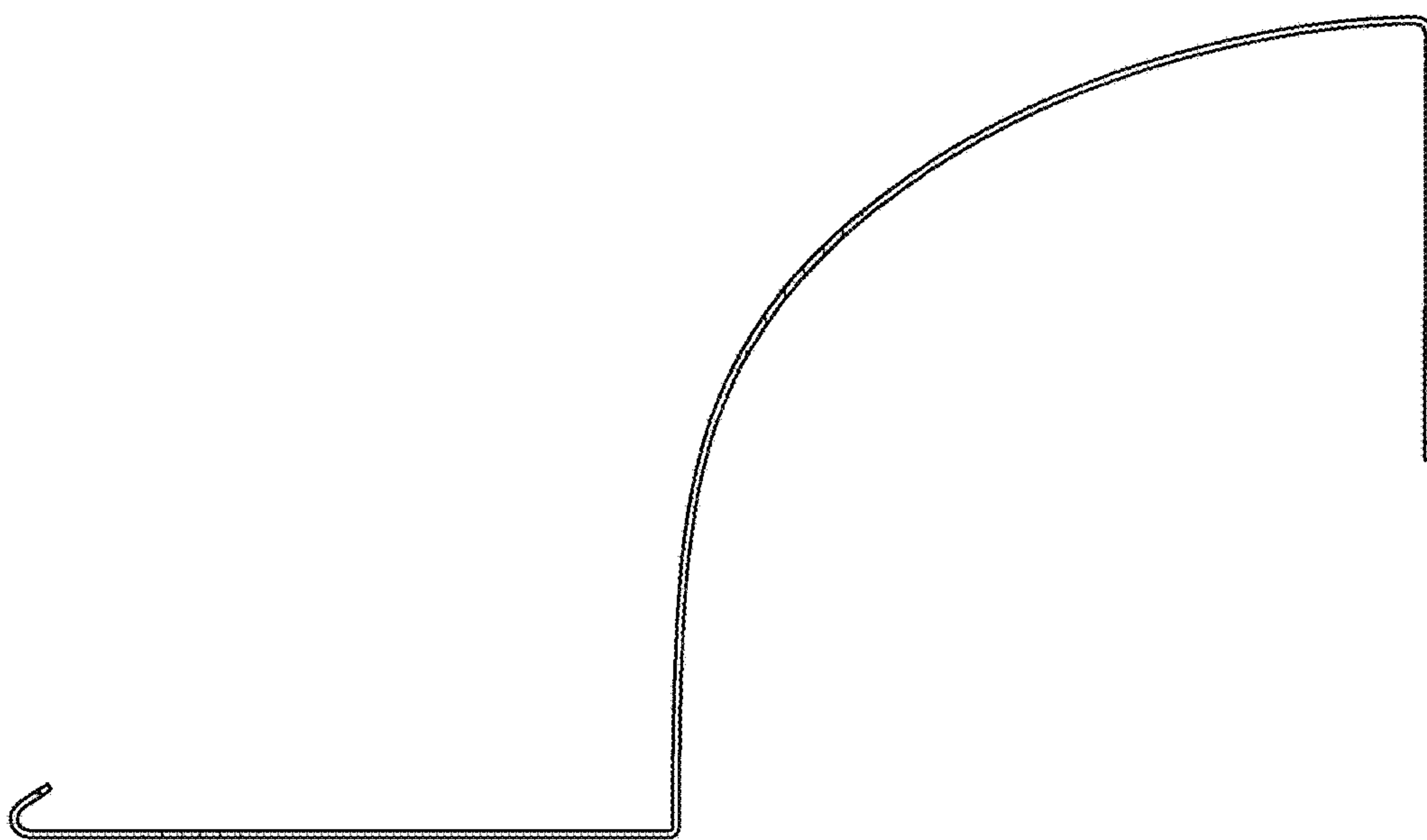


FIG. 5

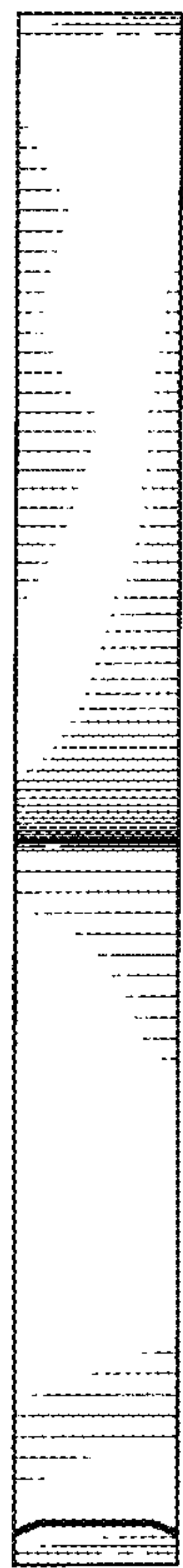


FIG. 6

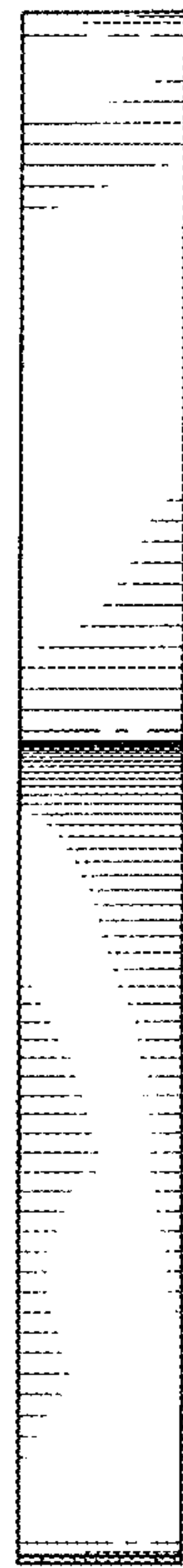


FIG. 7