



US00D804218S

(12) **United States Design Patent** (10) **Patent No.:** **US D804,218 S**
Worden, IV et al. (45) **Date of Patent:** **** Dec. 5, 2017**

- (54) **WIPES DISPENSER WITH DIAPER POUCH**
- (71) Applicant: **Helen of Troy Limited**, Belleville, St. Michael (BB)
- (72) Inventors: **Morris Elijah Worden, IV**, New York, NY (US); **Marie Gabrielle Yvonne Bachoc**, Brooklyn, NY (US); **Heidi Serene Farrell**, Brooklyn, NY (US)
- (73) Assignee: **Helen of Troy Limited**, Belleville, St. Michael (BB)
- (**) Term: **15 Years**
- (21) Appl. No.: **29/538,717**
- (22) Filed: **Sep. 8, 2015**
- (51) **LOC (10) Cl.** **20-02**
- (52) **U.S. Cl.**
USPC **D6/518**
- (58) **Field of Classification Search**
USPC D6/515, 518-523; D3/201; 206/389, 206/391, 407, 409; 312/34.1, 34.8; 211/85.5, 59.2; 221/92, 97, 185, 282, 221/284; 242/159, 160.2, 550, 560, 590, 242/594, 59, 588, 598, 598.3, 598.65
CPC B65D 15/24; B65D 1/00; A47K 10/32; A47K 2010/3266; A45C 1/00
See application file for complete search history.

6,604,628	B1 *	8/2003	Tanaka	A47K 10/421 206/207
D479,420	S *	9/2003	White	D6/518
D485,461	S *	1/2004	Sams	D6/515
D525,464	S *	7/2006	Khurana	D6/518
D545,097	S *	6/2007	Schlaupitz	D6/518
D546,602	S *	7/2007	Chasid	D6/518
D673,430	S *	1/2013	Glassman	D3/201
D688,063	S *	8/2013	Delaney, III	D6/518
8,844,745	B2 *	9/2014	Peters	B65D 43/164 206/233
8,973,242	B2 *	3/2015	Damaghi	B65D 47/0871 29/434
9,277,843	B2 *	3/2016	Mays	A47K 10/421
D758,064	S *	6/2016	Zwetzig	D3/201
D758,065	S *	6/2016	Zwetzig	D3/201

(Continued)

Primary Examiner — David G Muller
Assistant Examiner — Nathan M Johnston
(74) *Attorney, Agent, or Firm* — Rankin, Hill & Clark LLP

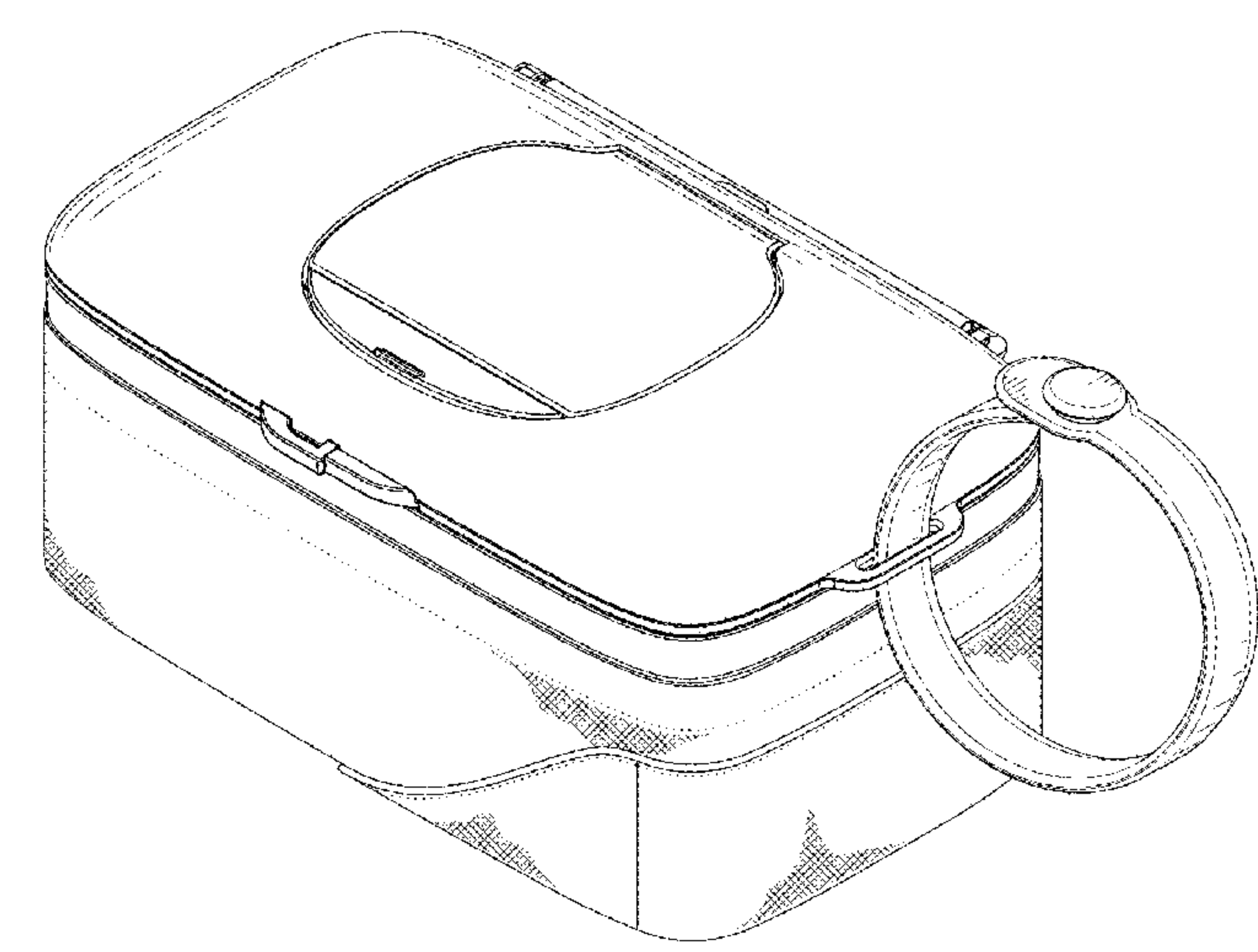
(57) **CLAIM**
The ornamental design for a wipes dispenser with diaper pouch, as shown and described.

DESCRIPTION

FIG. 1 is a perspective view of a wipes dispenser with diaper pouch;
FIG. 2 is a front elevation view thereof;
FIG. 3 is a rear elevation view thereof;
FIG. 4 is a left side elevation view thereof;
FIG. 5 is a right side elevation view thereof;
FIG. 6 is a top plan view thereof; and,
FIG. 7 is a bottom plan view thereof.
The broken lines immediately adjacent to the claimed areas in FIG. 3 represent the boundaries of the claimed design. The broken lines in the figures illustrate the portions of the design that form no part of the claimed design. None of the broken lines form any part of the claimed design.

1 Claim, 6 Drawing Sheets

- (56) **References Cited**
U.S. PATENT DOCUMENTS
- D188,917 S * 9/1960 Guyar D6/518
- D423,772 S * 5/2000 Cooper D3/201
- D443,450 S * 6/2001 Ruhotas D6/515
- D443,451 S * 6/2001 Buck D6/518
- D450,960 S * 11/2001 Boyea D6/515
- D468,567 S * 1/2003 Trevett D6/515
- D473,740 S * 4/2003 Ruhotas D6/515



(56)

References Cited

U.S. PATENT DOCUMENTS

2008/0001019 A1* 1/2008 Brown A47K 10/3836
242/597.8
2012/0160864 A1* 6/2012 Shoaf A47K 10/421
221/45
2015/0173573 A1* 6/2015 Dunn A47K 10/421
206/581
2015/0272405 A1* 10/2015 Powling A47K 10/421
221/63
2015/0272406 A1* 10/2015 Hill A47K 10/421
221/48
2016/0052699 A1* 2/2016 Neitzel B65D 83/0805
206/518

* cited by examiner

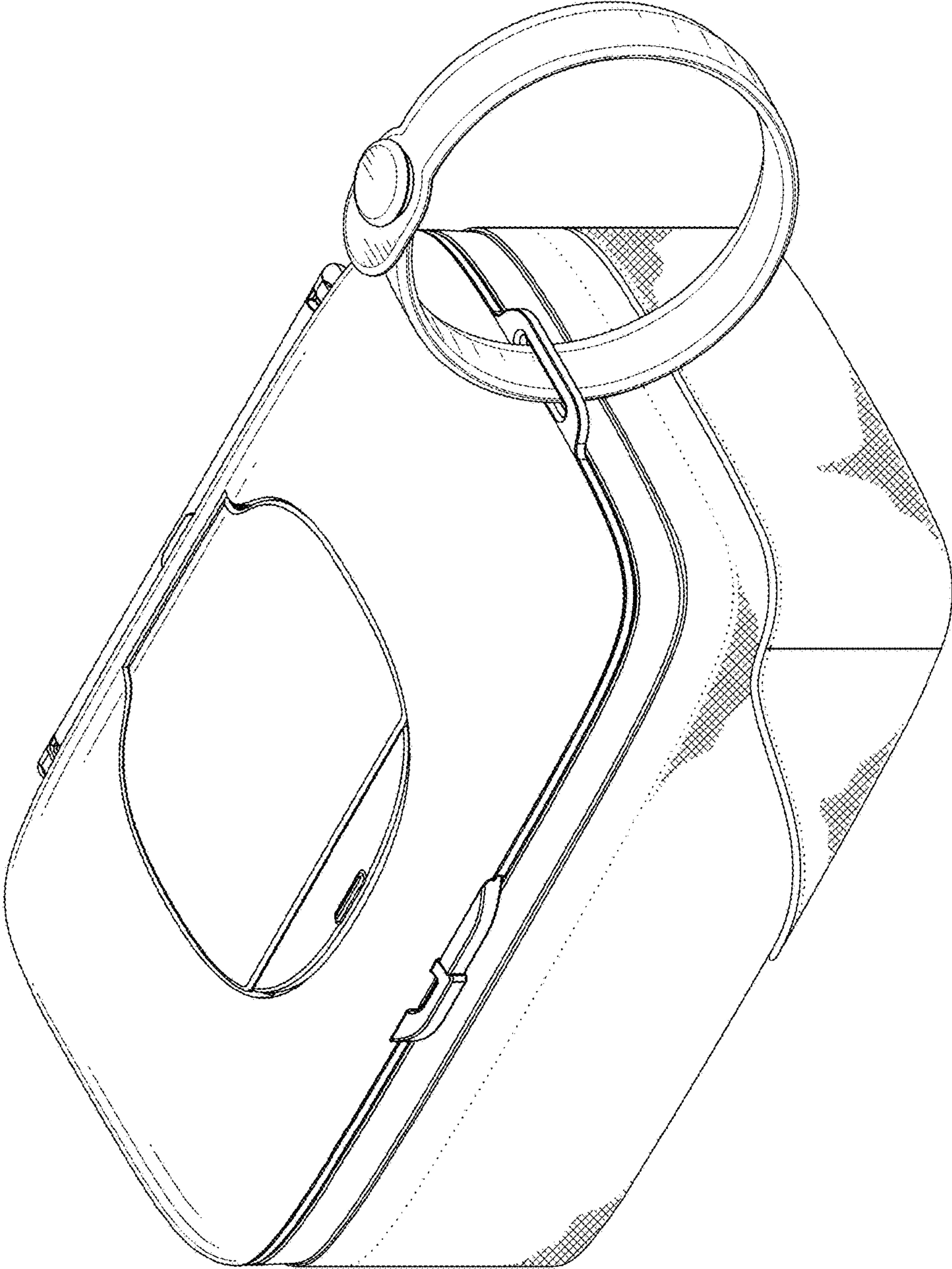


FIG.1



FIG. 2

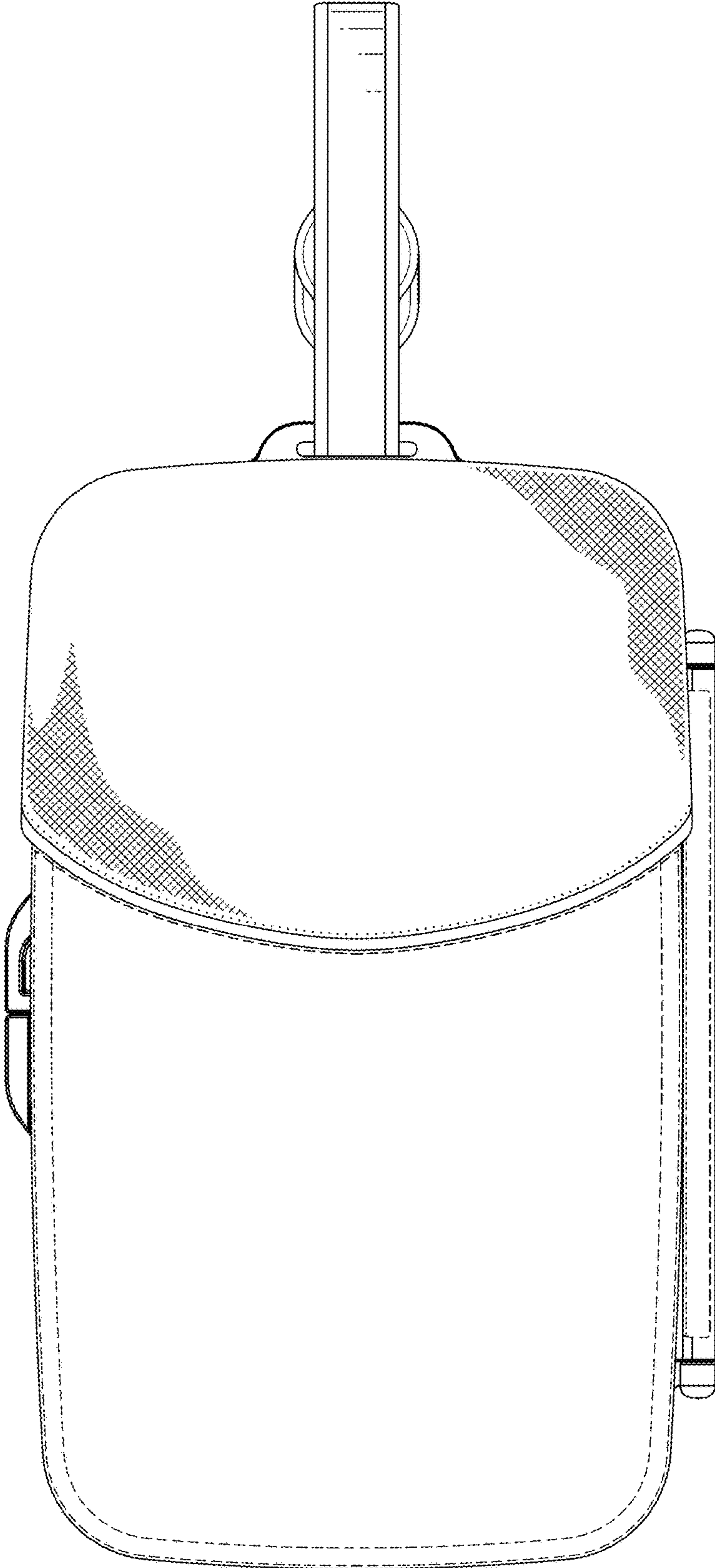


FIG. 3

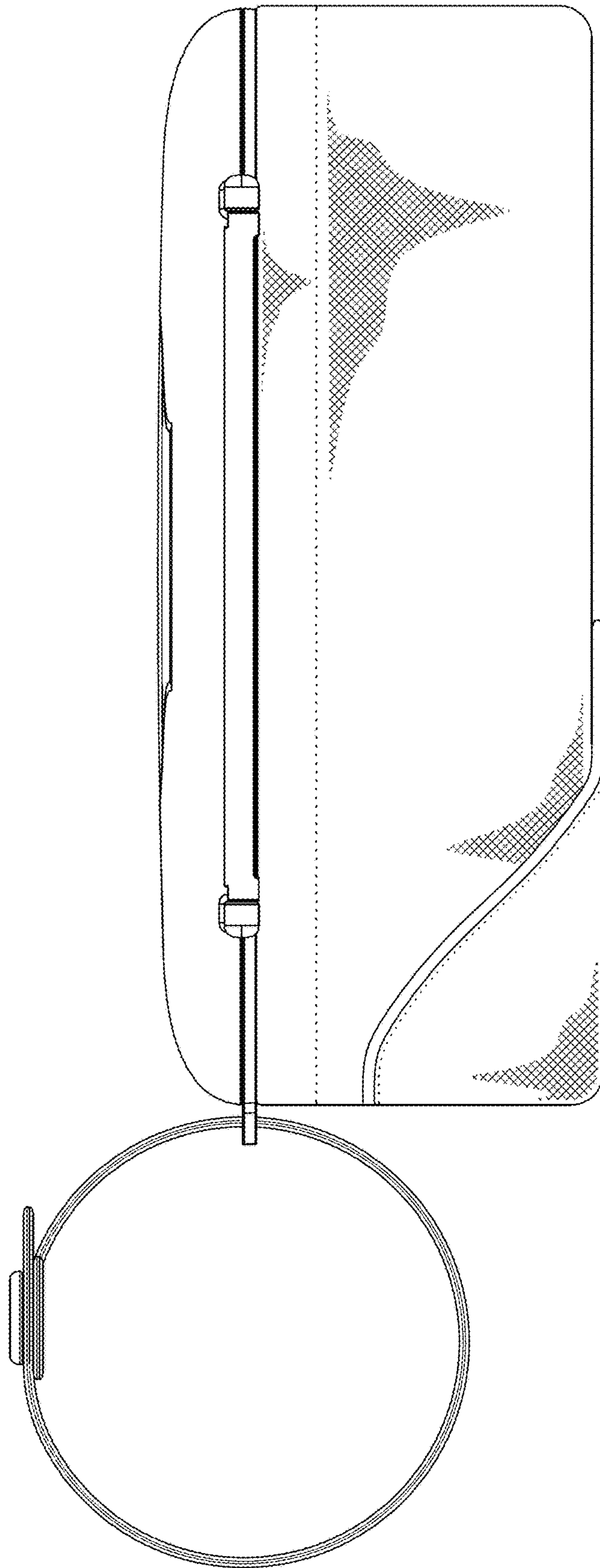


FIG.4

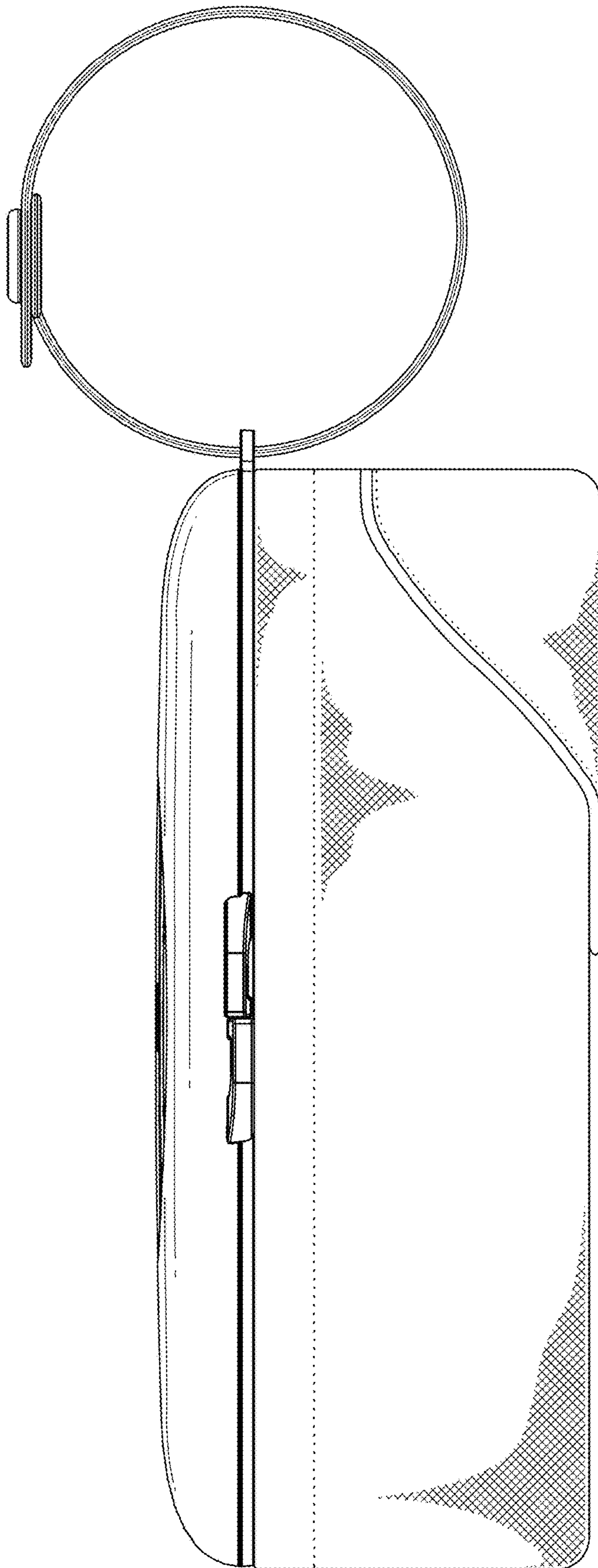


FIG. 5

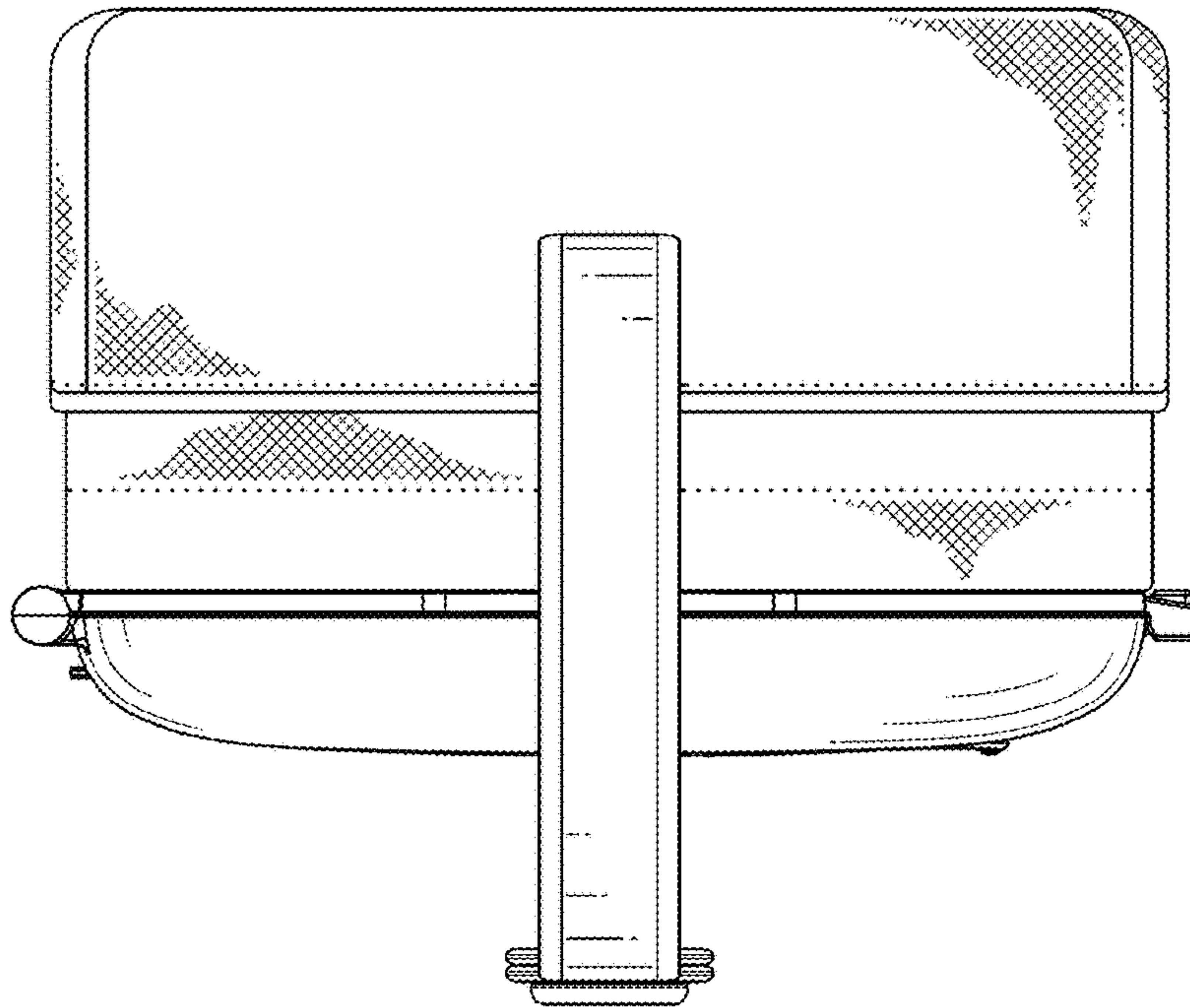


FIG. 6

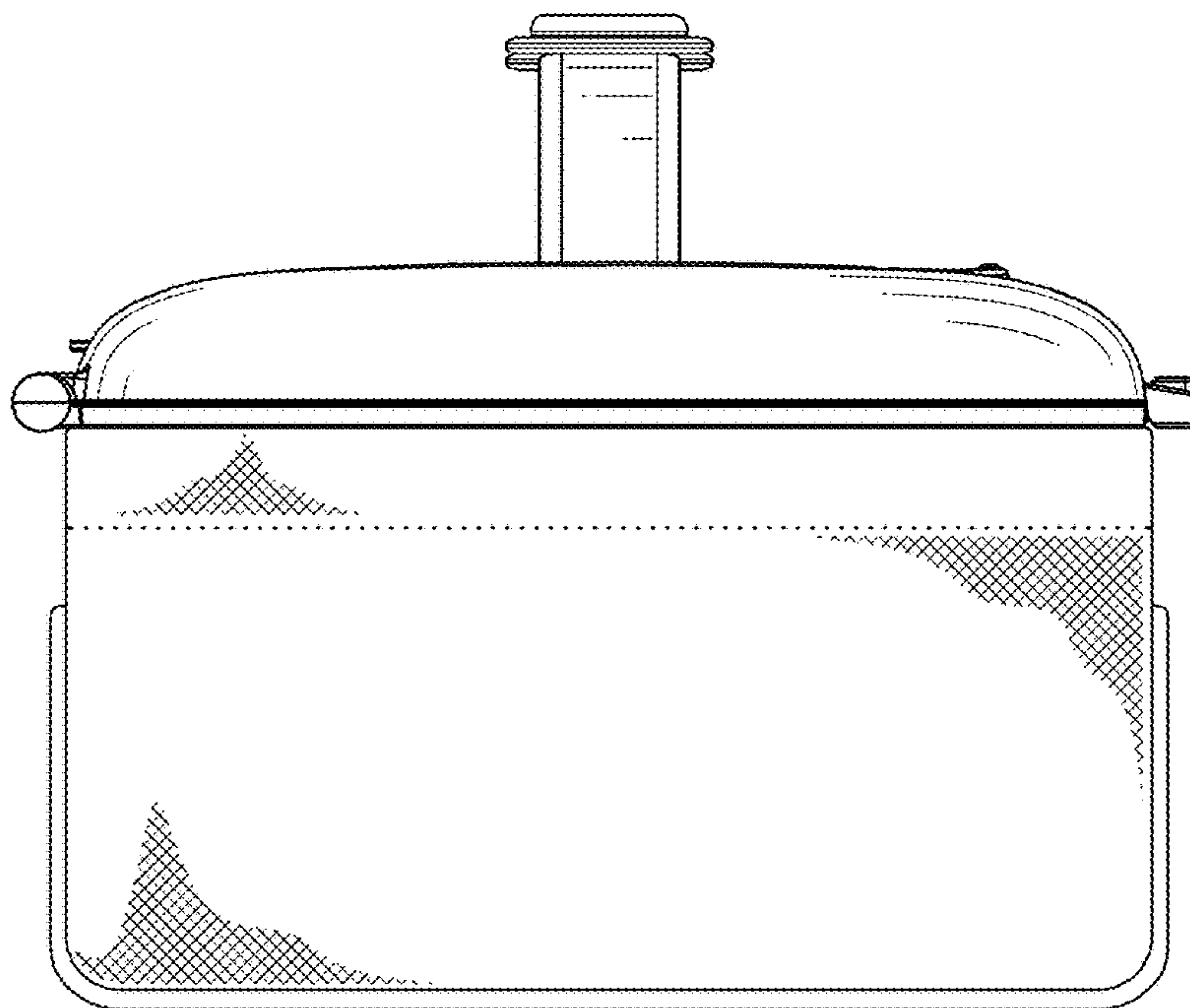


FIG. 7