



US00D804216S

(12) **United States Design Patent**
Bernardi

(10) **Patent No.:** **US D804,216 S**

(45) **Date of Patent:** **** Dec. 5, 2017**

(54) **LOUNGE CHAIR**

(71) Applicant: **J & R Household Co., Ltd.**, Shanghai (CN)

(72) Inventor: **Lodovico Bernardi**, Vittorio Veneto (IT)

(73) Assignee: **J & R Household CO., LTD.**, Shanghai (CN)

(**) Term: **15 Years**

(21) Appl. No.: **29/589,088**

(22) Filed: **Dec. 28, 2016**

(51) **LOC (10) Cl.** **06-01**

(52) **U.S. Cl.**
USPC **D6/379**

(58) **Field of Classification Search**
USPC D6/334-336, 370, 371, 372, 373, 374, D6/375, 379, 716, 716.1, 716.2, 716.3, D6/716.4
CPC .. A47C 3/04; A47C 4/028; A47C 4/03; A47C 4/06; A47C 5/046; A47C 4/025; A47C 4/027; A47C 7/021; A47C 7/16; A47C 7/18; A47C 7/54

See application file for complete search history.

(56) **References Cited**

U.S. PATENT DOCUMENTS

D190,422 S *	5/1961	Deaton	D6/374
D193,265 S *	7/1962	Ohlsson	D6/379
D193,842 S *	10/1962	Ohlsson	D6/379
D193,843 S *	10/1962	Ohlsson	D6/379
D193,844 S *	10/1962	Ohlsson	D6/379
D250,153 S *	11/1978	Alpert	D6/379
D279,435 S *	7/1985	Giorgetti	D6/334
D291,632 S *	9/1987	Zola	D6/370
D572,030 S *	7/2008	Lowsky	D6/370

D572,935 S *	7/2008	Sargent	D6/379
D575,072 S *	8/2008	Lowsky	D6/370
D609,486 S *	2/2010	Lowsky	D6/379
D612,628 S *	3/2010	Mourgue	D6/379
D648,557 S *	11/2011	Frinier	D6/379
D657,584 S *	4/2012	Nigro	D6/370
D732,302 S *	6/2015	Lange	D6/379
2009/0051207 A1 *	2/2009	Behrens	A47C 4/028 297/452.56

* cited by examiner

Primary Examiner — Mimoso De

(74) *Attorney, Agent, or Firm* — Loza & Loza, LLP; Michael F. Fedrick

(57) **CLAIM**

The ornamental design for a lounge chair, as shown and described.

DESCRIPTION

FIG. 1 is a perspective view of the lounge chair of the present invention, without cushions;
 FIG. 2 is a front elevation view thereof;
 FIG. 3 is a rear elevation view thereof;
 FIG. 4 is a left side view thereof;
 FIG. 5 is a right side view thereof;
 FIG. 6 is a top view thereof;
 FIG. 7 is a bottom view thereof;
 FIG. 8 is a perspective view of the lounge chair of the present invention, with cushions;
 FIG. 9 is a front elevation view thereof;
 FIG. 10 is a rear elevation view thereof;
 FIG. 11 is a left side view thereof;
 FIG. 12 is a right side view thereof;
 FIG. 13 is a top view thereof; and,
 FIG. 14 is a bottom view thereof.
 FIGS. 1-7 are shown without cushions for ease of illustration.

1 Claim, 14 Drawing Sheets

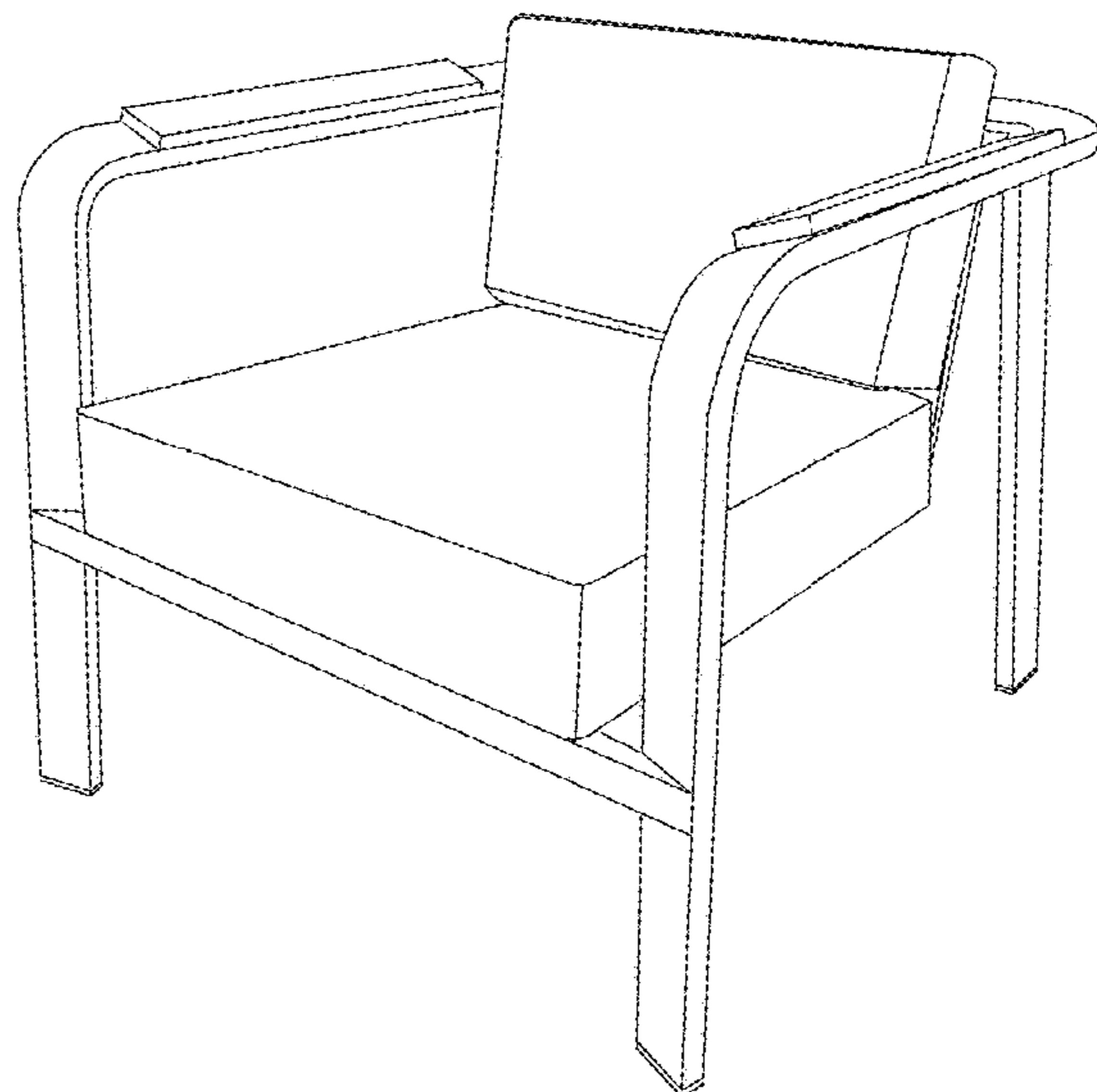
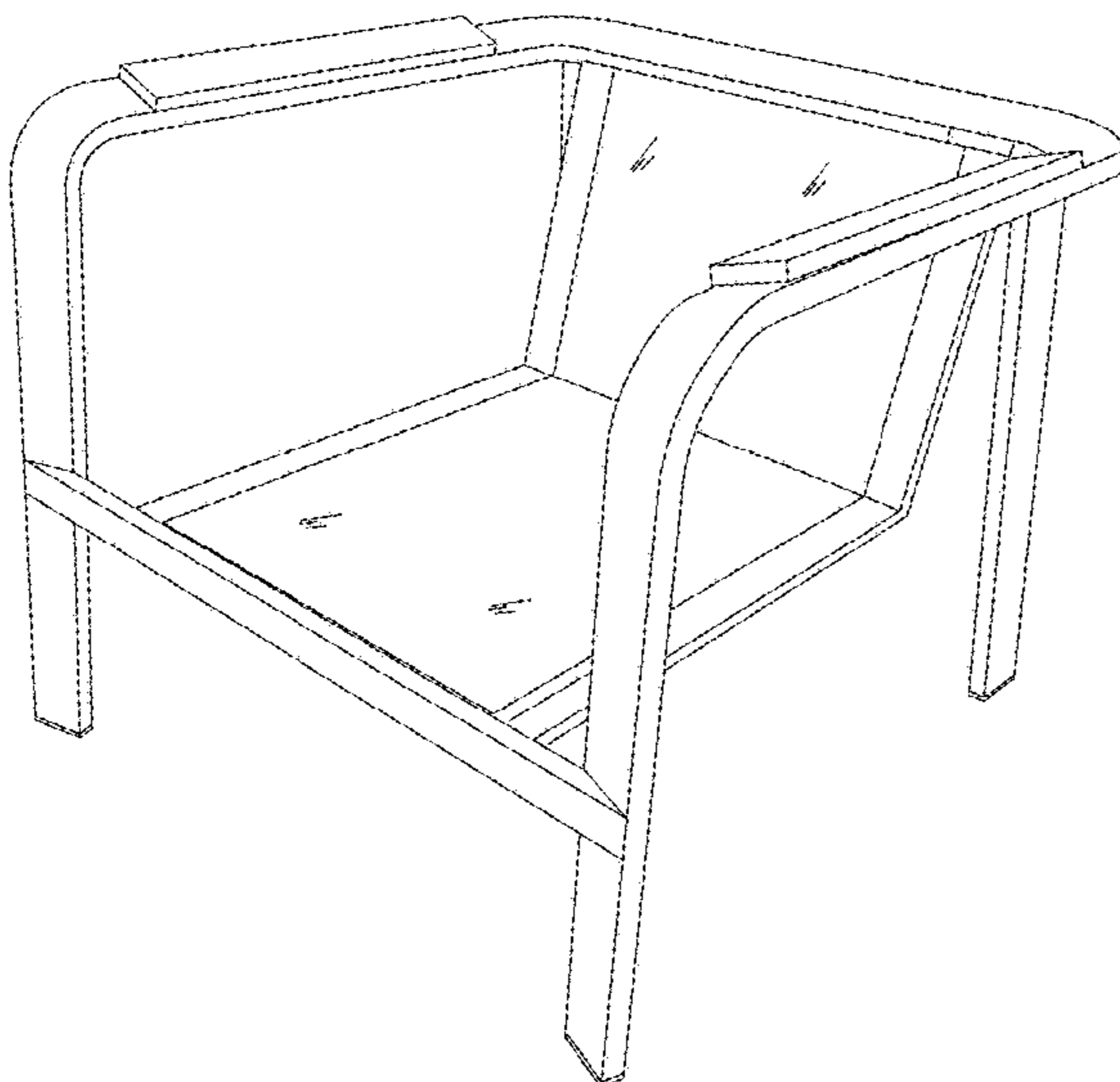


Figure 1

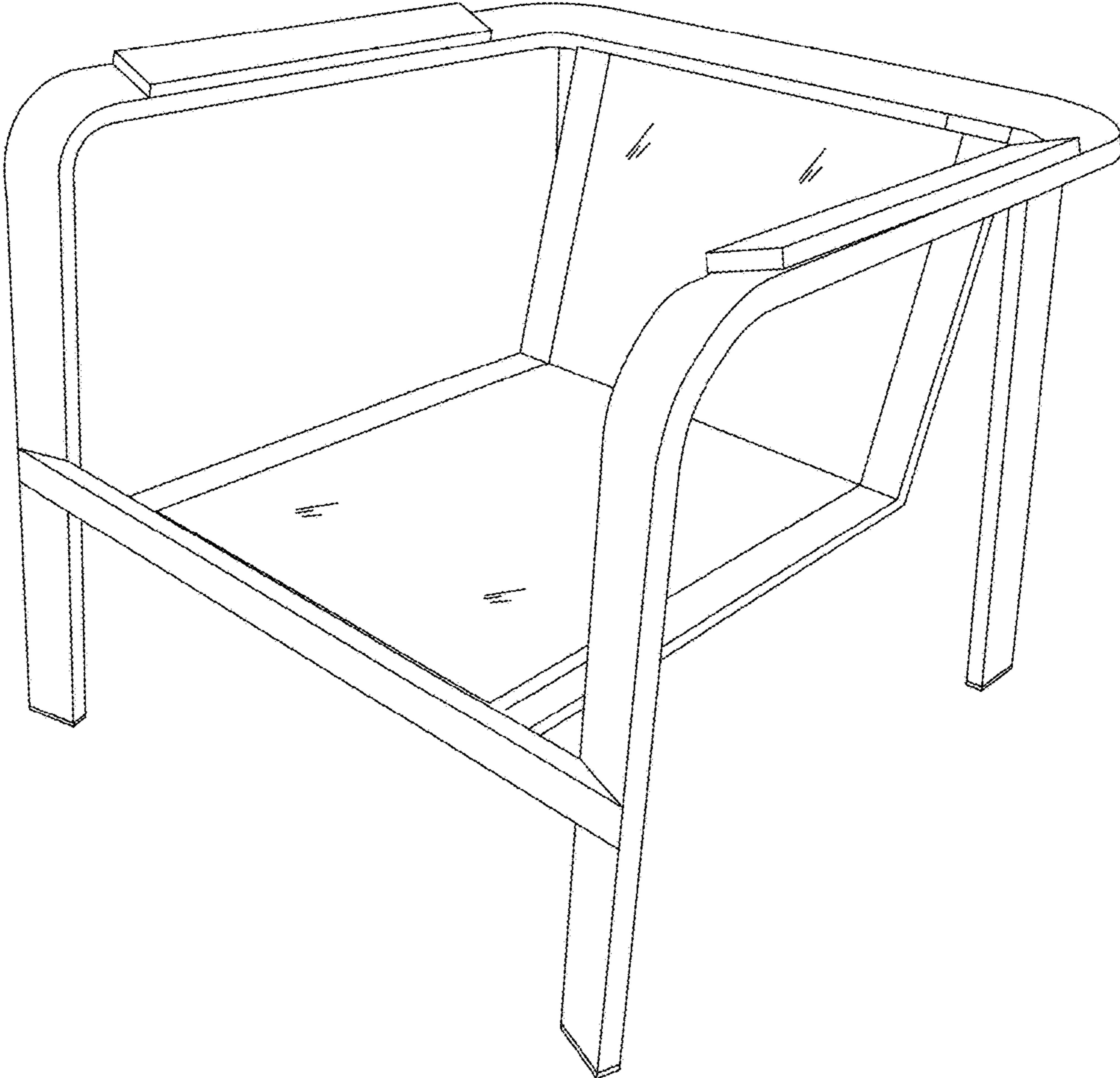


Figure 2

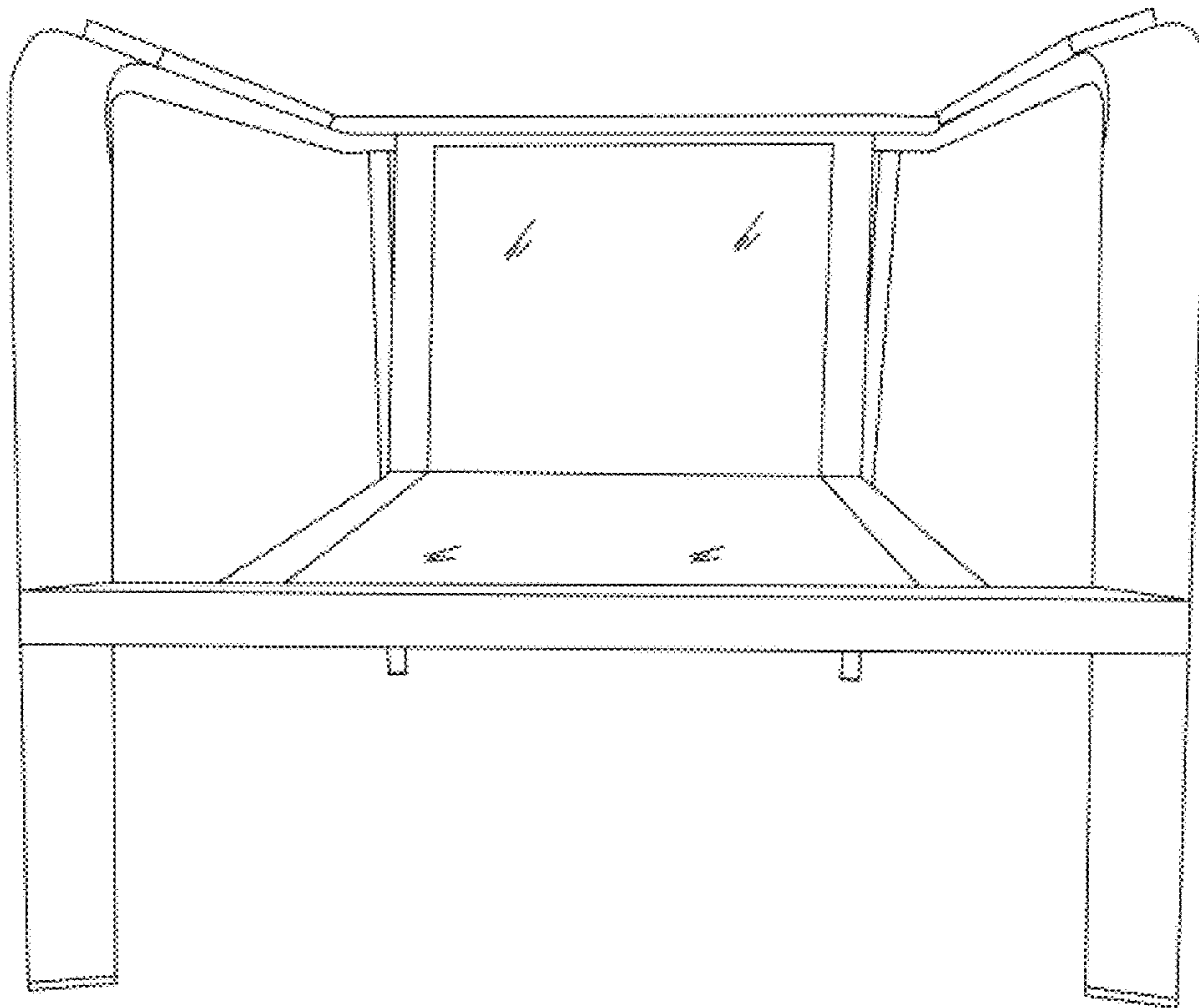


Figure 3

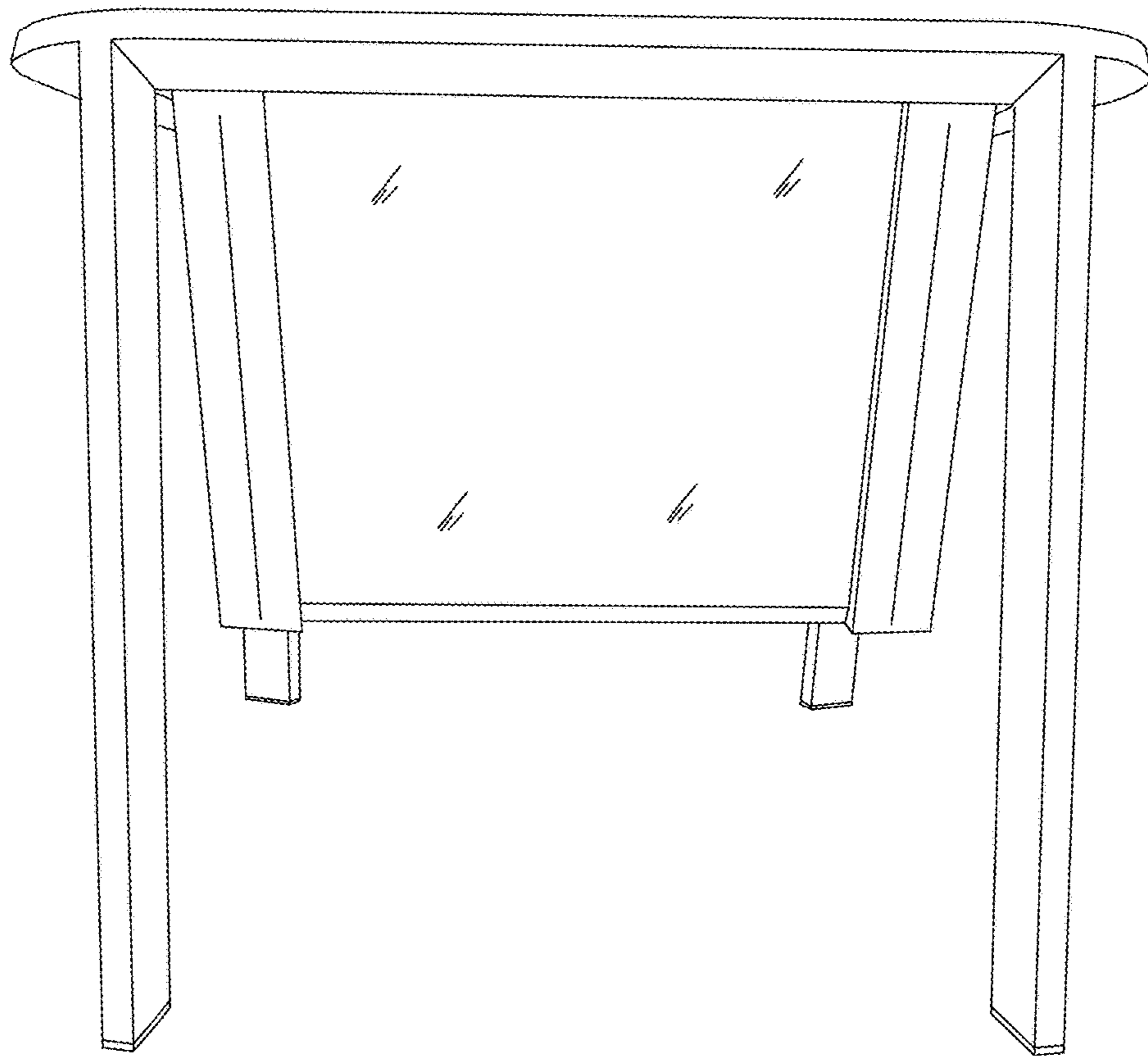


Figure 4

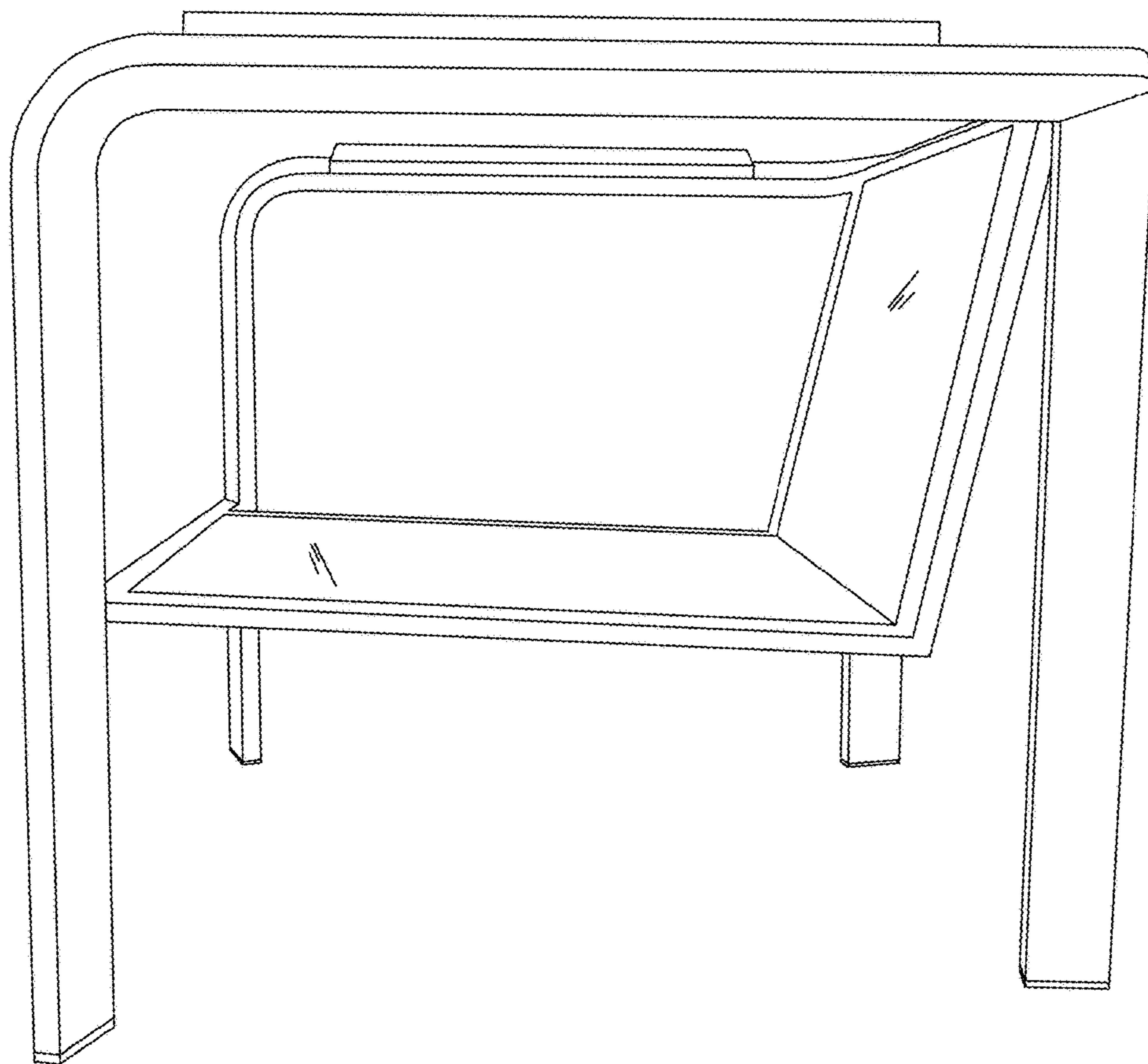


Figure 5

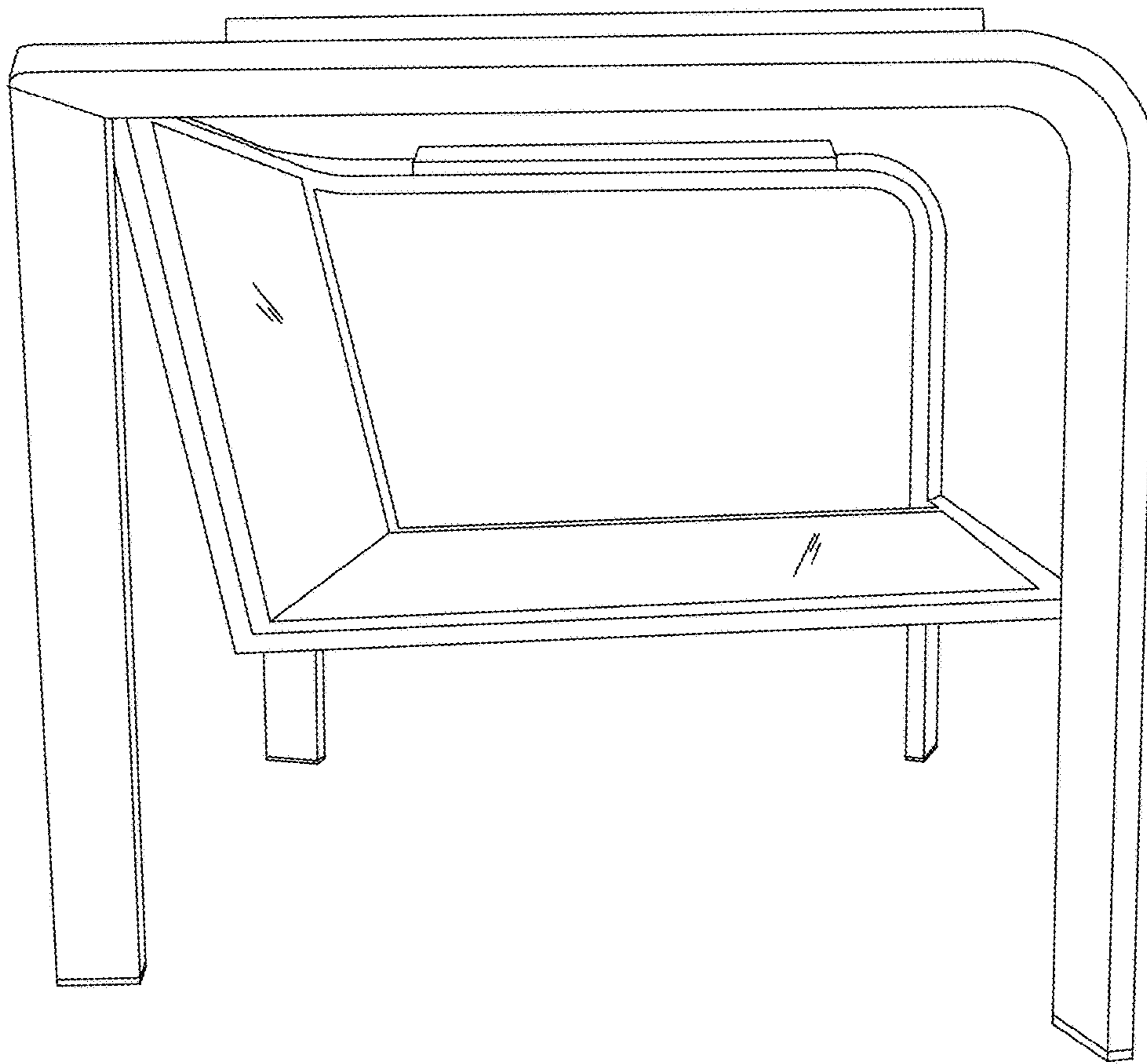


Figure 6

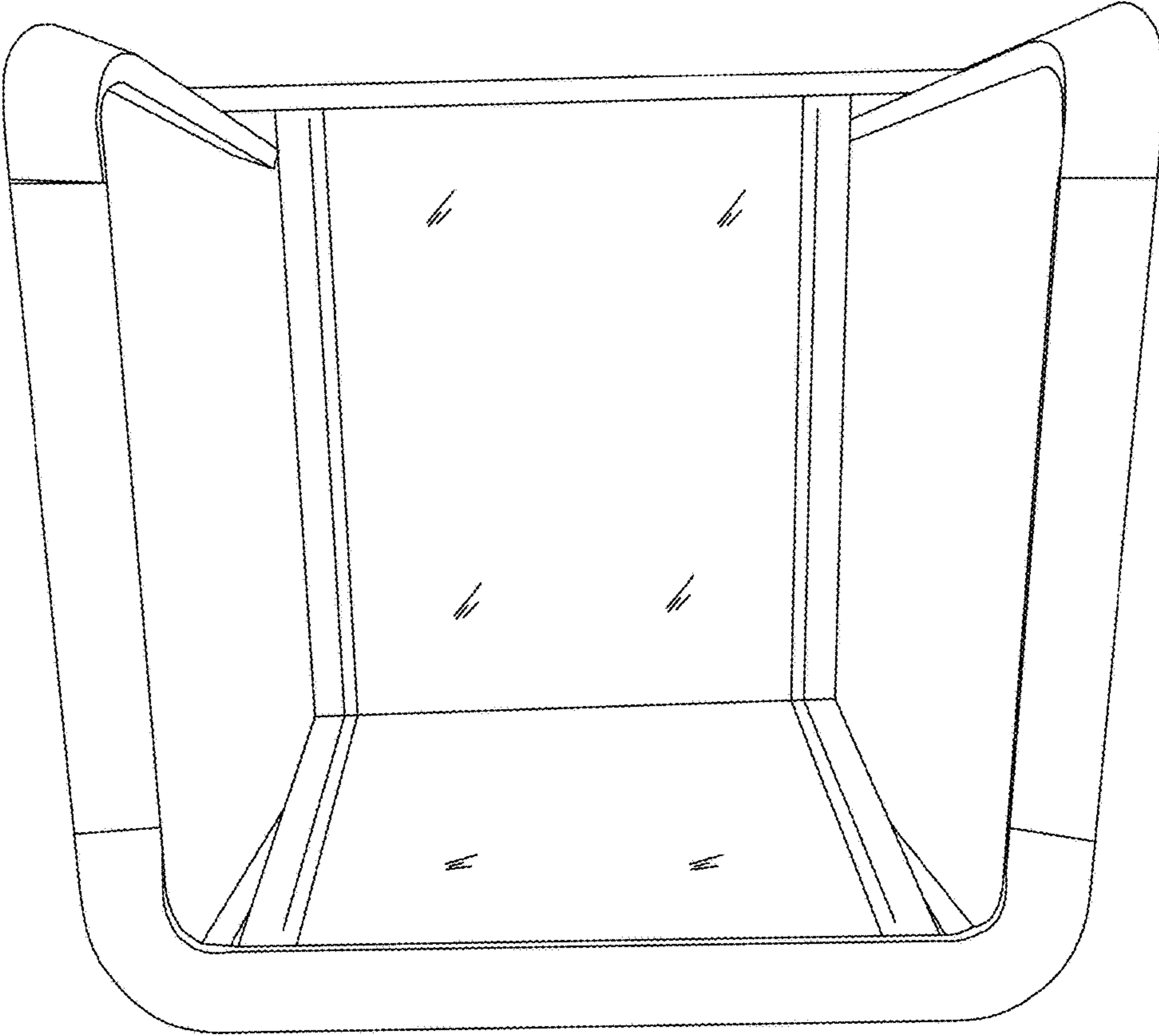


Figure 7

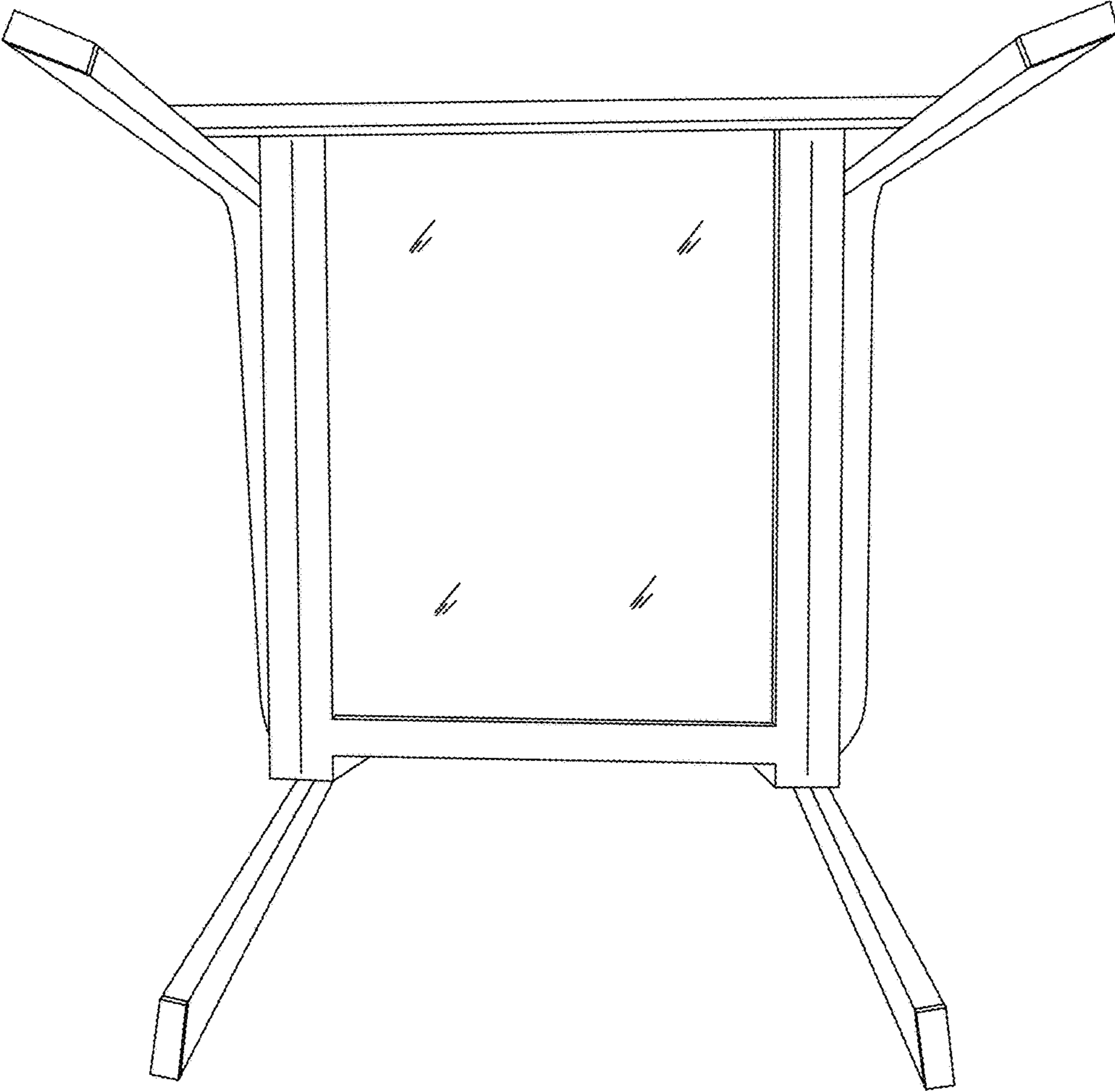


Figure 8

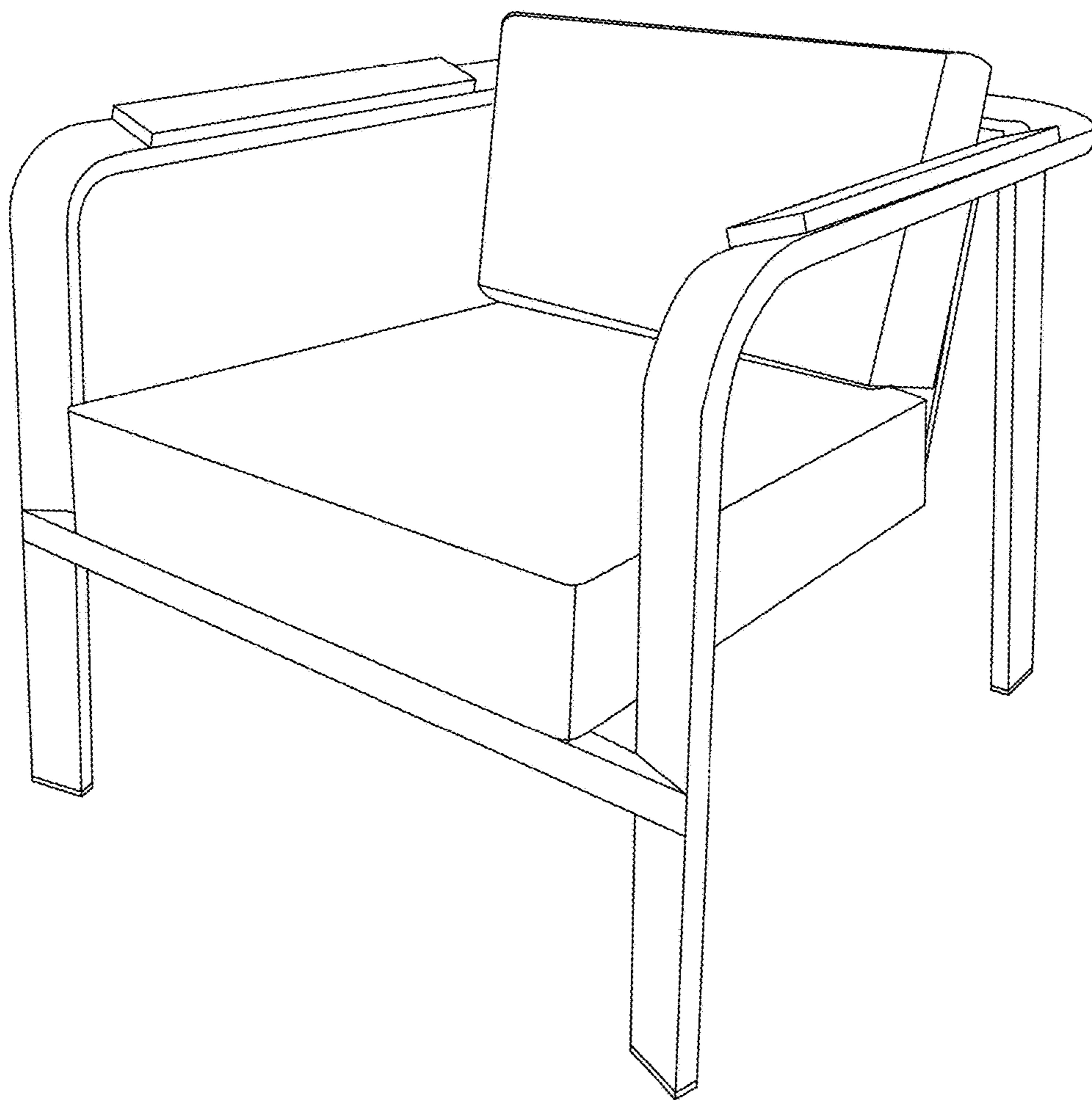


Figure 9

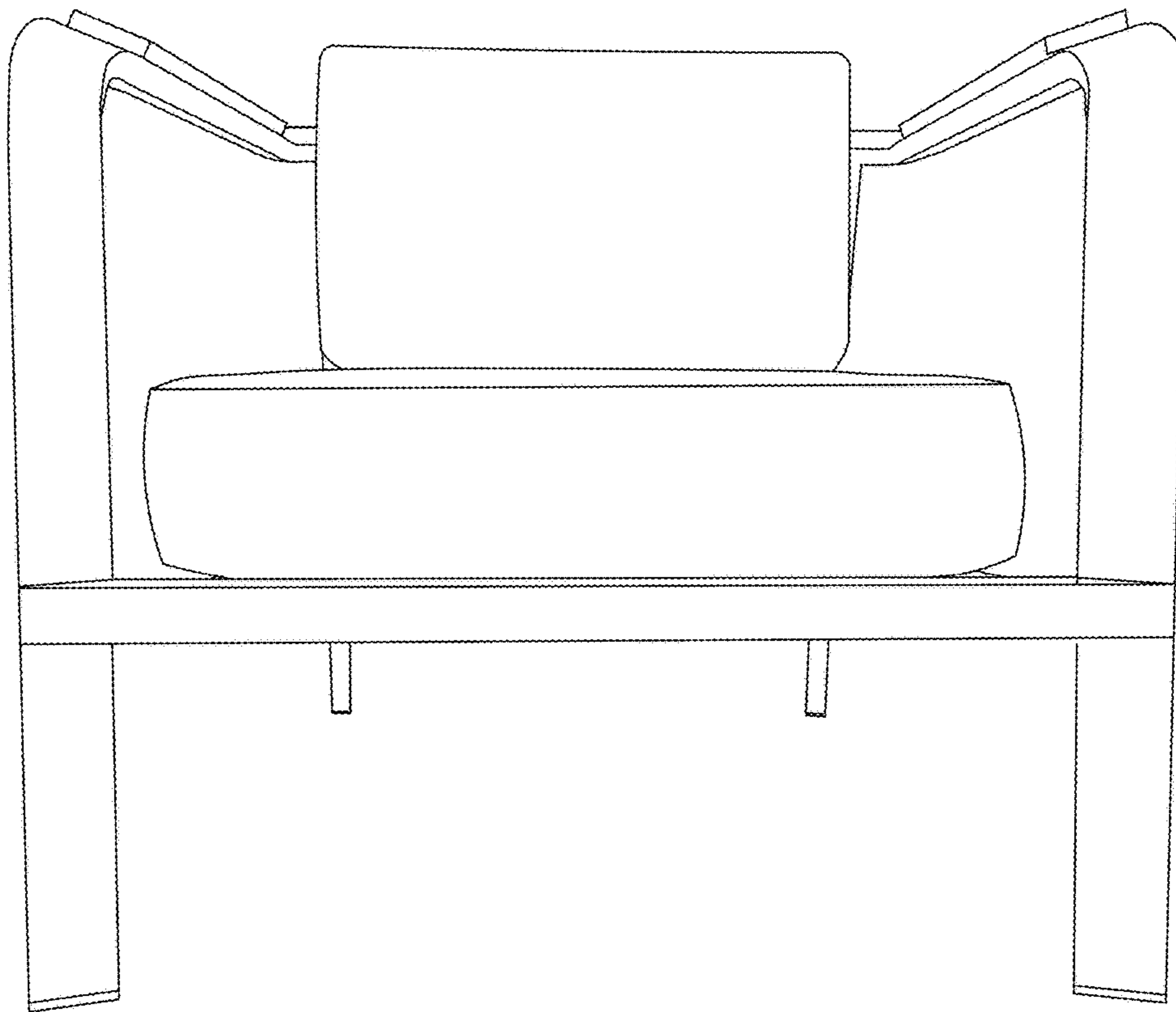


Figure 10

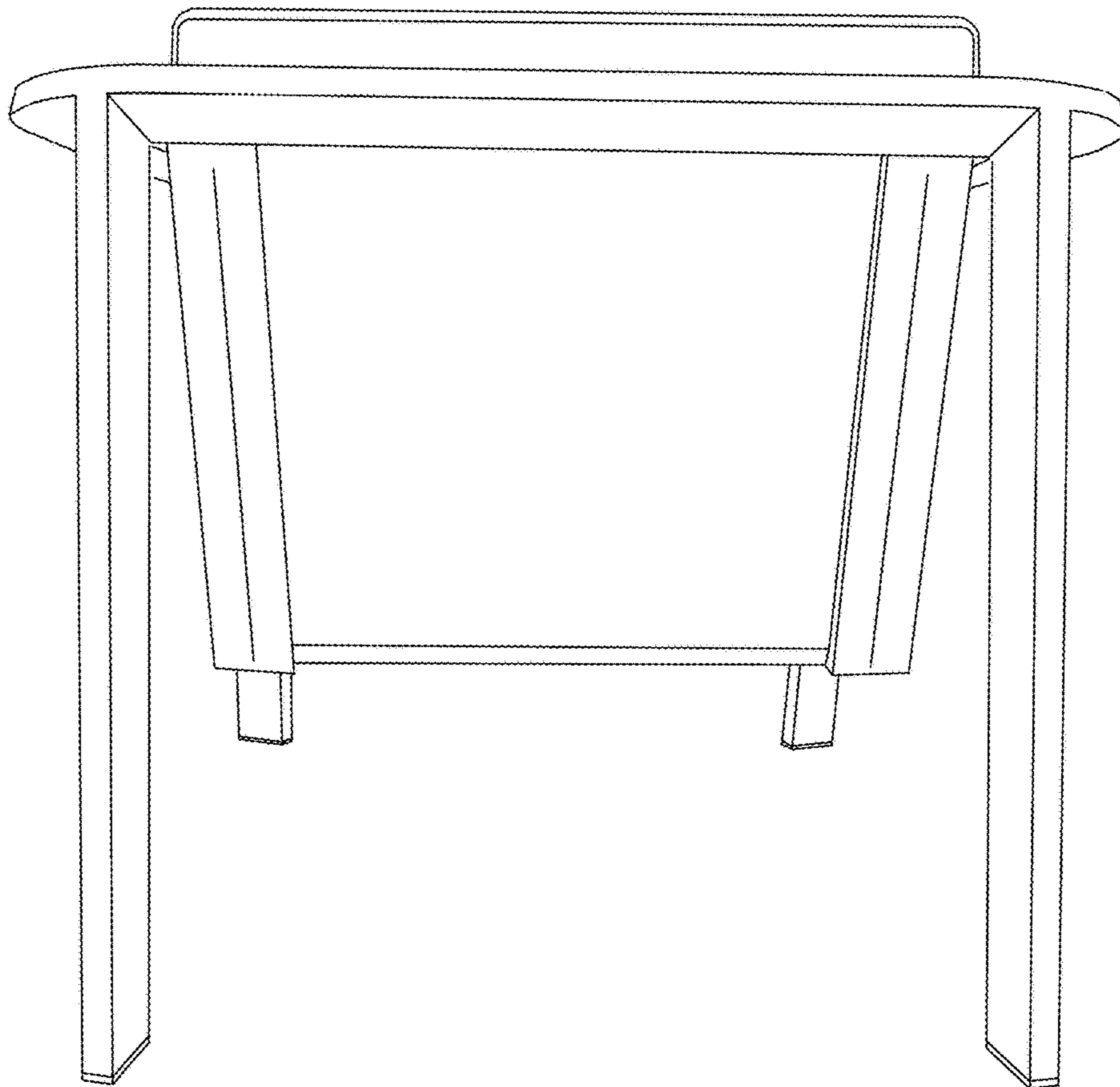


Figure 11

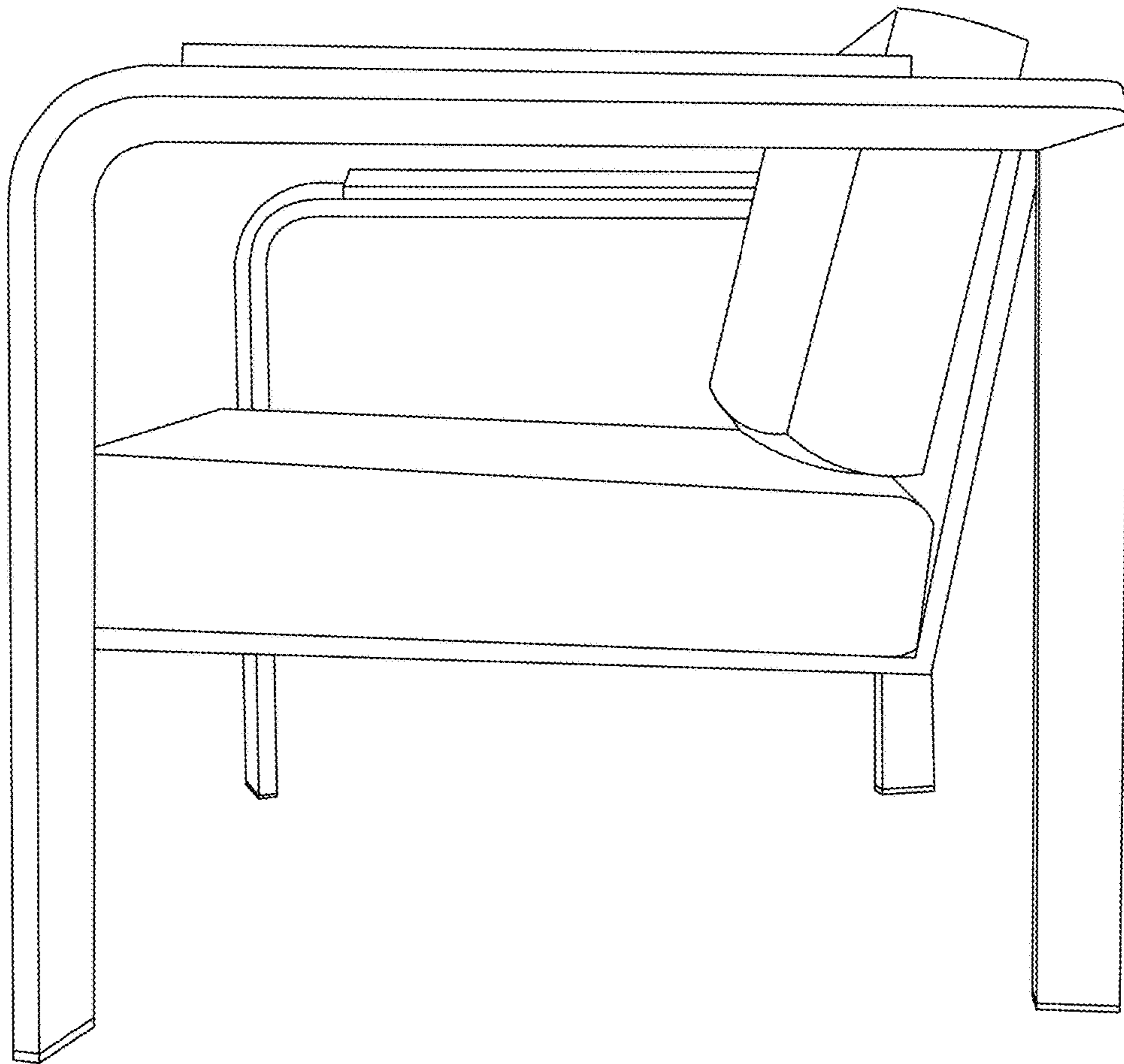


Figure 12

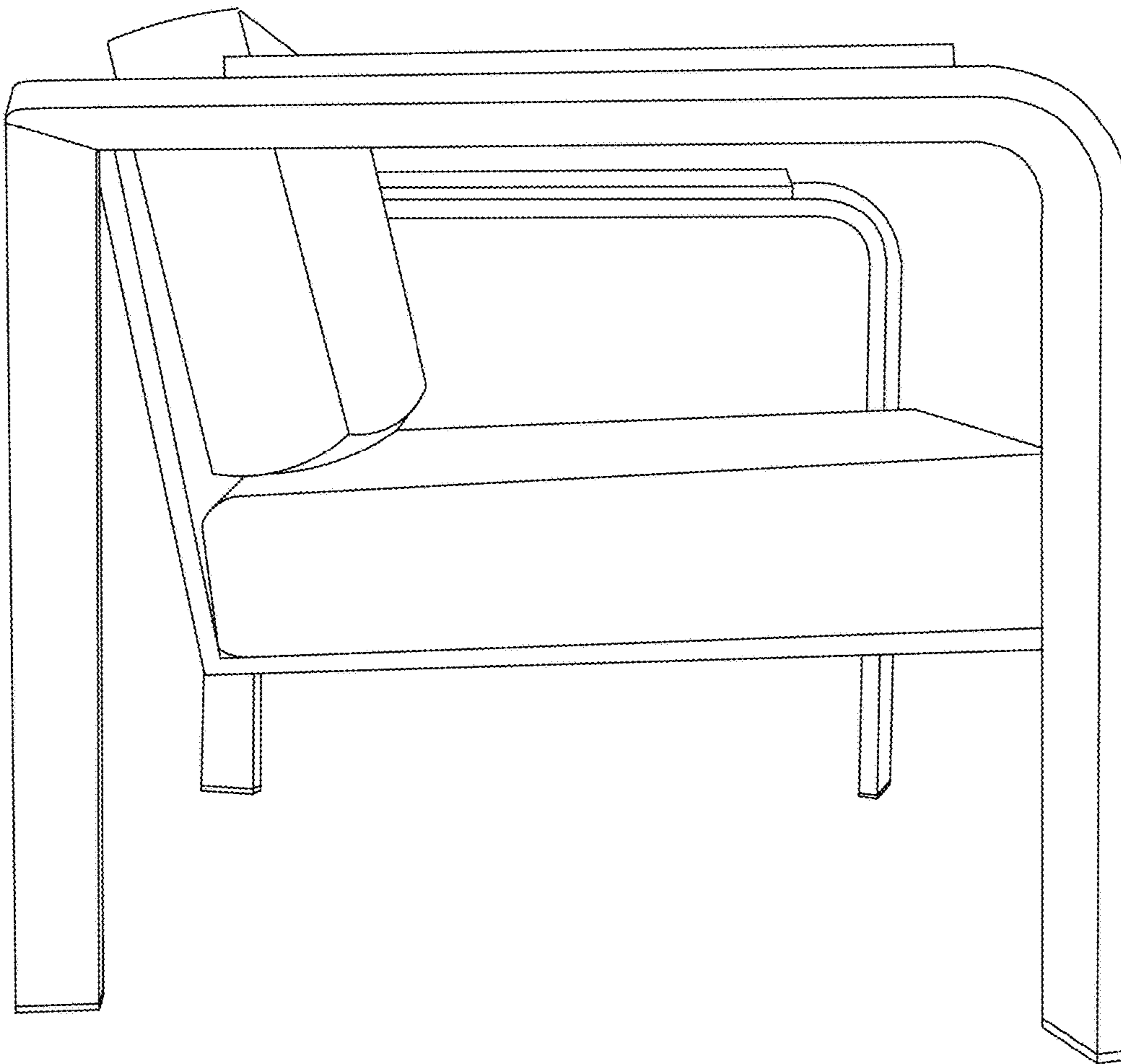


Figure 13

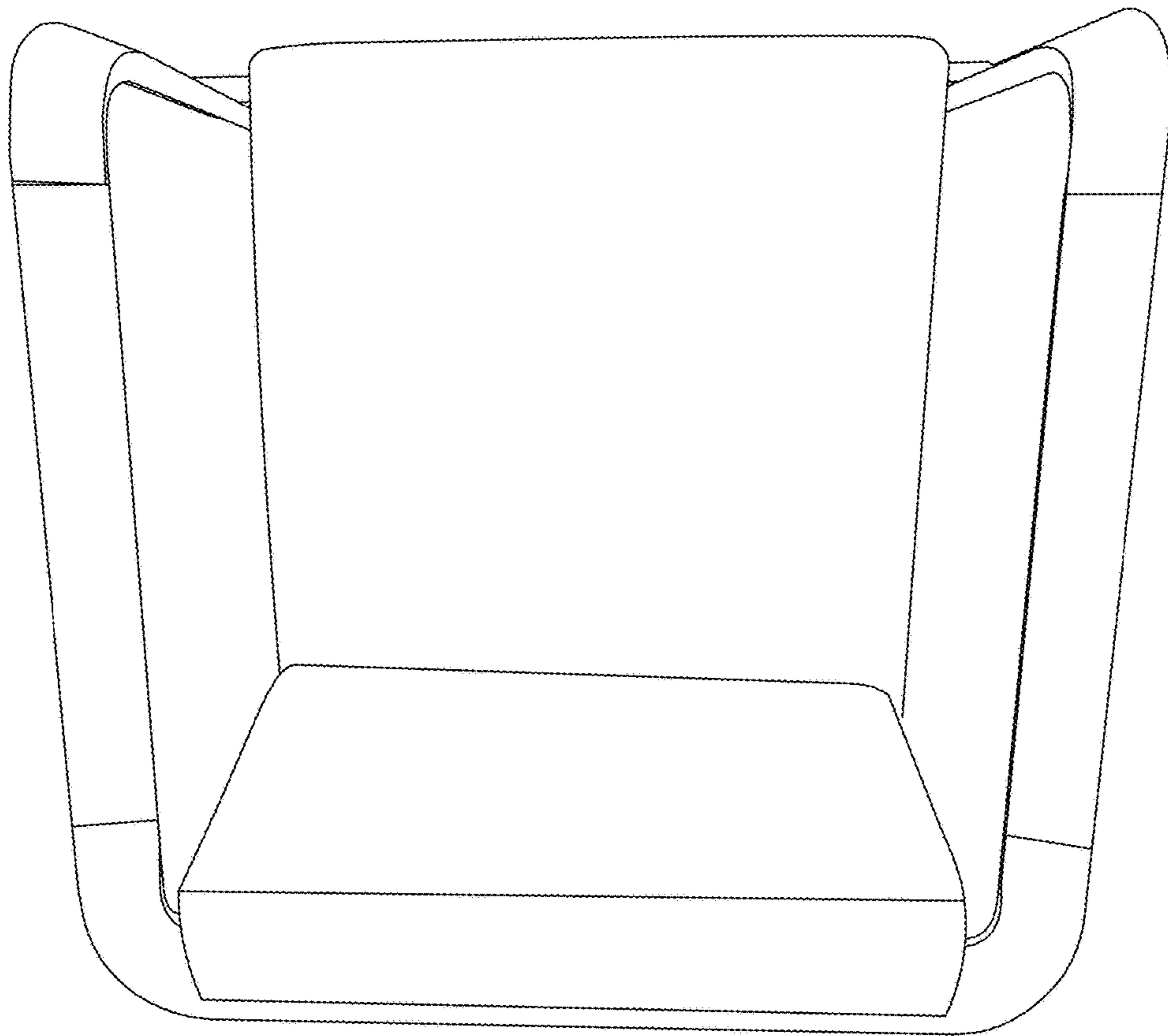


Figure 14

