



US00D804214S

(12) **United States Design Patent**
Bernardi

(10) **Patent No.:** **US D804,214 S**

(45) **Date of Patent:** **** Dec. 5, 2017**

(54) **DINING CHAIR**

(71) Applicant: **J & R Household Co., Ltd.**, Shanghai (CN)

(72) Inventor: **Lodovico Bernardi**, Vittorio Veneto (IT)

(73) Assignee: **J & R HOUSEHOLD CO., LTD.**, Shanghai (CN)

(**) Term: **15 Years**

(21) Appl. No.: **29/589,063**

(22) Filed: **Dec. 27, 2016**

(51) **LOC (10) Cl.** **06-01**

(52) **U.S. Cl.**
USPC **D6/375; D6/379**

(58) **Field of Classification Search**
USPC D6/334-336, 371, 373, 374, 375, 379, D6/716, 716.1, 716.2, 716.3, 716.4
CPC A47C 3/04; A47C 4/02; A47C 4/03; A47C 3/12; A47C 5/12; A47C 7/16; A47C 7/54
See application file for complete search history.

(56) **References Cited**

U.S. PATENT DOCUMENTS

D362,557 S * 9/1995 Escalona D6/375
D463,149 S * 9/2002 Levy D6/375

D496,172 S * 9/2004 Puer D6/375
D584,068 S * 1/2009 Figueras Mitjans D6/375
D606,329 S * 12/2009 Van Duysen D6/375
D642,818 S * 8/2011 Caldwell D6/375
D666,428 S * 9/2012 Morrison D6/375
D670,928 S * 11/2012 Montel D6/375

* cited by examiner

Primary Examiner — Mimoso De

(74) *Attorney, Agent, or Firm* — Loza & Loza, LLP;
Michael F. Fedrick

(57) **CLAIM**

The ornamental design for a dining chair, as shown and described.

DESCRIPTION

FIG. 1 is a perspective view of the present invention;
FIG. 2 is a front elevation view thereof;
FIG. 3 is a rear view thereof;
FIG. 4 is a left side view thereof;
FIG. 5 is a right side view thereof;
FIG. 6 is a top plan view thereof; and,
FIG. 7 is a bottom plan view thereof.

1 Claim, 7 Drawing Sheets

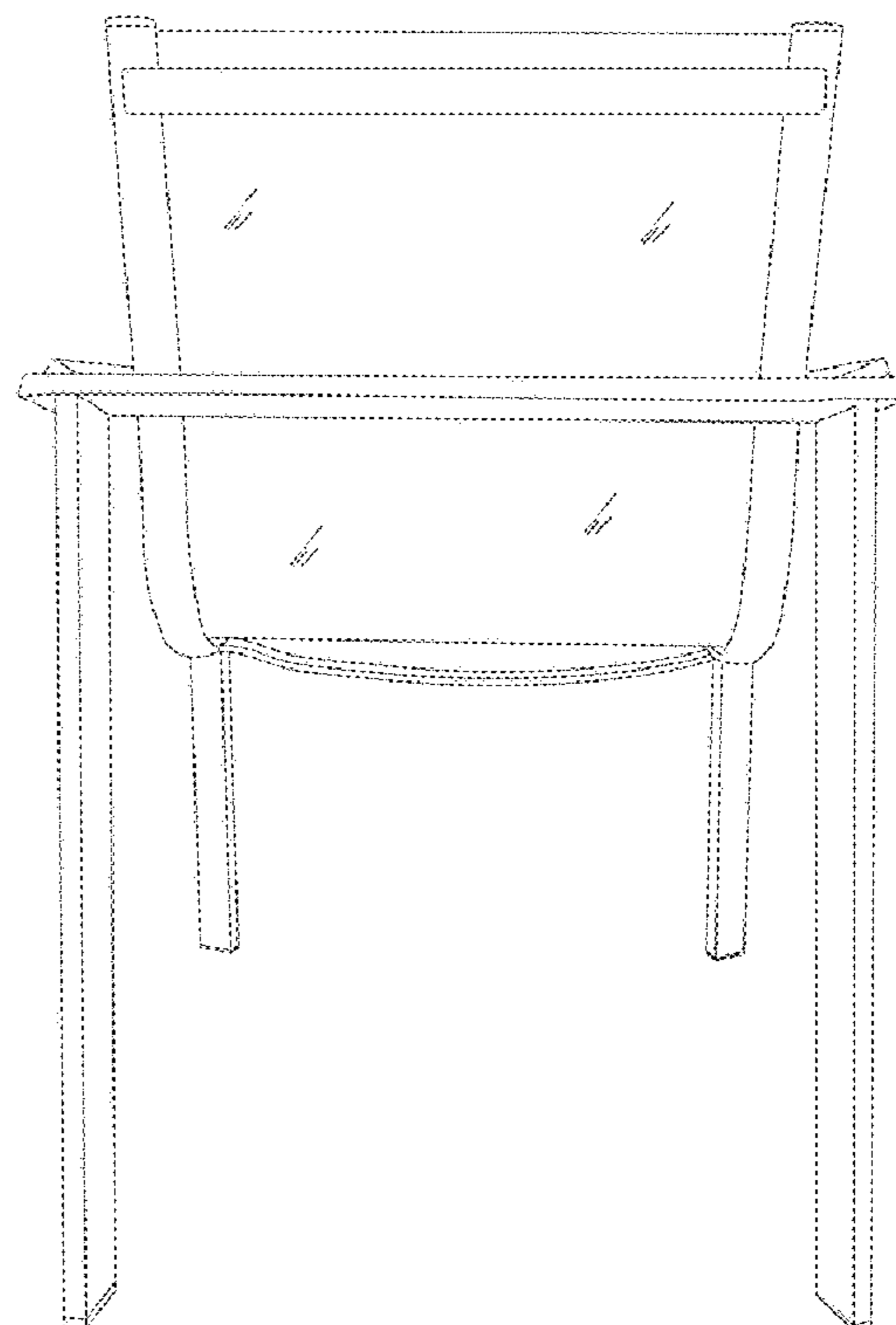
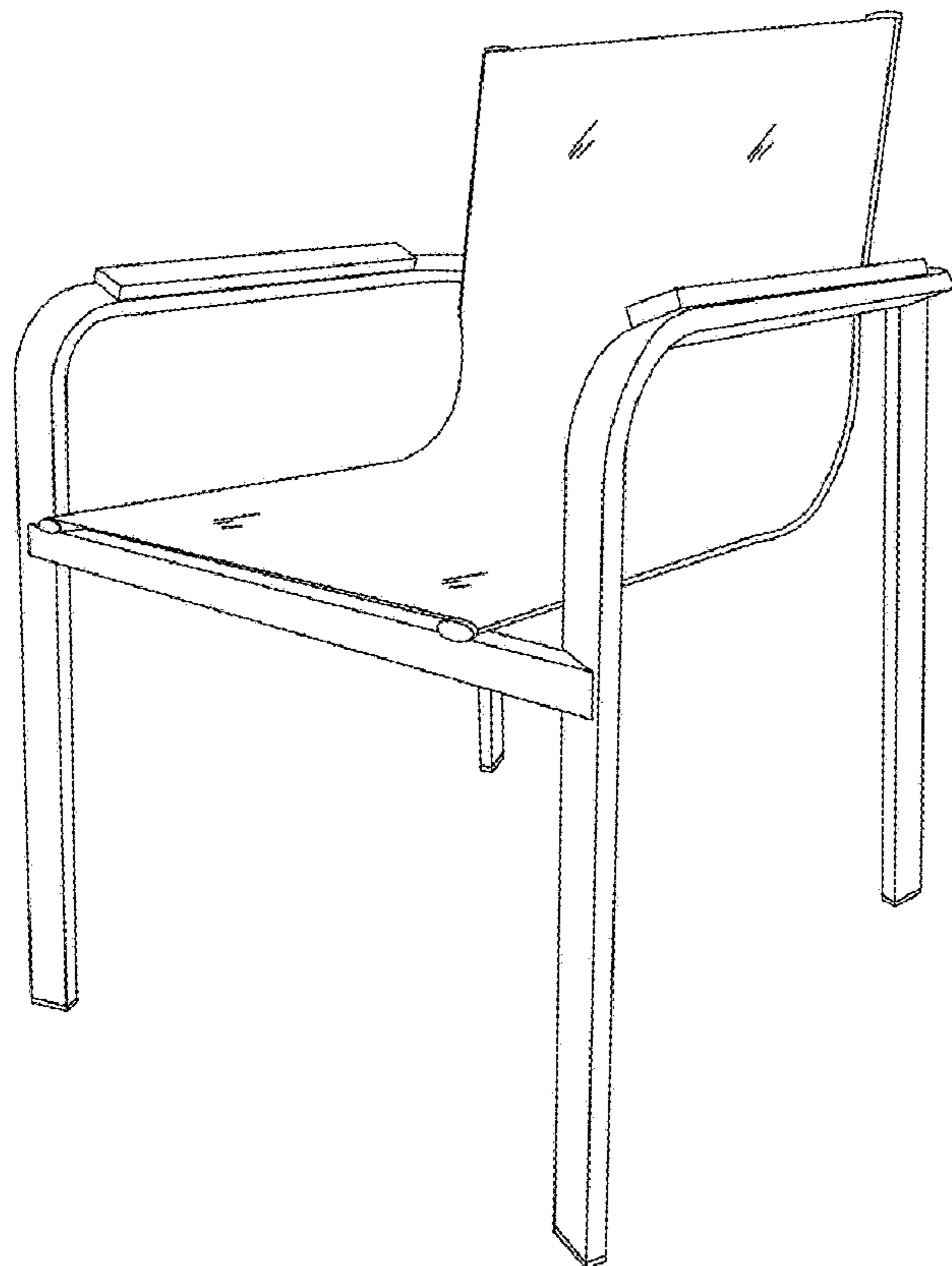


Figure 1

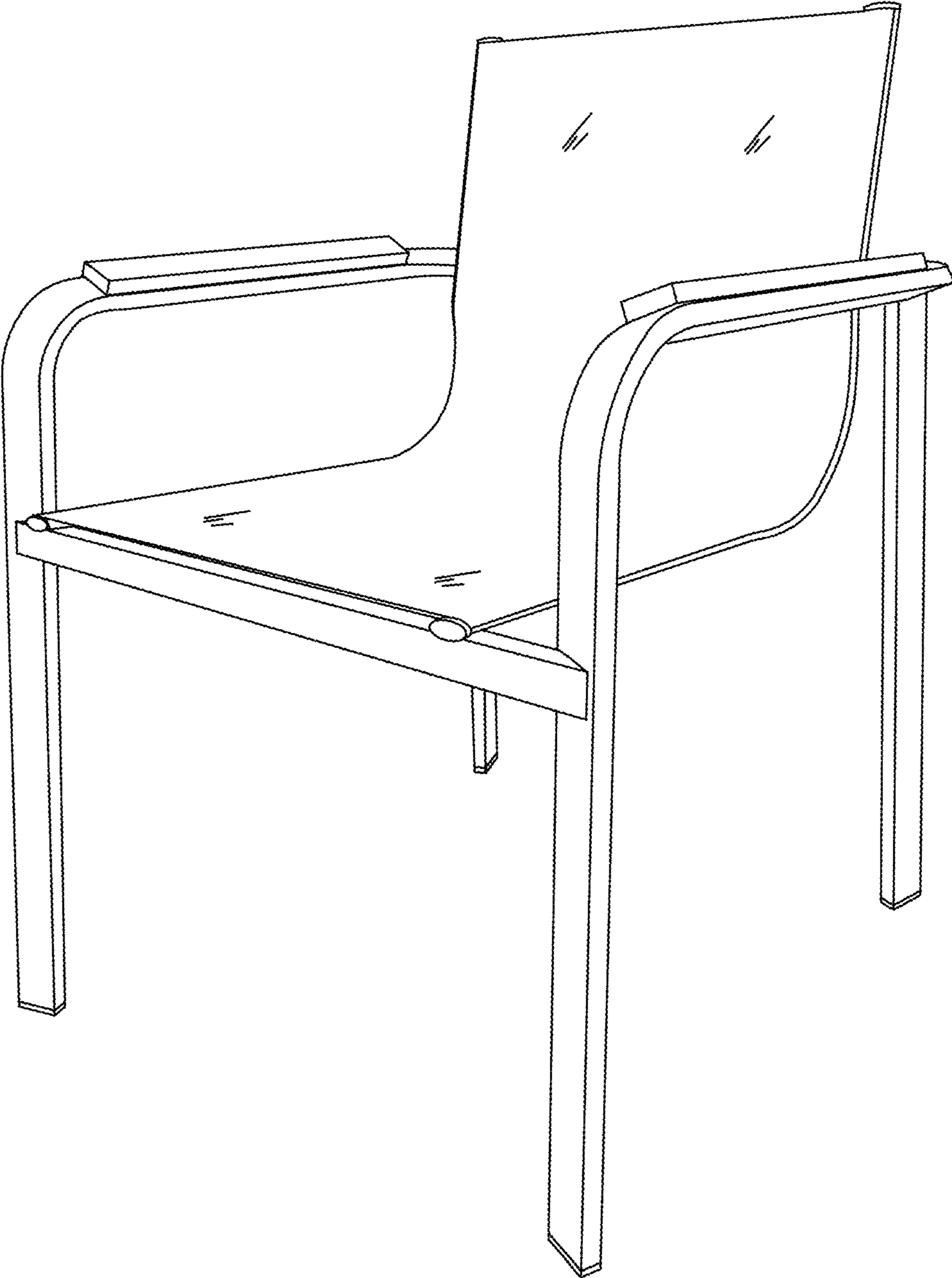


Figure 2

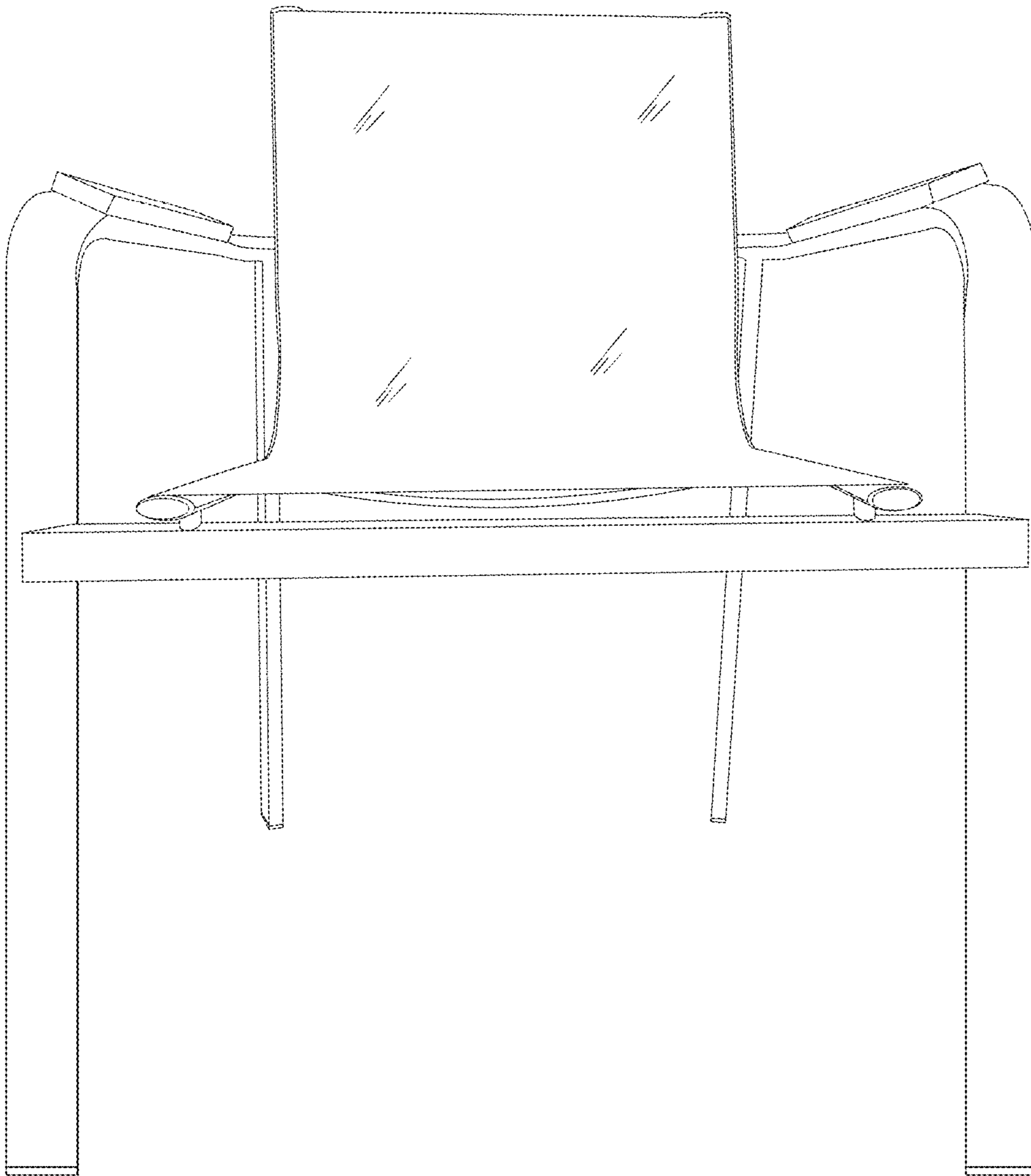


Figure 3

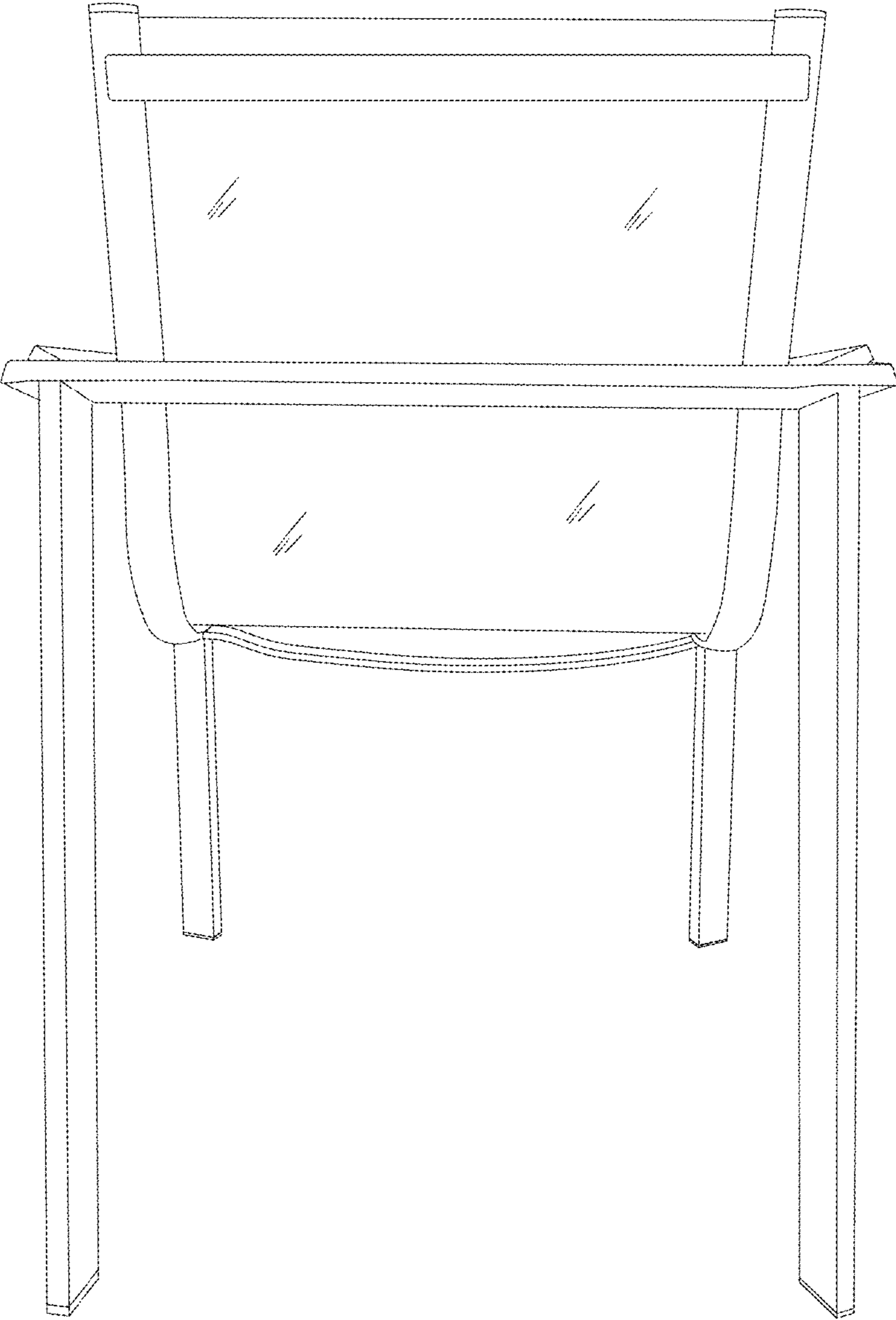


Figure 4

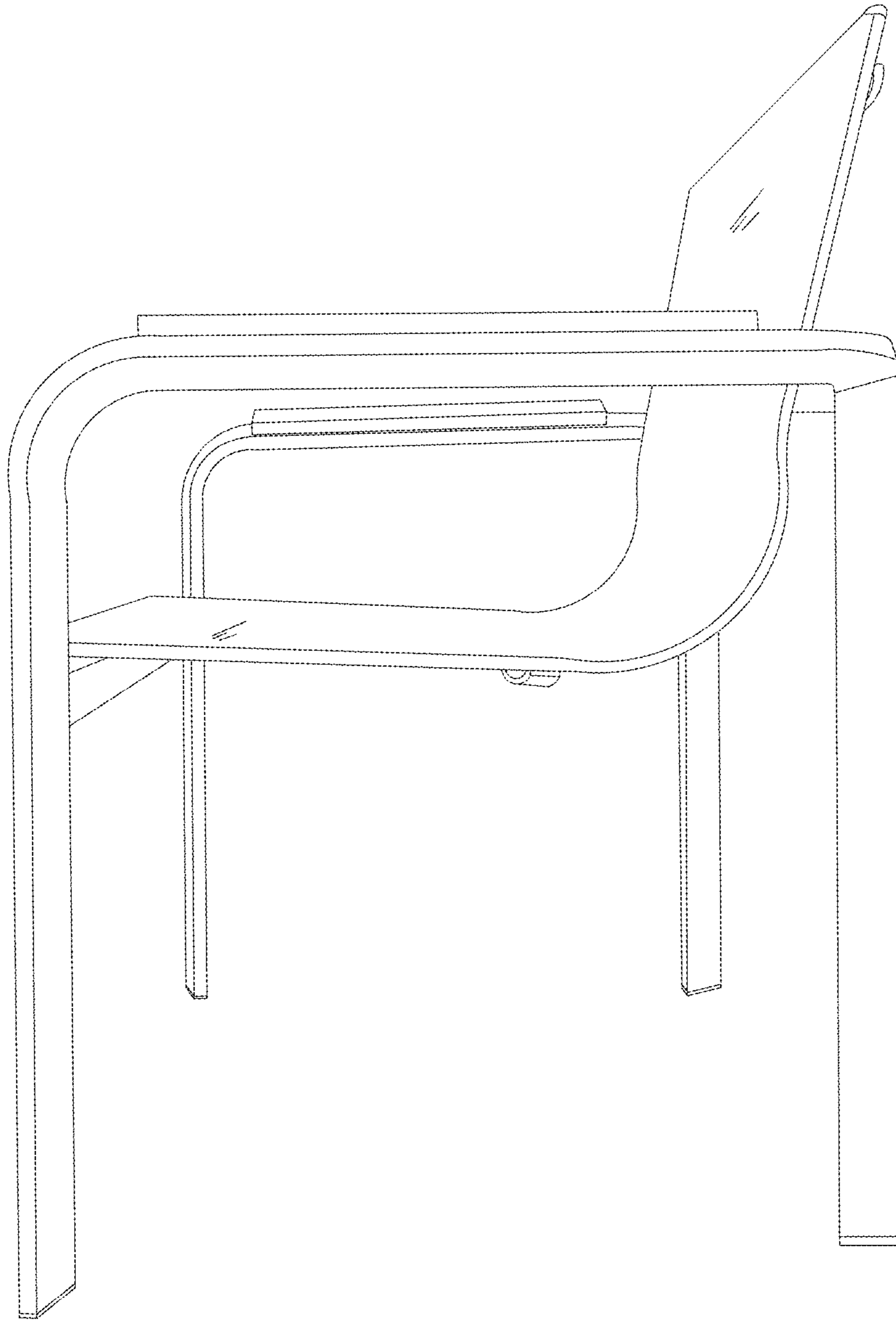


Figure 5

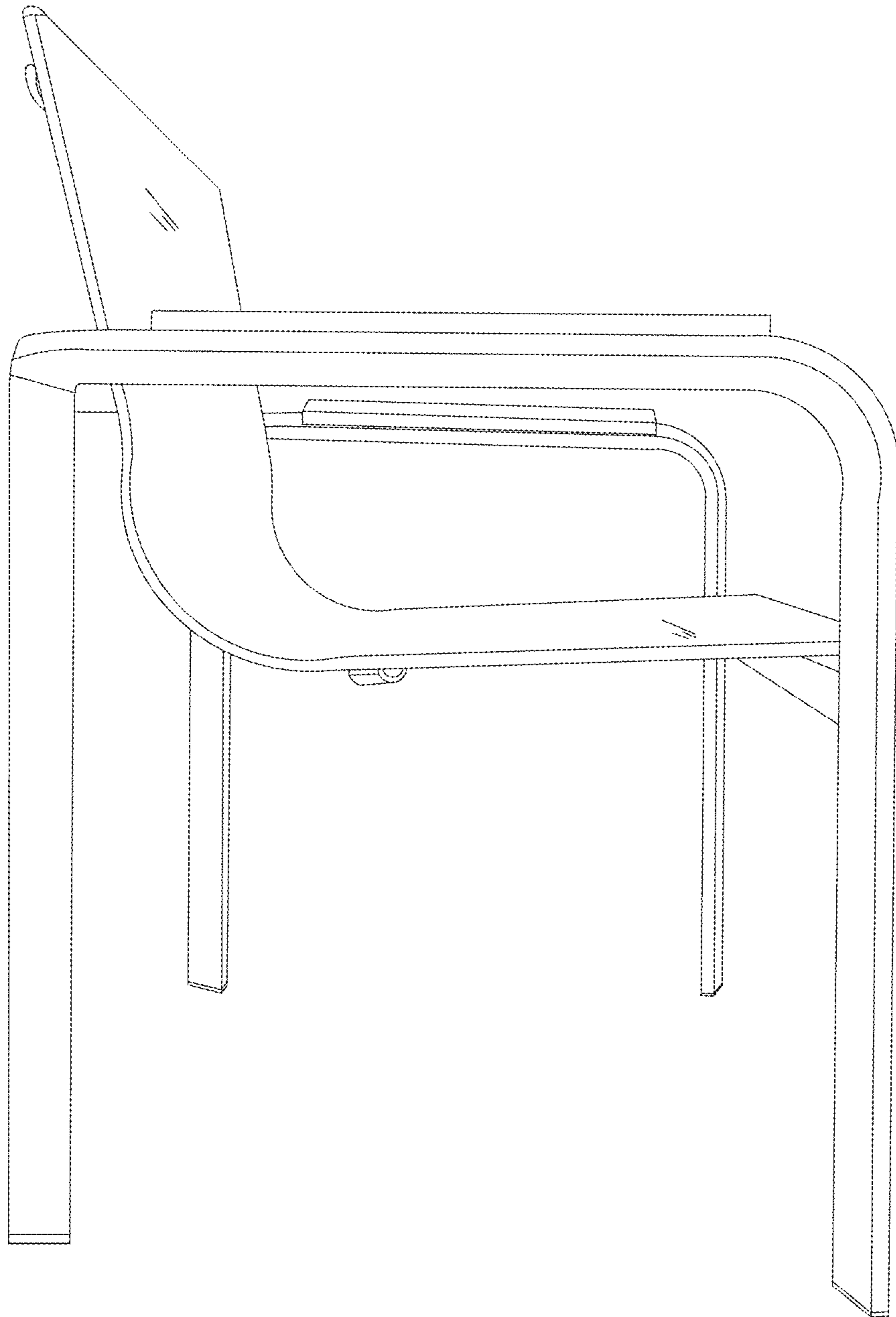


Figure 6

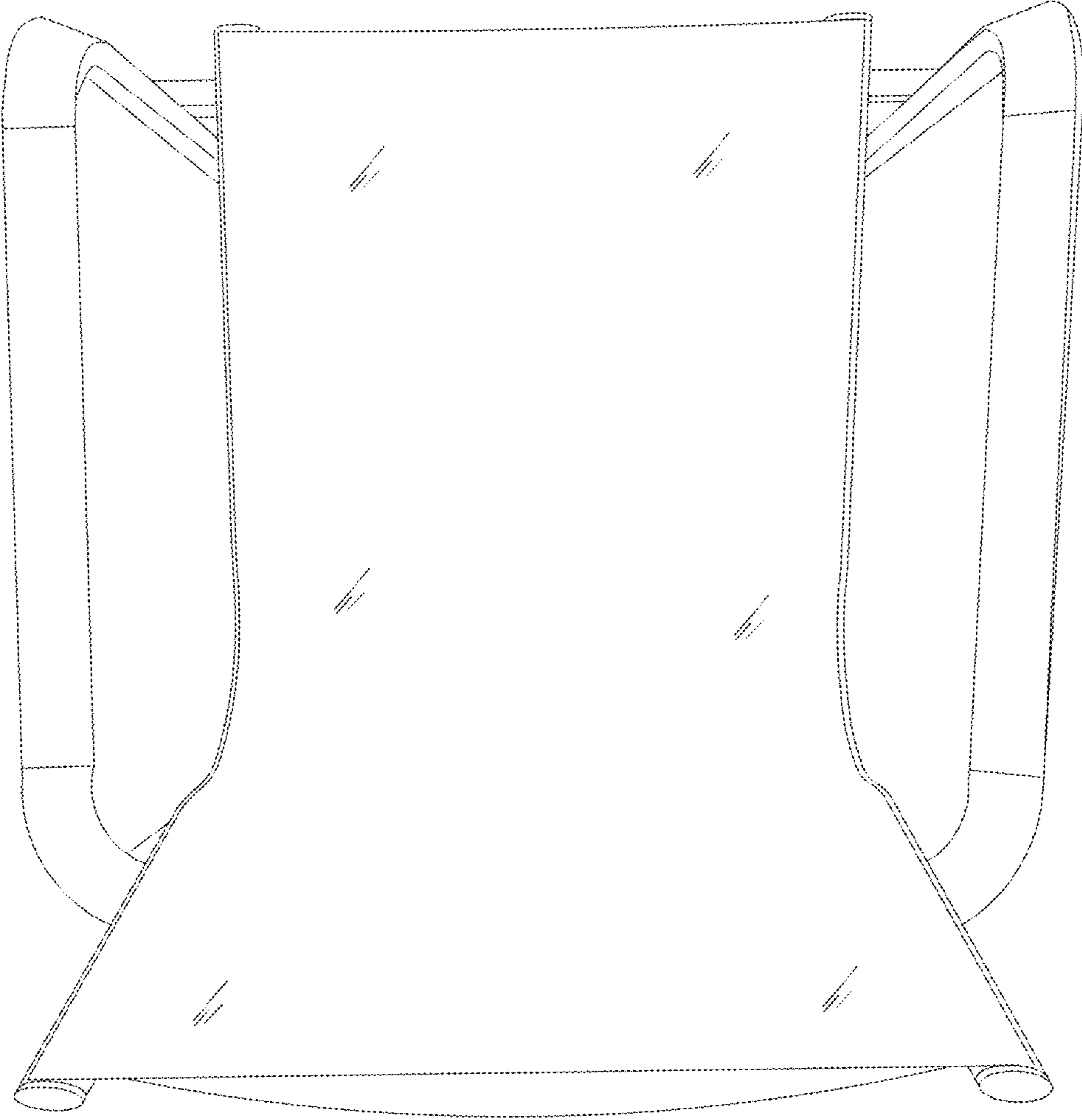


Figure 7

