



US00D804211S

(12) **United States Design Patent**
Gibson

(10) **Patent No.:** **US D804,211 S**

(45) **Date of Patent:** **** Dec. 5, 2017**

(54) **CHAIR**

(71) Applicant: **Major Productions/Sidney Gibson Limited**, Stratford (CA)

(72) Inventor: **Sidney Gibson**, Stratford (CA)

(73) Assignee: **Major Productions/Sidney Gibson Limited**, Stratford, ON (CA)

(**) Term: **15 Years**

(21) Appl. No.: **29/541,067**

(22) Filed: **Sep. 30, 2015**

(51) **LOC (10) Cl.** **06-01**

(52) **U.S. Cl.**
USPC **D6/370**

(58) **Field of Classification Search**
USPC D6/334-336, 361, 367, 368, 370, 716, D6/716.1, 716.2, 716.3, 716.4
CPC A47C 4/02; A47C 4/03; A47C 4/08; A47C 7/16; A47C 7/22; A47C 7/50; A47C 7/506
See application file for complete search history.

(56) **References Cited**

U.S. PATENT DOCUMENTS

4,707,023	A	*	11/1987	Hickey	A47C 4/08
						297/31
D371,466	S	*	7/1996	Boisson	D6/370
D416,397	S	*	11/1999	Niemiec	D6/370
D511,628	S	*	11/2005	Cross	D6/370
D513,369	S	*	1/2006	Cross	D6/370
D545,584	S	*	7/2007	Hunziker	D6/370
D569,639	S	*	5/2008	Swanson	D6/370
D660,038	S	*	5/2012	Hoyord	D6/370

D700,787	S	*	3/2014	VanderKamp	D6/370
D712,673	S	*	9/2014	Block	D6/368
D733,450	S	*	7/2015	Gaston	D6/370
D785,959	S	*	5/2017	Cole	D6/370

* cited by examiner

Primary Examiner — Mimososa De

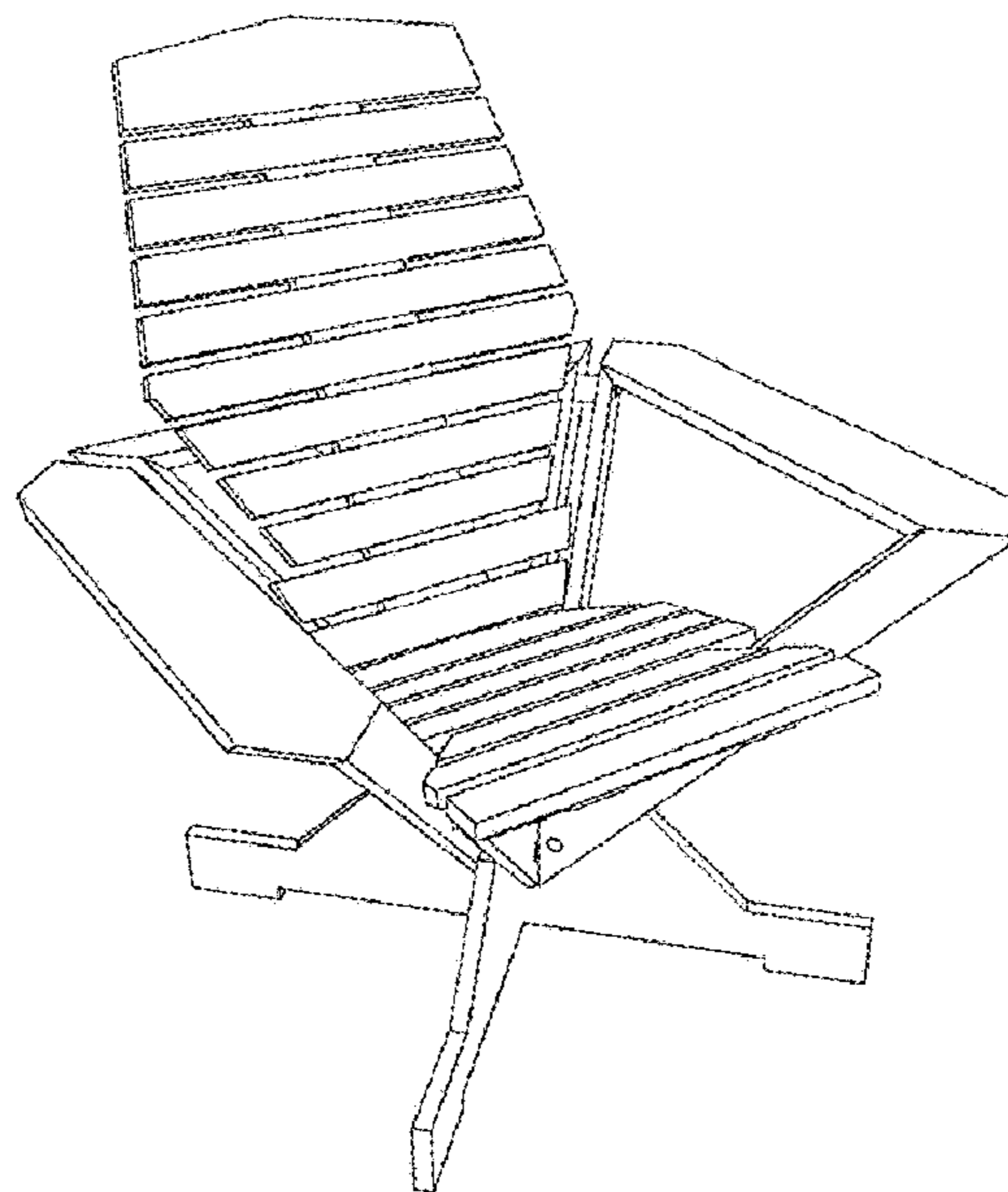
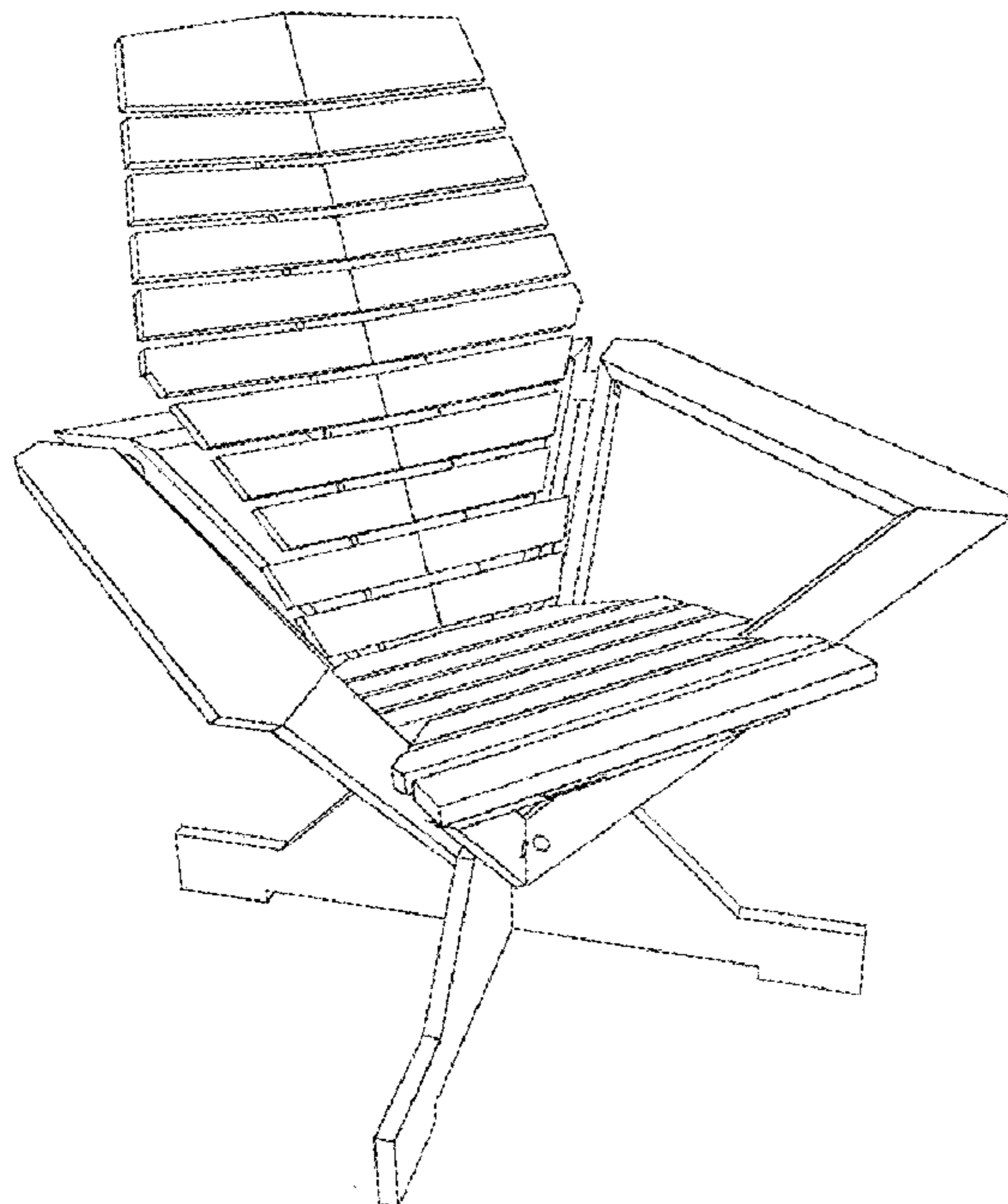
(57) **CLAIM**

I claim the ornamental design for a chair, as shown and described.

DESCRIPTION

FIG. 1 is a left front perspective view of a first embodiment of the chair;
 FIG. 2 is a right rear perspective view of the chair in FIG. 1;
 FIG. 3 is a left side perspective view of the chair in FIG. 1;
 FIG. 4 is a right elevation of the chair in FIG. 1;
 FIG. 5 is a left elevation of the chair in FIG. 1;
 FIG. 6 is a front elevation of the chair in FIG. 1;
 FIG. 7 is a rear elevation of the chair in FIG. 1;
 FIG. 8 is a top view of the chair in FIG. 1;
 FIG. 9 is a bottom view of the chair in FIG. 1;
 FIG. 10 is a left front perspective view of a second embodiment of the chair of the present design;
 FIG. 11 is a left side perspective of the chair in FIG. 10;
 FIG. 12 is a right elevation of the chair, in FIG. 10;
 FIG. 13 is a left elevation of the chair in FIG. 10;
 FIG. 14 is a front elevation of the chair in FIG. 10;
 FIG. 15 is a rear elevation of the chair in FIG. 10;
 FIG. 16 is a top view of the chair in FIG. 10; and,
 FIG. 17 is a bottom view of the chair in FIG. 10.

1 Claim, 9 Drawing Sheets



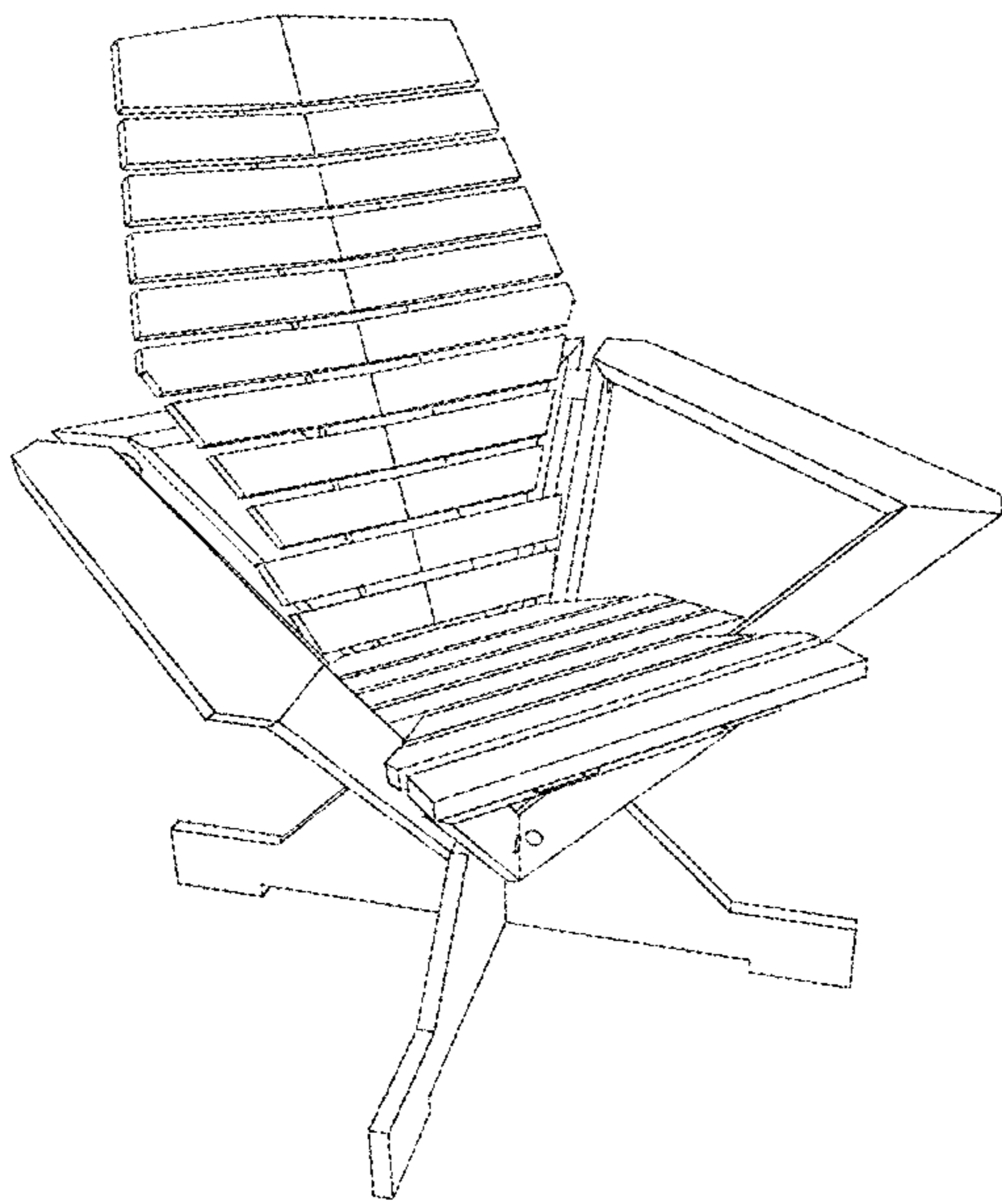


Figure 1

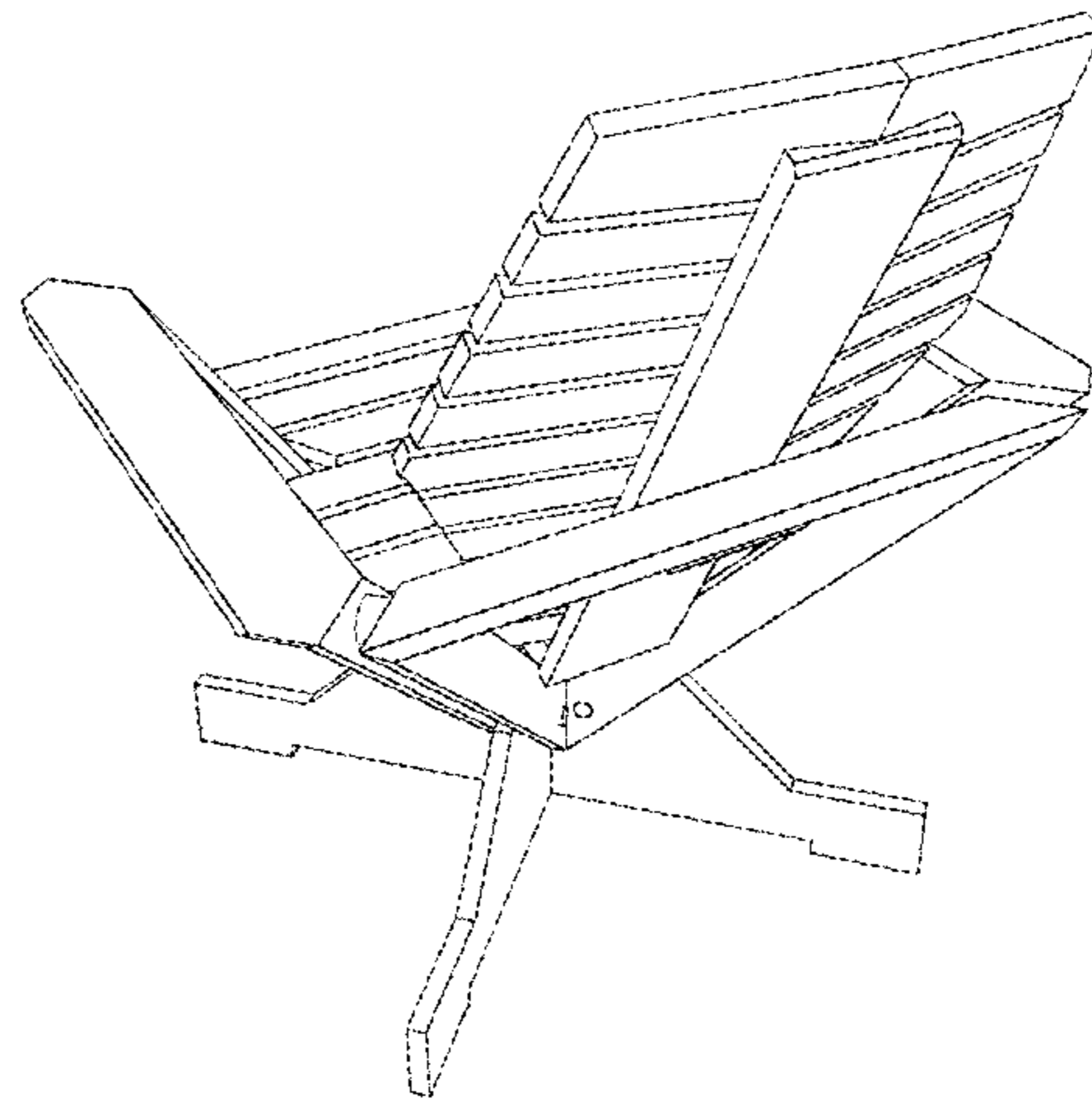


Figure 2

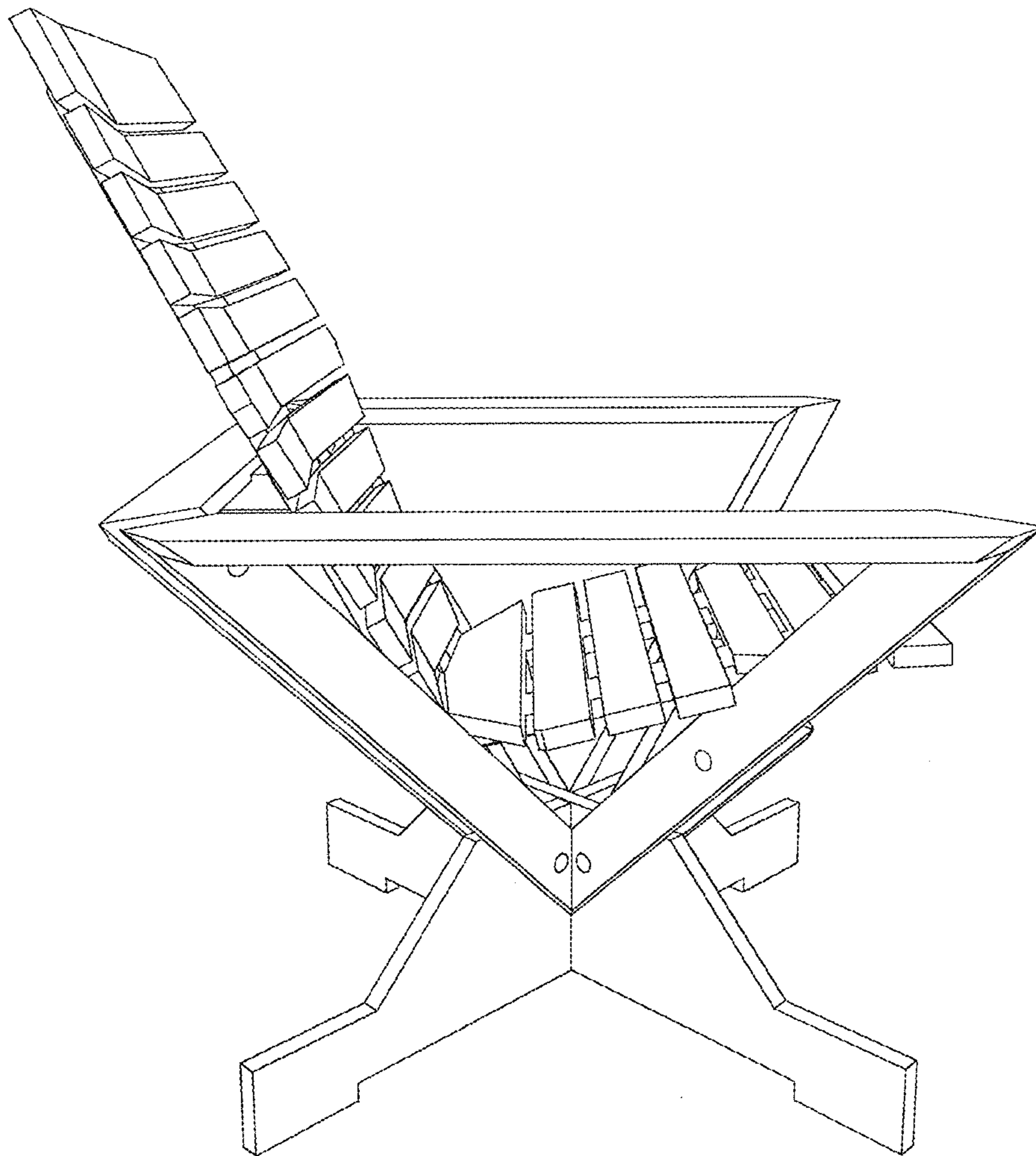


Figure 3

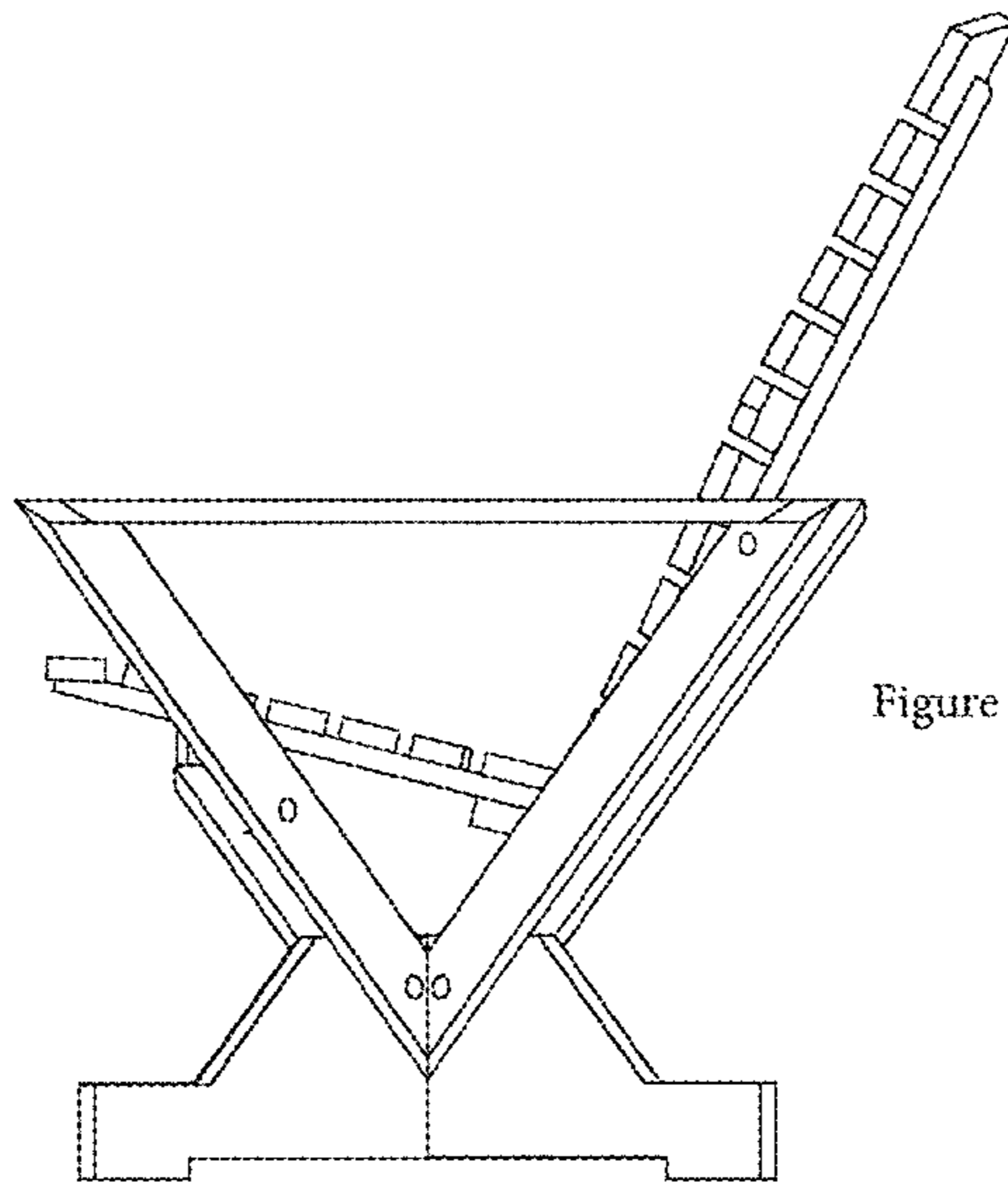


Figure 4

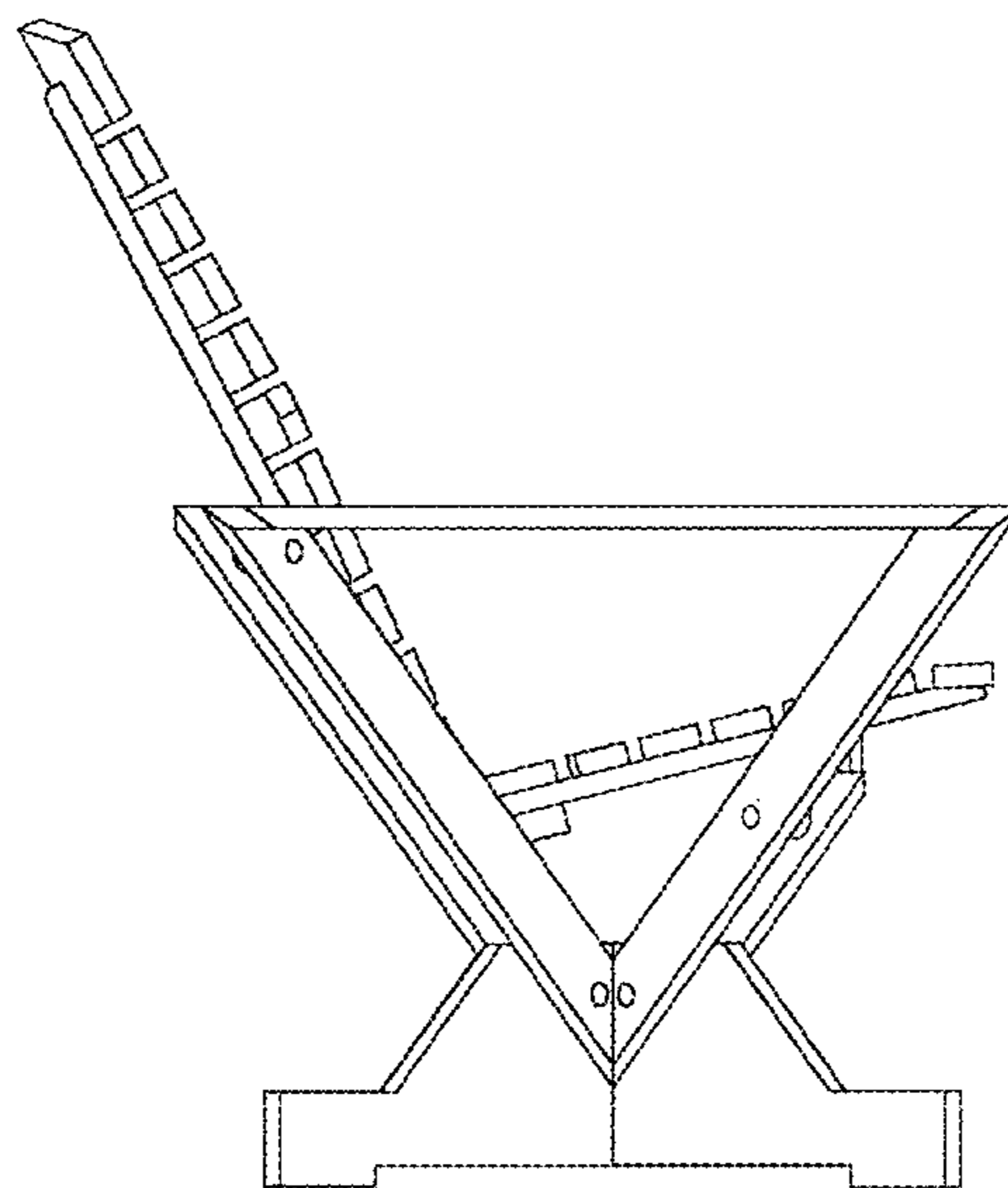


Figure 5

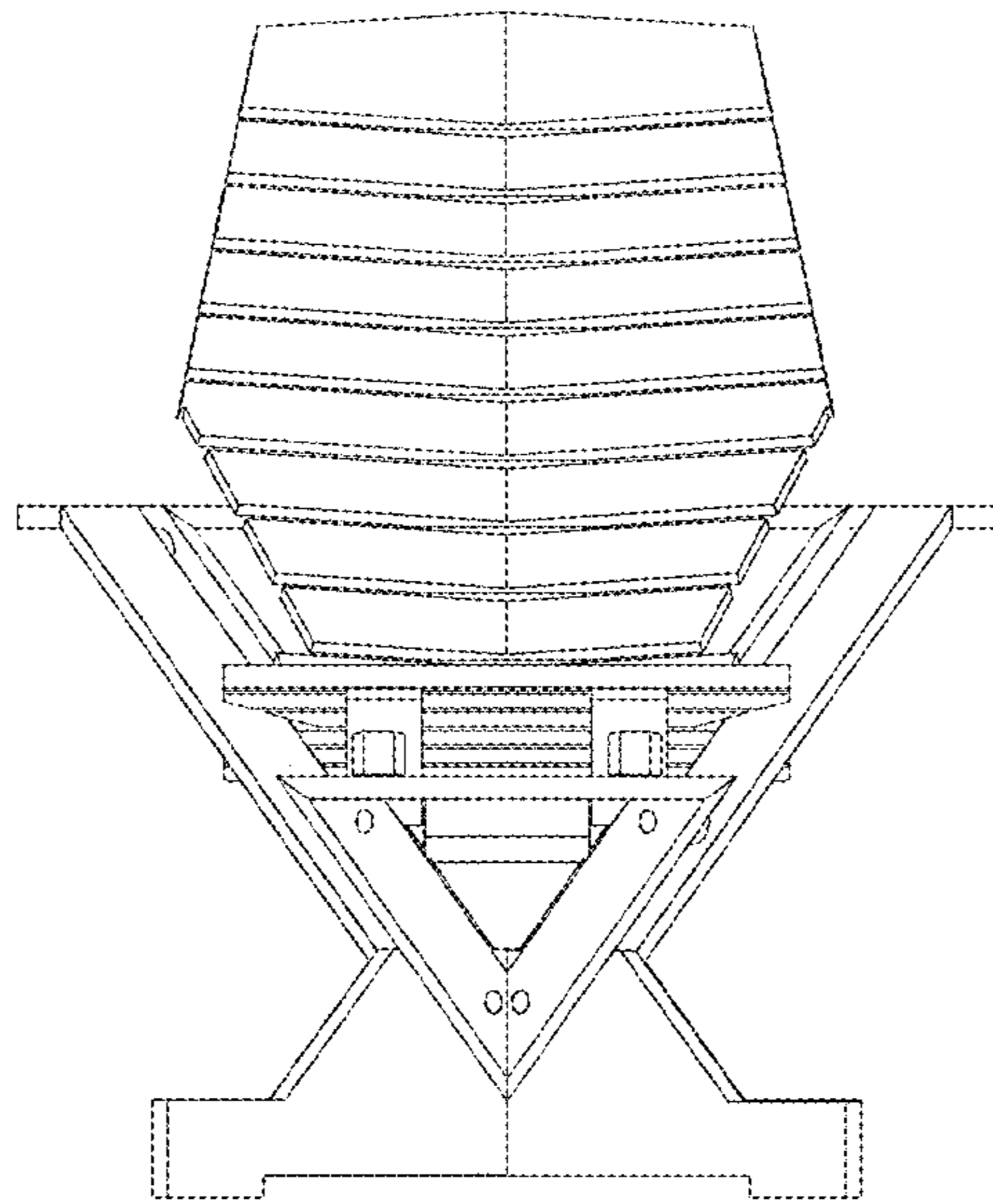


Figure 6

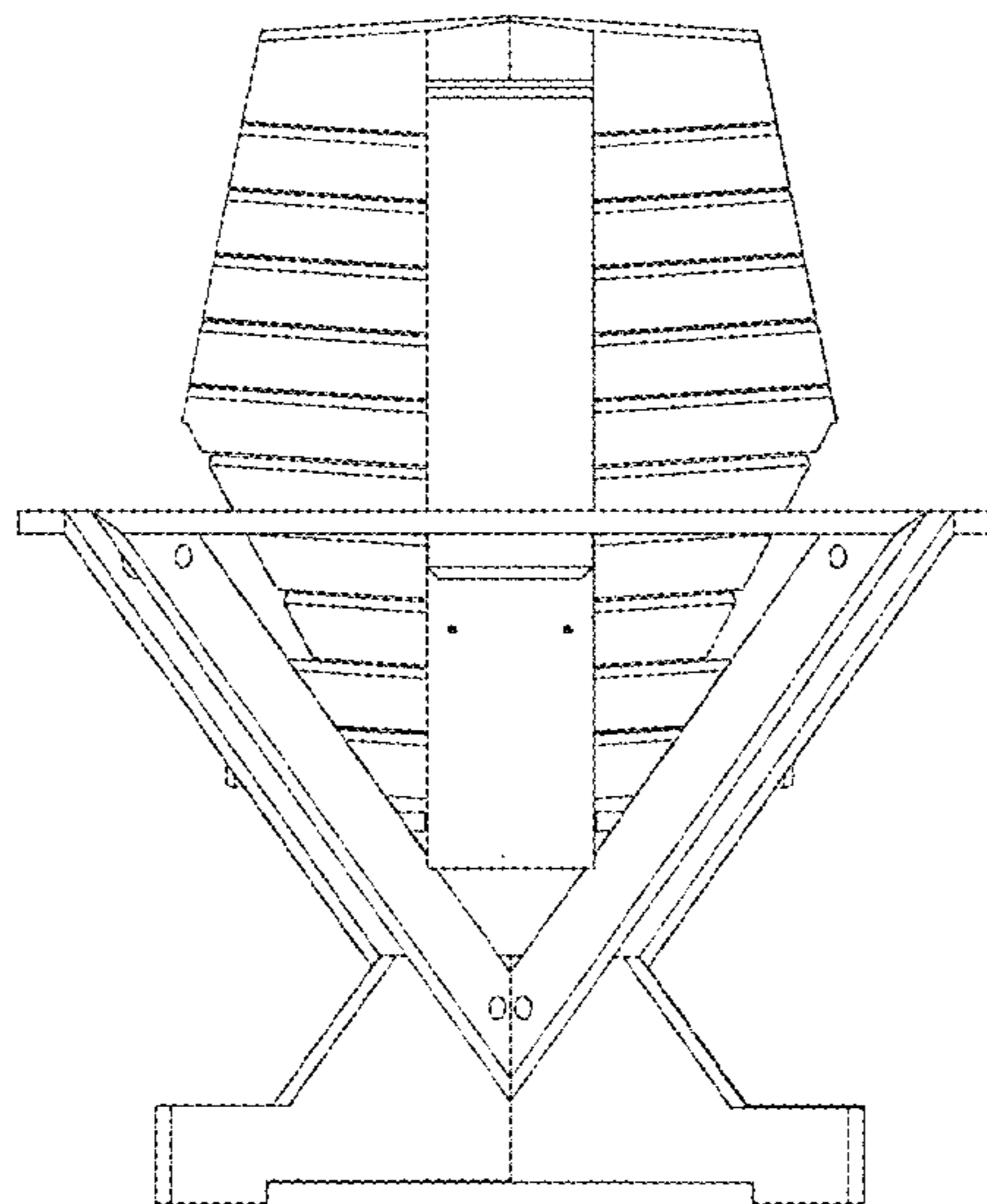


Figure 7

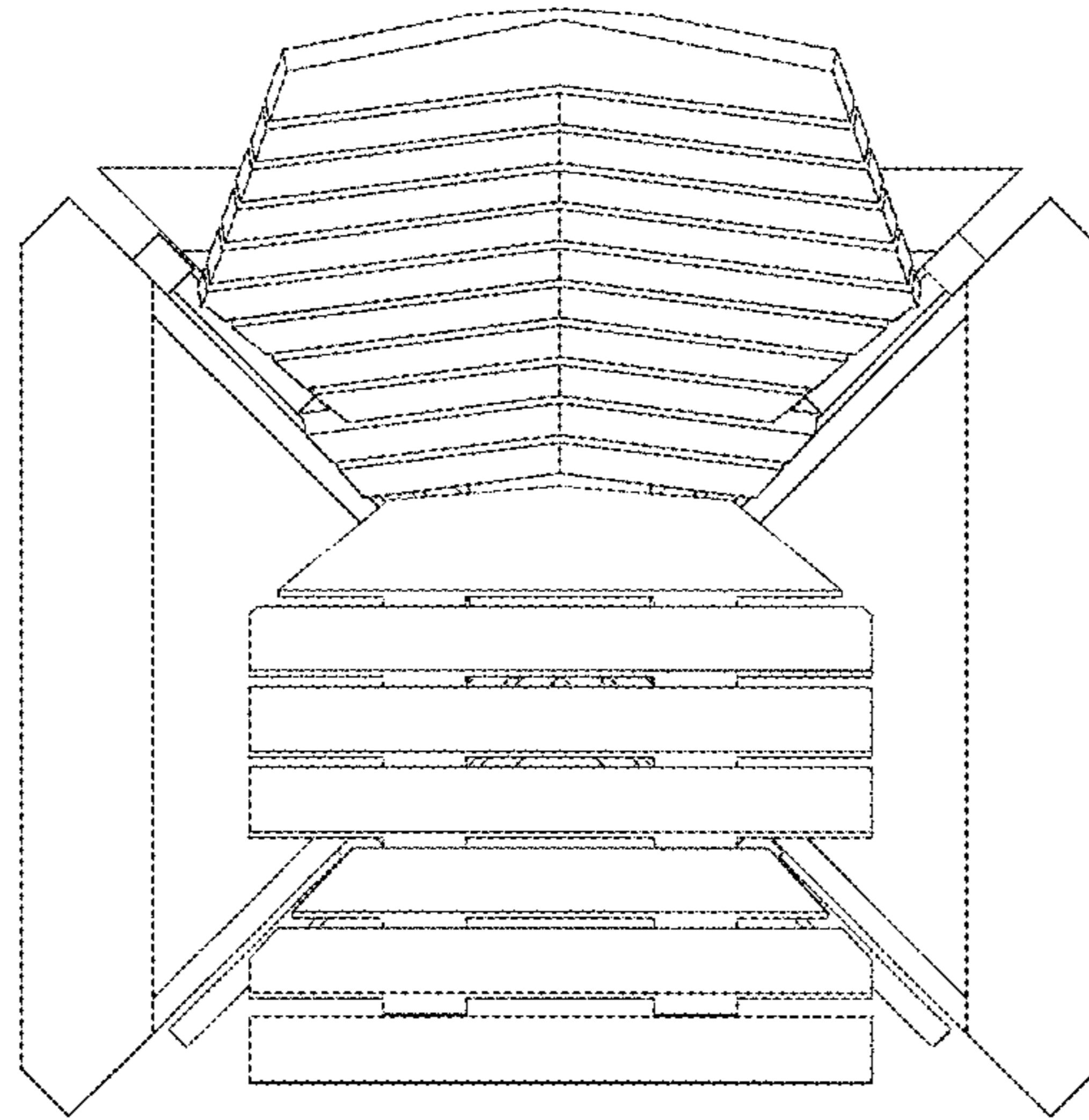


Figure 8

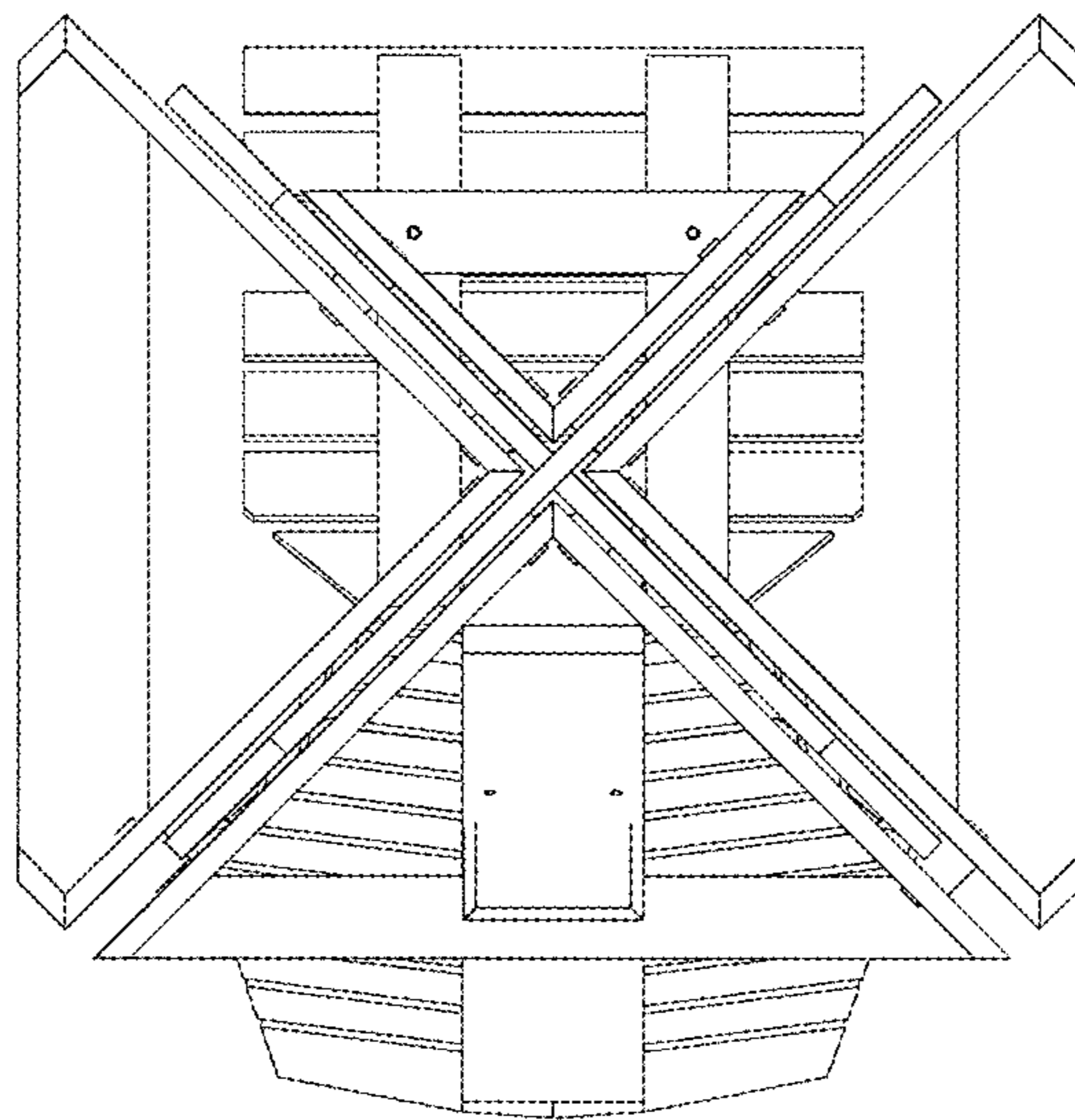


Figure 9

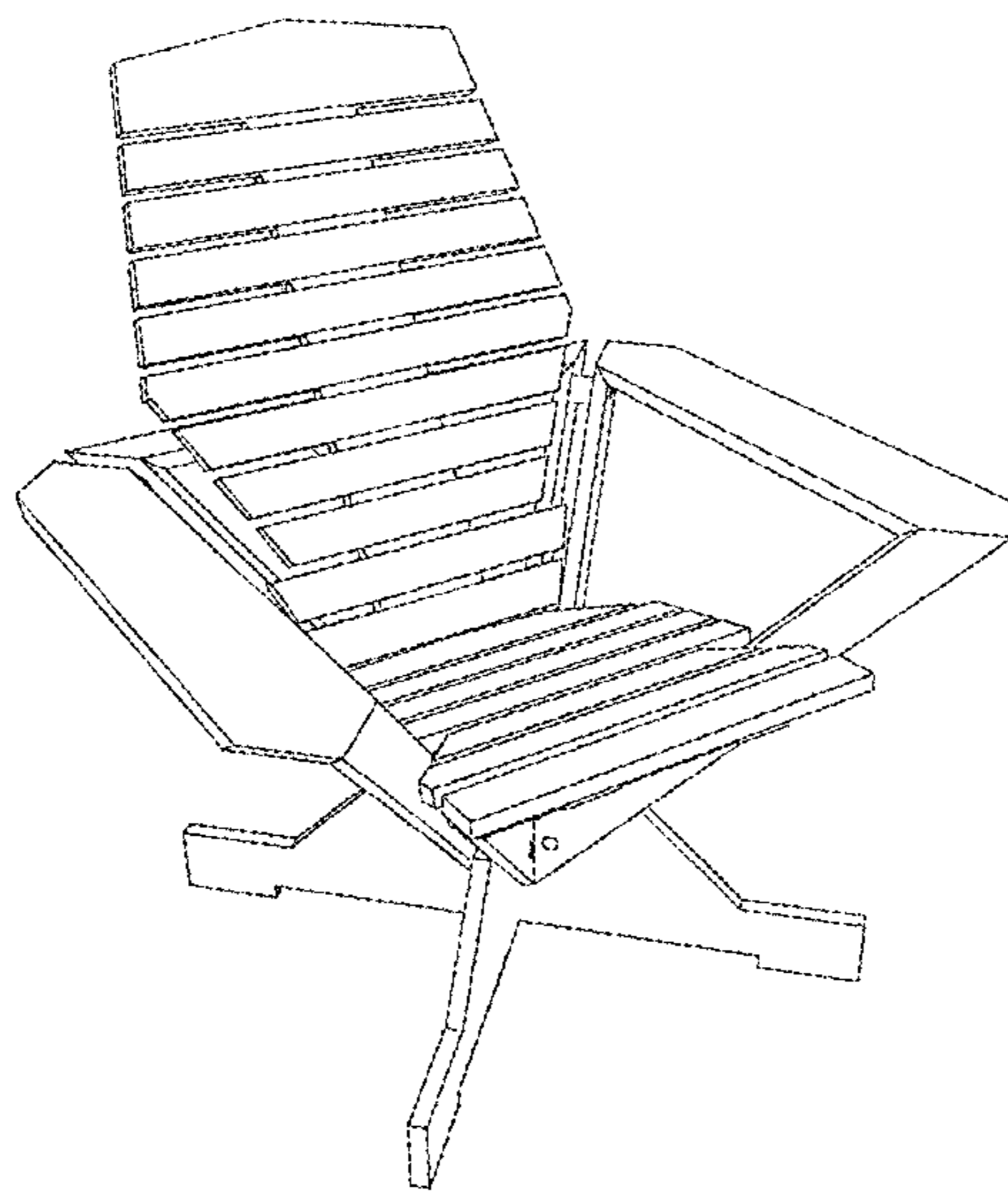


Figure 10

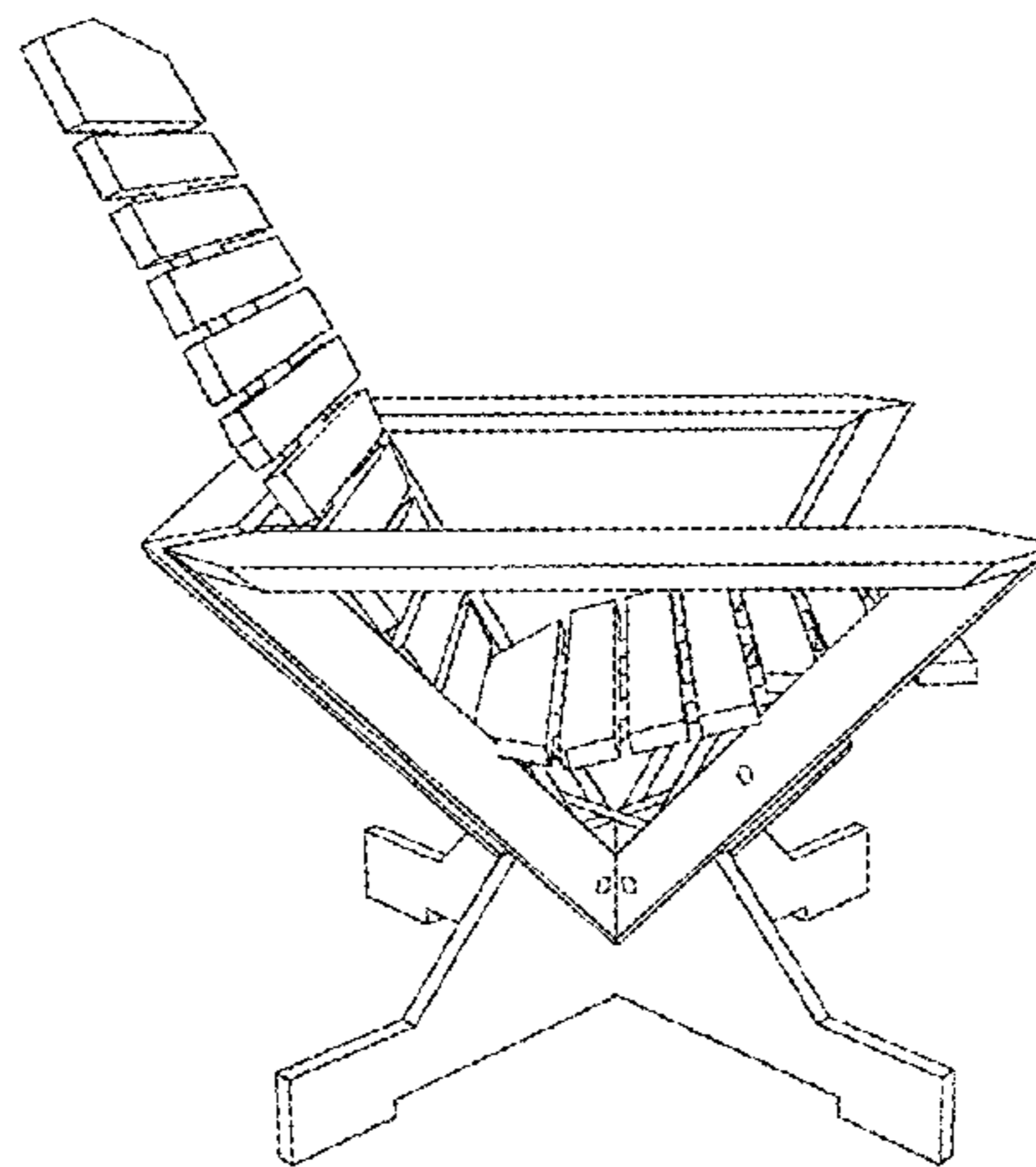


Figure 11

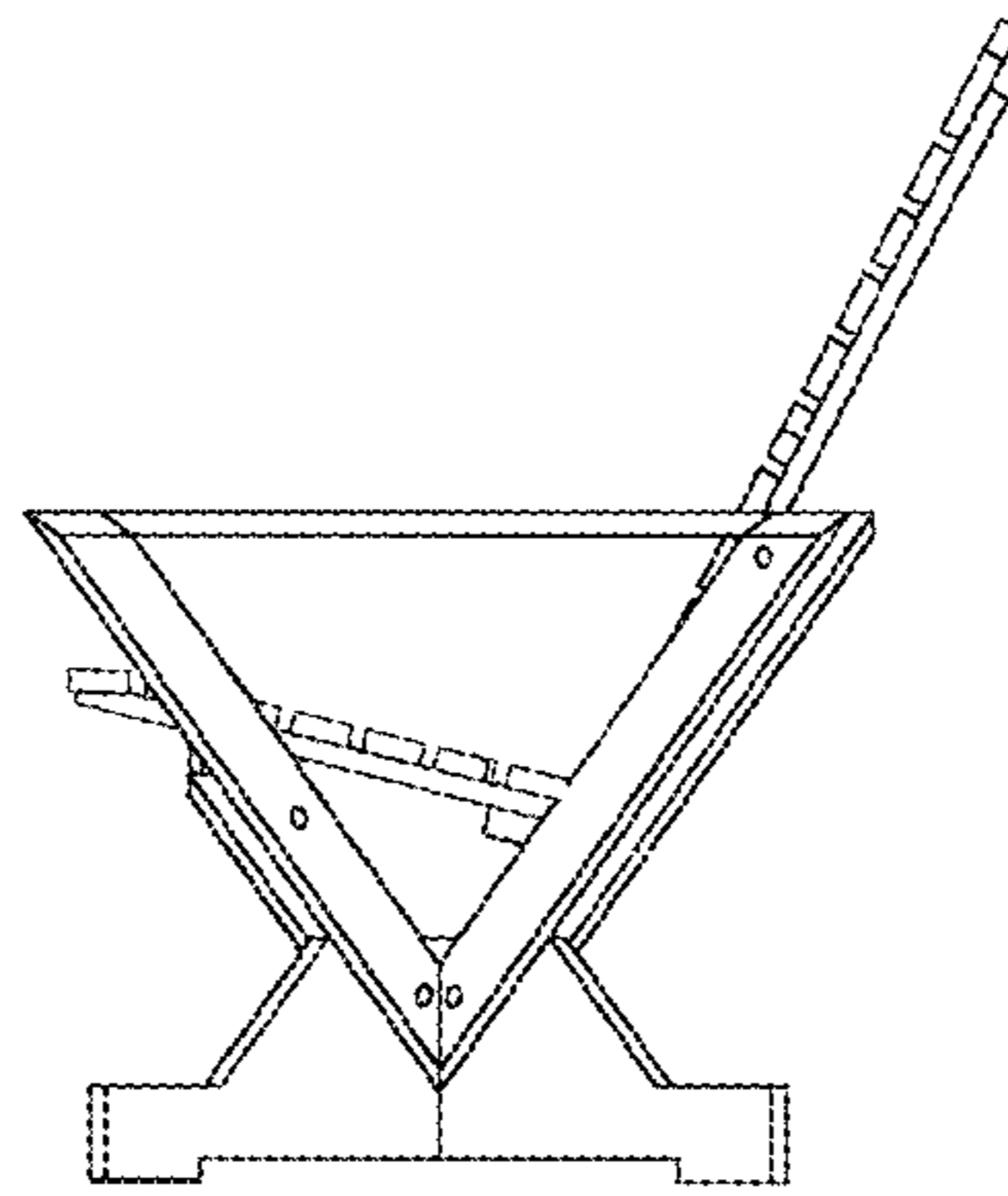


Figure 12

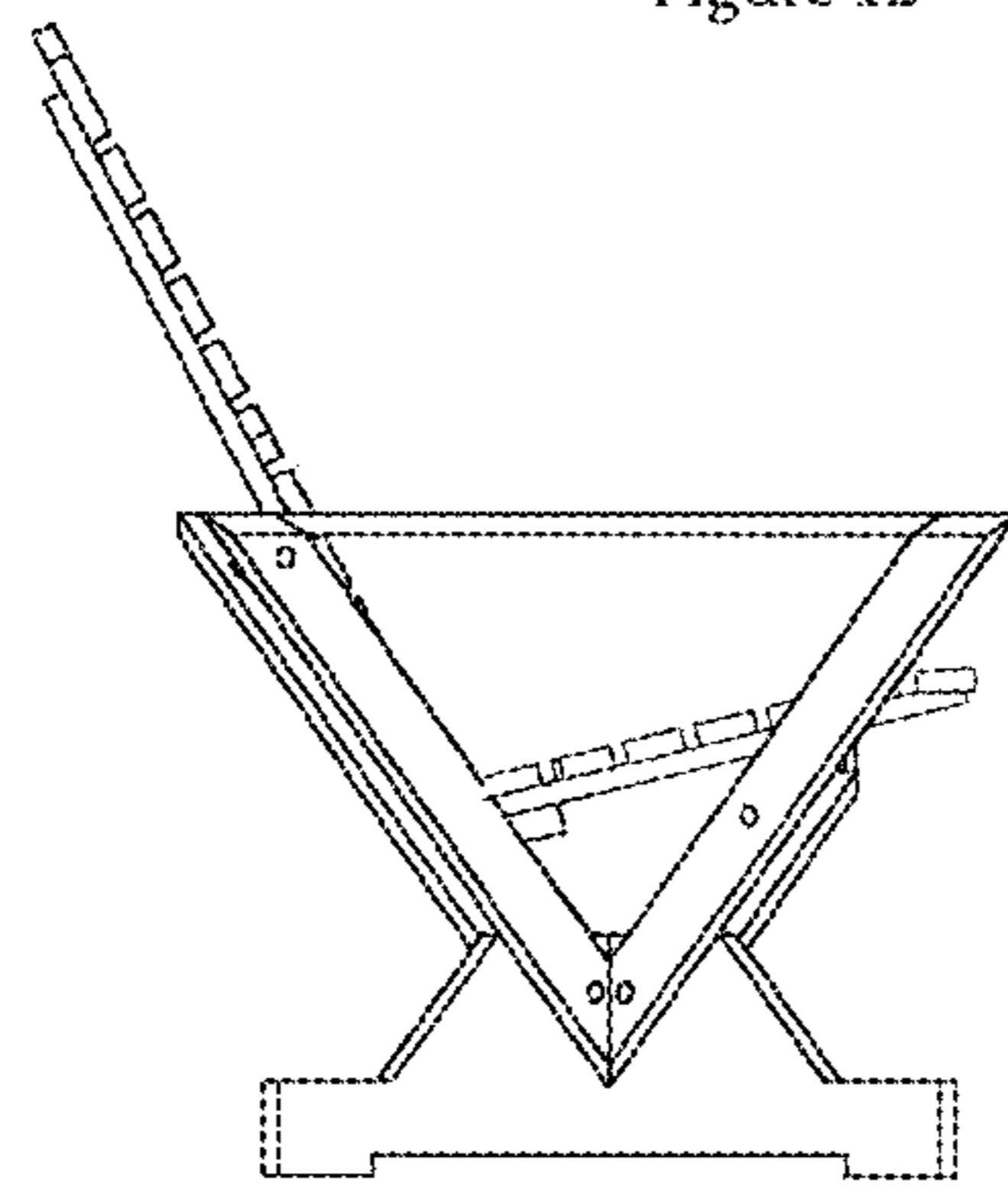


Figure 13

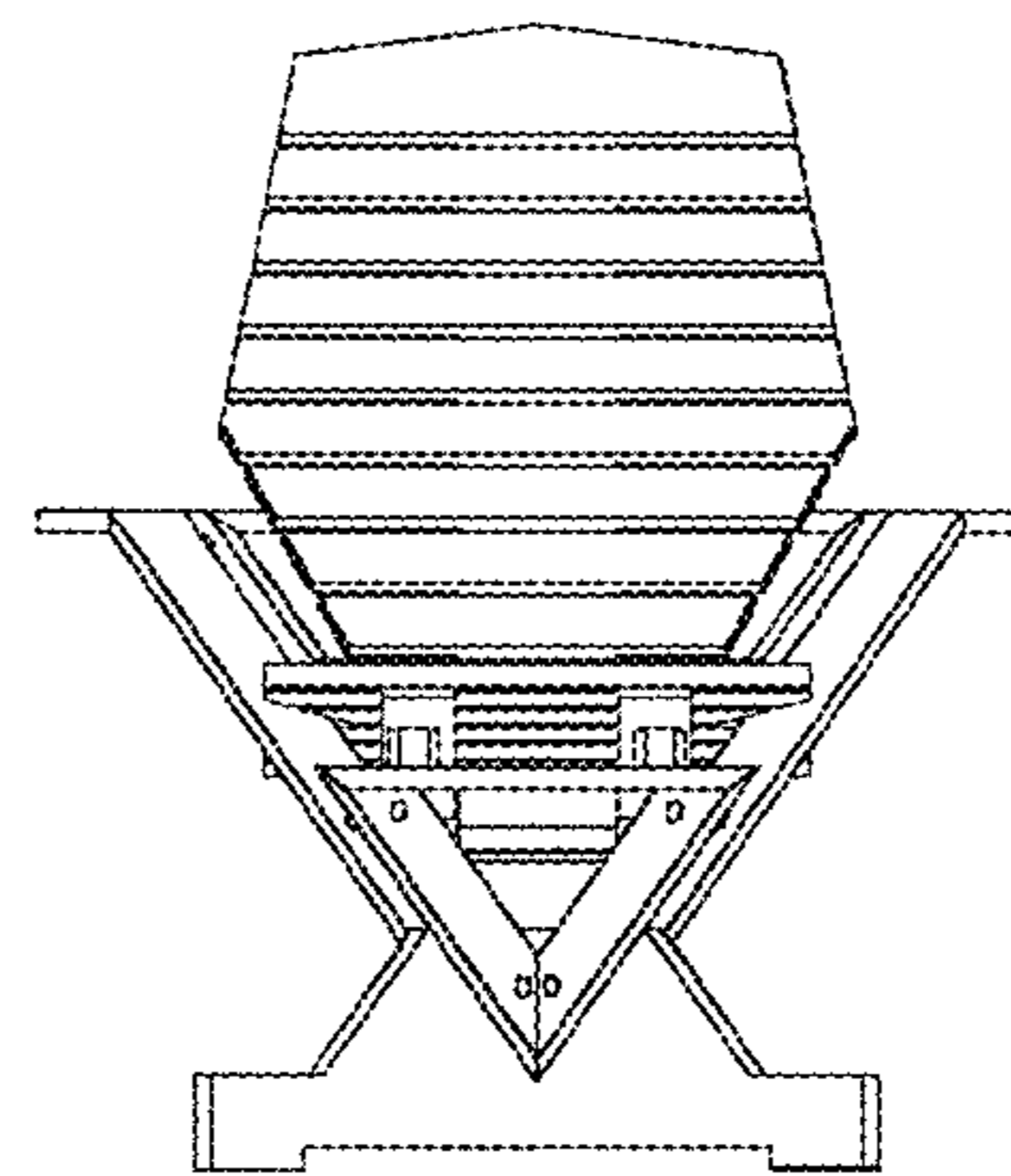


Figure 14

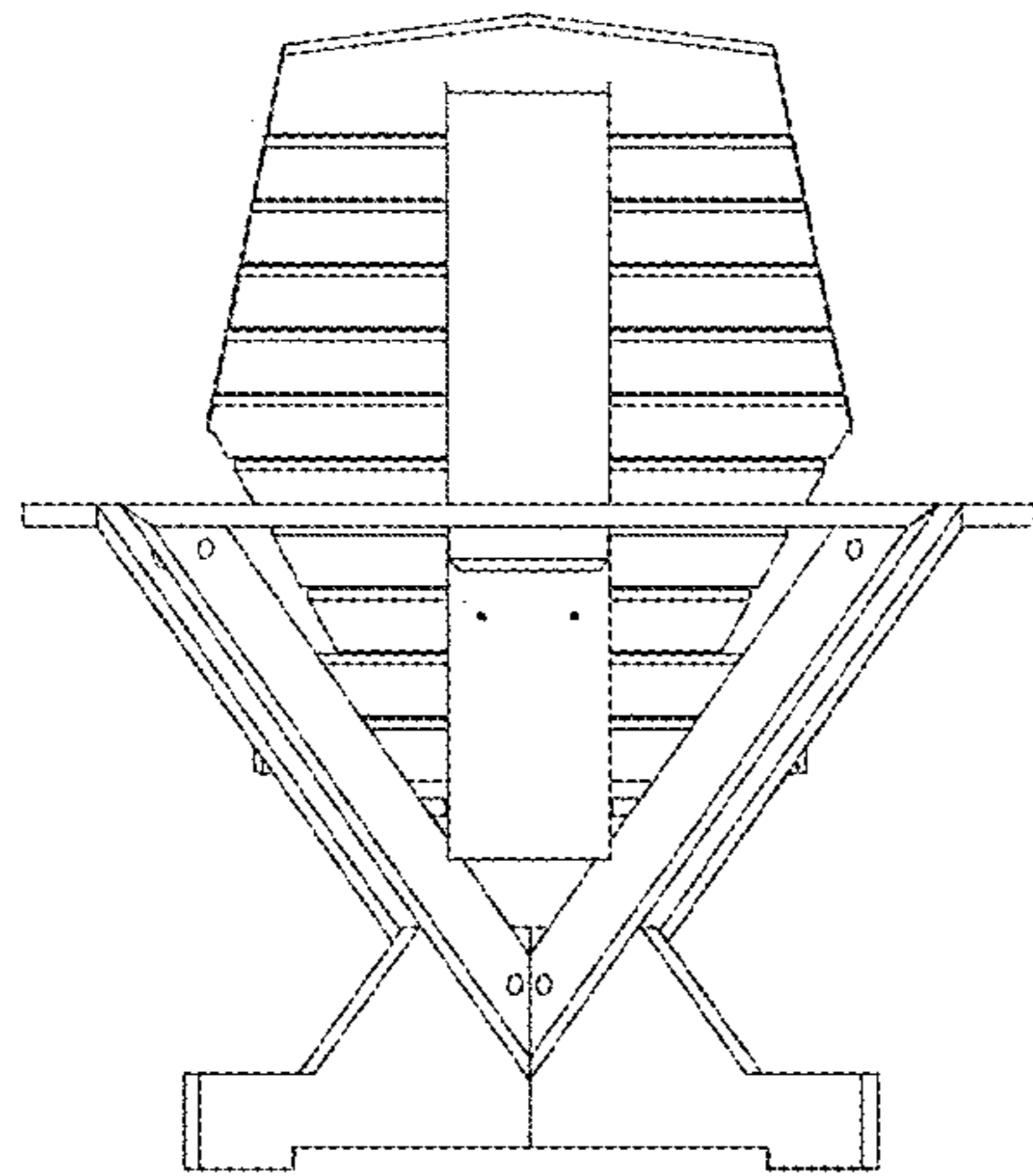


Figure 15

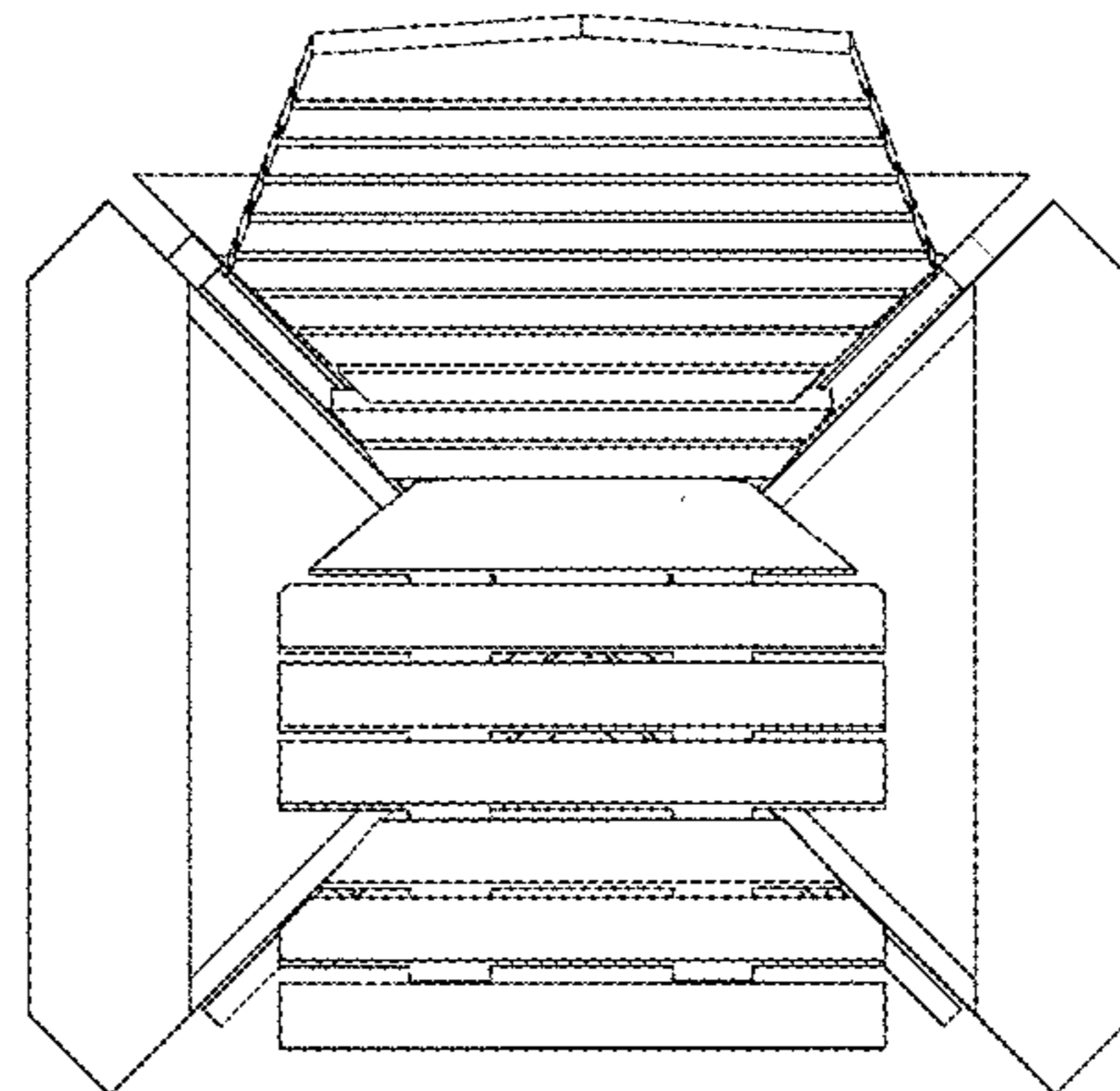


Figure 16

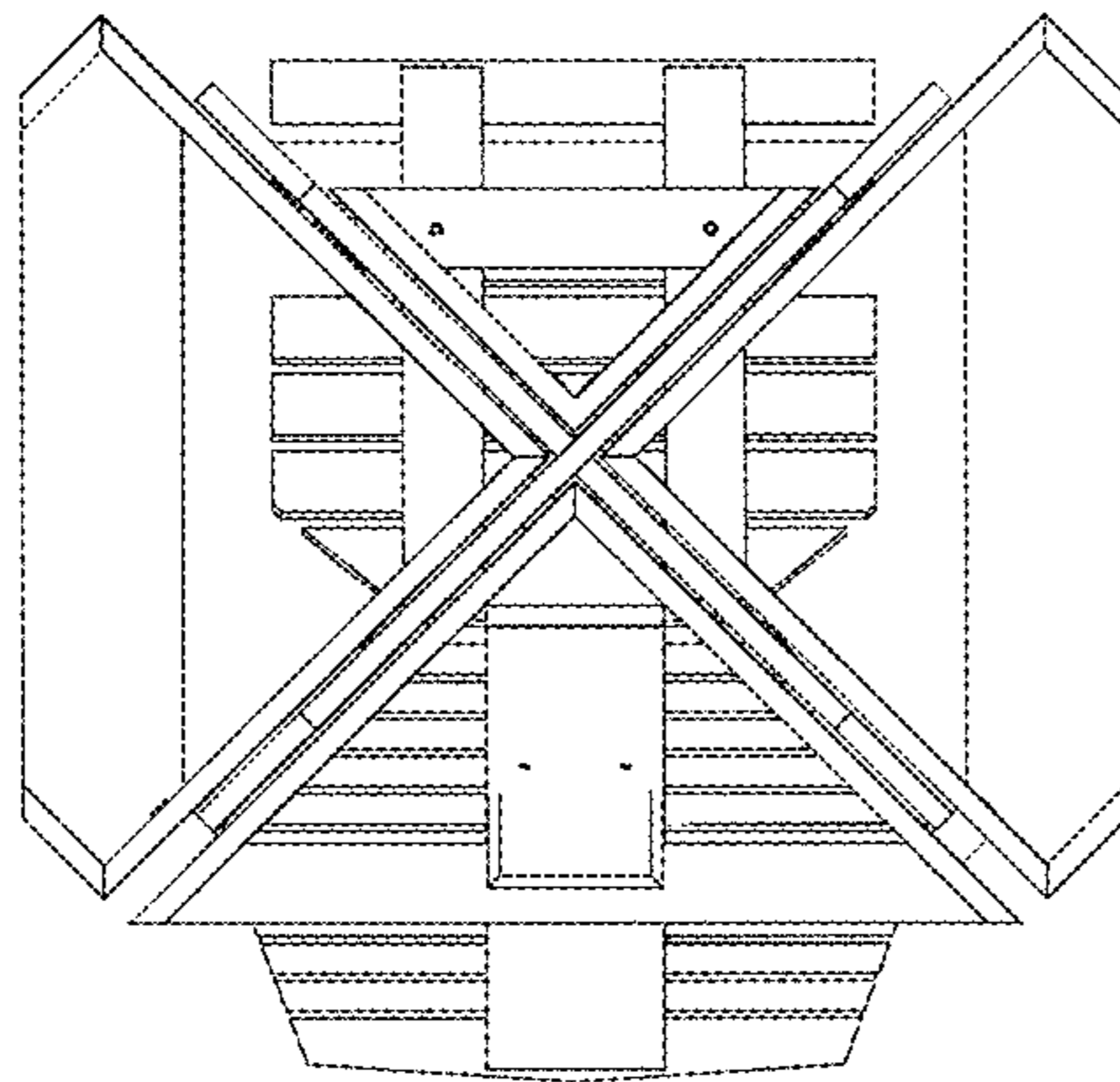


Figure 17