

US00D804209S

(12) **United States Design Patent**
Ludwig et al.

(10) **Patent No.:** **US D804,209 S**
(45) **Date of Patent:** **** Dec. 5, 2017**

(54) **CHAIR**

(71) Applicant: **Steelcase Inc.**, Grand Rapids, MI (US)

(72) Inventors: **James Nolan Ludwig**, Grand Rapids, MI (US); **Bruce Michael Smith**, East Grand Rapids, MI (US); **Mark William Spoelhof**, Grand Rapids, MI (US); **Kurt Heidmann**, Grand Rapids, MI (US); **Nickolaus William Charles Deevers**, Holland, MI (US)

(73) Assignee: **Steelcase Inc.**, Grand Rapids, MI (US)

(**) Term: **15 Years**

(21) Appl. No.: **29/560,955**

(22) Filed: **Apr. 12, 2016**

(51) **LOC (10) Cl.** **06-01**

(52) **U.S. Cl.**
USPC **D6/366**

(58) **Field of Classification Search**
USPC D6/334-336, 364, 365, 366, 371, 372, D6/373, 375, 379, 716, 716.1, 716.2, D6/716.3, 716.4
CPC .. A47C 3/12; A47C 5/12; A47C 7/004; A47C 7/022; A47C 7/16; A47C 7/40
See application file for complete search history.

(56) **References Cited**

U.S. PATENT DOCUMENTS

1,961,641 A	6/1934	Ollis
2,217,893 A	10/1940	Dunajeff
2,799,323 A	7/1957	Berg
2,993,733 A	7/1961	Pinkham
3,080,195 A	3/1963	Berg
D197,643 S	3/1964	Kramer
3,133,765 A	5/1964	Kramer
3,201,172 A	8/1965	Bliss
3,463,547 A	8/1969	Brennan et al.

D220,388 S *	4/1971	Kramer	D6/366
3,583,759 A	6/1971	Kramer		
3,601,176 A	8/1971	Savickas		
3,669,499 A	6/1972	Semplonius et al.		
3,740,096 A	6/1973	Bridger		
3,823,980 A	7/1974	Harnick		
3,827,750 A	8/1974	Fantoni		
D233,808 S *	12/1974	Ruf	D6/366
3,883,176 A	5/1975	Morton		
D236,173 S *	8/1975	Ruf	D6/366
3,942,836 A	3/1976	Baker		
D244,892 S *	7/1977	Koepke	D6/366
4,047,757 A	9/1977	Eames et al.		
D255,183 S	6/1980	Locher		
D255,184 S	6/1980	Locher		
D255,185 S	6/1980	Locher		
4,418,958 A	12/1983	Watkin		
4,498,702 A	2/1985	Raferly		

(Continued)

FOREIGN PATENT DOCUMENTS

DE 202007010030 9/2007

Primary Examiner — Mimosa De

(74) *Attorney, Agent, or Firm* — Price Heneveld LLP

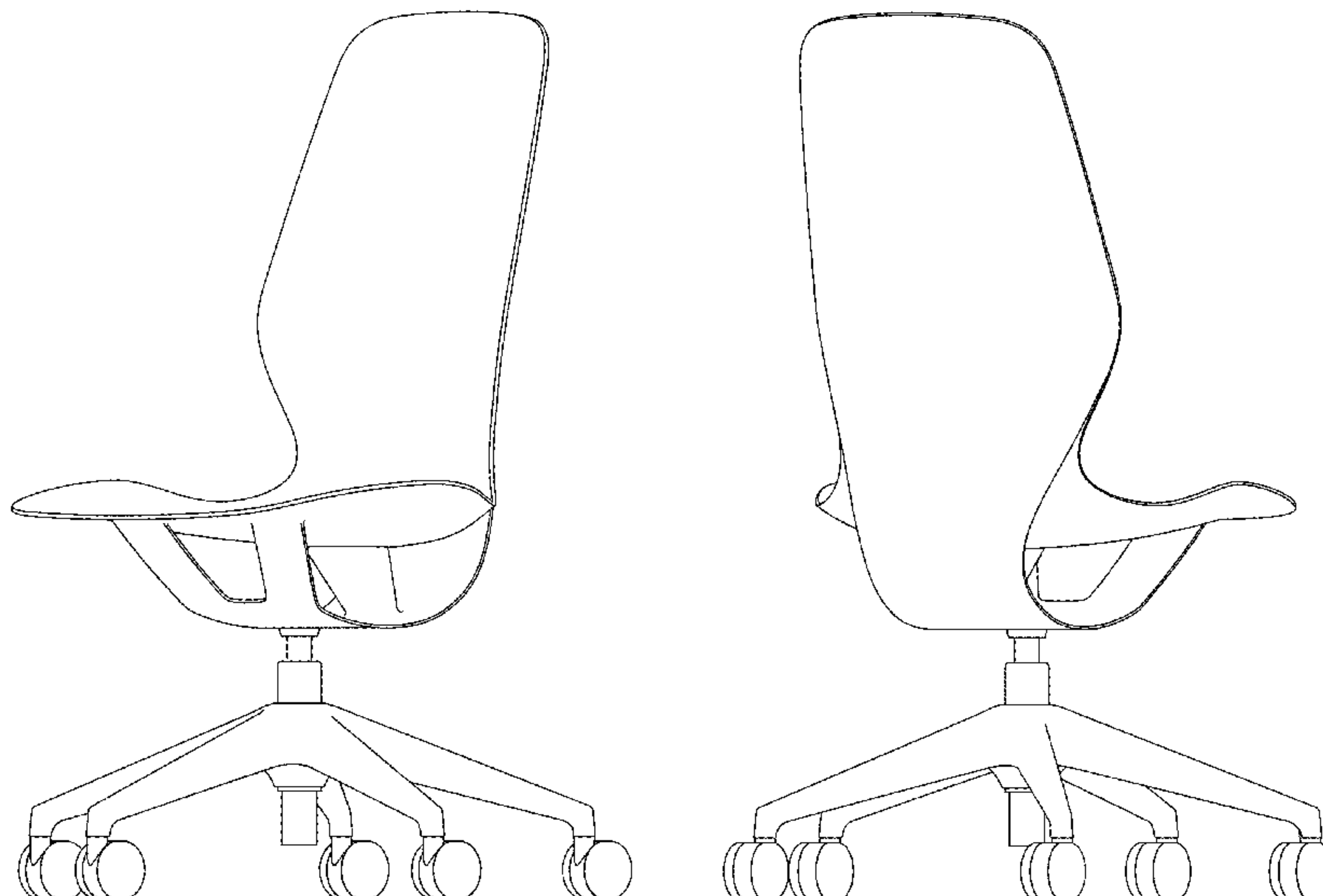
(57) **CLAIM**

The ornamental design for the chair, as shown.

DESCRIPTION

FIG. 1 is a top perspective view of a chair embodying the present invention;
FIG. 2 is a front perspective view of the chair;
FIG. 3 is a rear perspective view of the chair;
FIG. 4 is a front elevational view of the chair;
FIG. 5 is a rear elevational view of the chair;
FIG. 6 is a first side elevational view of the chair;
FIG. 7 is a second side elevational view of the chair;
FIG. 8 is a top plan view of the chair; and,
FIG. 9 is a bottom plan view of the chair.

1 Claim, 9 Drawing Sheets



(56)

References Cited

U.S. PATENT DOCUMENTS

4,500,137 A 2/1985 Morehouse
 4,529,247 A 7/1985 Stumpf et al.
 4,556,254 A 12/1985 Roberts
 D284,144 S 6/1986 Pedersen
 D289,120 S 4/1987 Chadwick et al.
 4,668,015 A 5/1987 Kjersem
 4,744,603 A 5/1988 Knoblock
 4,856,846 A 8/1989 Lohmeyer
 4,892,356 A 1/1990 Pittman et al.
 D307,221 S 4/1990 Mudge
 4,938,530 A 7/1990 Snyder et al.
 D312,003 S * 11/1990 Muller-Deisig D6/716
 D312,536 S * 12/1990 Muller-Deisig D6/366
 4,979,778 A 12/1990 Shields
 D318,184 S * 7/1991 Muller-Deisig D6/366
 5,050,931 A 9/1991 Knoblock
 5,067,772 A 11/1991 Koa
 5,076,646 A 12/1991 Matte
 5,102,196 A 4/1992 Kaneda et al.
 D326,370 S * 5/1992 Buchacz D6/366
 D328,980 S * 9/1992 Buchacz D6/366
 D346,909 S 5/1994 Obata et al.
 5,314,240 A 5/1994 Ishi et al.
 D348,571 S * 7/1994 Obata D6/366
 5,333,934 A 8/1994 Knoblock
 5,338,099 A 8/1994 Ishi et al.
 5,352,022 A 10/1994 Knoblock
 D353,718 S 12/1994 Olson
 5,411,316 A 5/1995 Lovegrove et al.
 5,499,413 A 3/1996 Van Hekken
 5,538,326 A 7/1996 Lorbiecki
 5,567,012 A 10/1996 Knoblock
 5,577,811 A 11/1996 Ogg
 D381,525 S 7/1997 James
 D390,384 S 2/1998 Schultz et al.
 5,713,632 A 2/1998 Su
 D393,968 S 5/1998 Pennington et al.
 D394,961 S 6/1998 Fancelli
 5,791,736 A 8/1998 Herbert
 5,957,534 A 9/1999 Wilkerson et al.
 D417,558 S 12/1999 Staubach et al.
 5,997,094 A 12/1999 Cvek
 6,079,782 A 6/2000 Berg et al.
 D433,834 S 11/2000 Neil
 D437,497 S 2/2001 Bräuning
 6,217,121 B1 4/2001 Mollet
 D444,307 S 7/2001 Minami
 D445,613 S 7/2001 Ginat
 D451,723 S 12/2001 Grove
 D456,625 S 5/2002 Frenkler et al.
 6,409,268 B1 6/2002 Cvek
 D470,320 S 2/2003 Schloss
 D473,407 S 4/2003 Ross
 6,634,717 B2 10/2003 Kown
 6,722,735 B2 4/2004 Lucci et al.
 6,786,548 B2 9/2004 Pearce et al.
 D498,070 S 11/2004 Sauer
 6,817,667 B2 11/2004 Pennington et al.
 D507,437 S 7/2005 Klaasen et al.
 D507,909 S 8/2005 Grove
 6,935,690 B2 8/2005 Lucci et al.

D510,668 S 10/2005 Eldøy
 D513,911 S 1/2006 Glass et al.
 D514,339 S 2/2006 Glass et al.
 D516,831 S 3/2006 Eldøy
 D519,294 S 4/2006 Frenkler et al.
 D522,265 S 6/2006 Glass et al.
 D525,057 S 7/2006 Koch et al.
 D526,134 S 8/2006 Glass et al.
 D542,553 S 5/2007 Peitz et al.
 7,213,886 B2 5/2007 Schmitz et al.
 D544,230 S 6/2007 Glass et al.
 7,226,130 B2 6/2007 Tubergen et al.
 D549,018 S 8/2007 Glass et al.
 D553,380 S 10/2007 Natuzzi
 D557,532 S 12/2007 True et al.
 D561,499 S 2/2008 Schweikarth et al.
 D566,979 S 4/2008 Cox et al.
 D572,049 S 7/2008 Kerr
 7,396,077 B2 7/2008 Boulva
 D597,758 S 8/2009 Barrett et al.
 7,600,820 B2 10/2009 Bouche et al.
 D609,036 S 2/2010 Miller et al.
 D628,831 S 12/2010 Schmitz et al.
 7,926,879 B2 4/2011 Schmitz et al.
 D637,017 S 5/2011 Aoki
 7,992,936 B2 8/2011 Schmitz et al.
 D646,088 S 10/2011 Ballendat
 D646,511 S 10/2011 Ballendat
 D654,280 S 2/2012 Fujita
 D654,291 S 2/2012 Pearson et al.
 D660,056 S 5/2012 Difrient
 D661,915 S 6/2012 Greutmann
 D663,129 S 7/2012 Greutmann
 D663,132 S 7/2012 Morrison
 D669,279 S 10/2012 Eldøy
 D669,701 S 10/2012 Starck
 8,282,169 B2 10/2012 Schmitz et al.
 8,282,172 B2 10/2012 Schmitz et al.
 D670,099 S 11/2012 Olivares
 D678,690 S * 3/2013 Eldoy D6/366
 D680,765 S 4/2013 Ballendat
 8,414,073 B2 4/2013 Schmitz et al.
 D683,558 S 6/2013 Rada et al.
 D683,979 S * 6/2013 Miller D6/366
 8,616,640 B2 12/2013 van Hekken
 8,657,374 B2 2/2014 Higgs
 D701,053 S 3/2014 Smith et al.
 D705,560 S 5/2014 Sato
 D707,461 S 6/2014 Rada et al.
 D715,573 S 10/2014 Lloyd et al.
 D723,826 S 3/2015 Kaloustian et al.
 D729,538 S 5/2015 Kotilainen
 9,049,936 B2 6/2015 Leone et al.
 D733,445 S 7/2015 Izawa et al.
 D742,153 S 11/2015 Hui et al.
 D743,180 S 11/2015 Mehaffey et al.
 D759,414 S 6/2016 Mehaffey et al.
 D761,579 S * 7/2016 Lievore D6/366
 2007/0205648 A1 9/2007 Huang
 2009/0261644 A1 10/2009 Piretti
 2012/0228911 A1 9/2012 Piretti
 2013/0099548 A1 4/2013 Schmitz et al.
 2014/0077573 A1 3/2014 Schneider et al.

* cited by examiner

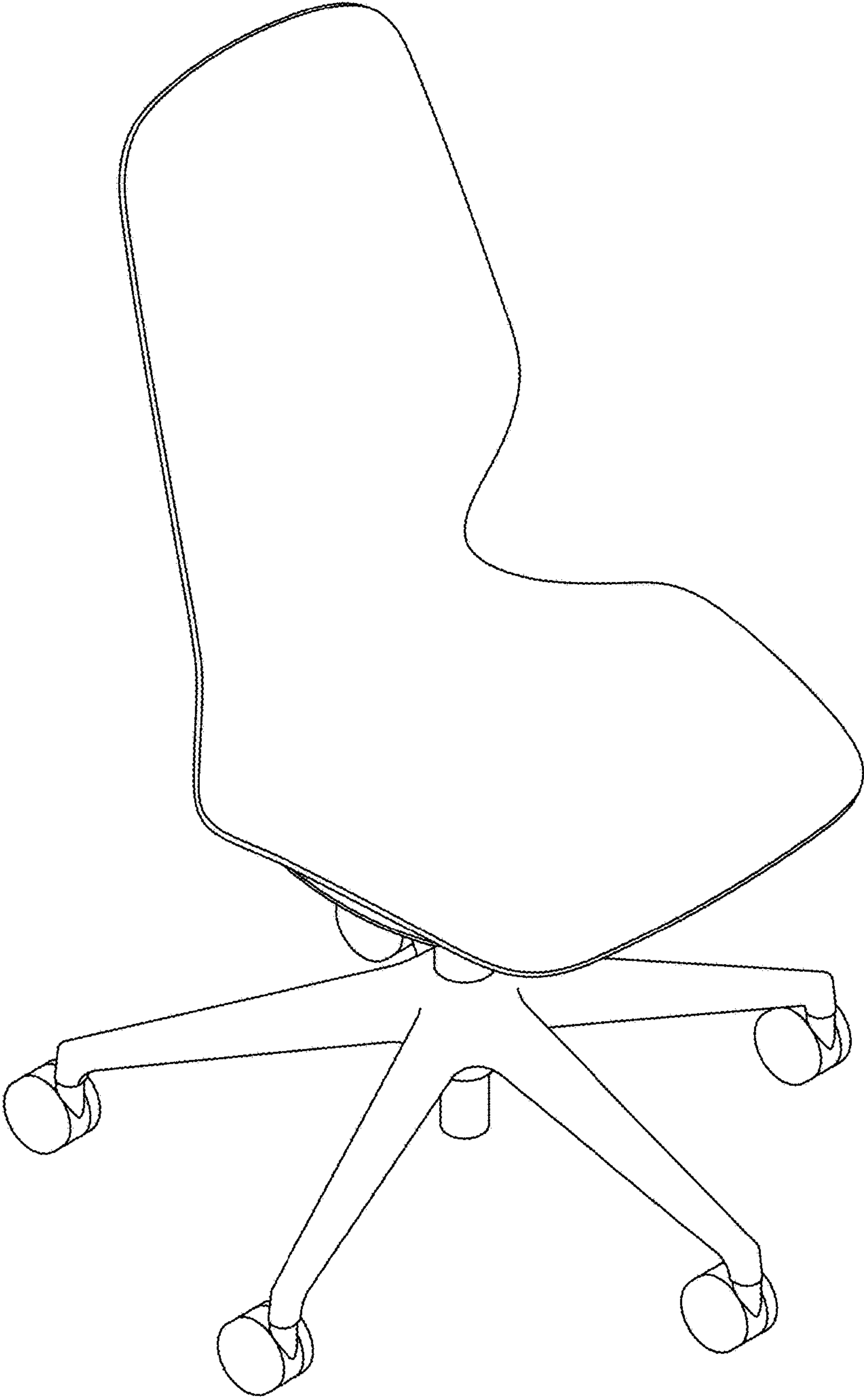


FIG. 1

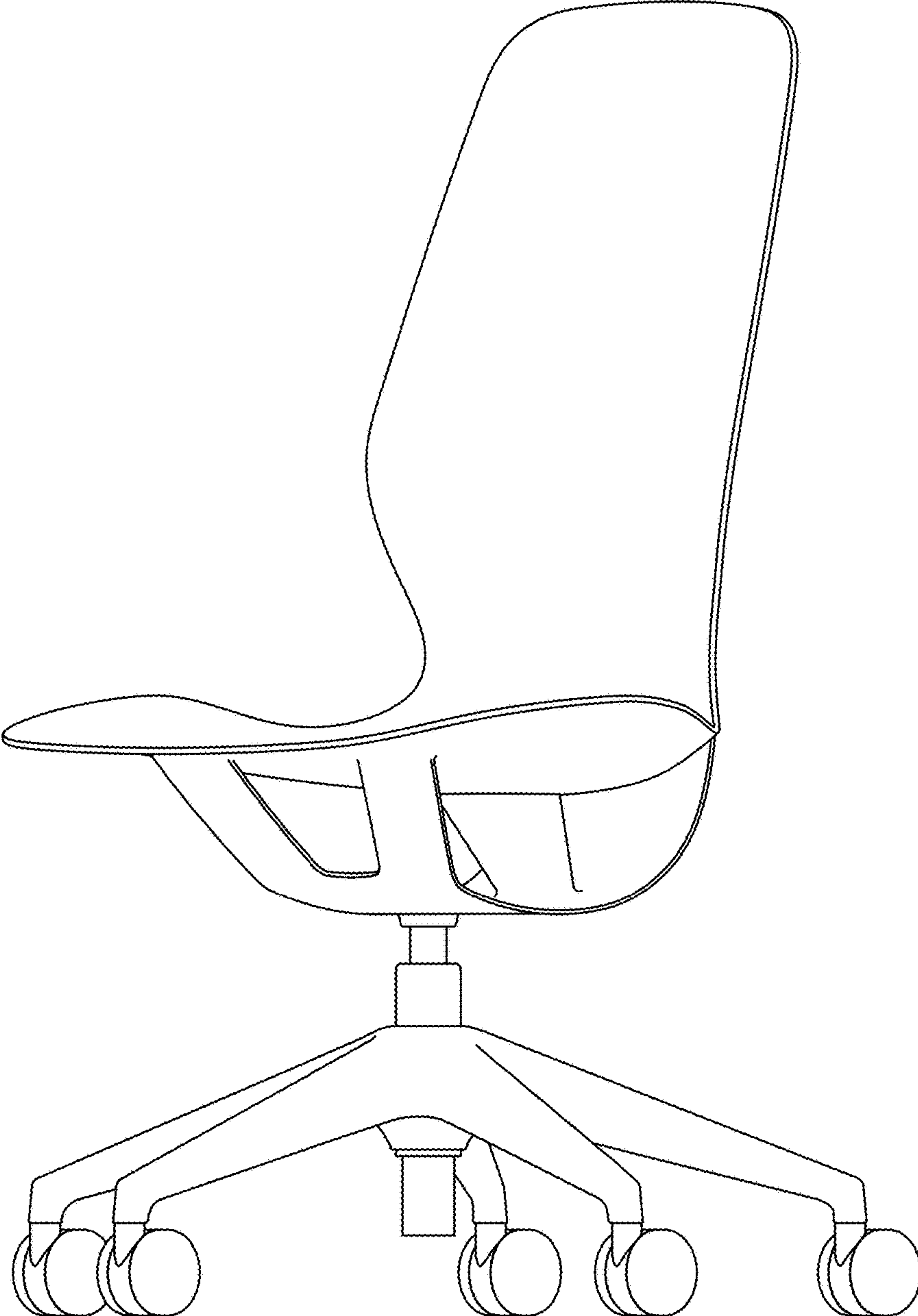


FIG. 2

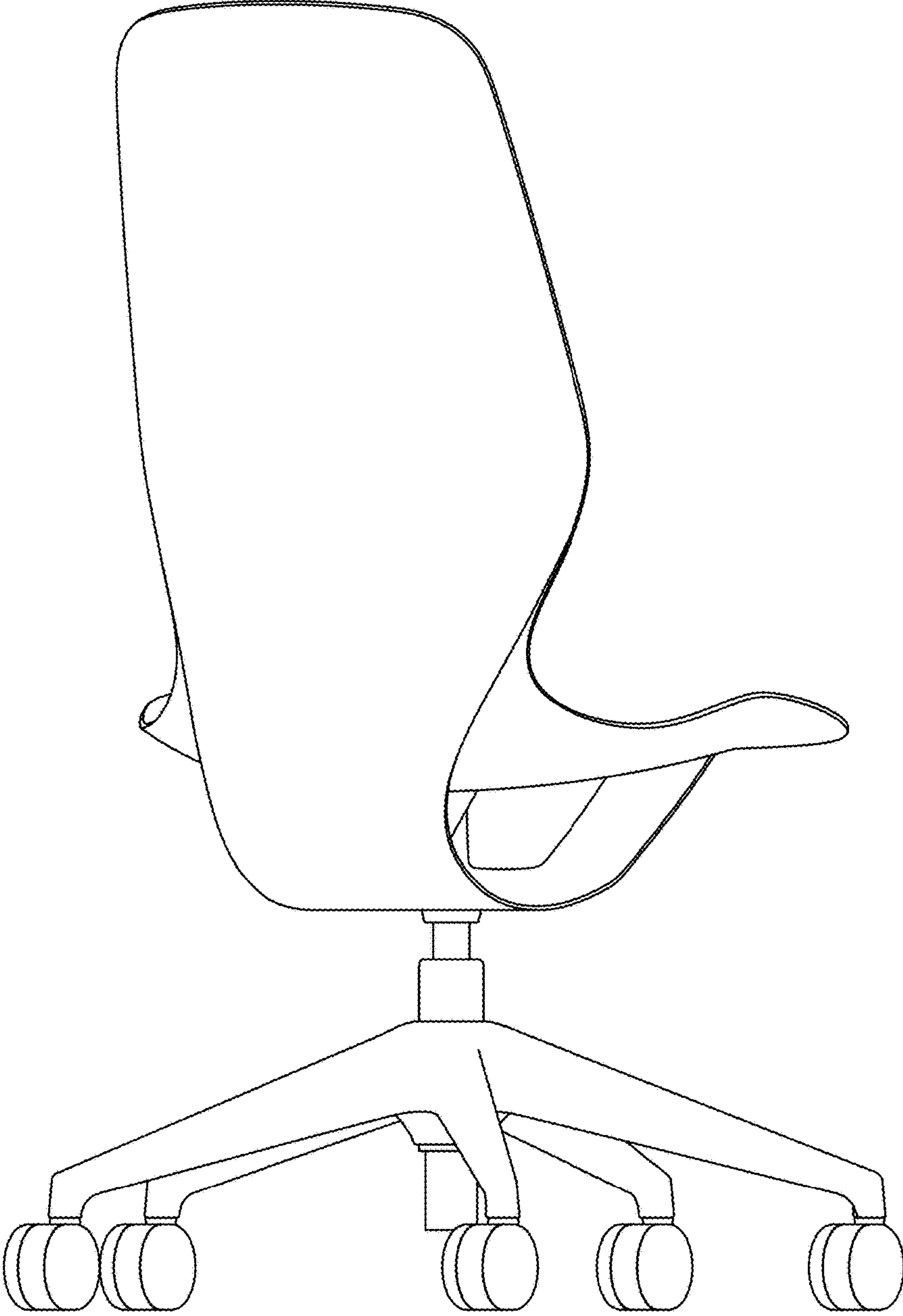


FIG. 3

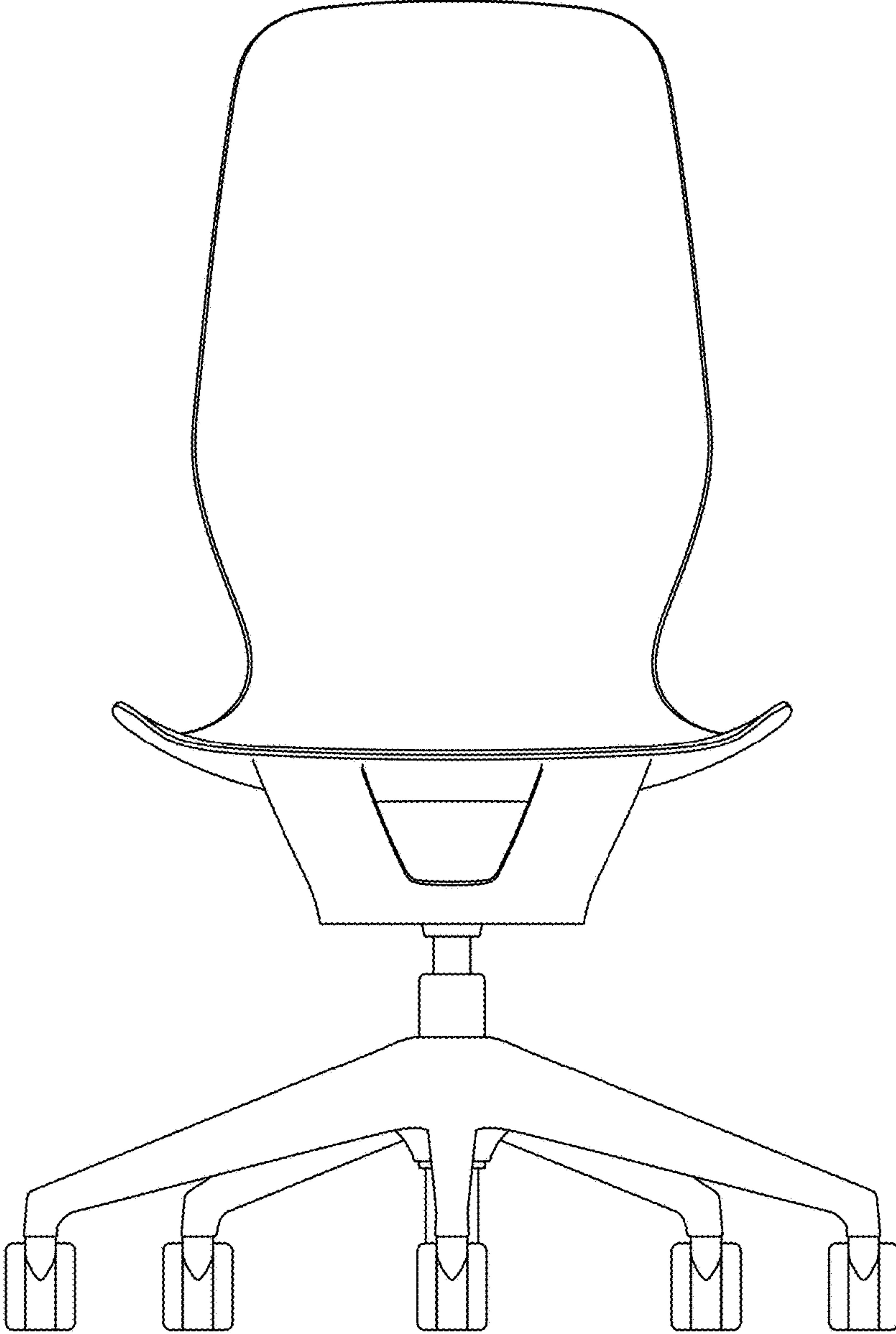


FIG. 4

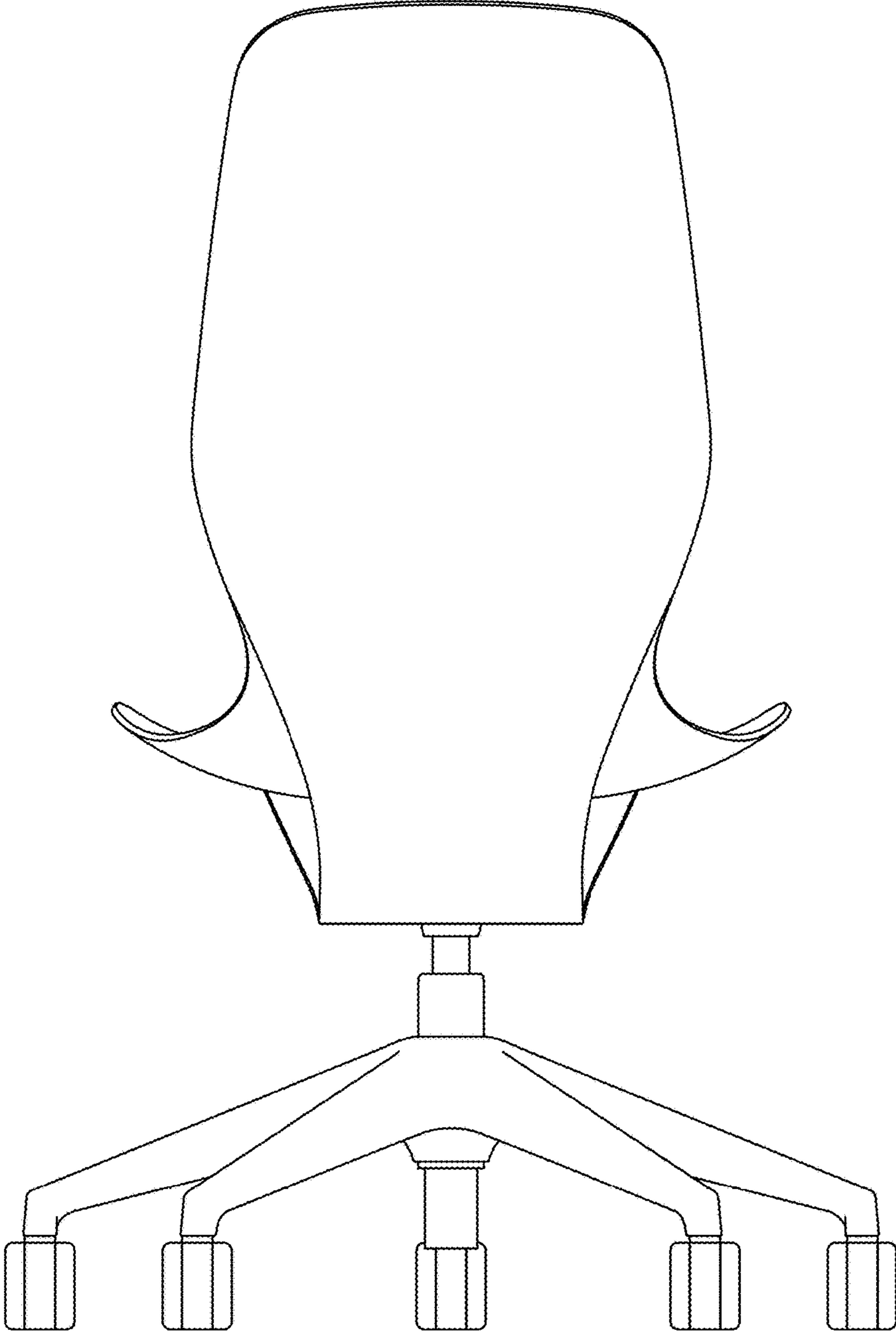


FIG. 5

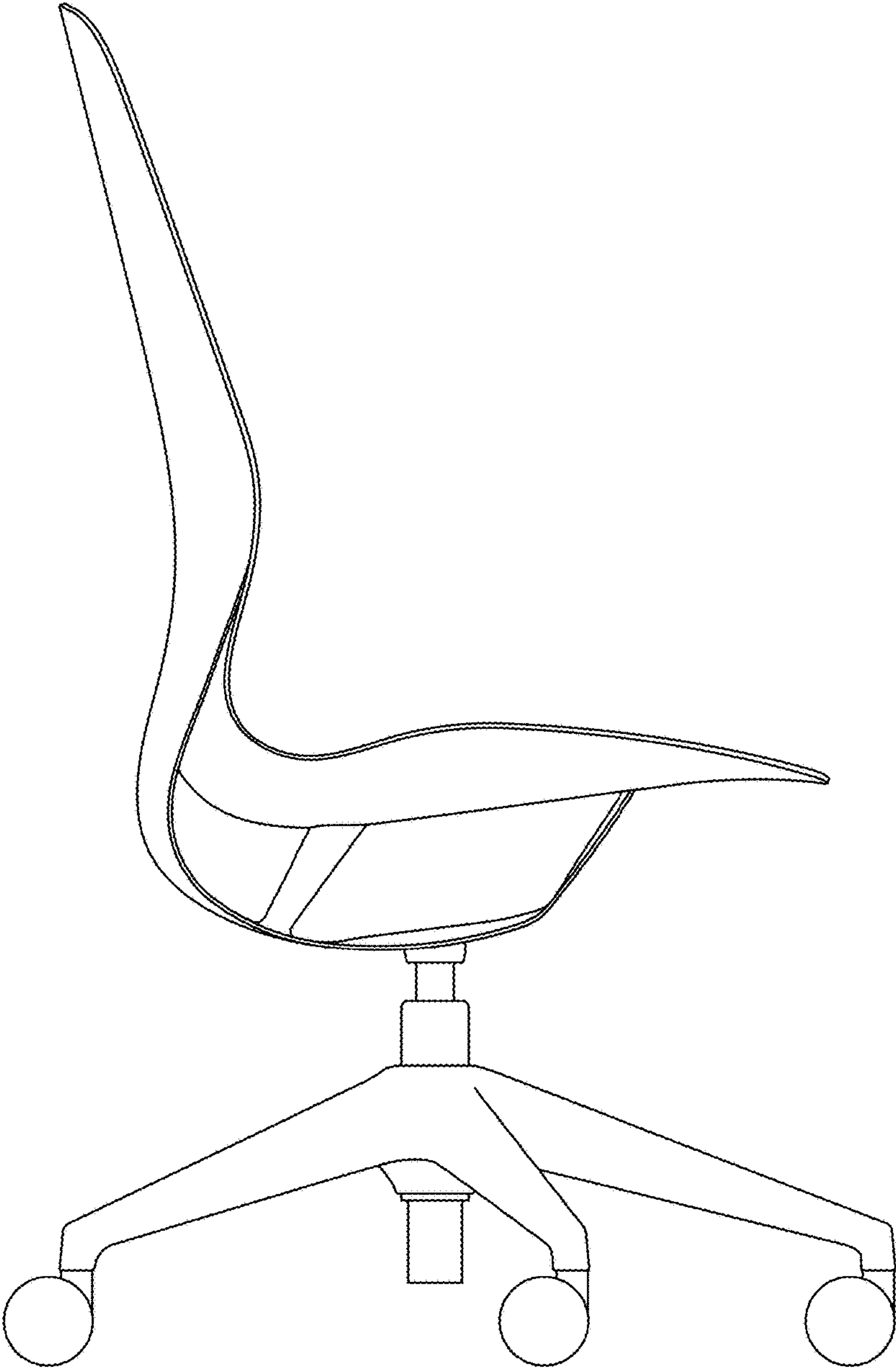


FIG. 6

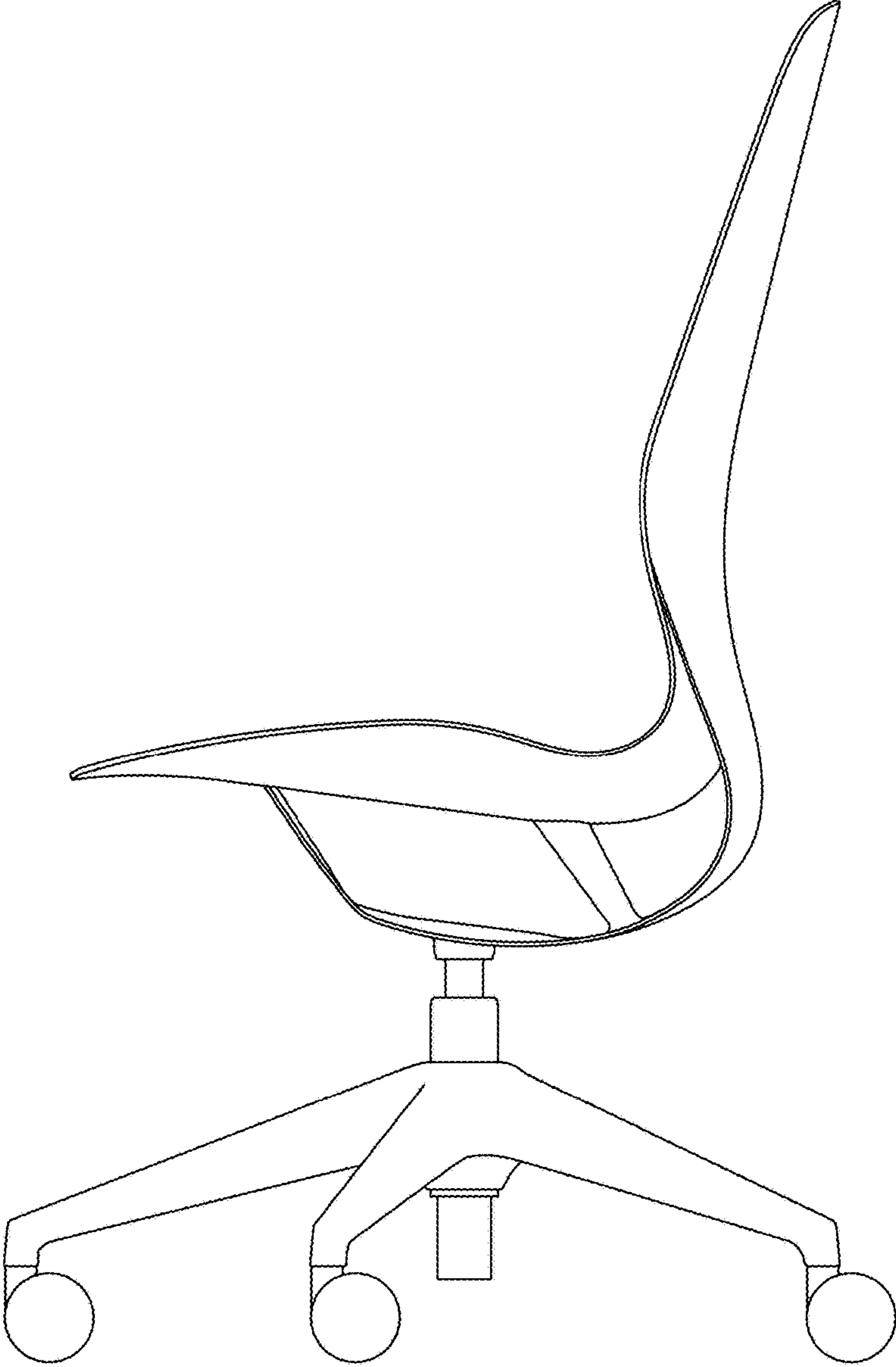


FIG. 7

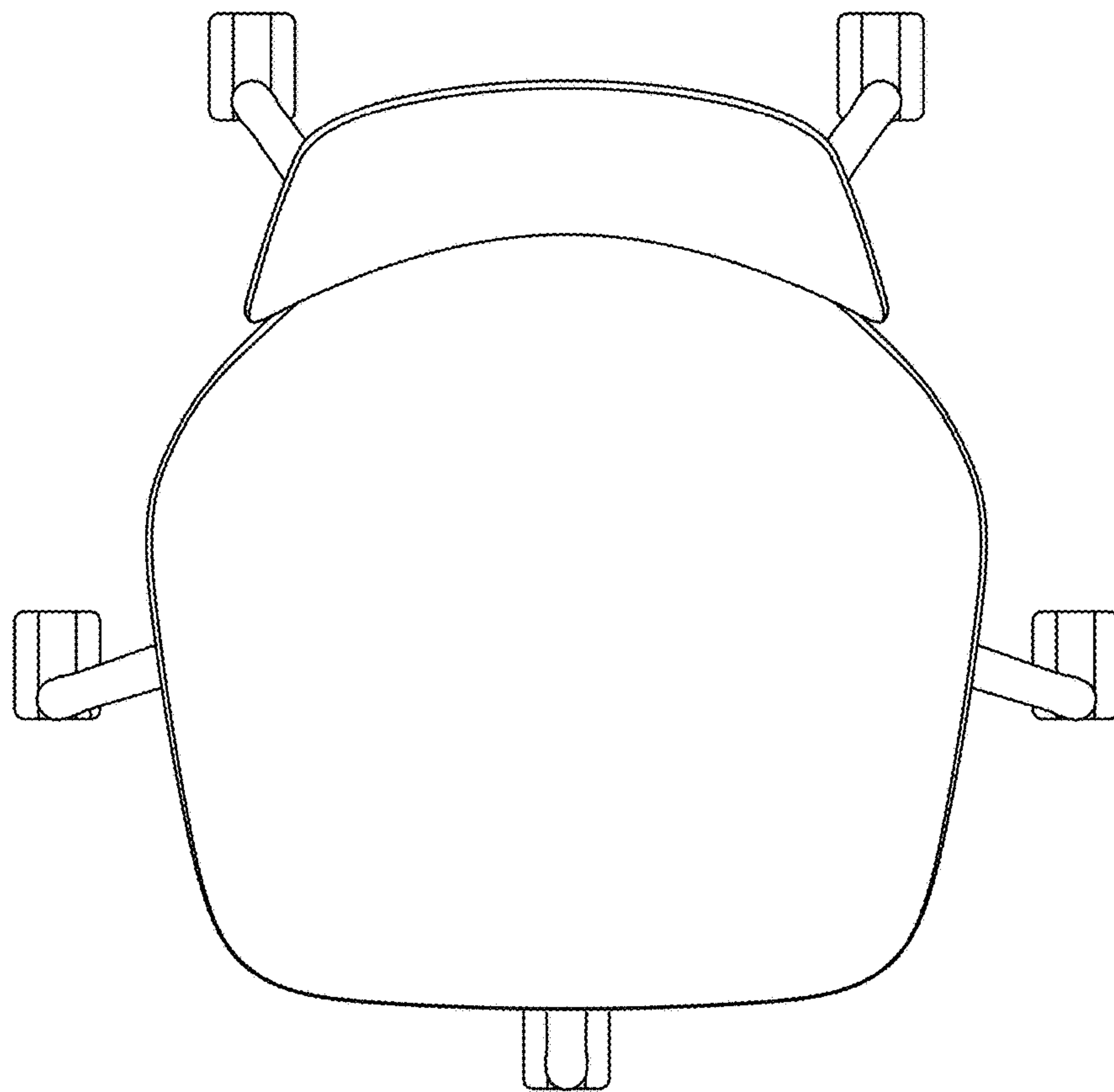


FIG. 8

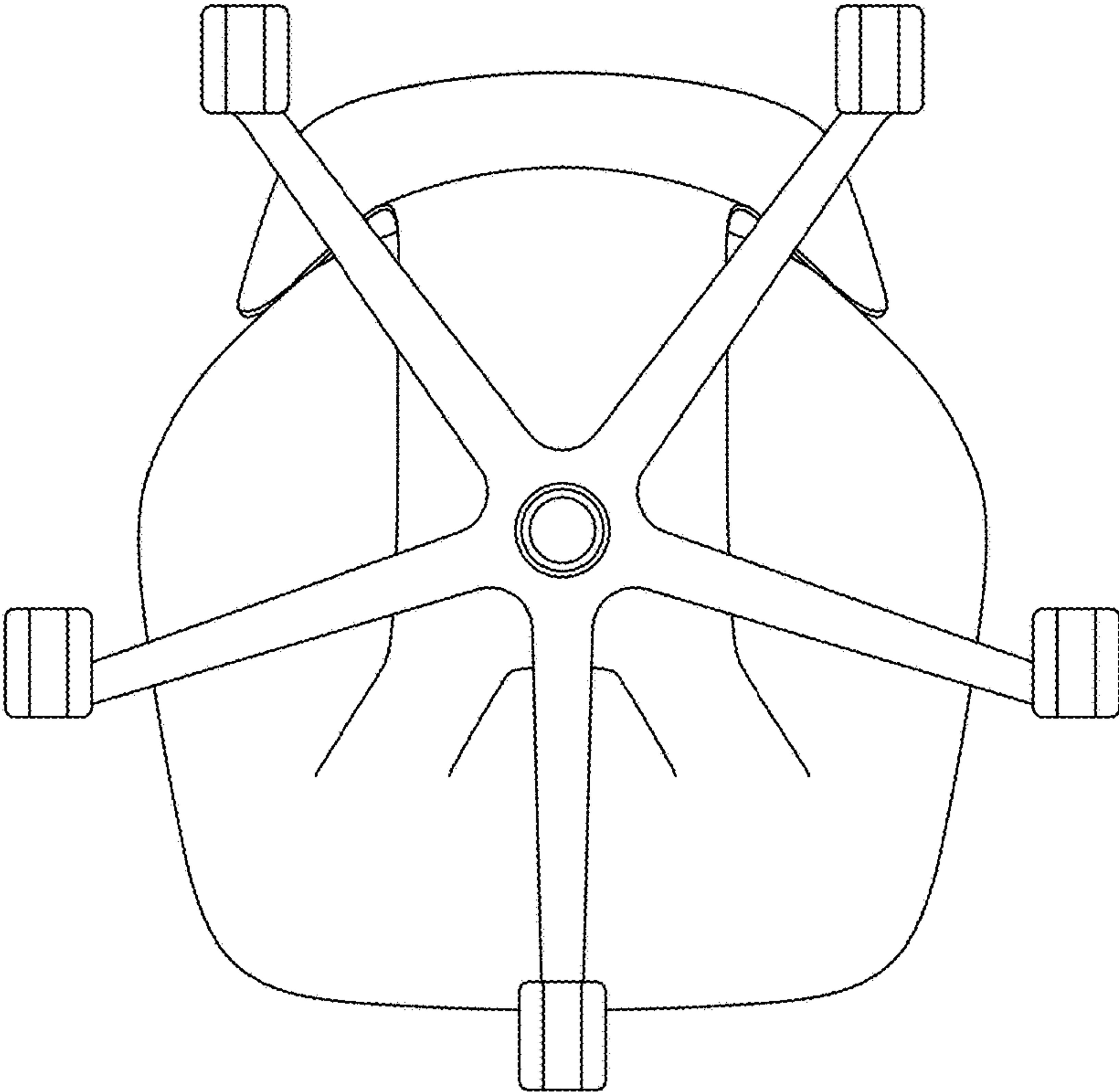


FIG. 9