



US00D804203S

(12) **United States Design Patent** (10) **Patent No.:** **US D804,203 S**
Beldramme (45) **Date of Patent:** **** Dec. 5, 2017**

- (54) **STOOL**
- (71) Applicant: **GENESIS INTERIORS LLC**, Fort Lauderdale, FL (US)
- (72) Inventor: **Alice Beldramme**, North Miami, FL (US)
- (73) Assignee: **GENESIS INTERIORS, LLC**
- (**) Term: **15 Years**
- (21) Appl. No.: **29/603,272**
- (22) Filed: **May 8, 2017**
- (51) **LOC (10) Cl.** **06-01**
- (52) **U.S. Cl.**
USPC **D6/349**; D6/691.3
- (58) **Field of Classification Search**
USPC D6/334, 349-355, 363, 360, 368, 374, D6/403, 405, 657, 675.4, 685, 688.17, D6/690, 691.9, 693-693.3, 695, 708, D6/708.15-708.25, 709.11; D25/62-65; D9/691.3
CPC A47C 9/00-9/105; A47C 7/00-7/02; A47C 16/00-16/04; A47B 7/00-7/02; A47B 3/00; A47B 3/02; A47B 3/04; A47B 3/12
See application file for complete search history.

D434,254 S *	11/2000	Turner	D6/716.1
D488,006 S *	4/2004	Deichmann	D6/697
D530,942 S *	10/2006	Relling	D6/691.8
D554,910 S *	11/2007	Krady	D6/690
D572,504 S *	7/2008	Machin	D6/690
D589,710 S *	4/2009	De La Haye	D6/365
D644,456 S *	9/2011	Martin	D6/690
D648,559 S *	11/2011	Thau	D6/373
D706,045 S	6/2014	Cohen		
D723,814 S *	3/2015	Hagstrom	D6/335
D728,951 S	5/2015	Yoshida		
D742,127 S	11/2015	Rogers		
D764,191 S	8/2016	Gelman		
D764,197 S	8/2016	Yoshida		
D764,198 S	8/2016	Yoshida		

OTHER PUBLICATIONS

Ribou. [online] Retrieved Jun. 15, 2017 from URL: <<https://www.genesisinteriors.com/furniture-specs-details>>.*
Stella table. [online] Retrieved Jul. 5, 2017 from URL: <<https://www.boblawsondesign.com/store/stella-table>>.*

(Continued)

Primary Examiner — Vy N Koenig
(74) *Attorney, Agent, or Firm* — Daniel S. Polley, P.A.

(57) **CLAIM**

The ornamental design for a stool, as shown and described.

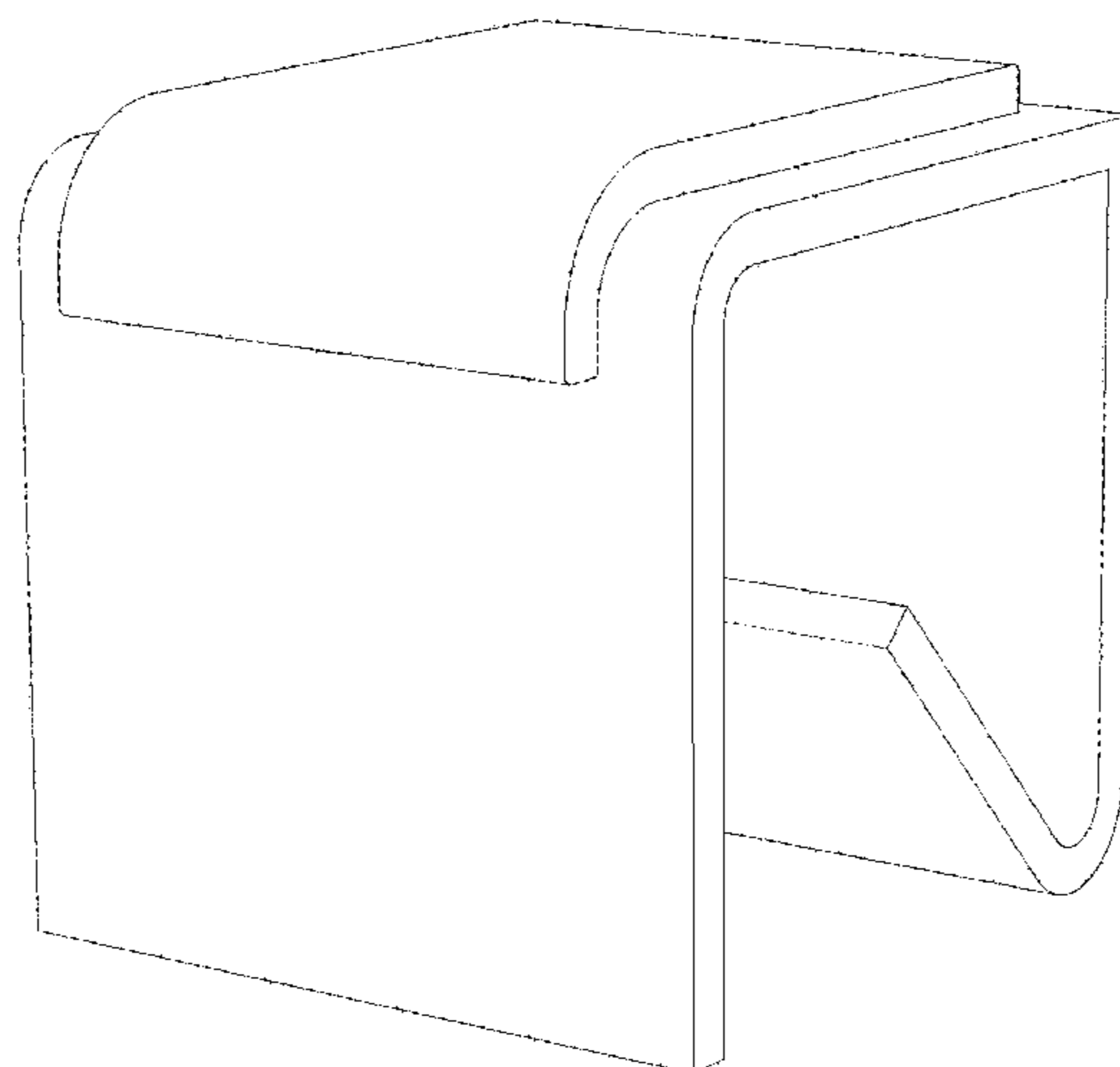
DESCRIPTION

FIG. 1 is a front, right and top perspective view of the stool, showing the new design;
FIG. 2 is a top plan view thereof;
FIG. 3 is a left side elevation view thereof;
FIG. 4 is a right side elevation view thereof;
FIG. 5 is a rear side elevation view thereof;
FIG. 6 is a front side elevation view thereof; and,
FIG. 7 is a bottom plan view thereof.

1 Claim, 7 Drawing Sheets

(56) **References Cited**
U.S. PATENT DOCUMENTS

D252,840 S *	9/1979	Scholten	D6/375
D278,101 S *	3/1985	McCabe	D6/673
D289,346 S *	4/1987	Arato	D6/310
D296,284 S *	6/1988	Colby	D6/690
D401,426 S *	11/1998	Hu	D6/349
D427,814 S *	7/2000	Black	D6/690
6,116,165 A *	9/2000	Kadesky	A47B 23/002
				108/161



(56)

References Cited

OTHER PUBLICATIONS

Mod Made—Magazine Rack End Table Stool in Clear. [online]
Retrieved Jun. 27, 2017 from URL: <<http://www.simplymodernfurniture.com/modmademagazinerackendtablestoolclear.html?gclid=CJrykZjk3tQCFcmPswodUK8CEw>>.*
Mag Table Magazine Holder End Table / Stool by Eric Pfeiffer.
[online] Retrieved Jun. 27, 2017 from URL: <<http://www.gibraltarfurniture.com/offmagtable.html>>.*

* cited by examiner

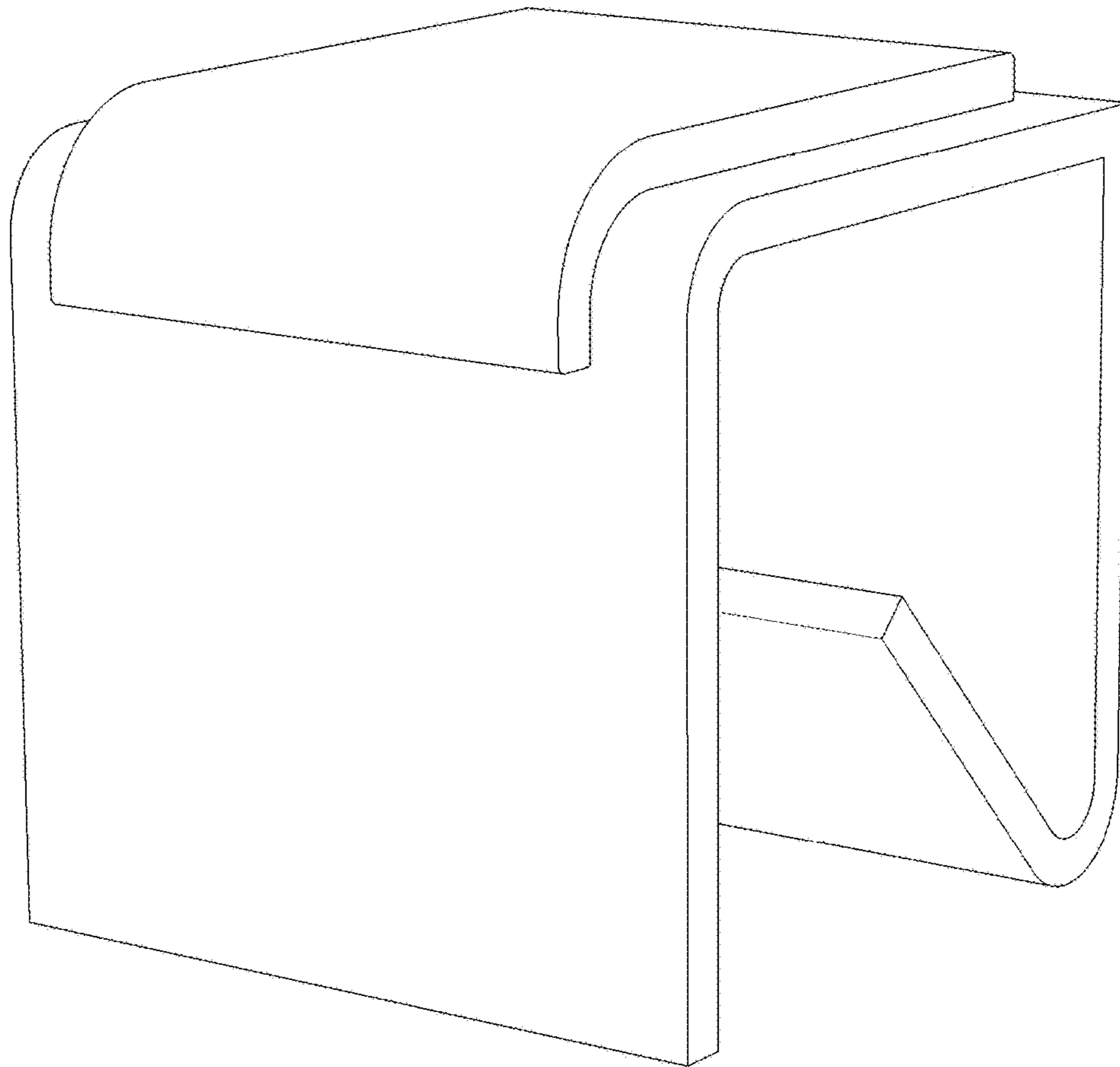


Fig.1

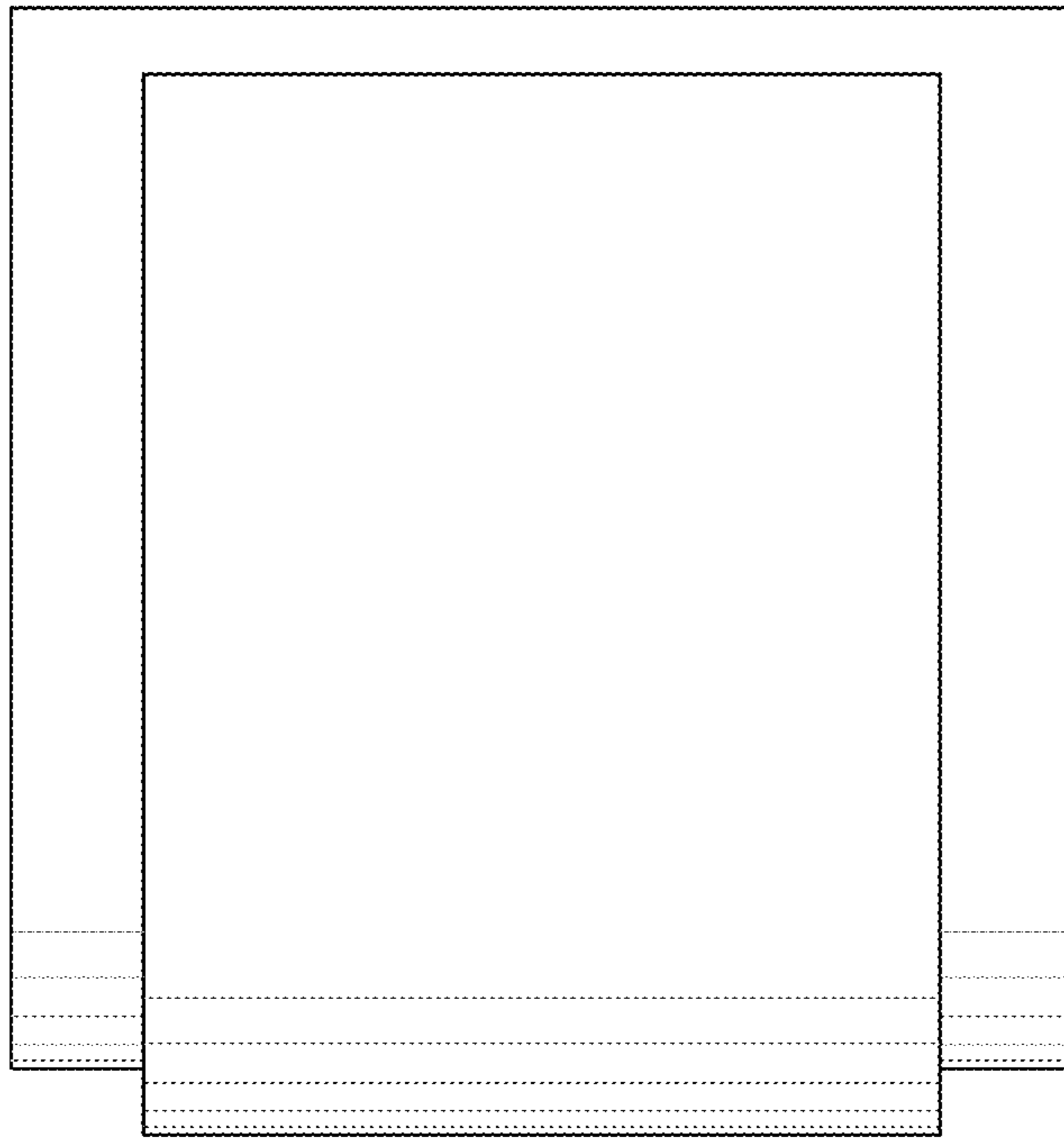


Fig. 2

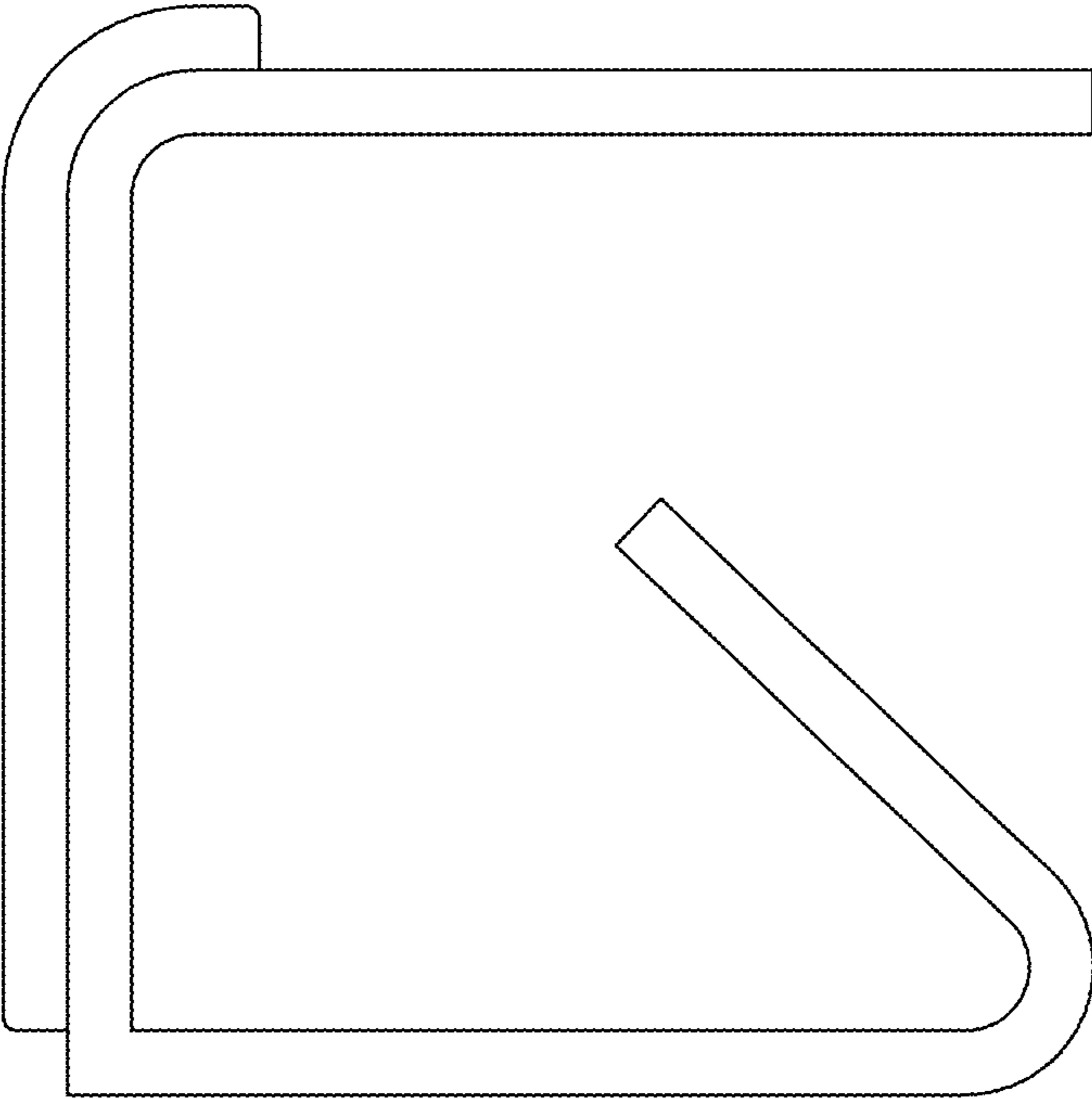


Fig. 3

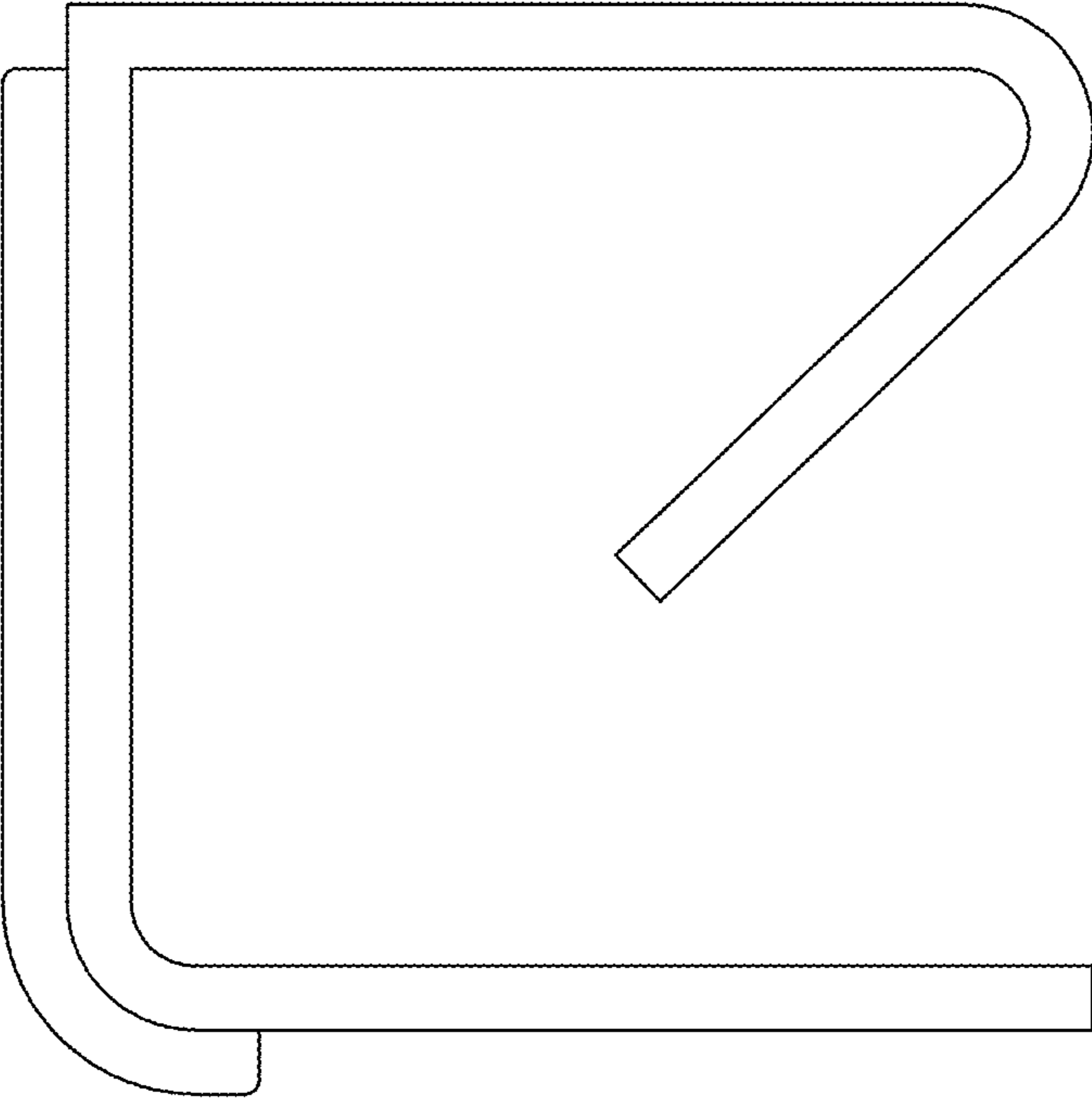


Fig. 4

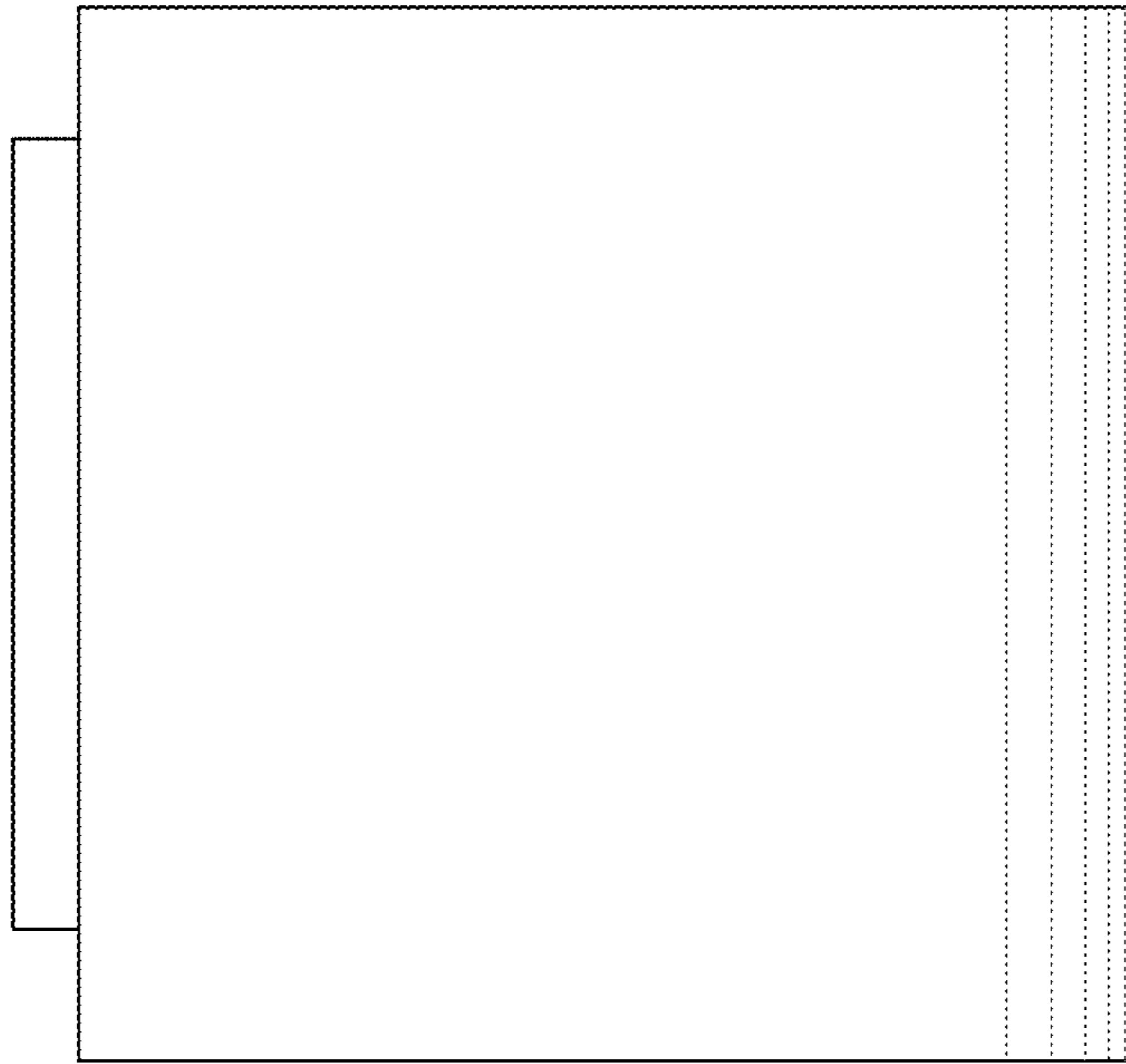


Fig. 5

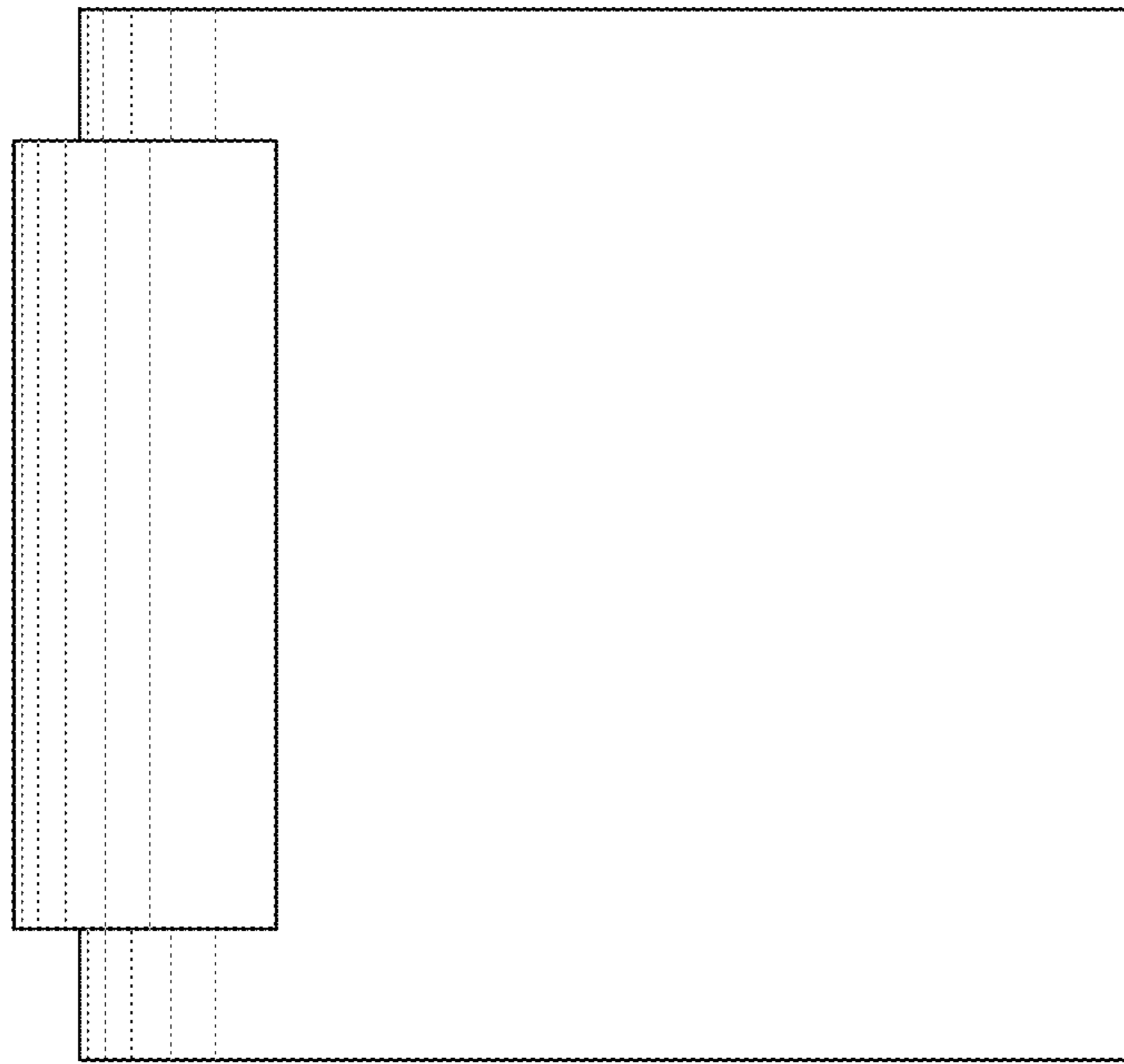


Fig. 6

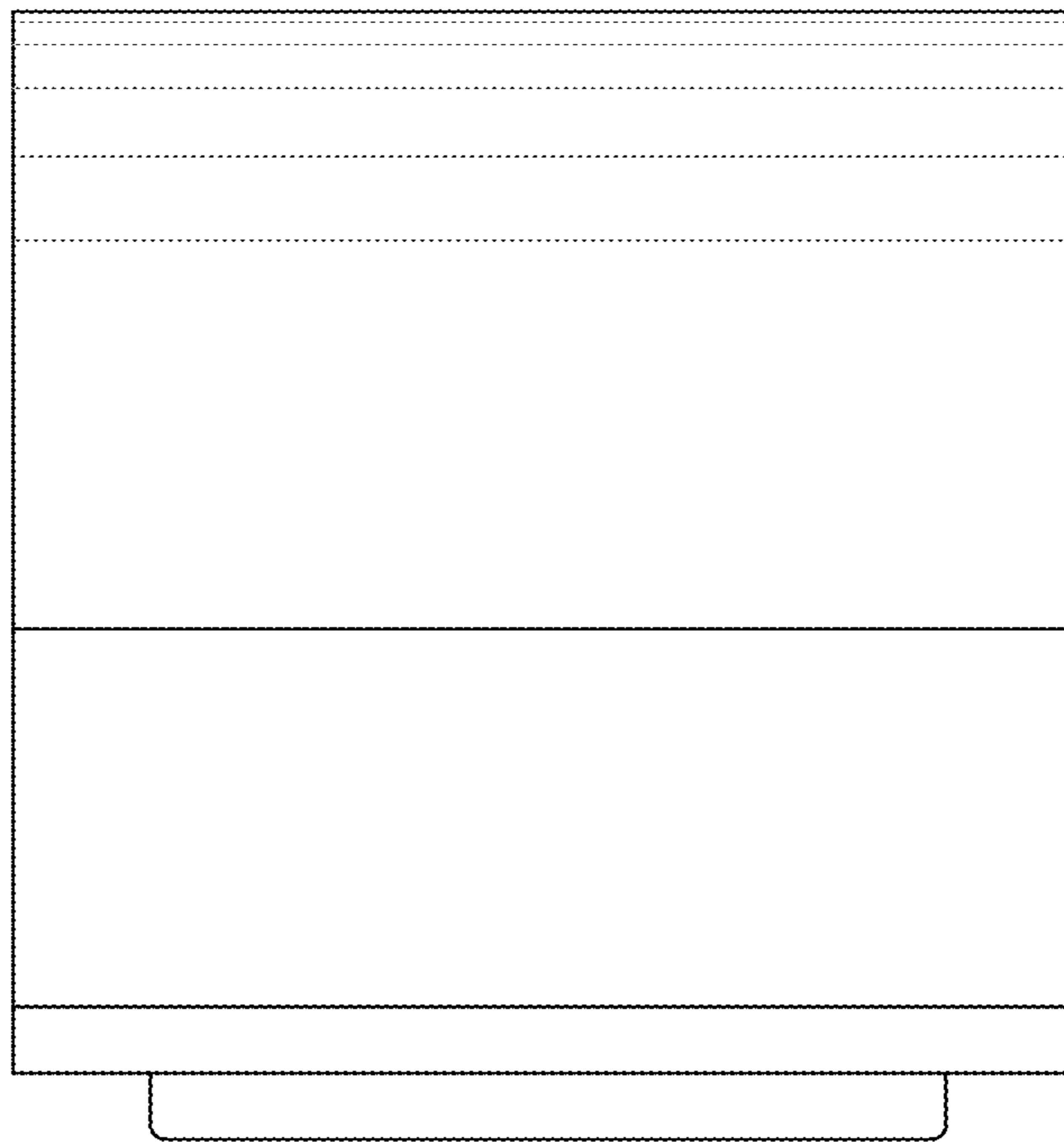


Fig. 7