



US00D804202S

(12) **United States Design Patent** (10) **Patent No.:** **US D804,202 S**  
**Proctor** (45) **Date of Patent:** **\*\* Dec. 5, 2017**

(54) **STOOL**  
(71) Applicant: **Cynthia J. Proctor**, Aurora (CA)  
(72) Inventor: **Cynthia J. Proctor**, Aurora (CA)  
(\*\*) Term: **15 Years**  
(21) Appl. No.: **29/580,018**  
(22) Filed: **Oct. 5, 2016**  
(51) **LOC (10) Cl.** ..... **06-01**  
(52) **U.S. Cl.**  
USPC ..... **D6/349**  
(58) **Field of Classification Search**  
USPC ..... D6/334, 349-355, 358, 360-368,  
D6/371-374, 403, 405, 406.3, 601, 604,  
D6/657, 675.4, 685, 688.17, 690,  
D6/691-691.9, 692-692.6, 693-693.3,  
D6/695, 707.2, 708, 708.2,  
D6/708.15-708.25, 709.11, 716-716.3;  
D25/62-65  
CPC ..... A47C 9/02; A47C 9/007; A47C 9/027;  
A47C 7/002; A47C 7/18; A47C 16/02;  
A47C 16/04; A47C 3/18; A47C 3/203;  
A47C 12/00; A47C 13/00; A47B 7/00;  
A47B 7/02; A47B 9/00; A47B 13/02;  
A47B 23/00; A47B 39/00  
See application file for complete search history.

D705,554 S \* 5/2014 Edwards ..... D6/349  
D723,814 S \* 3/2015 Hagstrom ..... D6/335  
D738,126 S \* 9/2015 Edwards ..... D6/349  
D755,313 S \* 5/2016 Dima ..... D21/687  
D765,997 S \* 9/2016 Sandgrund ..... D6/327  
D779,585 S \* 2/2017 Dedrick ..... D17/20  
D789,703 S \* 6/2017 Qiao ..... A47C 7/68  
D6/406.3  
2009/0194495 A1 \* 8/2009 Kellogg ..... B88C 1/002  
211/85.11  
2017/0164732 A1 \* 6/2017 Hebenthal ..... A47B 39/00

**OTHER PUBLICATIONS**

Natural Stool Made from Layers of Bamboo Veneer. [online] Published on Nov. 3, 2013. Retrieved Sep. 5, 2017 from URL:<http://www.marvelbuilding.com/natural-stool-layers-bamboo-veneer-hangzhou-stool.html>.  
Arc Stool moddea. [online] Published on Mar. 2, 2016. Retrieved Sep. 5, 2017 from URL:<https://moddea.com/2016/01/11/arc-stool/>.

(Continued)

*Primary Examiner* — Vy N Koenig  
(74) *Attorney, Agent, or Firm* — Vincent G. LoTempio; Kloss, Stenger & LoTempio; David T. Stephenson

(57) **CLAIM**

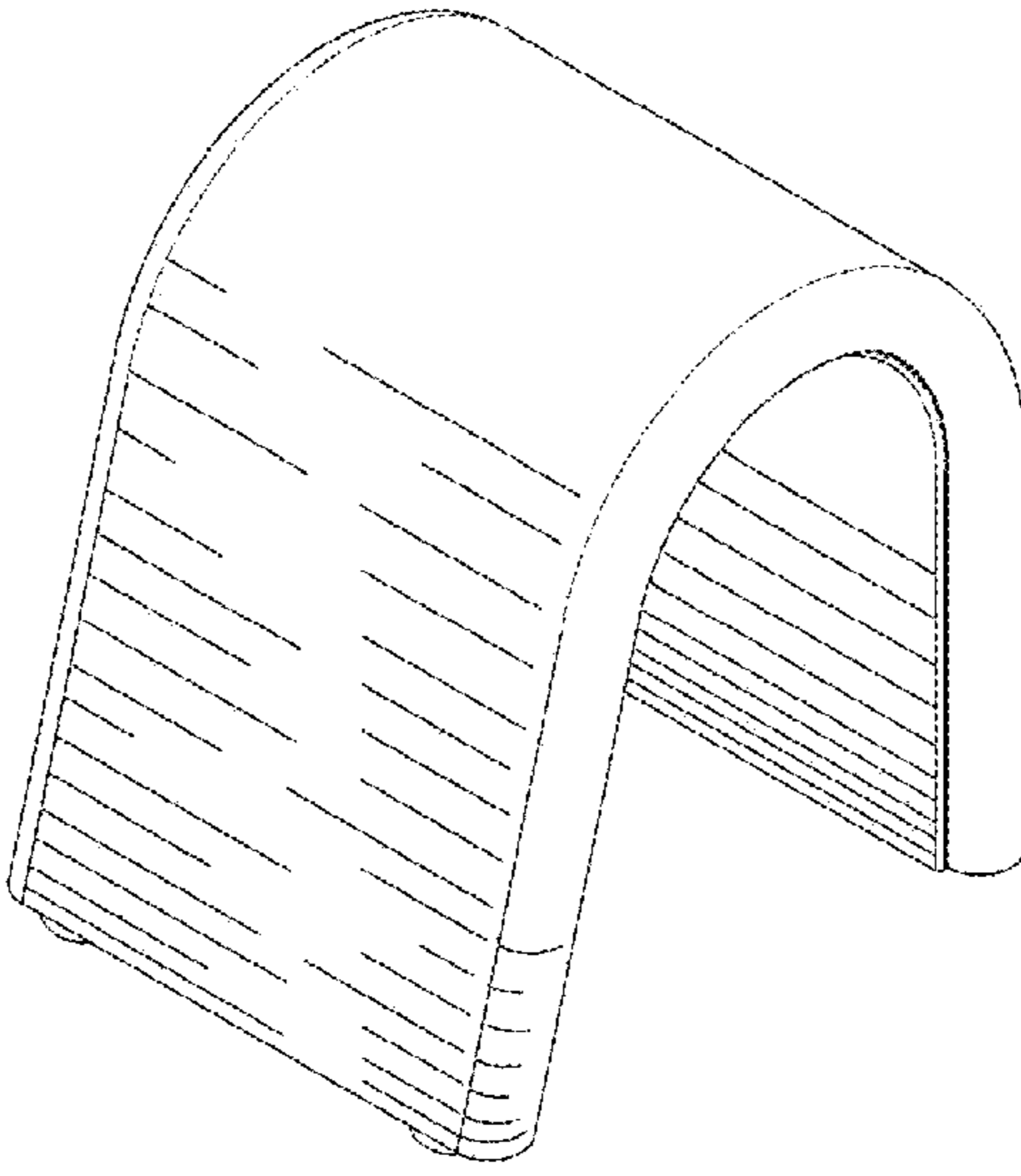
The ornamental design for a stool, as shown and described.

**DESCRIPTION**

FIG. 1 is a top perspective view of the stool showing my new design;  
FIG. 2 is a bottom perspective view;  
FIG. 3 is a front view with the back view being a mirror image thereof;  
FIG. 4 is a left side view with the right side being a mirror image thereof;  
FIG. 5 is a bottom view thereof; and,  
FIG. 6 is a top view of my new design.

**1 Claim, 2 Drawing Sheets**

(56) **References Cited**  
U.S. PATENT DOCUMENTS  
D276,669 S \* 12/1984 Petersson ..... D6/335  
D296,284 S \* 6/1988 Colby ..... D6/690  
D396,357 S \* 7/1998 Perrin ..... D6/349  
D444,322 S \* 7/2001 Yoshino ..... D6/690  
D449,386 S \* 10/2001 Cheris ..... D25/65  
D462,204 S \* 9/2002 Ross ..... D6/690  
D472,069 S \* 3/2003 Sedor ..... D6/652  
D473,724 S \* 4/2003 Hans De Wit ..... D6/336  
D646,440 S \* 10/2011 Chance ..... D30/130



(56)

**References Cited**

OTHER PUBLICATIONS

Shower Accessories Ice Torri. [online] Published on Aug. 5, 2014.  
Retrieved Sep. 5, 2017 from URL:<https://www.soakology.co.uk/soakology-ice-torri-solid-surface-stool/>.\*

Contour Embroidered Arc Stool. [online] Retrieved Sep. 5, 2017  
from URL:<http://www.custhom.co.uk/shop/product/contour-embroidered-arc-stool-cardinal/>.\*

\* cited by examiner

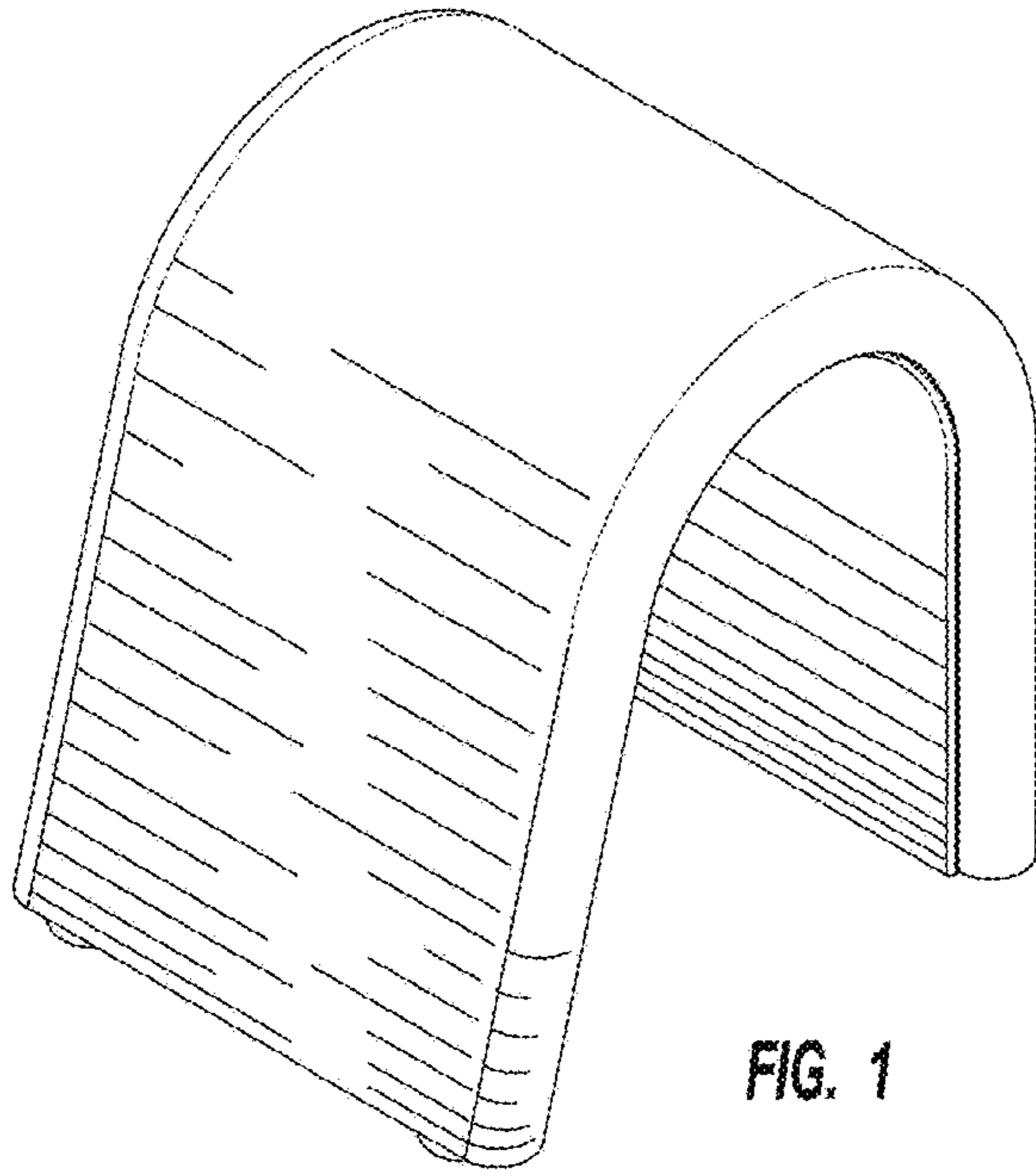


FIG. 1

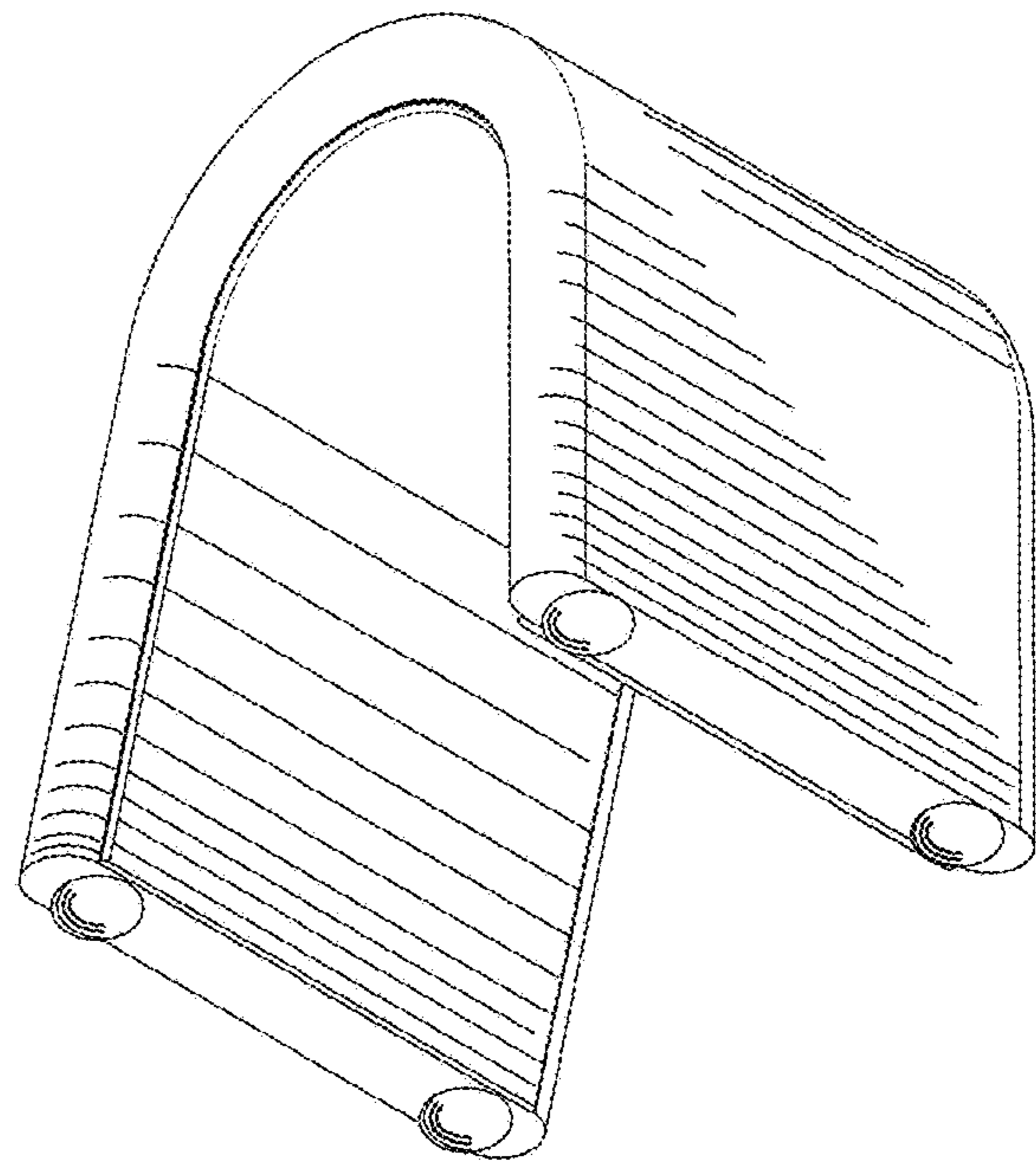


FIG. 2

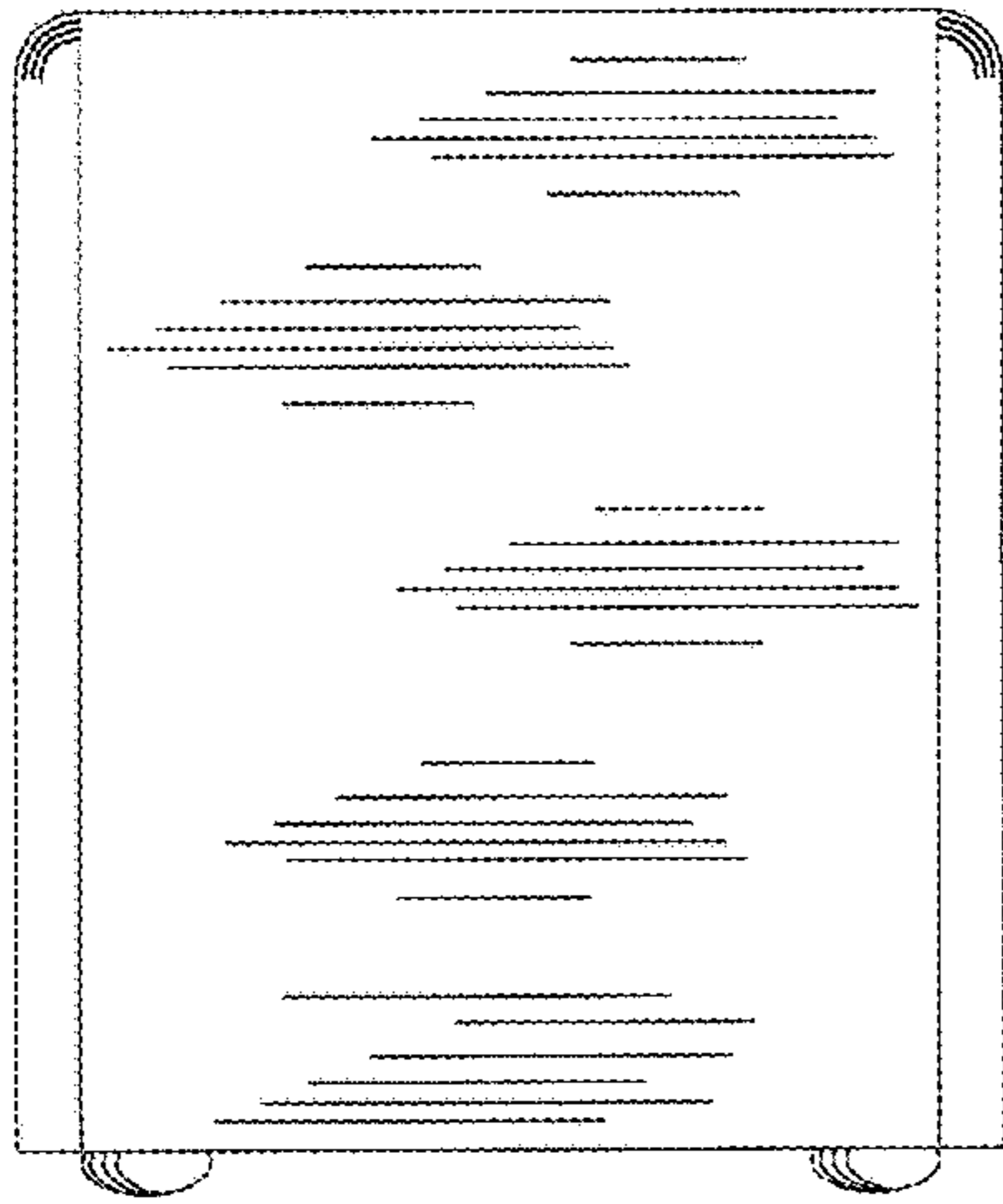


FIG. 3

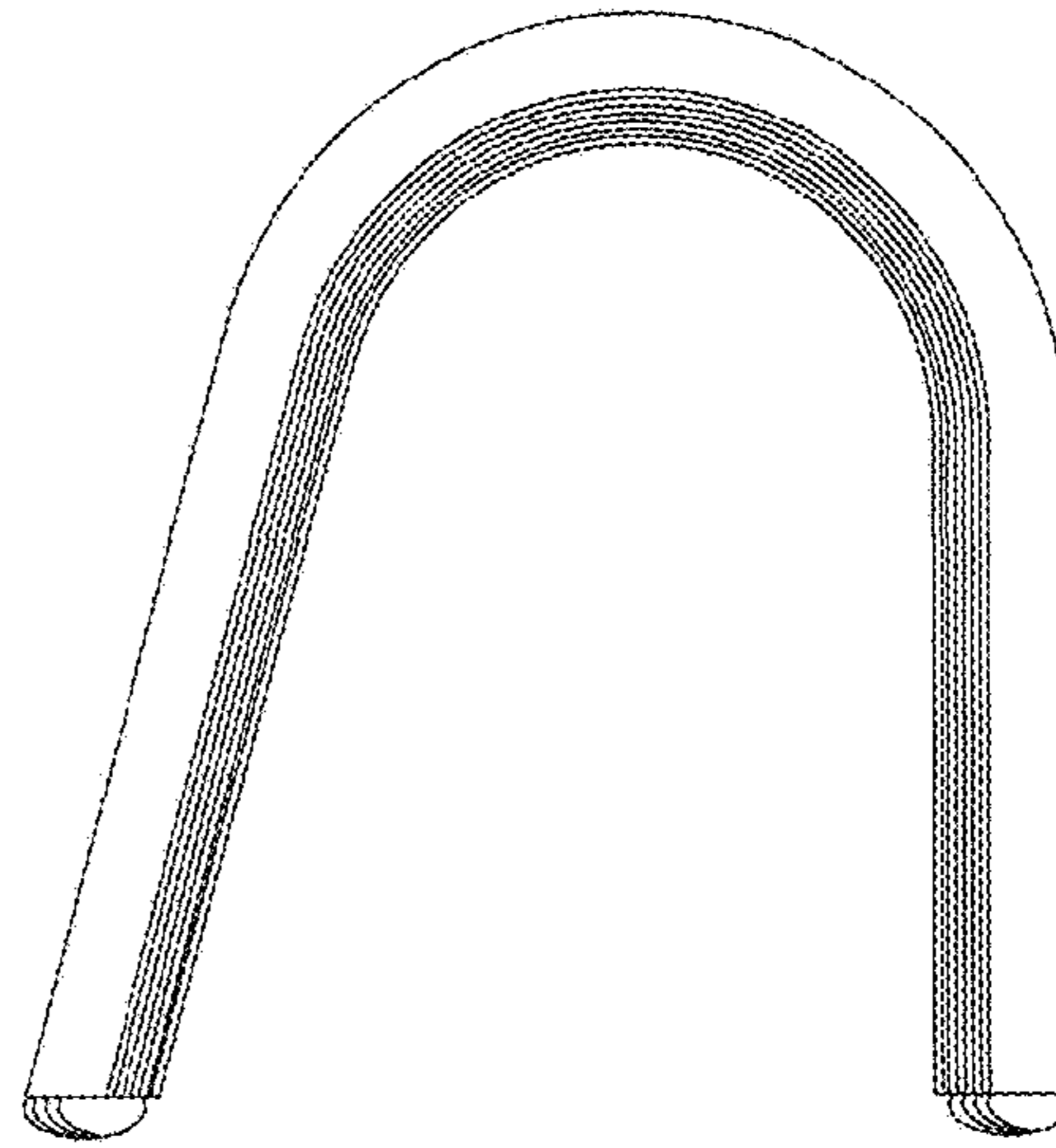


FIG. 4

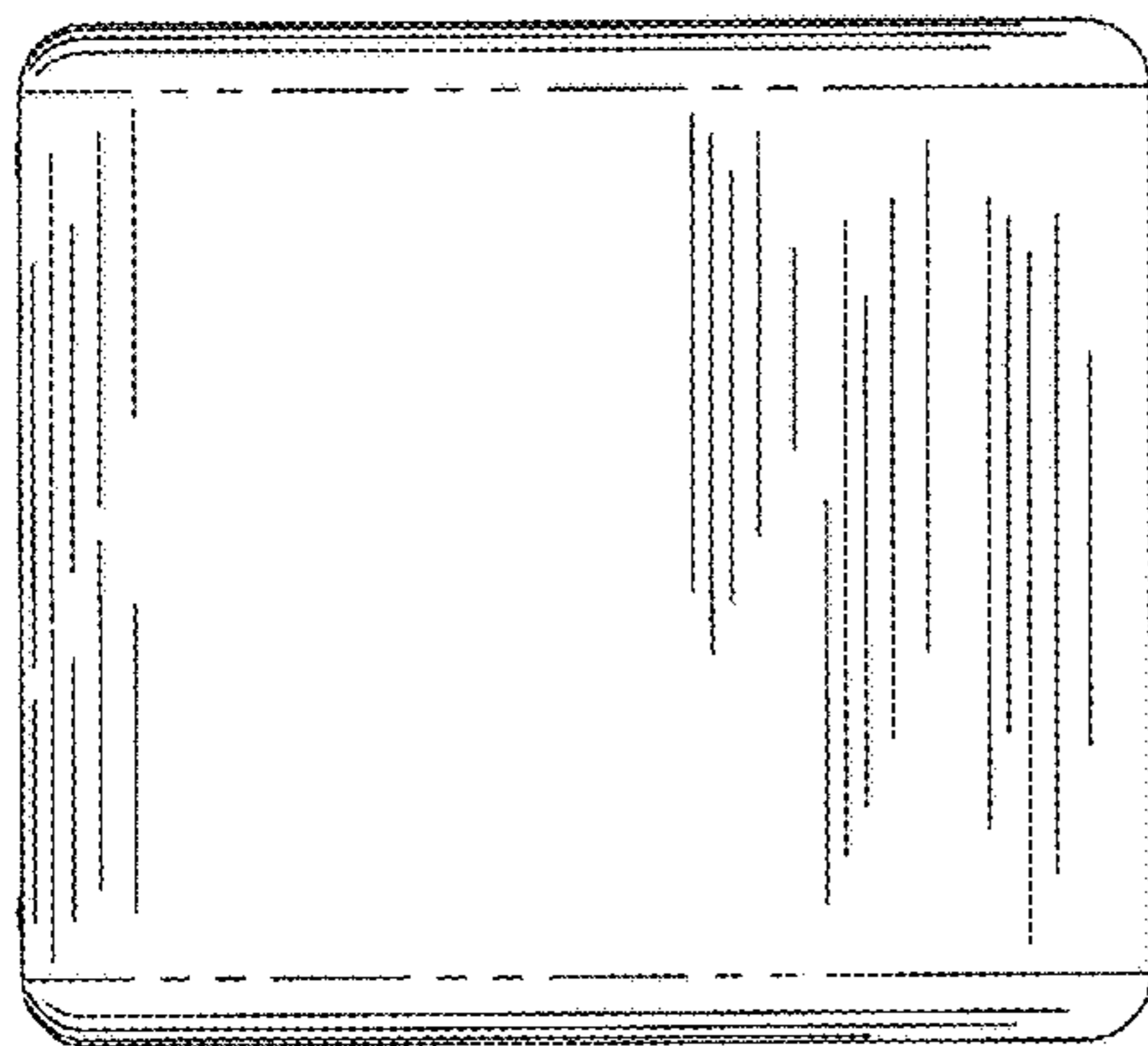


FIG. 6

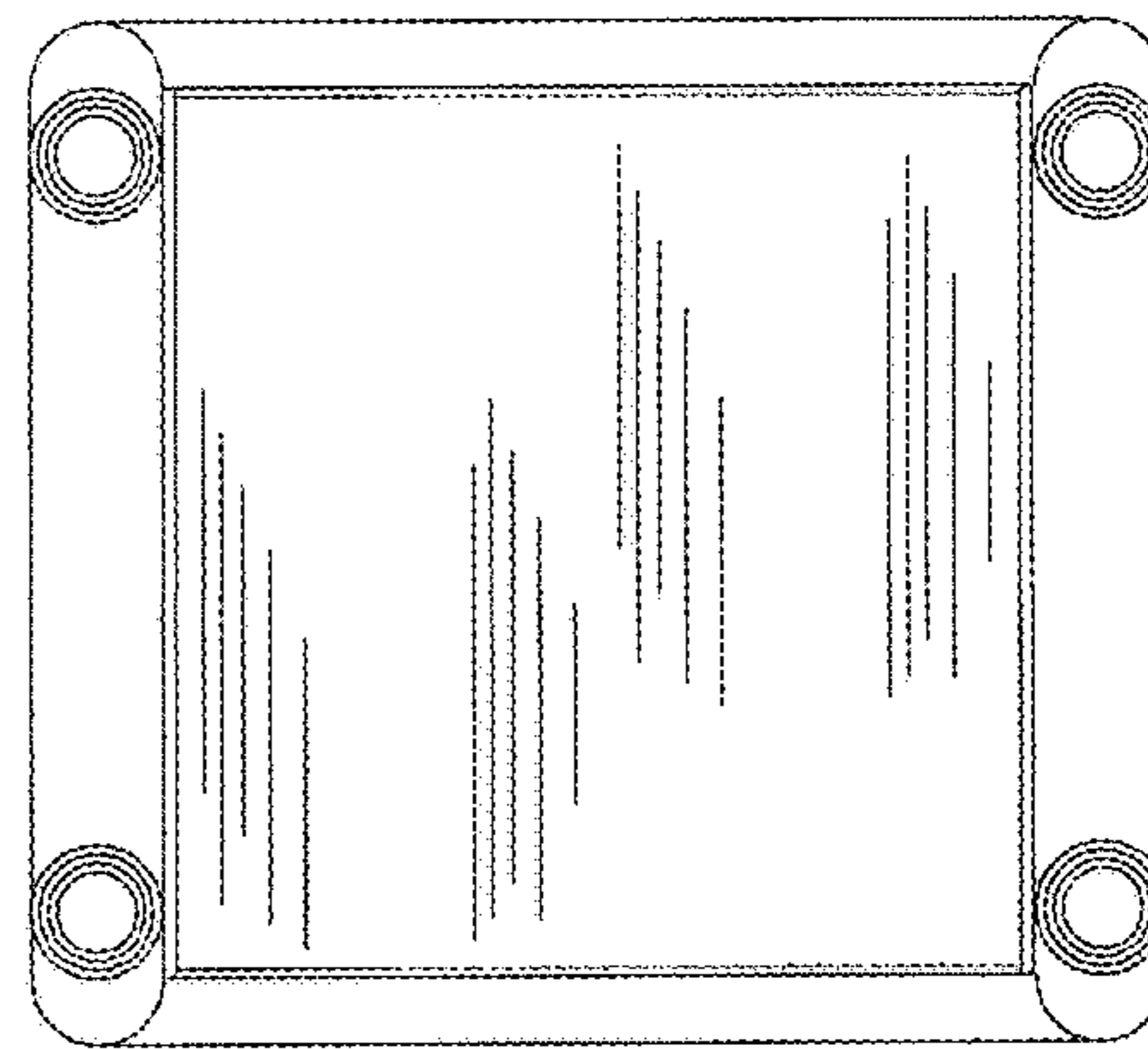


FIG. 5