



US00D804197S

(12) **United States Design Patent**
Segasby

(10) **Patent No.:** **US D804,197 S**

(45) **Date of Patent:** **** *Dec. 5, 2017**

(54) **FOOTWEAR HANGER**

(71) Applicant: **Phineas Products Limited**, Bristol
(GB)

(72) Inventor: **Mark Segasby**, Kirby Muxloe (BG)

(73) Assignee: **Phineas Products Limited** (GB)

(*) Notice: This patent is subject to a terminal disclaimer.

(**) Term: **14 Years**

(21) Appl. No.: **29/526,024**

(22) Filed: **May 5, 2015**

(51) **LOC (10) Cl.** **06-06**

(52) **U.S. Cl.**
USPC **D6/315**

(58) **Field of Classification Search**
USPC D6/315-328; 223/85-98; 211/1, 13.1,
211/34, 85.3, 113
CPC A47G 25/005; A47G 25/28; A47G 25/36;
A47G 25/743; A47G 25/1457; A47F
7/08; A47F 7/19
See application file for complete search history.

(56) **References Cited**

U.S. PATENT DOCUMENTS

D296,046 S * 6/1988 Marshall D6/315
4,823,962 A * 4/1989 Arias A47G 25/005
211/113
4,978,043 A * 12/1990 Uke A47G 25/16
211/113
D324,781 S * 3/1992 Uke D6/315

D342,612 S * 12/1993 McIntyre D6/315
D393,751 S * 4/1998 Liang D6/315
7,219,821 B2 * 5/2007 Weal A47G 25/005
223/85
D553,864 S * 10/2007 Weal D6/315
D631,671 S * 2/2011 Segasby D6/315
8,651,344 B2 * 2/2014 Norman A47G 25/005
223/87
D735,027 S * 7/2015 Fildan D9/415
2002/0104858 A1 * 8/2002 Woodworth A47G 25/483
223/85
2011/0247185 A1 * 10/2011 Bolden A43B 3/00
24/716
2013/0221040 A1 * 8/2013 Wright A47G 25/005
223/85

* cited by examiner

Primary Examiner — Lauren Calve

(74) *Attorney, Agent, or Firm* — Tumey L.L.P.

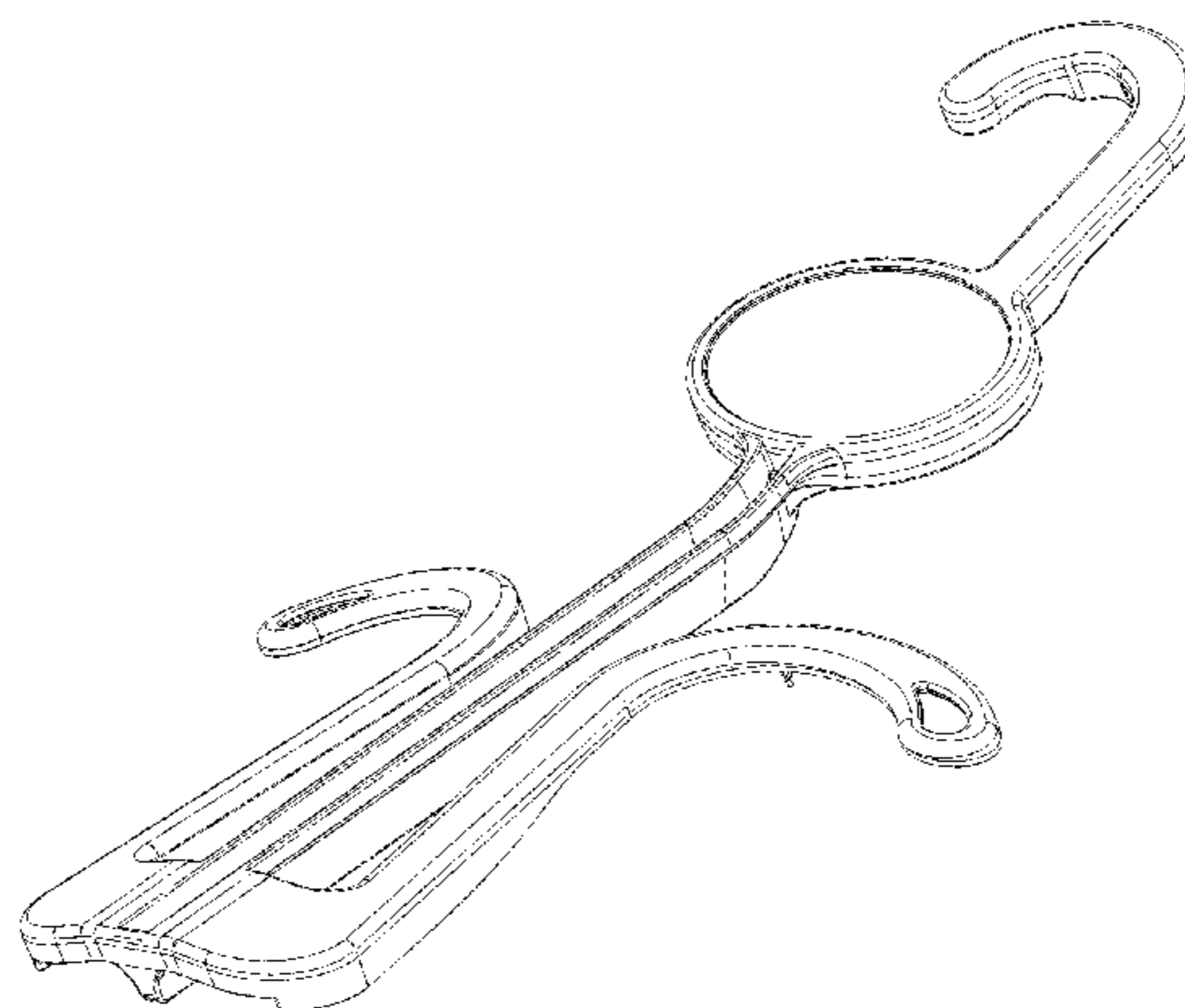
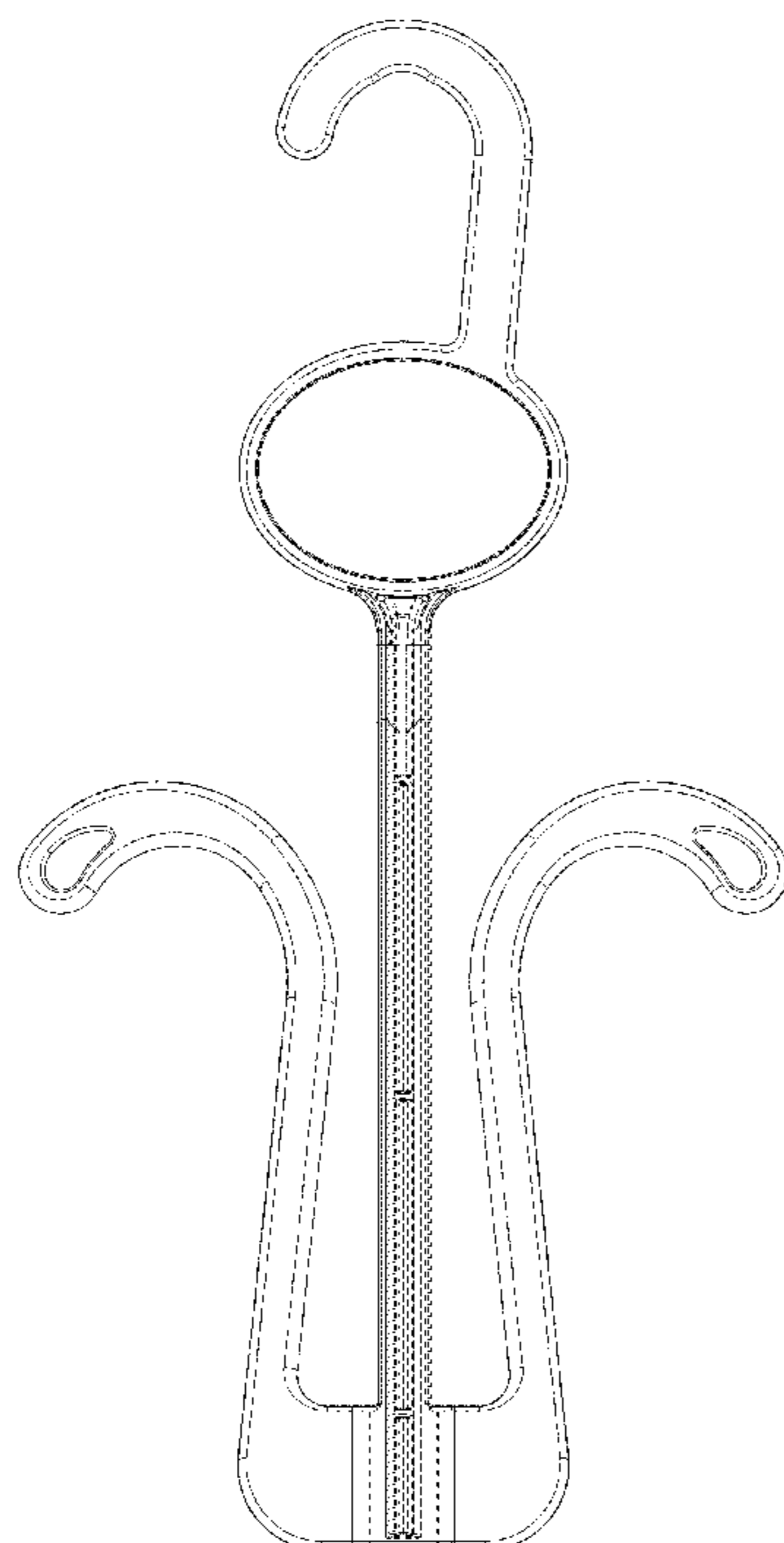
(57) **CLAIM**

The ornamental design for a footwear hanger, as shown and described.

DESCRIPTION

FIG. 1 is a rear view of the footwear hanger showing the new design;
FIG. 2 is a bottom view of the footwear hanger of FIG. 1;
FIG. 3 is a front view of the footwear hanger of FIG. 1;
FIG. 4 is a perspective view of the footwear hanger of FIG. 1;
FIG. 5 is a side view of the footwear hanger of FIG. 1; and,
FIG. 6 is a top view of the footwear hanger of FIG. 1.

1 Claim, 6 Drawing Sheets



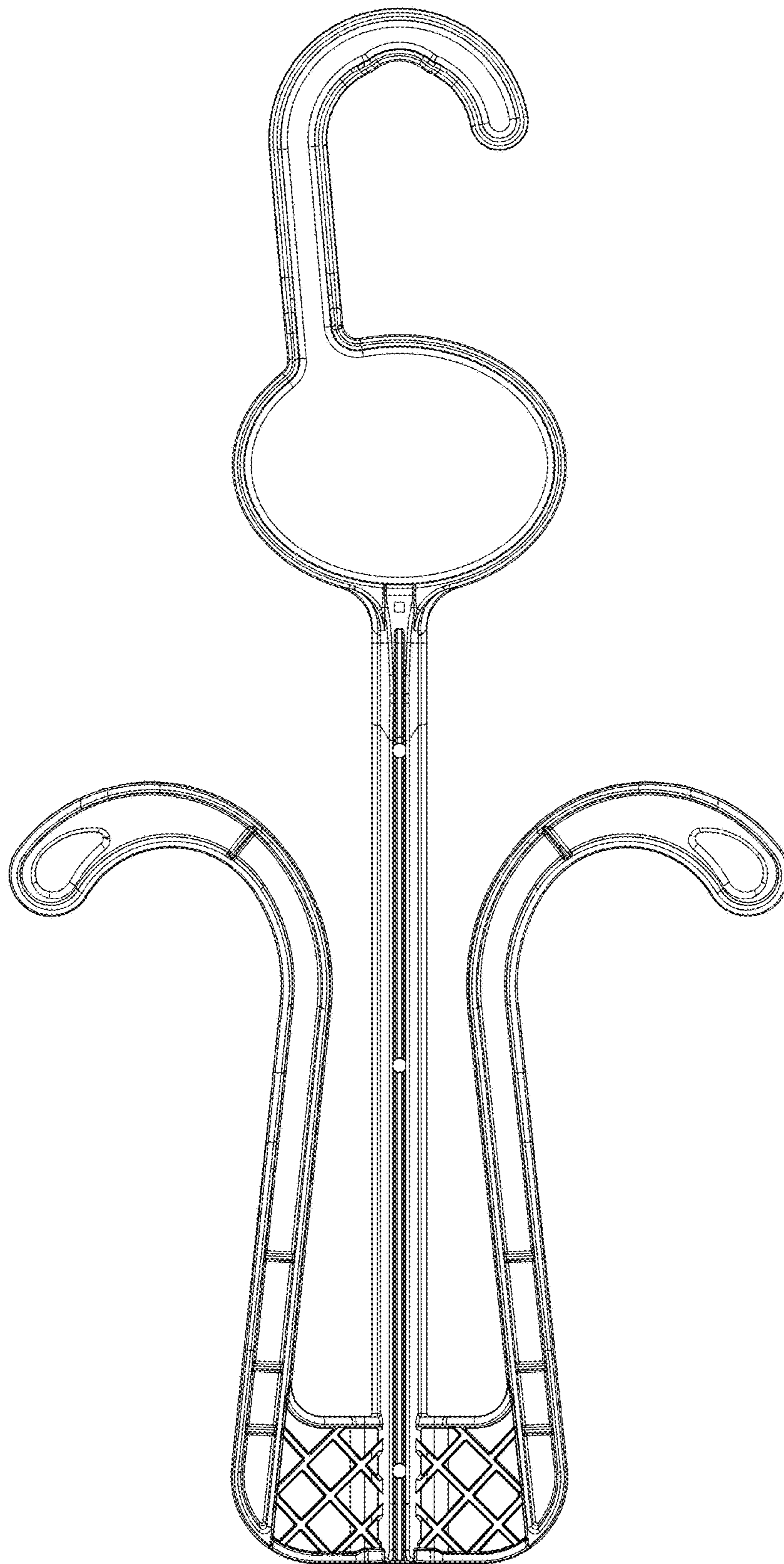


FIG. 1

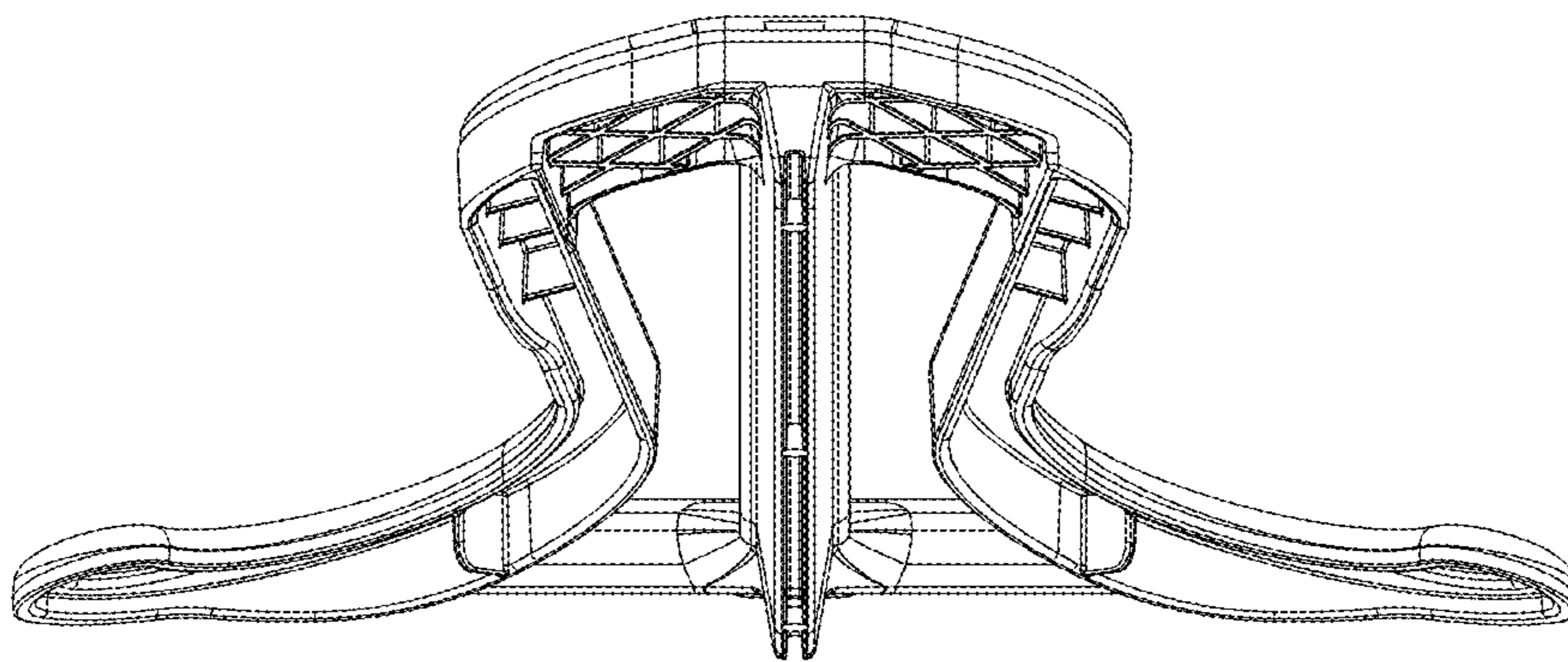


FIG. 2

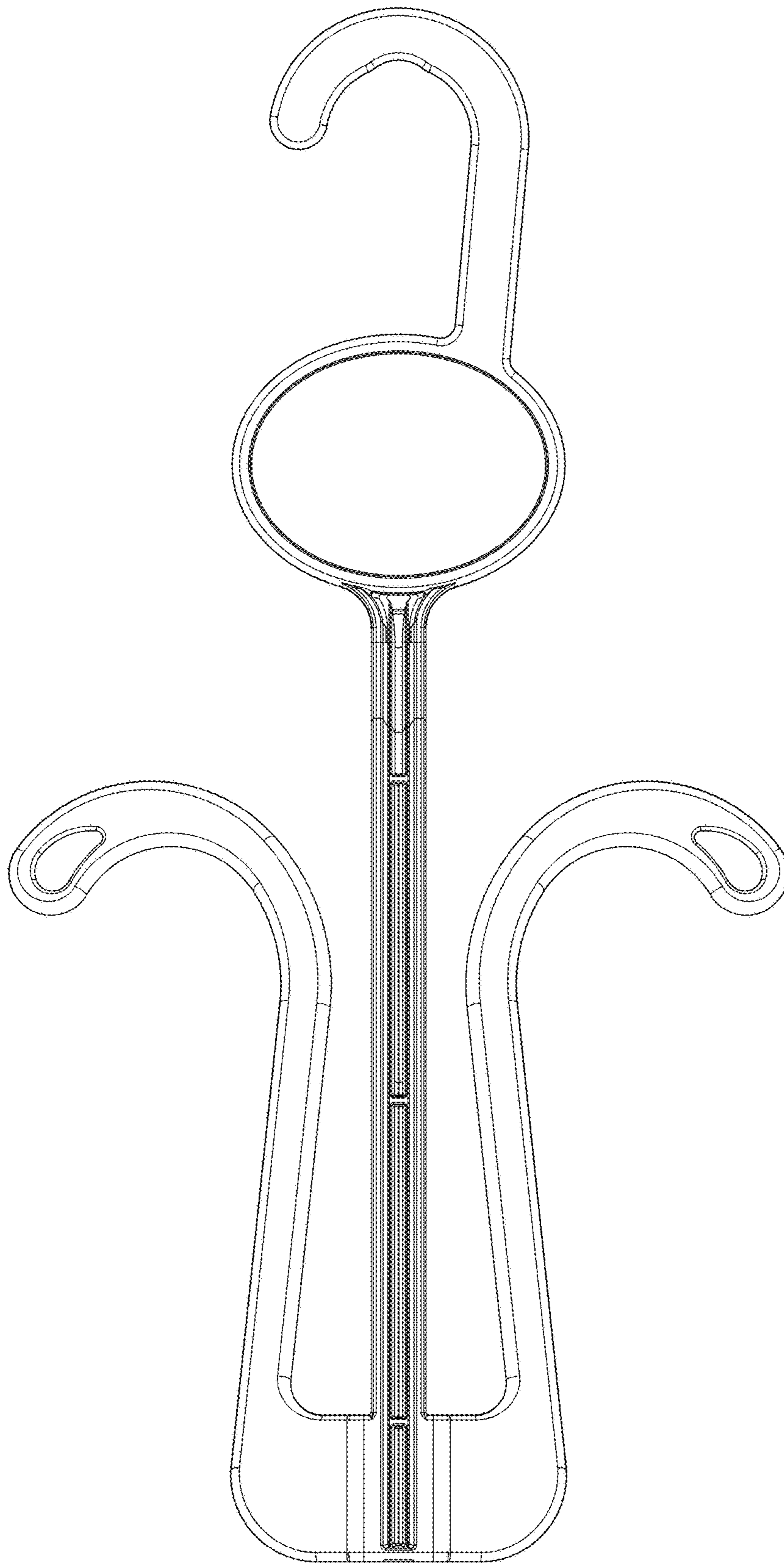


FIG. 3

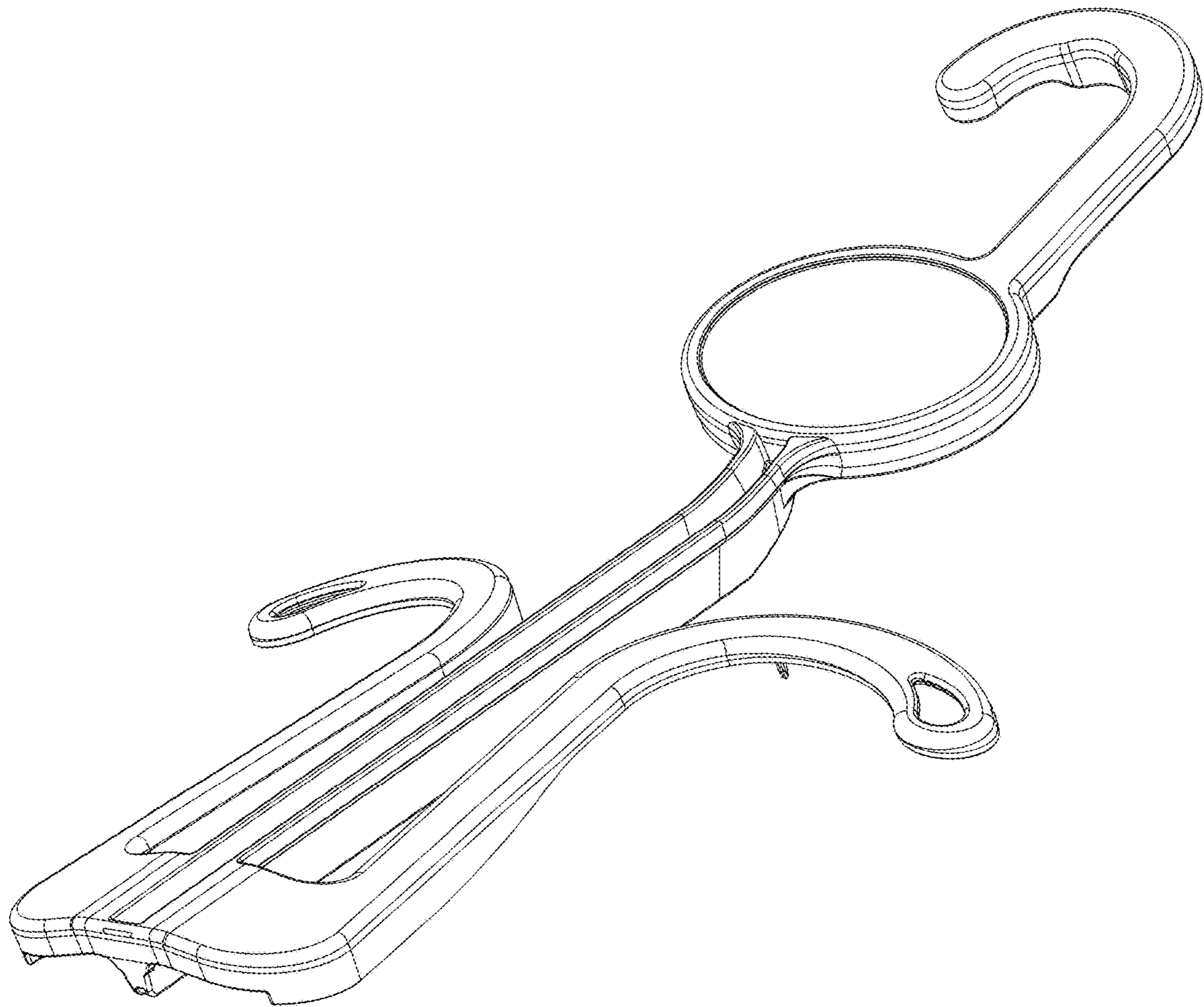


FIG. 4

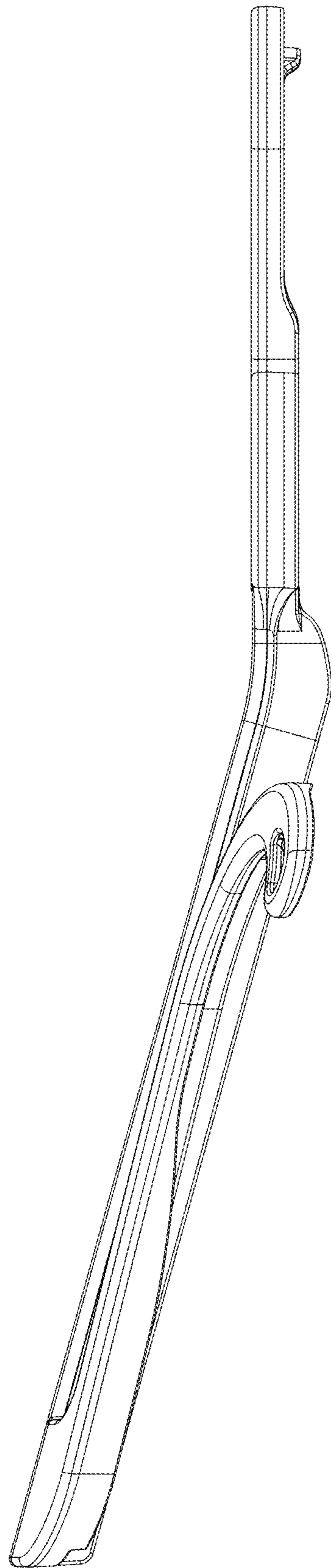


FIG. 5

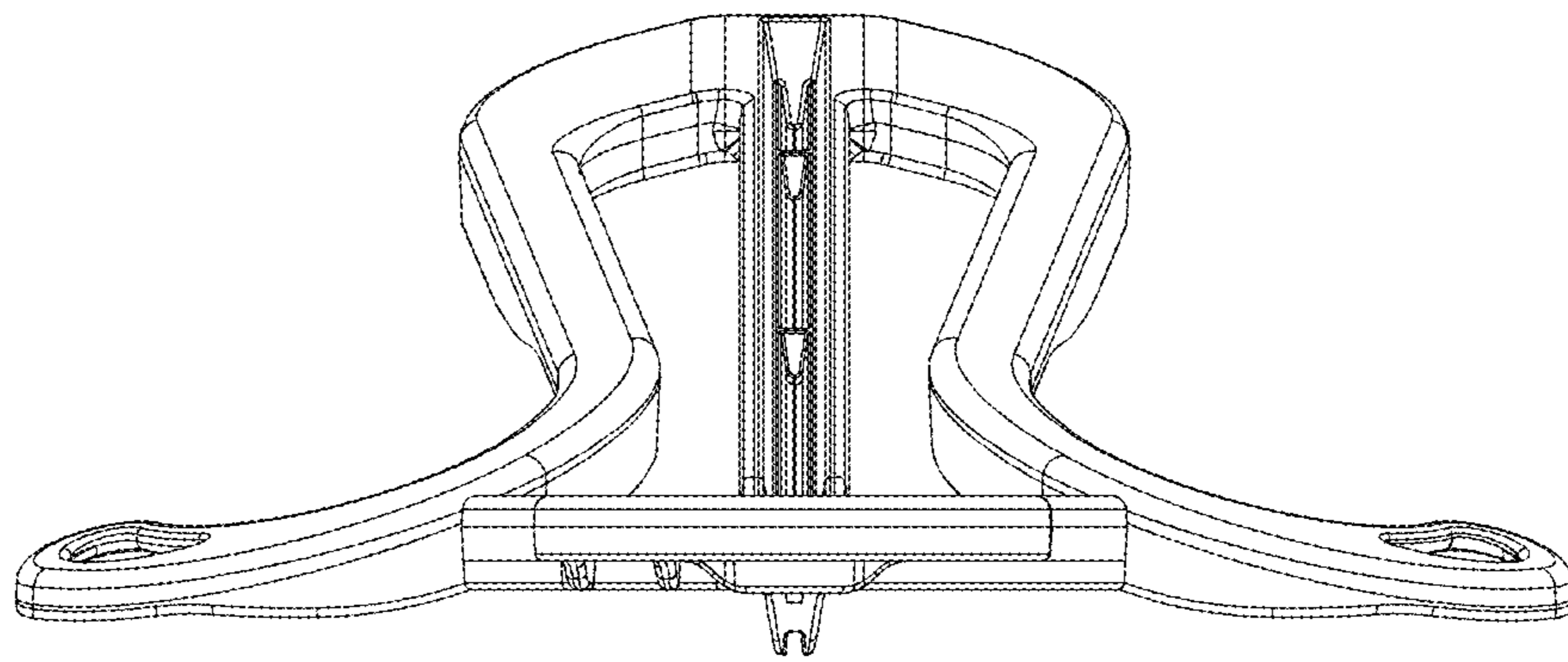


FIG. 6