



US00D804196S

(12) **United States Design Patent**
Neri et al.

(10) **Patent No.:** **US D804,196 S**

(45) **Date of Patent:** **** Dec. 5, 2017**

(54) **WALL MIRROR**

(71) Applicant: **POLTRONA FRAU S.p.A.**, Meda (IT)

(72) Inventors: **Lyndon Neri**, Shanghai (CN); **Rossana Hu**, Shanghai (CN)

(73) Assignee: **POLTRONA FRAU S.P.A.**, Meda (IT)

(**) Term: **15 Years**

(21) Appl. No.: **29/582,437**

(22) Filed: **Oct. 27, 2016**

(30) **Foreign Application Priority Data**

May 9, 2016 (EP) 003117480-0005

(51) **LOC (10) Cl.** **06-07**

(52) **U.S. Cl.**
USPC **D6/309; D6/321**

(58) **Field of Classification Search**
USPC D6/300-314, 524, 525, 527, 531, 321,
D6/323
CPC A47K 1/09; A47K 3/281; A47G 25/0607;
A47G 25/0678; A47G 25/10
See application file for complete search history.

(56) **References Cited**

U.S. PATENT DOCUMENTS

D71,202 S * 10/1926 Nitsche 211/75
D213,392 S * 2/1969 Andre D26/56

D331,967 S * 12/1992 Flower D24/107
D377,421 S * 1/1997 Young D6/300
5,934,637 A * 8/1999 Robinson A47G 23/0225
211/85.9
5,967,344 A * 10/1999 Liberati A47G 25/06
211/32
D470,699 S * 2/2003 Cheng D6/525
D646,493 S * 10/2011 Yang D6/300

* cited by examiner

Primary Examiner — Deanna L Pratt

(74) *Attorney, Agent, or Firm* — Hogan Lovells US LLP

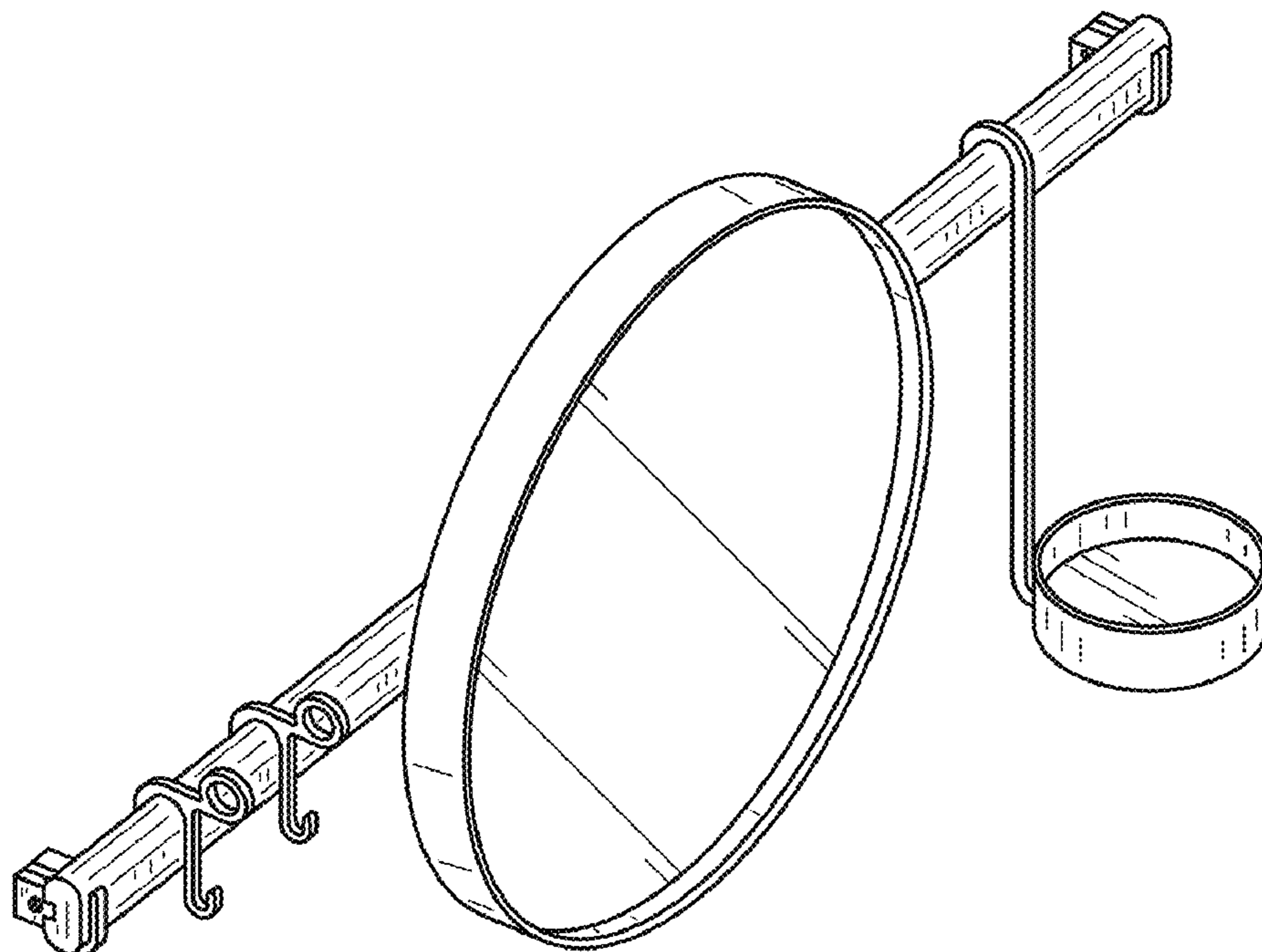
(57) **CLAIM**

The ornamental design for a wall mirror, as shown and described.

DESCRIPTION

FIG. 1 is a perspective view of a wall mirror showing the design;
FIG. 2 is a front view thereof;
FIG. 3 is a rear view thereof;
FIG. 4 is a left side view thereof;
FIG. 5 is a right side view thereof;
FIG. 6 is a top view thereof; and,
FIG. 7 is a bottom view thereof.

1 Claim, 5 Drawing Sheets



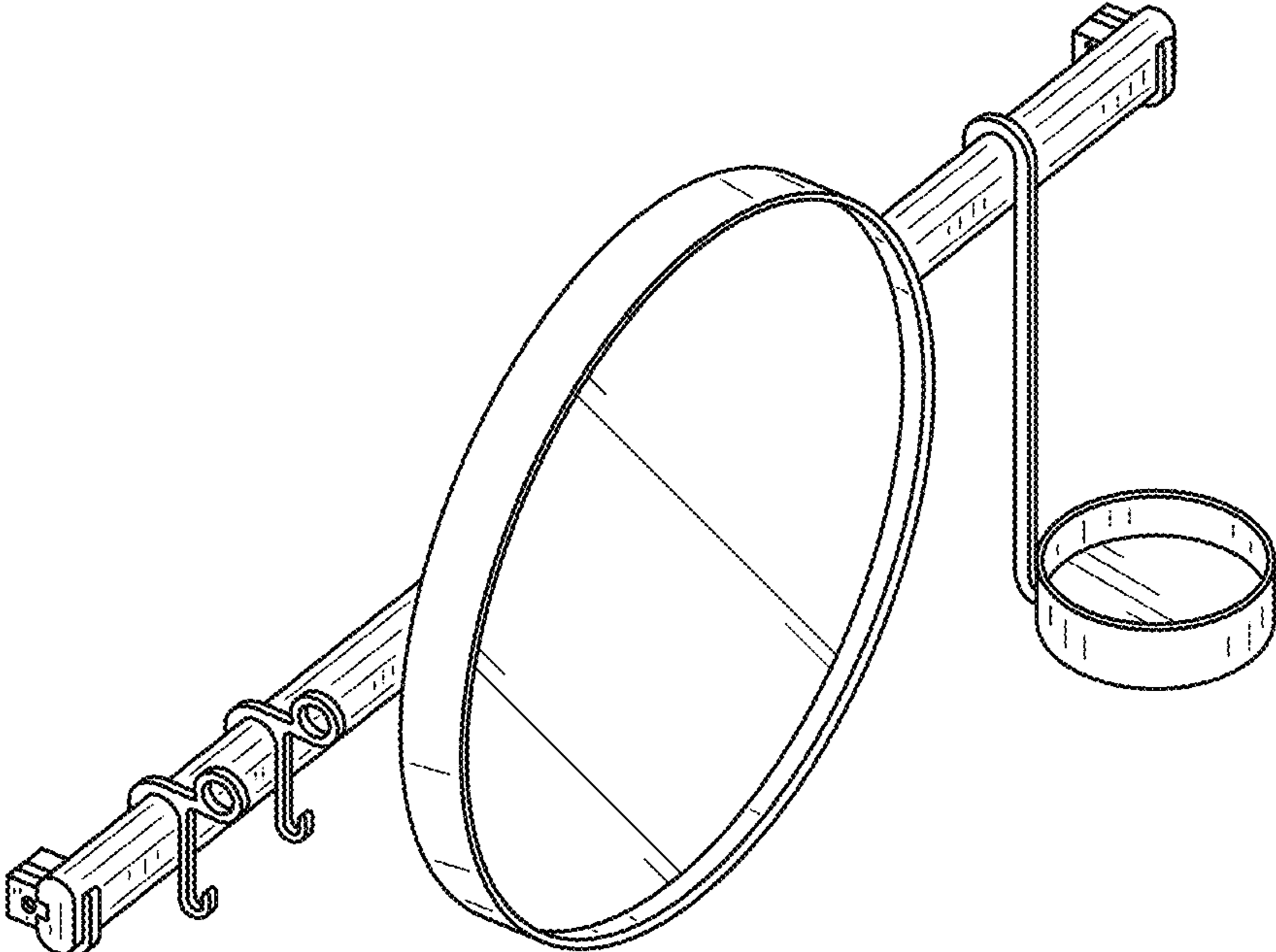


FIG.1

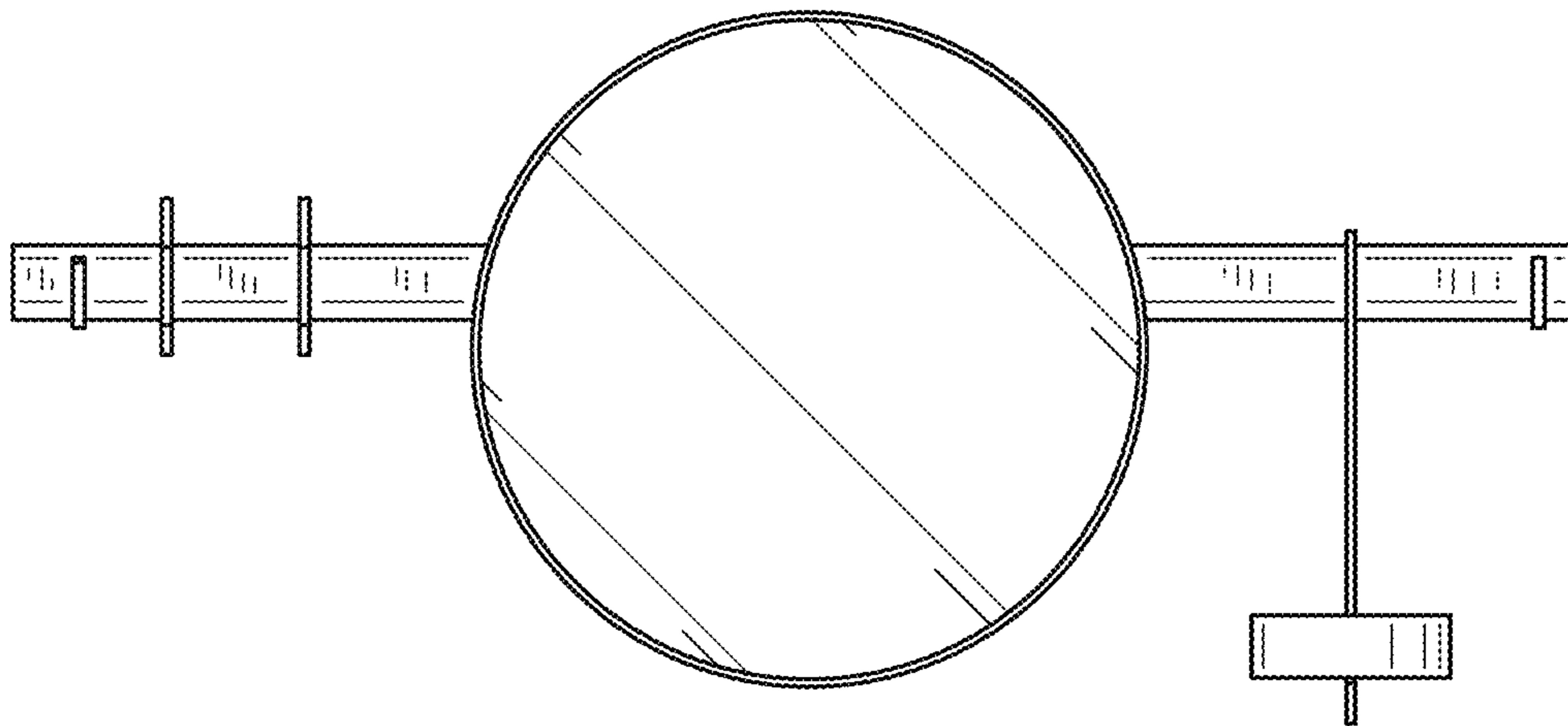


FIG.2

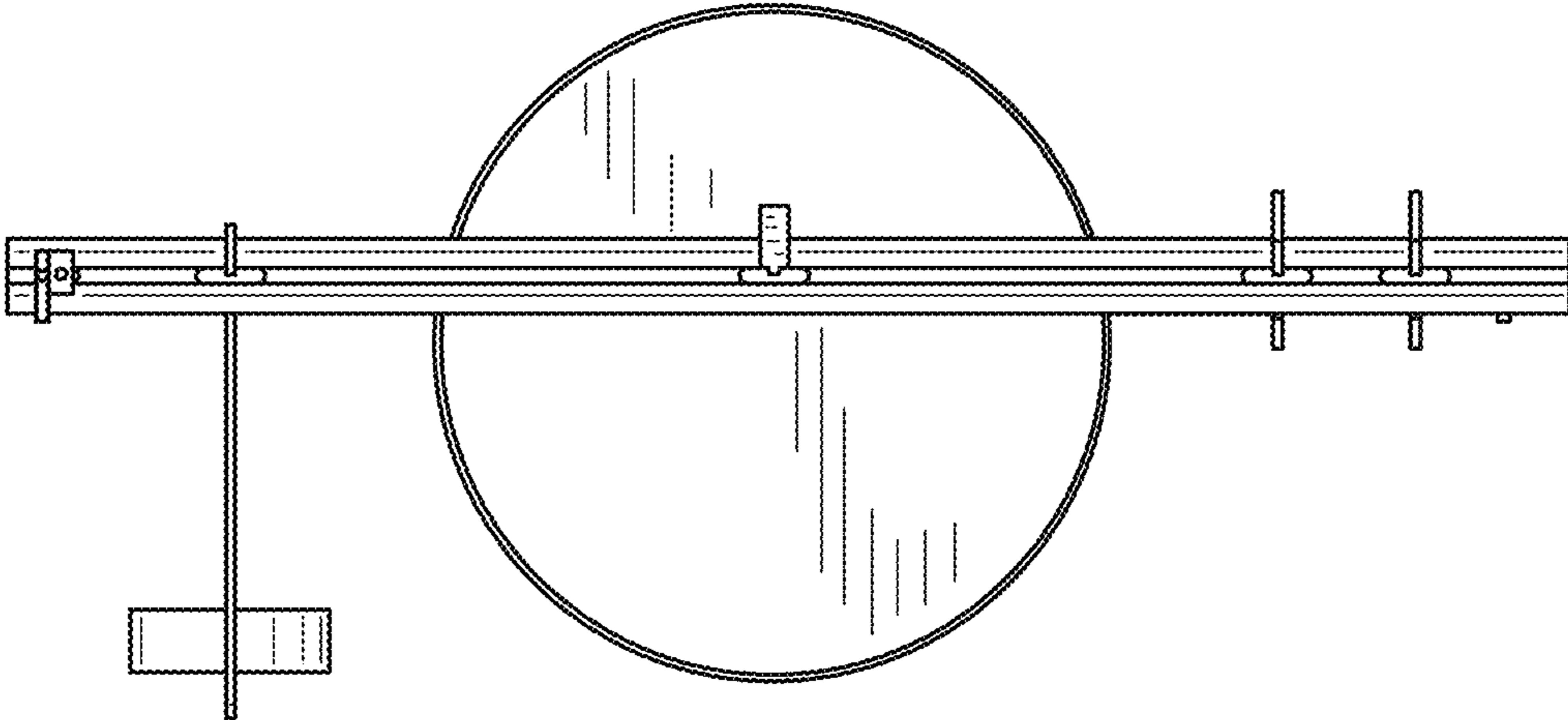


FIG.3

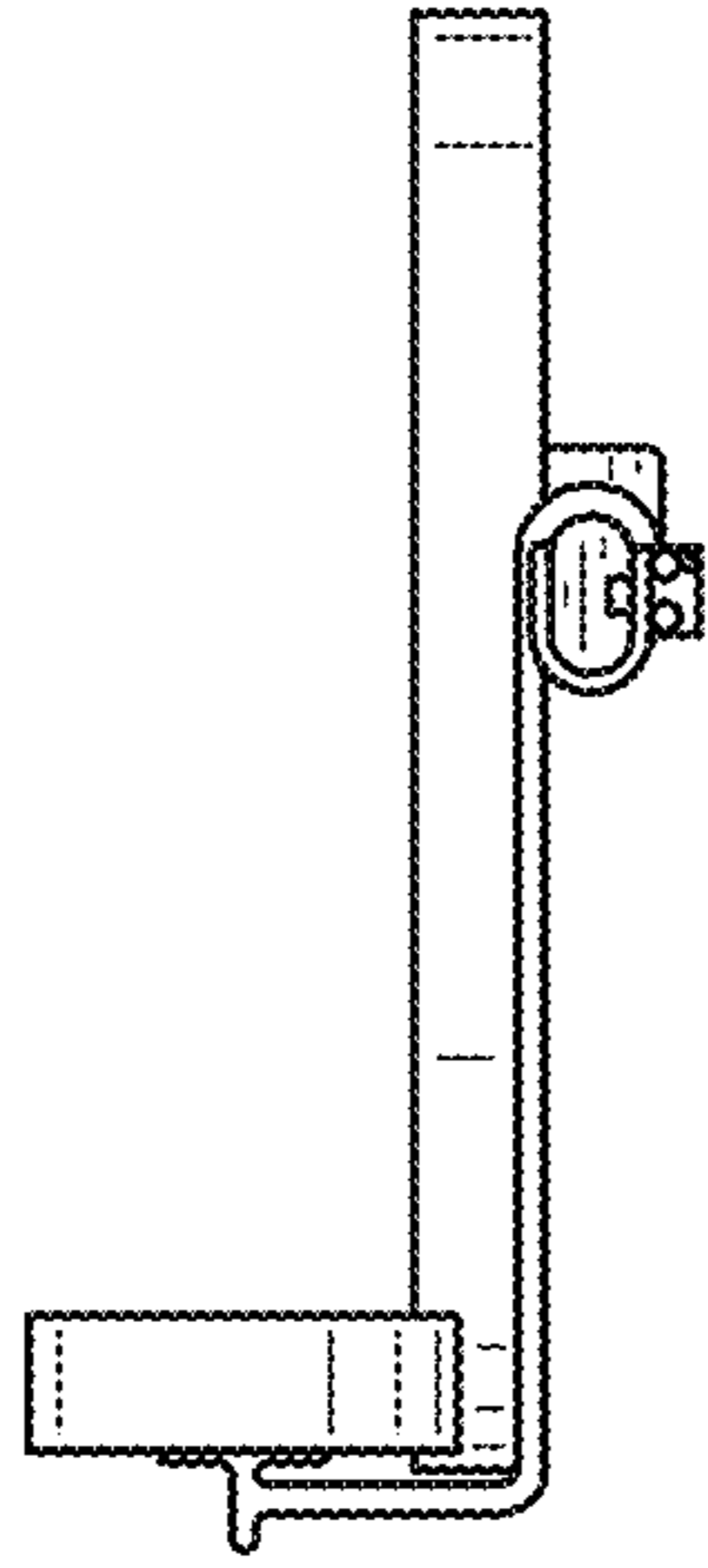


FIG. 4

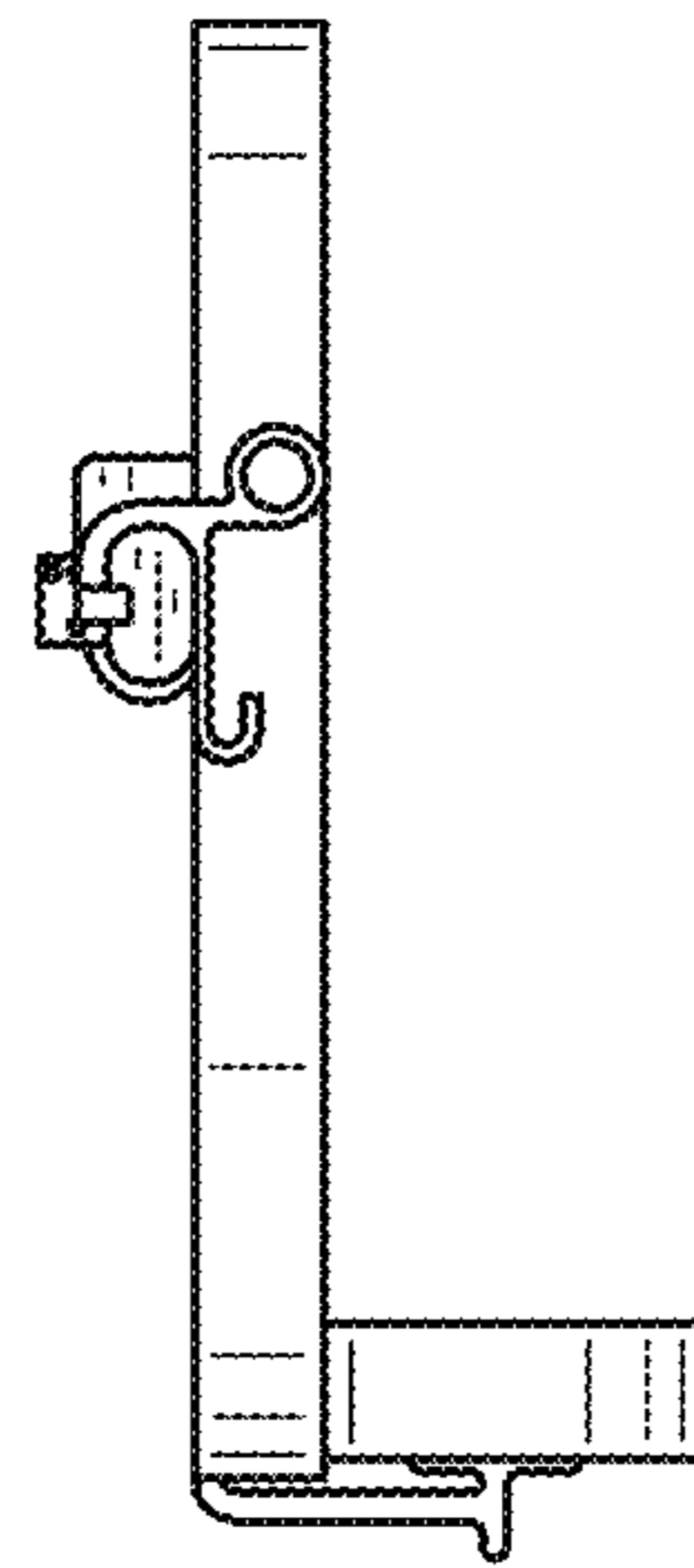


FIG. 5

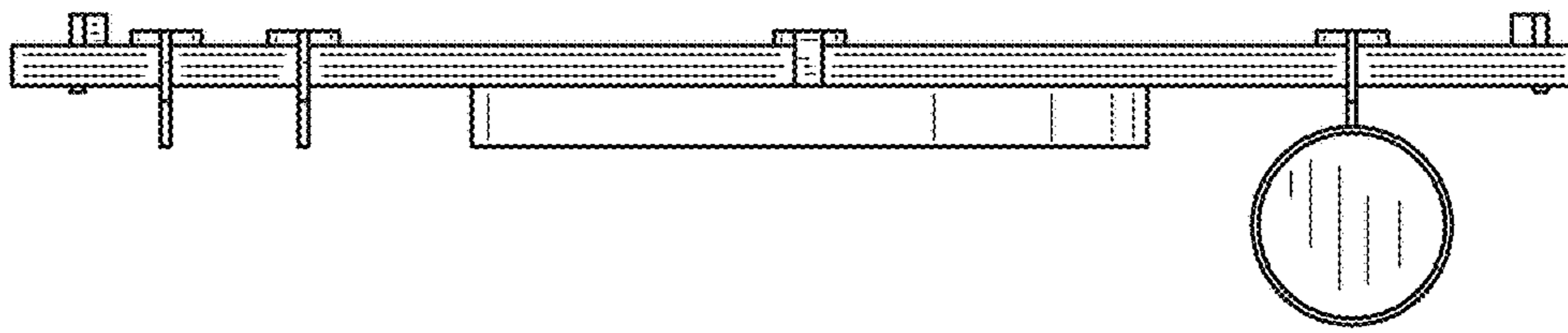


FIG. 6

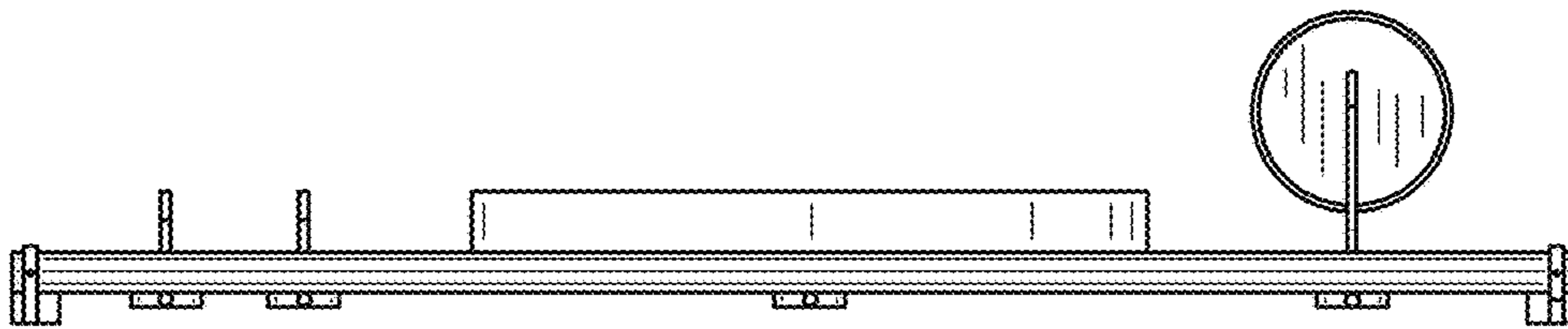


FIG. 7