



US00D804194S

(12) **United States Design Patent** (10) **Patent No.:** **US D804,194 S**
Thams et al. (45) **Date of Patent:** **** Dec. 5, 2017**

(54) **PICTURE FRAME** 2,954,630 A * 10/1960 Hull A47G 1/0644
40/761

(71) Applicant: **MOEBE APS**, Copenhagen N (DK) 3,065,943 A * 11/1962 Hull A47G 1/0644
248/460

(72) Inventors: **Anders Thams**, Copenhagen S (DK);
Martin D. Christensen, Copenhagen K
(DK) 3,541,714 A * 11/1970 Bruck, Jr. A47G 1/0638
40/759

(73) Assignee: **MOEBE APS**, Copenhagen N (DK) 3,812,609 A * 5/1974 Volden A47G 1/0644
40/780

(**) Term: **15 Years** 4,726,133 A * 2/1988 Rainone A47G 1/0644
40/721

(21) Appl. No.: **35/500,807** 5,365,682 A * 11/1994 Eubank, Jr. A47G 1/0644
40/746

(22) Filed: **Oct. 9, 2015** D394,959 S * 6/1998 Kwan D6/300

(80) **Hague Agreement Data** 2014/0305015 A1 * 10/2014 Zelbacher A47G 1/0622
40/714

OTHER PUBLICATIONS

Moebe frames—The Fine Store Facebook post—Oct. 30, 2014
<https://www.facebook.com/thefinestore/posts/604263329696012>
retrieved from the internet on Mar. 26, 2017.*

* cited by examiner

Primary Examiner — Mary Ann Calabrese
(74) *Attorney, Agent, or Firm* — Cantor Colburn LLP

(30) **Foreign Application Priority Data**
Apr. 10, 2015 (DK) 2015 00034

(51) **LOC (10) Cl.** **06-07**

(52) **U.S. Cl.**
USPC **D6/300**

(58) **Field of Classification Search**
USPC D6/300, 301, 302, 308, 310–314
CPC A47G 1/00; A47G 1/06; A47G 1/0605;
A47G 1/0616; A47G 1/0622; A47G
1/0638; A47G 1/0644; A47G 2001/0688
See application file for complete search history.

(57) **CLAIM**

The ornamental design for a picture frame, as shown and described.

DESCRIPTION

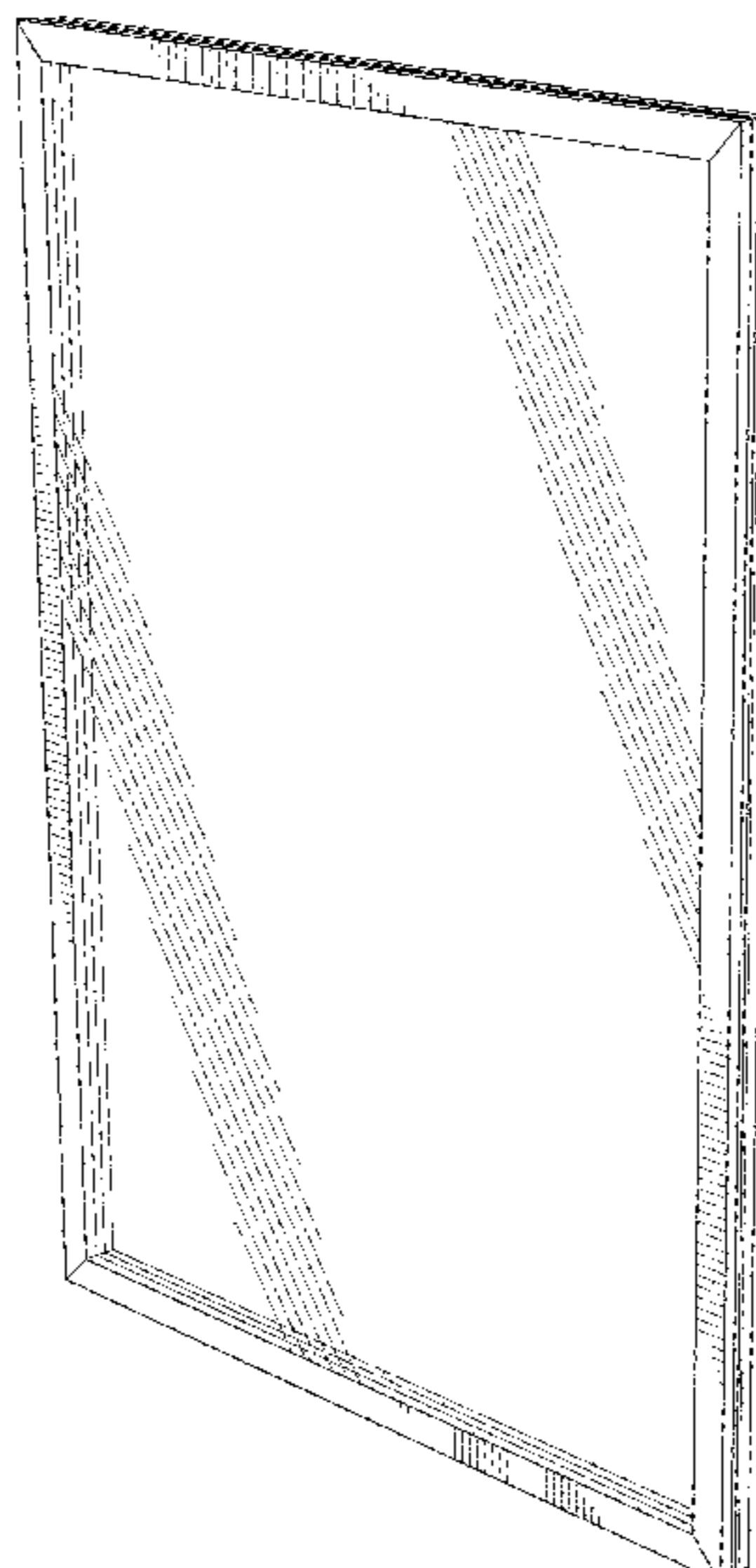
1.1 is a perspective view of a picture frame, showing my new design;
1.2 is a side view thereof;
1.3 is a top view thereof;
1.4 is an enlarged partial exploded view of the picture frame of **1.1**; and
1.5 is an enlarged partial view of the picture frame of **1.1**.

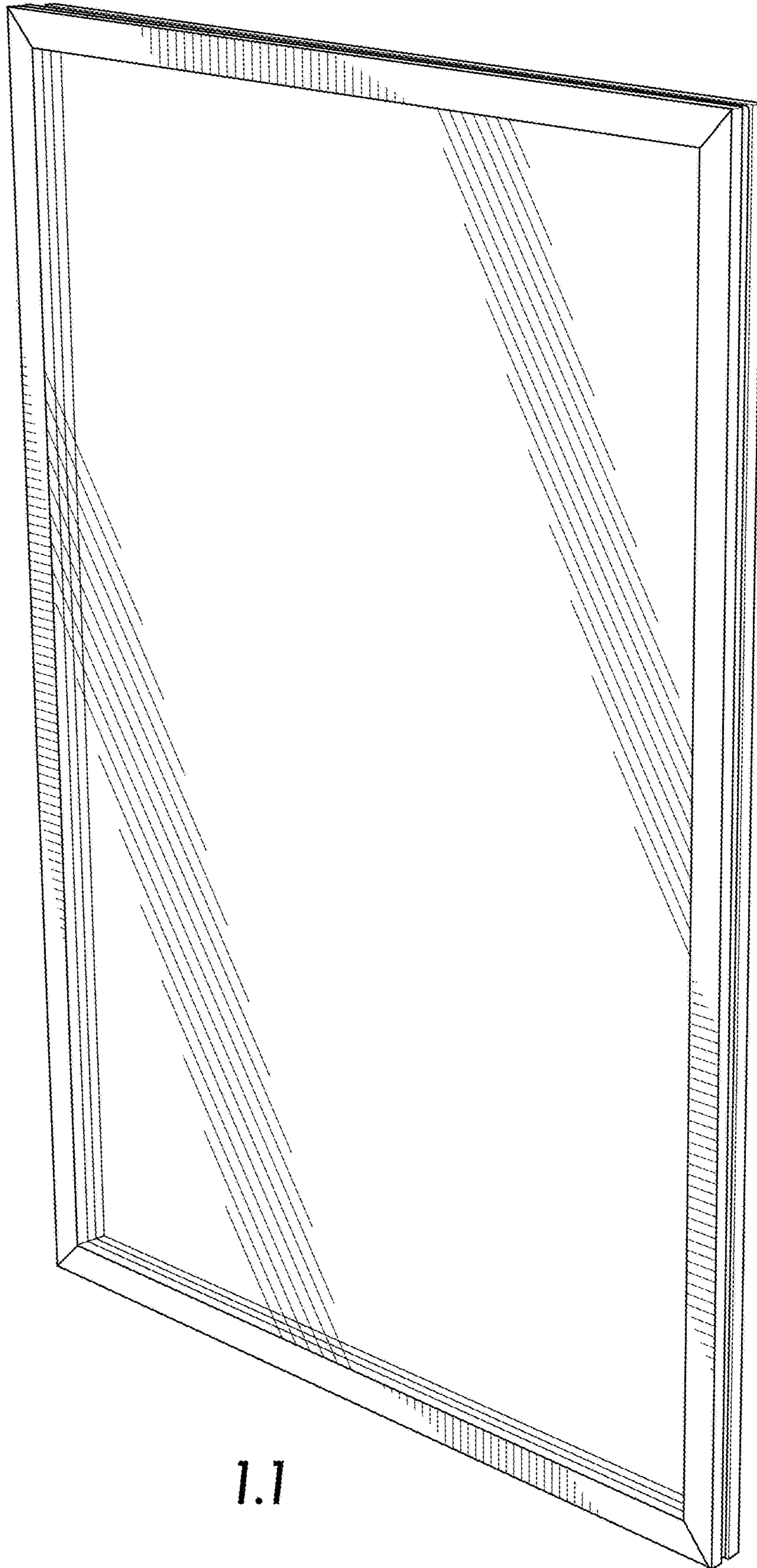
1 Claim, 5 Drawing Sheets

(56) **References Cited**
U.S. PATENT DOCUMENTS

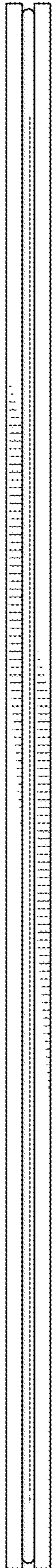
2,540,907 A * 2/1951 Paschal A47G 1/0644
40/744

2,777,232 A * 1/1957 Kulicke A47G 1/0611
217/69

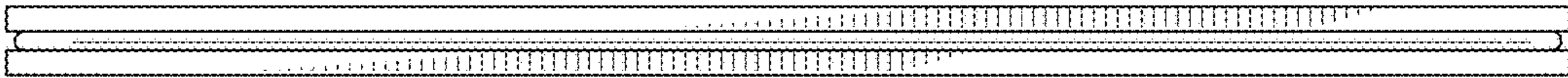




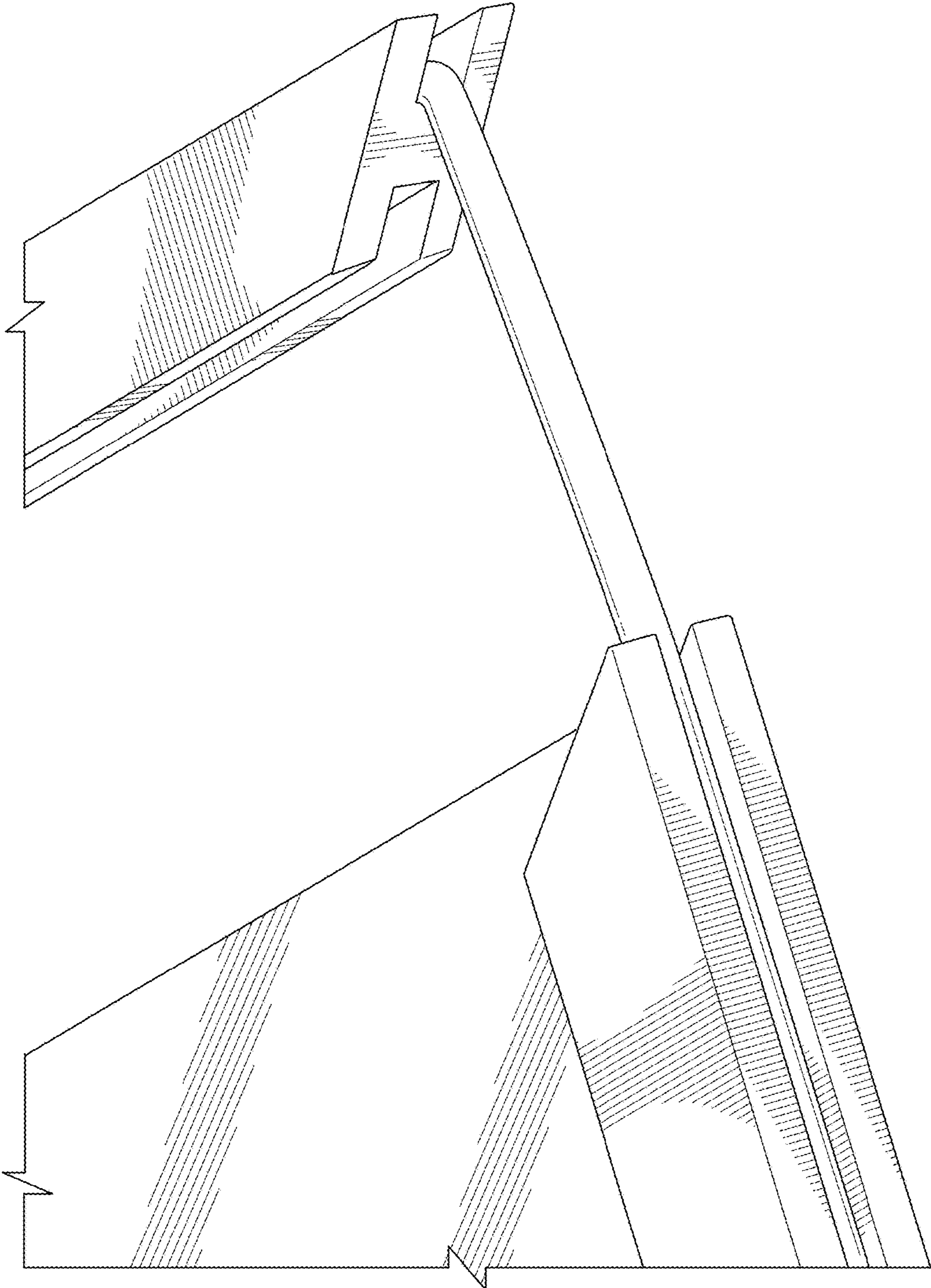
1.1



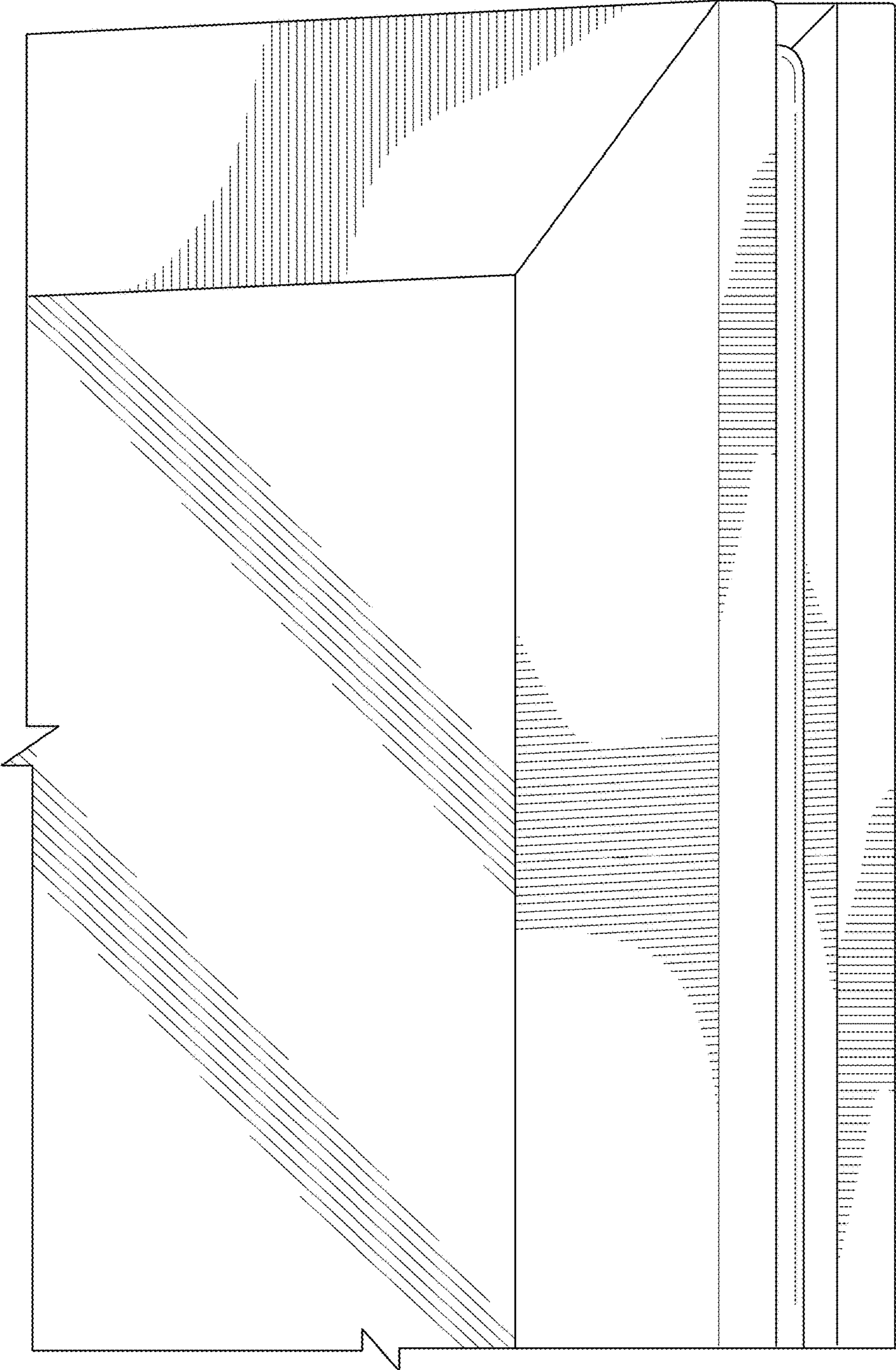
1.2



1.3



1.4



1.5