



US00D804191S

(12) **United States Design Patent** (10) **Patent No.:** **US D804,191 S**
Meyns (45) **Date of Patent:** **** Dec. 5, 2017**

(54) **AUTOMOTIVE SCRUBBING UTENSIL**

(71) Applicant: **USA SUPPLY LLC**, Ponte Vedra Beach, FL (US)

(72) Inventor: **Donald A. Meyns**, Ponte Vedra Beach, FL (US)

(73) Assignee: **USA Supply LLC**, Ponte Vedra Beach, FL (US)

(**) Term: **15 Years**

(21) Appl. No.: **29/572,252**

(22) Filed: **Jul. 26, 2016**

(51) **LOC (10) Cl.** **04-02**

(52) **U.S. Cl.**
USPC **D4/137; D32/40**

(58) **Field of Classification Search**
USPC D4/111, 116, 119, 120, 137, 138;
D7/688, 689; D28/7; D32/35, 40, 42,
D32/49, 50
CPC .. A45D 40/28; A46B 1/00; A46B 3/02; A46B
7/04; A46B 9/005; A46B 15/00; A46B
15/106; A46D 1/00
See application file for complete search history.

(56) **References Cited**

U.S. PATENT DOCUMENTS

- D4,501 S * 12/1870 Annis D32/51
- 919,844 A * 4/1909 Ford A46B 3/18
15/206
- D129,285 S * 9/1941 Frank D32/48
- 2,900,656 A * 8/1959 Tupper A47J 43/288
15/105
- D186,935 S * 12/1959 Littlefield D32/51
- D191,526 S * 10/1961 Marcus D7/688
- 3,008,169 A * 11/1961 Dearling A45D 40/28
15/143.1
- 3,134,124 A * 5/1964 Horn B05C 17/00
15/244.1

- D211,397 S * 6/1968 Nika D32/51
 - 3,577,582 A * 5/1971 Aston A45D 40/28
15/244.1
 - 4,856,136 A * 8/1989 Janssen A46B 3/02
15/210.1
 - 4,888,844 A * 12/1989 Maggs A46B 9/04
15/106
 - D306,082 S * 2/1990 Kidd D22/124
- (Continued)

OTHER PUBLICATIONS

US Trademark Application #86887876 for "Better Than A Brush," filed on Jan. 27, 2016 by USA Supply Inc. First use in commerce date: Nov. 2, 2015. Retrieved on Jul. 31, 2017. (3 pages).*

(Continued)

Primary Examiner — Karen E. Eldridge Powers

Assistant Examiner — Jasmine Mlinarcik

(74) *Attorney, Agent, or Firm* — Lathrop Gage L.L.P.

(57) **CLAIM**

The ornamental design for an automotive scrubbing utensil, as shown.

DESCRIPTION

FIG. 1 is a perspective view of an automotive scrubbing utensil showing the new design.

FIG. 2 is a front elevation view of the automotive scrubbing utensil of FIG. 1.

FIG. 3 is a rear elevation view of the automotive scrubbing utensil of FIG. 1.

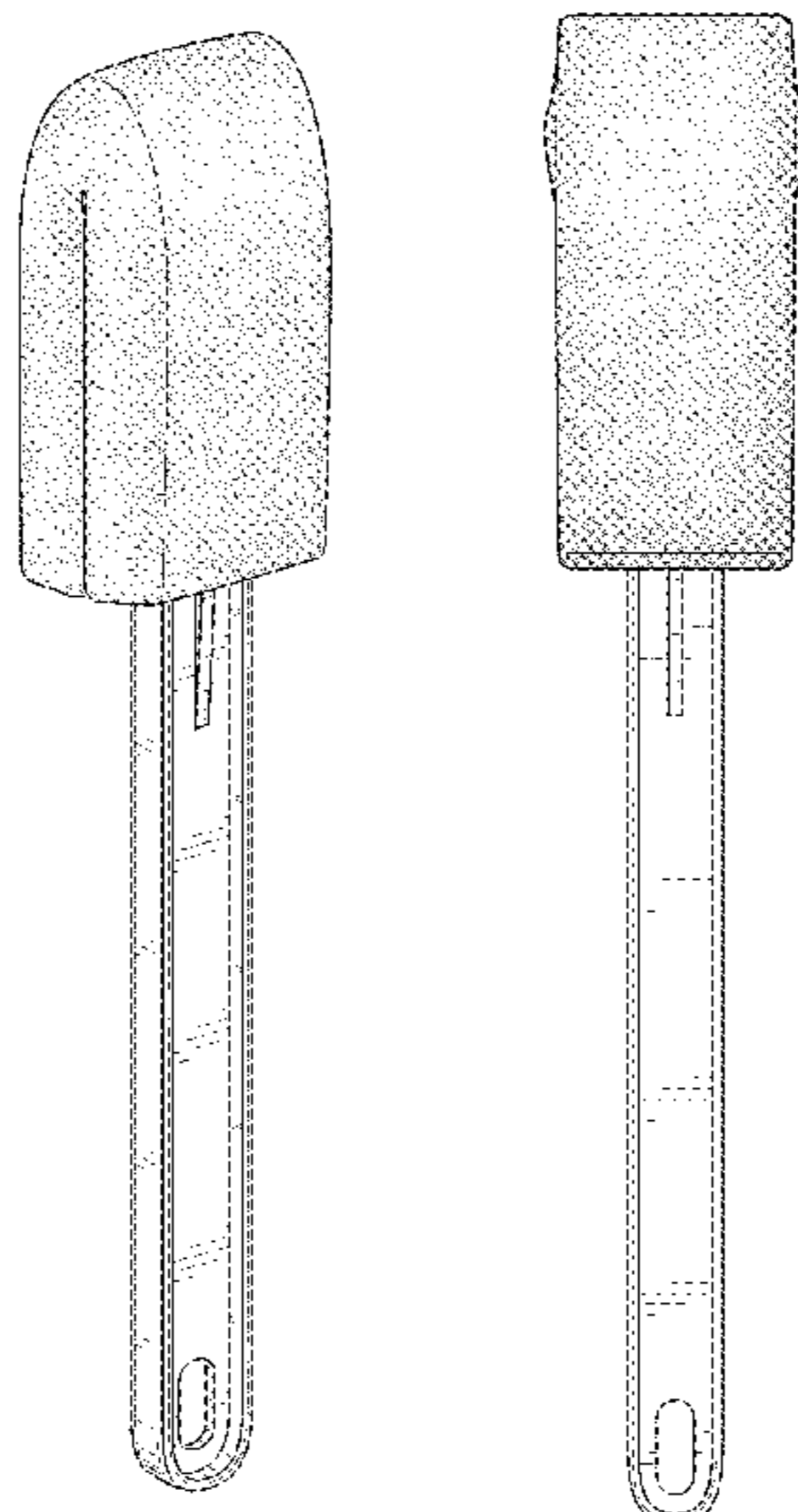
FIG. 4 is a side elevation view of the automotive scrubbing utensil of FIG. 1.

FIG. 5 is another side elevation view of the automotive scrubbing utensil of FIG. 1.

FIG. 6 is a top plan view of the automotive scrubbing utensil of FIG. 1; and,

FIG. 7 is a bottom plan view of the automotive scrubbing utensil of FIG. 1.

1 Claim, 7 Drawing Sheets



(56)

References Cited

U.S. PATENT DOCUMENTS

4,934,011 A * 6/1990 Haug A47K 7/028
15/145
5,212,847 A * 5/1993 Melcher A45D 40/28
15/209.1
D354,626 S * 1/1995 Hurwitz D32/42
5,491,869 A * 2/1996 Sullivan A47J 43/288
15/143.1
6,383,804 B1 * 5/2002 Ward, Jr. B01L 3/508
435/30
6,901,622 B2 * 6/2005 Thompson A47L 25/08
15/1.52
D716,511 S * 10/2014 Brown D32/40
2008/0028555 A1 * 2/2008 Petner A47L 13/46
15/118

OTHER PUBLICATIONS

BTAB, [on-line video]; [published to the Internet by Paula Meyns on Jan. 17, 2106]; [retrieved from the Internet on Jul. 31, 2017]; URL: <https://www.youtube.com/watch?v=aQ4LEaB11N4>. (3 pages).*

What's Better Than a Brush . . . [on-line article]; [article published to the Internet by Awesome Products Corp. on May 17, 2017]; [retrieved from the Internet on Jul. 31, 2017]; URL: <http://www.prnewswire.com/news-releases/whats-better-than-a-brush-for-cleaning-brake-dust-from-carwheels-300458788.html>. (3 pages).*

Jasart Foam Brush, [on-line]; [Internet publication date unknown]; [retrieved from the Internet on Jul. 31, 2017]; URL: <https://www.eckersleys.com.au/products/jasart-foam-brush>. (1 page).*

* cited by examiner

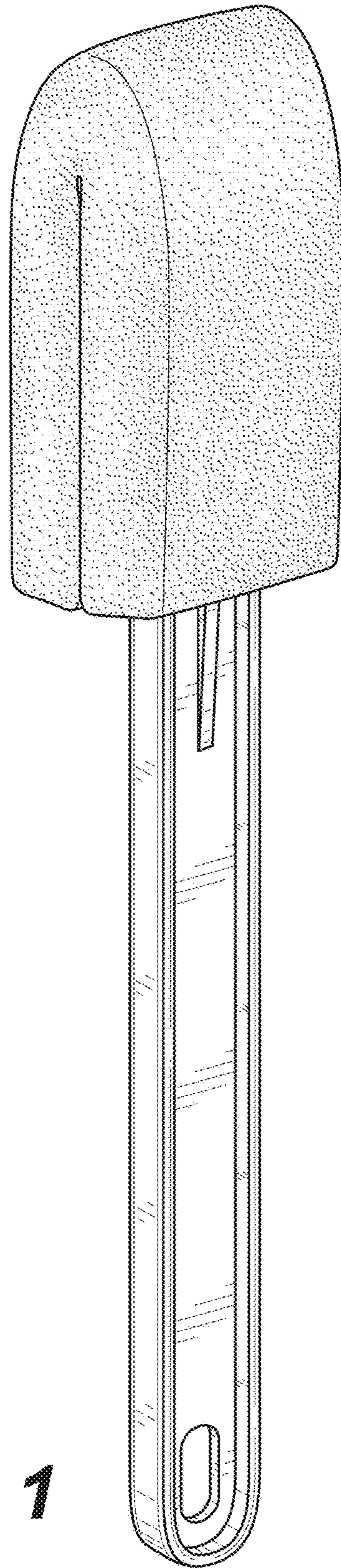


FIG. 1

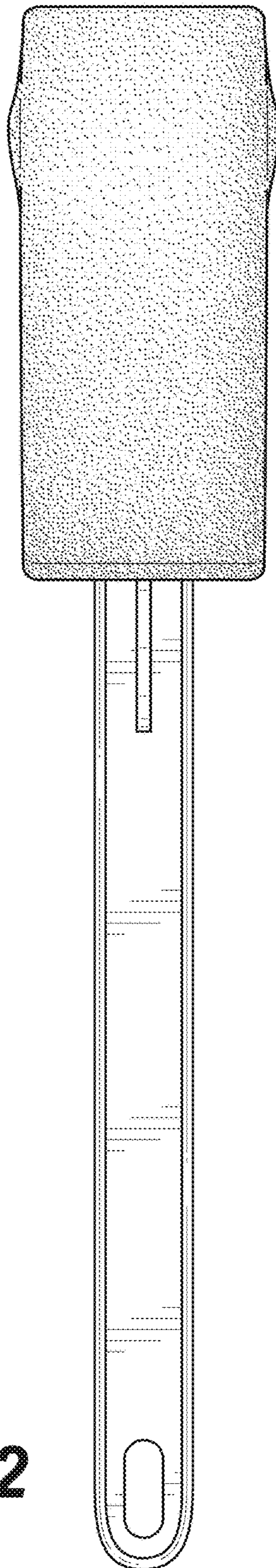


FIG. 2

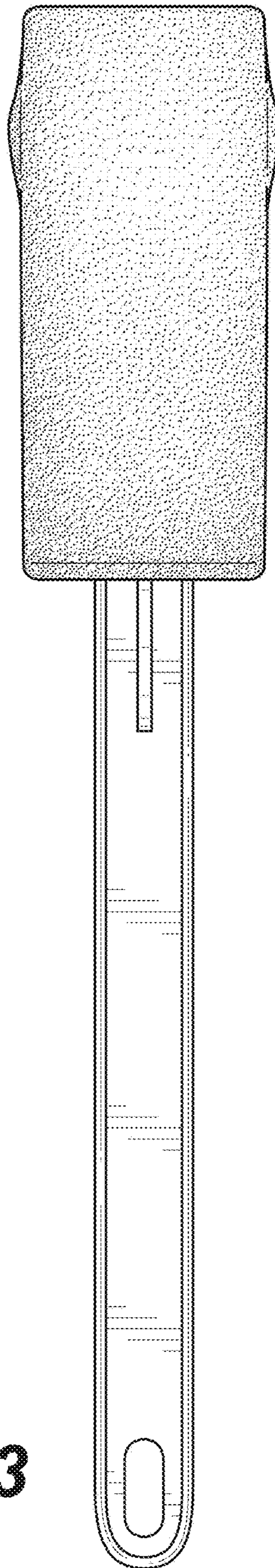


FIG. 3

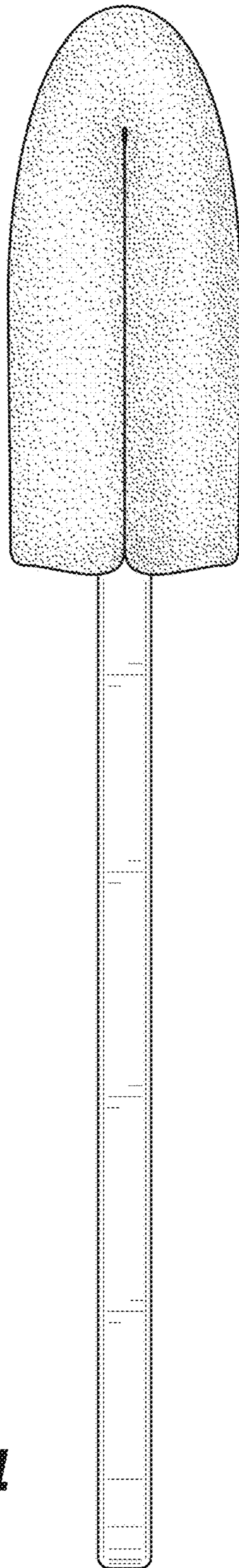


FIG. 4

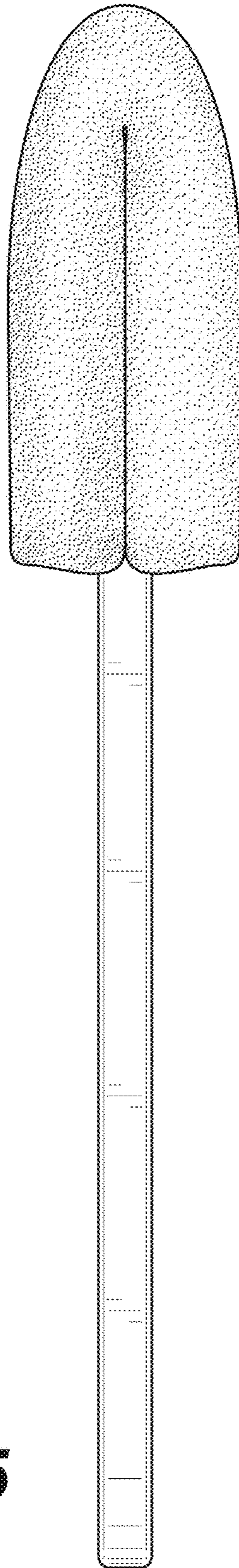


FIG. 5

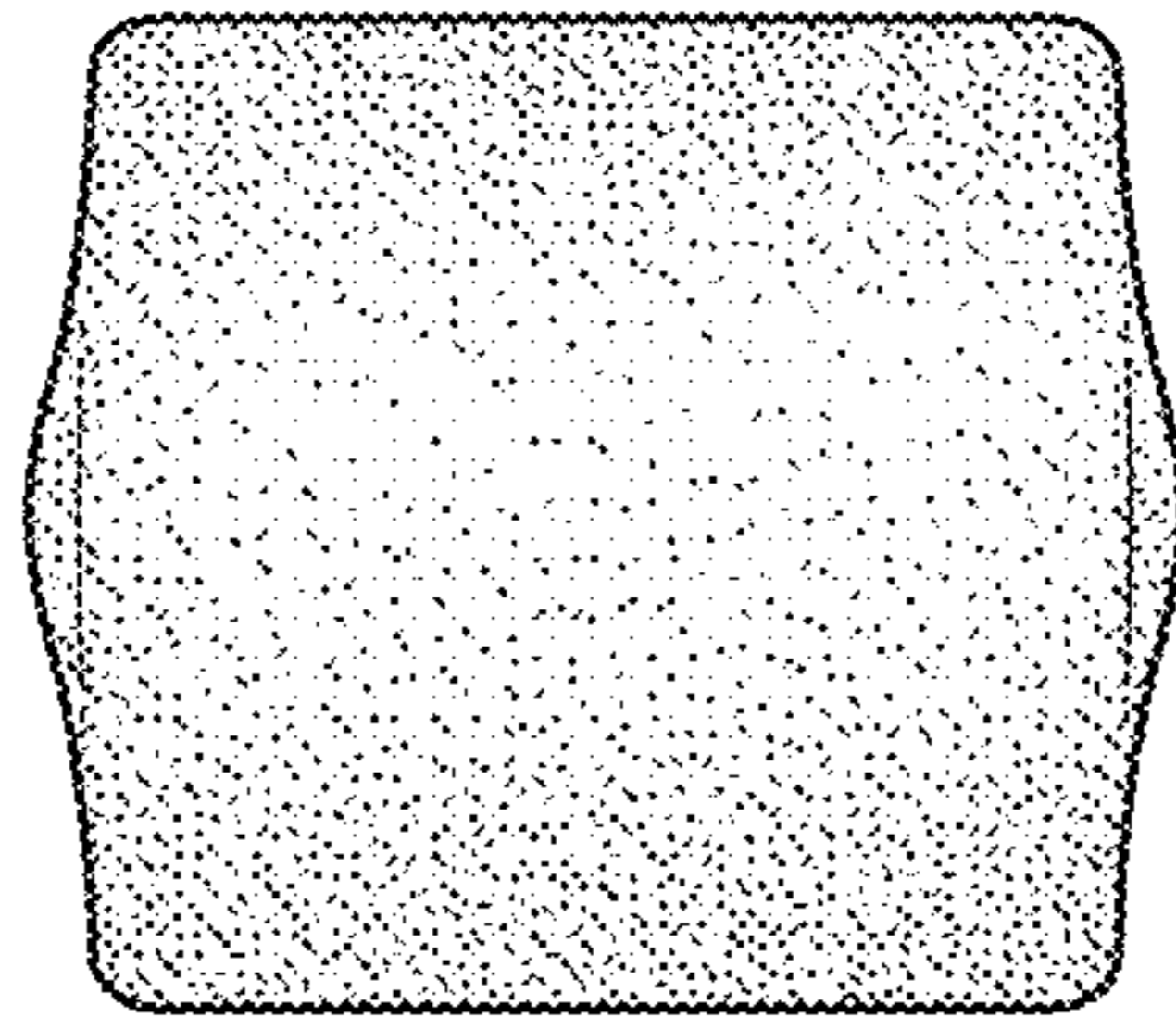


FIG. 6

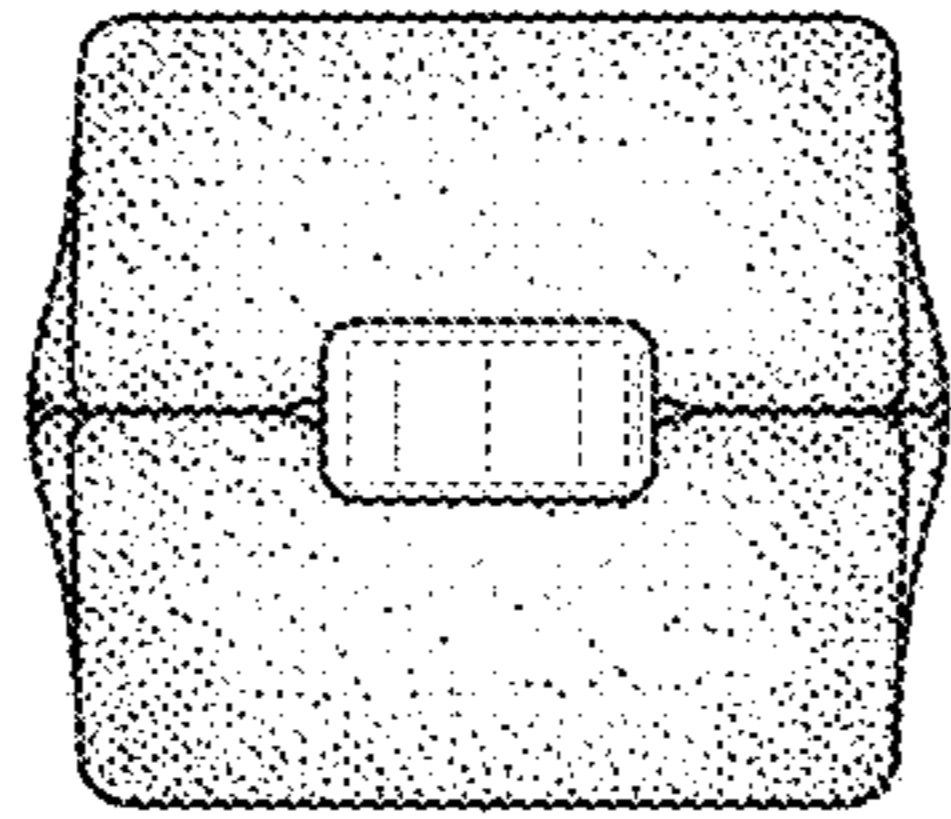


FIG. 7