

US00D804190S

(12) **United States Design Patent** (10) **Patent No.:** **US D804,190 S**
Kuhne (45) **Date of Patent:** **** Dec. 5, 2017**

(54) **BONE-BRUSH**
(71) Applicant: **Gaines Europe Ltd.**, Wicklow Co. (IE)
(72) Inventor: **Thilo Kuhne**, Krefeld (DE)
(73) Assignee: **Gaines Europe Ltd.** (IE)
(**) Term: **15 Years**

(21) Appl. No.: **29/586,866**
(22) Filed: **Dec. 7, 2016**
(51) **LOC (10) Cl.** **04-99**
(52) **U.S. Cl.**
USPC **D4/124**
(58) **Field of Classification Search**
USPC D4/124, 138, 122; D1/106, 127;
D30/160; 15/110, 106
CPC A46B 5/02; A46B 5/00; A46B 9/04
See application file for complete search history.

(56) **References Cited**
U.S. PATENT DOCUMENTS
D197,595 S * 3/1964 Savitt D30/160
D207,167 S * 3/1967 Fisher D30/160
D338,993 S * 9/1993 Lilly D1/106
5,459,899 A * 10/1995 Bauer A46B 9/04
15/110
D433,778 S * 11/2000 Axelrod D30/160
D439,056 S * 3/2001 Woodnorth D4/138
D492,491 S * 7/2004 Woodnorth D4/138
D499,226 S * 12/2004 Axelrod D1/106
D501,700 S * 2/2005 Turner D1/127
7,036,180 B2 * 5/2006 Hanlon A46B 5/02
15/106
D529,667 S * 10/2006 Axelrod D30/160

D552,356 S * 10/2007 Newbould D4/122
D638,606 S * 5/2011 Freije D1/106
D655,091 S * 3/2012 van der Lande D4/122
8,464,388 B2 * 6/2013 Chen A46B 9/04
15/106
2001/0046571 A1 * 11/2001 Eisner A46B 5/00
428/15

OTHER PUBLICATIONS

“... single tooth cleaning bone pet snacks ...” dated Sep. 3, 2017 found at: https://guide.alibaba.com/t-shop/number-of-single-tooth-cleaning-bone-pet-snacks-hi-brush-12-cm-5-teeth-stick-tooth-brush-bite-bone-shaped-fresh-tone_80201317.html.
<http://www.whimzees.com/products/toothbrush>, pulled from Internet on Dec. 12, 2016.

* cited by examiner

Primary Examiner — Rhea Shields
(74) *Attorney, Agent, or Firm* — Berenato & White, LLC

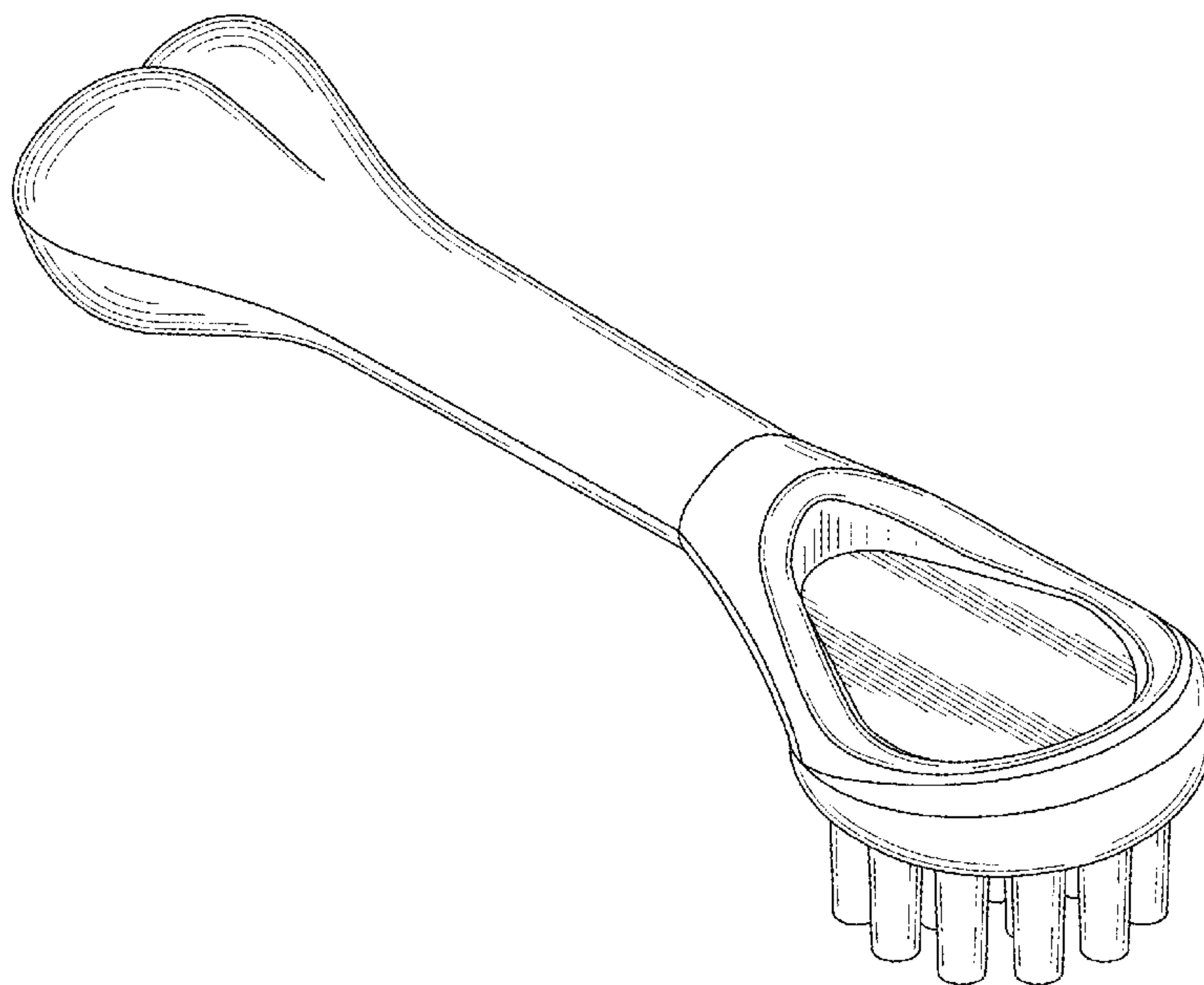
(57) **CLAIM**

The ornamental design for a bone-brush, as shown and described.

DESCRIPTION

FIG. 1 is a right side top front perspective view of my design;
FIG. 2 is a right side top rear perspective view
FIG. 3 is a bottom front perspective view;
FIG. 4 is a bottom plan view;
FIG. 5 is a top plan view;
FIG. 6 is a right side elevational view;
FIG. 7 is a left side elevational view;
FIG. 8 is a front elevational view; and,
FIG. 9 is a rear elevational view.

1 Claim, 5 Drawing Sheets



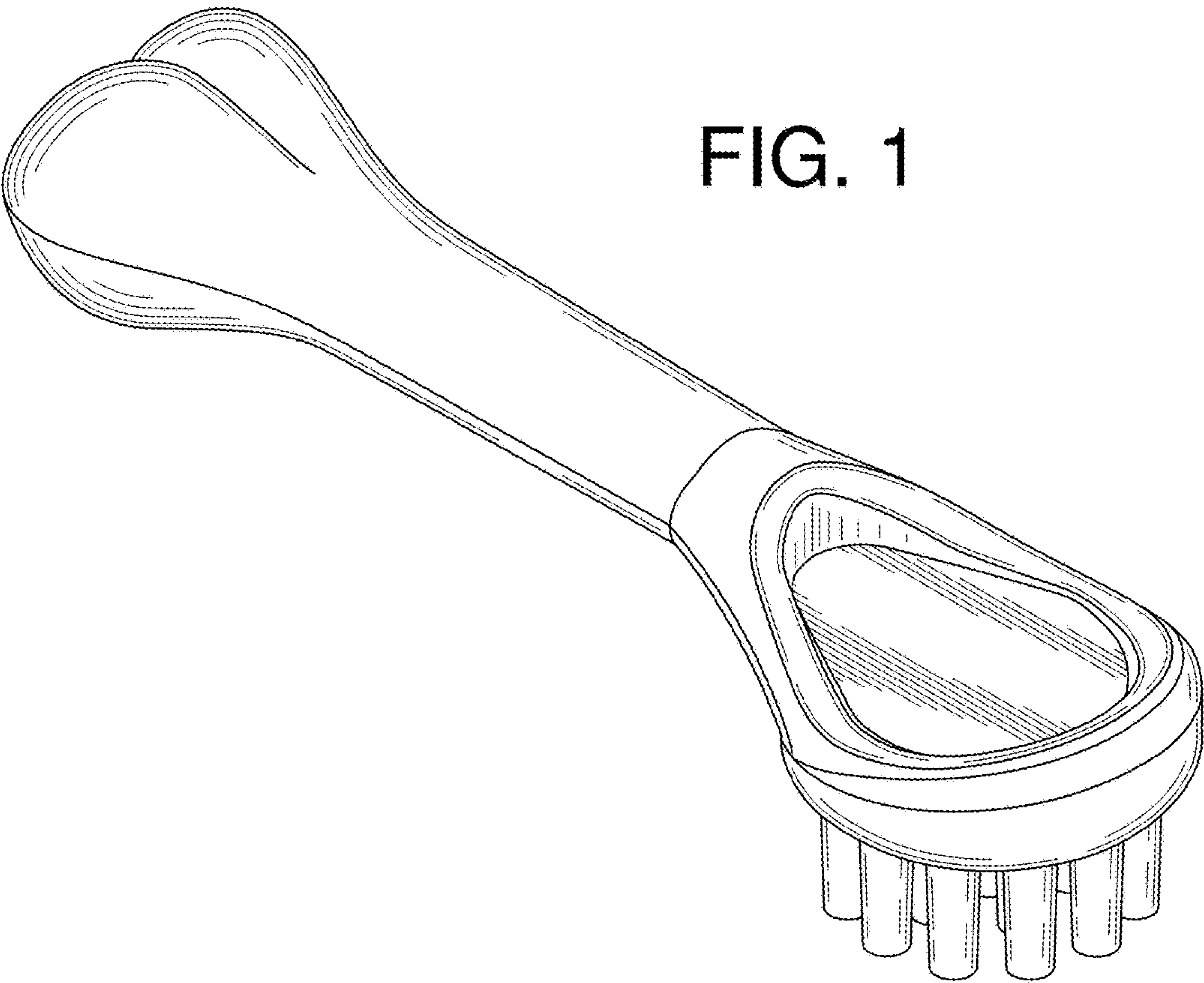


FIG. 1

FIG. 2

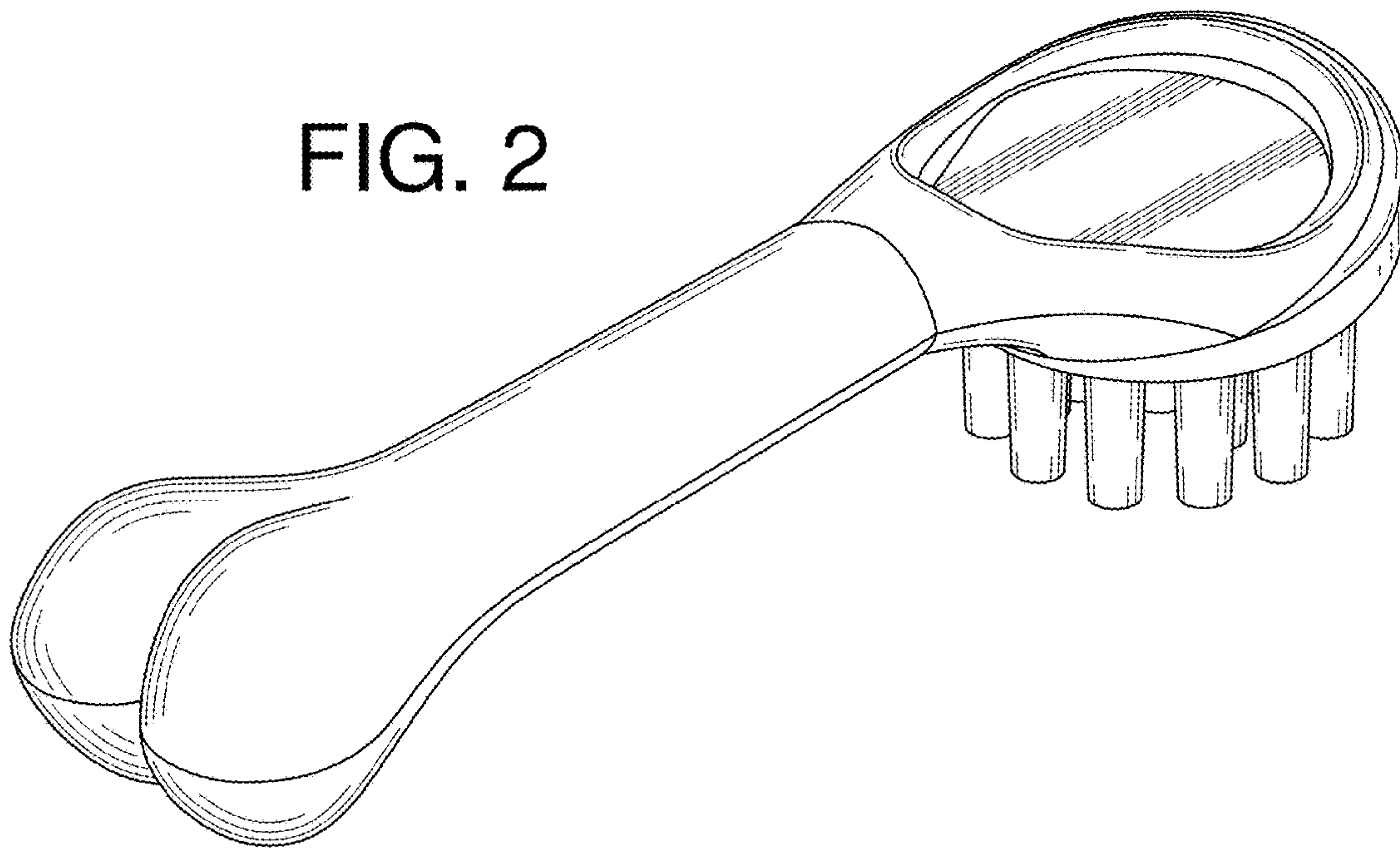


FIG. 3

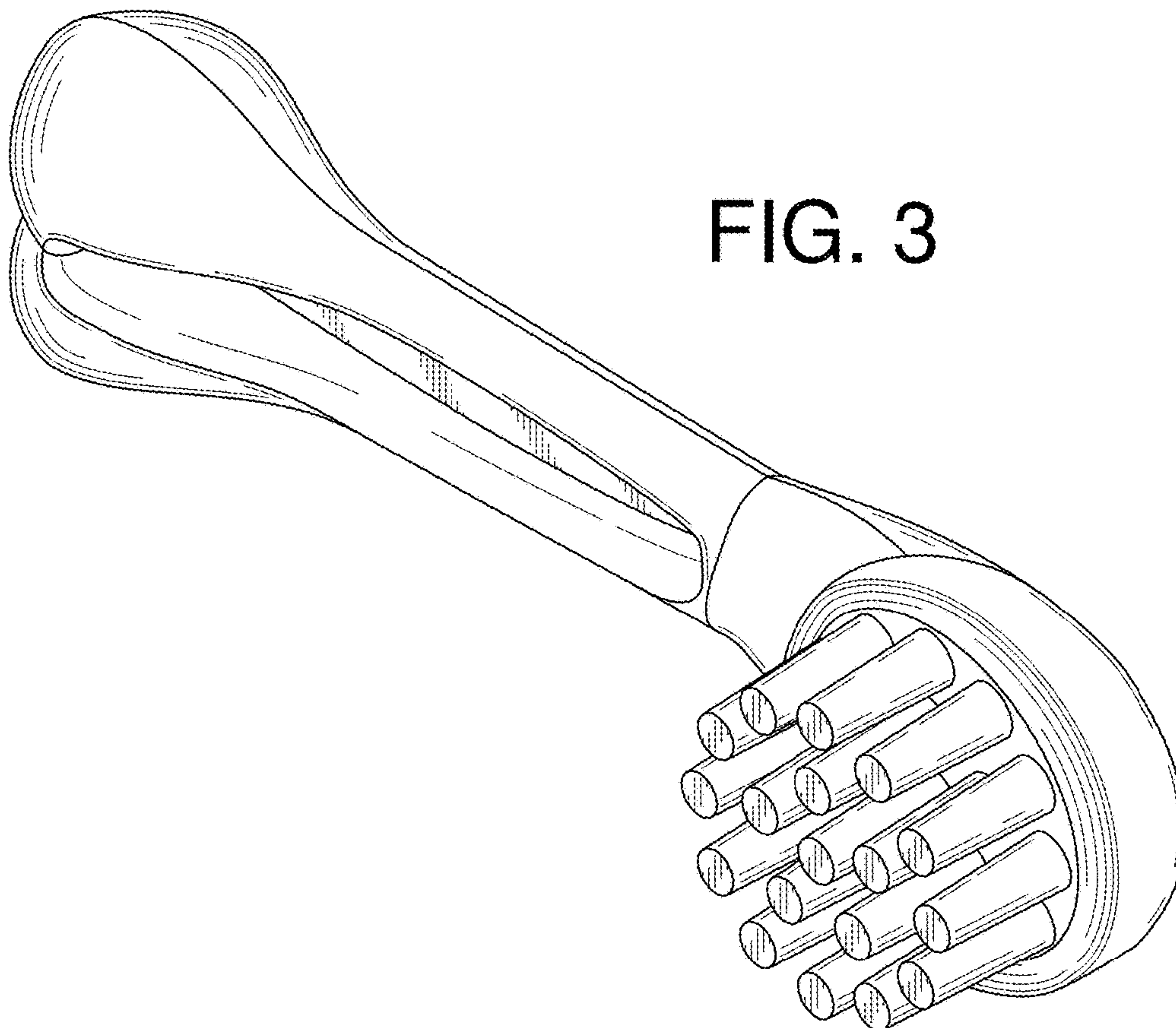


FIG. 4

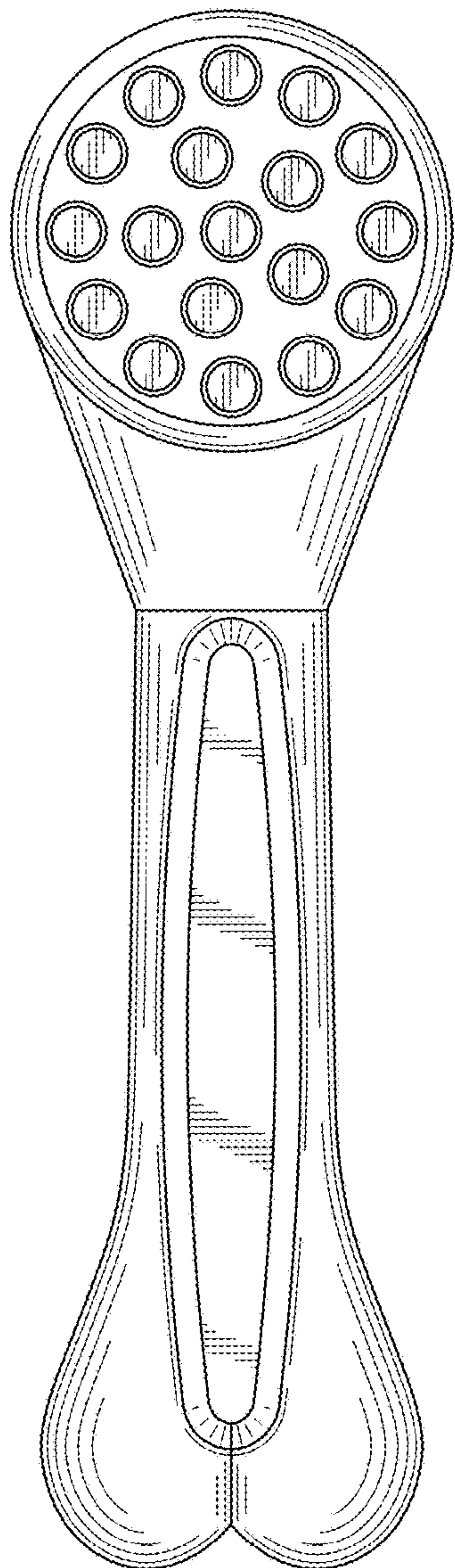


FIG. 5

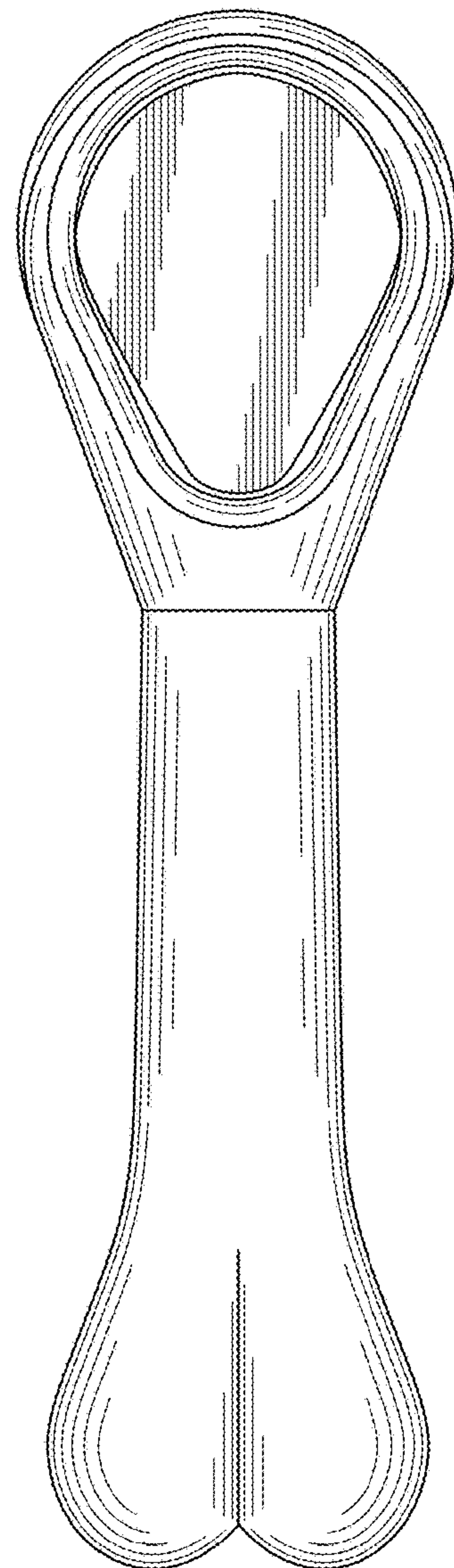


FIG. 6

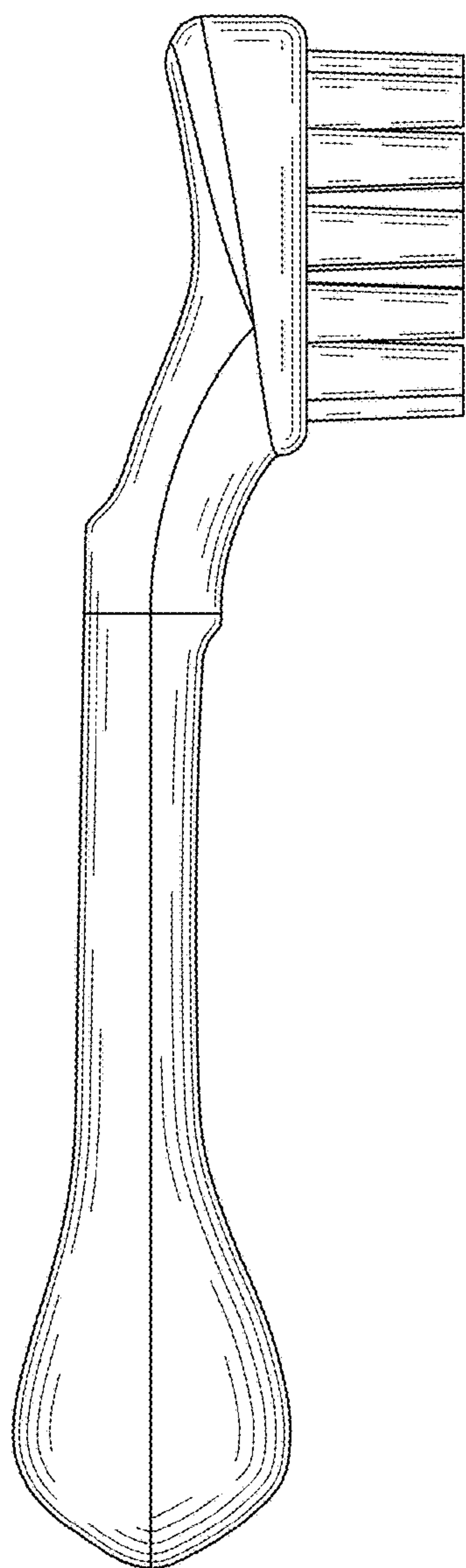


FIG. 7

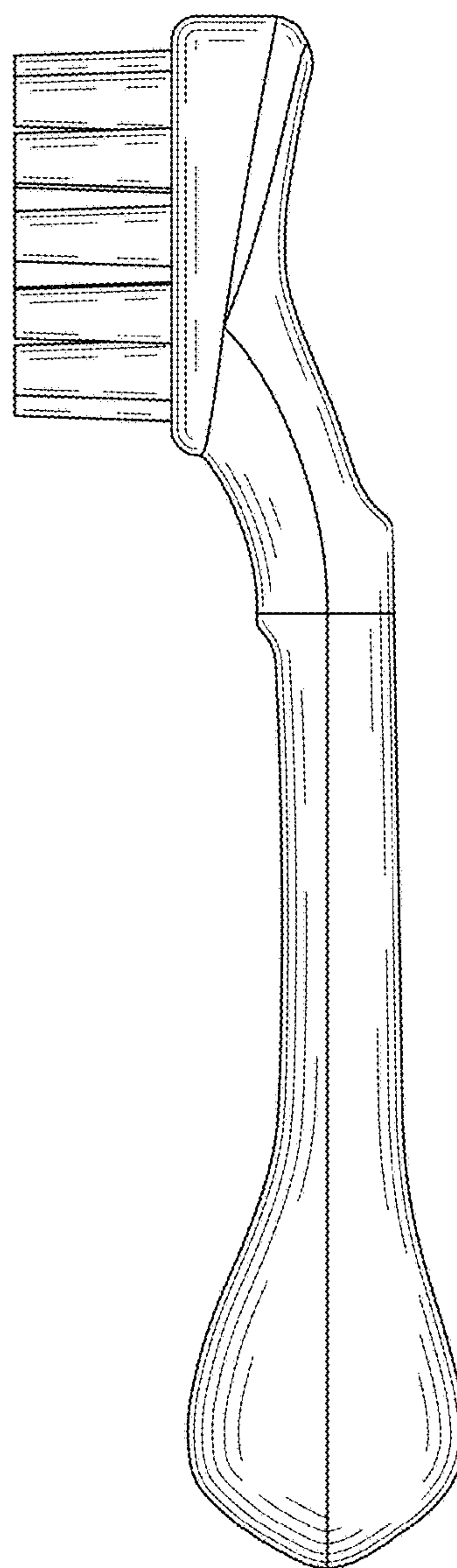


FIG. 8

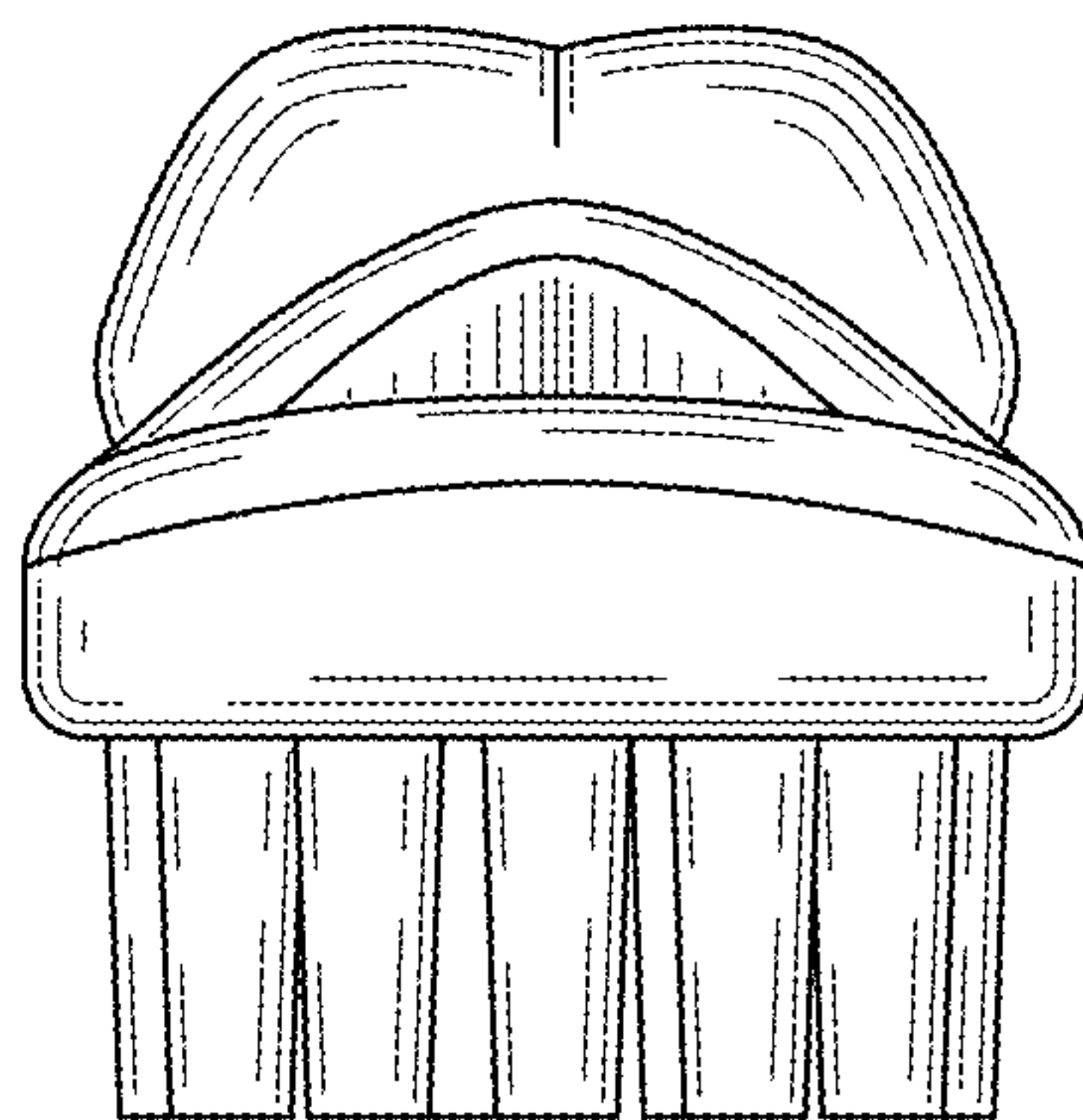


FIG. 9

