



US00D804188S

(12) **United States Design Patent** (10) **Patent No.:** **US D804,188 S**  
**Du** (45) **Date of Patent:** **\*\* Dec. 5, 2017**

(54) **INTELLIGENT ELECTRIC HEATING HAIR STRAIGHTENER**

(71) Applicant: **Yufeng Du**, Shenzhen (CN)

(72) Inventor: **Yufeng Du**, Shenzhen (CN)

(\*\*) Term: **15 Years**

(21) Appl. No.: **29/560,804**

(22) Filed: **Apr. 11, 2016**

(30) **Foreign Application Priority Data**

Oct. 9, 2015 (CN) ..... 2015 3 0388455

(51) **LOC (10) Cl.** ..... **28-03**

(52) **U.S. Cl.**  
USPC ..... **D4/100; D4/129; D4/134; D4/136; D28/35**

(58) **Field of Classification Search**  
USPC ..... D4/100, 102, 114, 115, 116, 117, 128, D4/130, 132, 133, 134, 136, 138, 199; D28/35  
CPC .. A45D 2/002; A45D 2/00; A46B 9/02; A46B 9/06; A46B 9/023; A46B 9/028; A46B 5/02; A46B 9/005; A46B 2200/104  
See application file for complete search history.

(56) **References Cited**

**U.S. PATENT DOCUMENTS**

6,070,596	A	6/2000	Altamore	
D491,309	S	6/2004	McCambridge et al.	
8,209,877	B2 *	7/2012	Smal	A45D 2/002 34/96
8,267,098	B2 *	9/2012	Glucksman	A45D 2/002 132/136
8,627,537	B2 *	1/2014	Mercier	A46B 9/02 132/120
D771,310	S *	11/2016	He	D28/15
D772,483	S *	11/2016	Park	D28/35
9,591,906	B2 *	3/2017	Guy-Rabi	A46B 9/06

(Continued)

**FOREIGN PATENT DOCUMENTS**

CN	301146348	*	2/2010
CN	EM-002954016-0001	*	1/2016
CN	303630099	*	3/2016

(Continued)

**OTHER PUBLICATIONS**

Acevivi Ion Straightener With Hot Air And LCD EU Plug A2565 black [on-line]. Available on the Internet through Amazon Mar. 11, 2016; retrieved from the Internet Aug. 15, 2017. URL: <https://www.amazon.de/exec/obidos/ASIN/B01CTWNMVK/808993244-21>. (10 pages) (Year: 2016).\*

(Continued)

*Primary Examiner* — Karen E Eldridge Powers  
(74) *Attorney, Agent, or Firm* — Greer, Burns & Crain, Ltd.

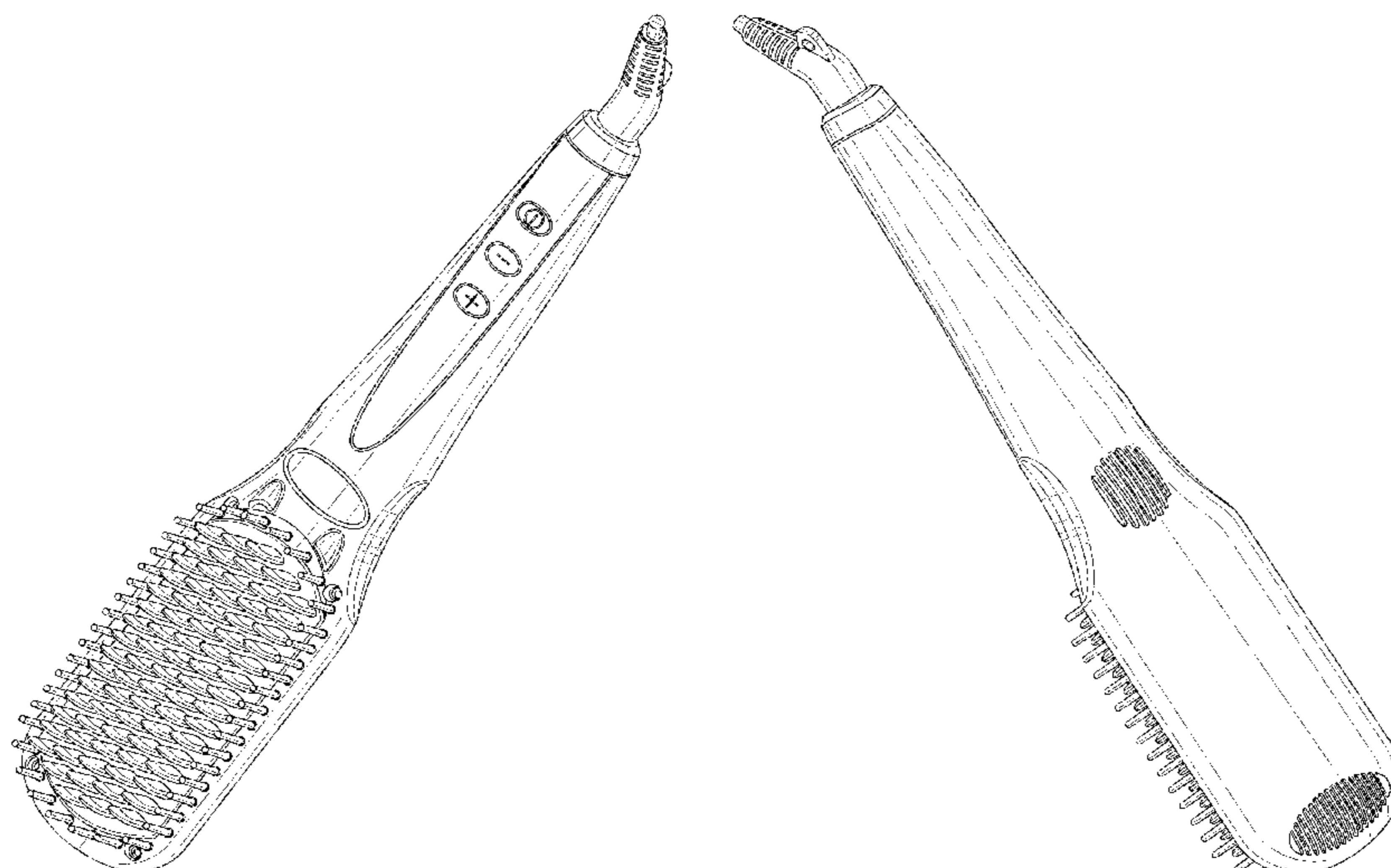
(57) **CLAIM**

The ornamental design for an intelligent electric heating hair straightener, as shown and described.

**DESCRIPTION**

FIG. 1 is a top perspective view of the present hair straightener;  
FIG. 2 is a bottom perspective view of same;  
FIG. 3 is a top plan view of the hair straightener of FIG. 1;  
FIG. 4 is a bottom plan view of same;  
FIG. 5 is a left side elevation view of the hair straightener of FIG. 1;  
FIG. 6 is a right side elevation view of same;  
FIG. 7 is a front elevation view of the hair straightener shown in FIG. 1; and,  
FIG. 8 is a rear elevation view of same.

**1 Claim, 7 Drawing Sheets**



(56)

**References Cited**

U.S. PATENT DOCUMENTS

2016/0227898 A1\* 8/2016 Wu ..... A45D 2/002  
2016/0360847 A1\* 12/2016 He ..... A45D 24/16

FOREIGN PATENT DOCUMENTS

CN	303636725	*	4/2016
CN	303808908	*	8/2016
CN	303914292	*	11/2016
CN	304035298	*	2/2017
CN	304049483	*	2/2017
CN	304067462	*	3/2017
CN	304083958	*	3/2017
CN	304189306	*	6/2017
EM	000893250-0006	*	4/2008

OTHER PUBLICATIONS

Acevivi Digital Electric Hair Straightener Comb [on-line]. Original availability date on-line unknown; retrieved from the Internet Aug. 15, 2017. URL: <http://www.wholesalebuying.com/product/acevivi-digital-electric-hair-straightener-comb-heating-detangling-hair-brush-eu--us--uk-plug-190576> (Year: 2017).\*

\* cited by examiner

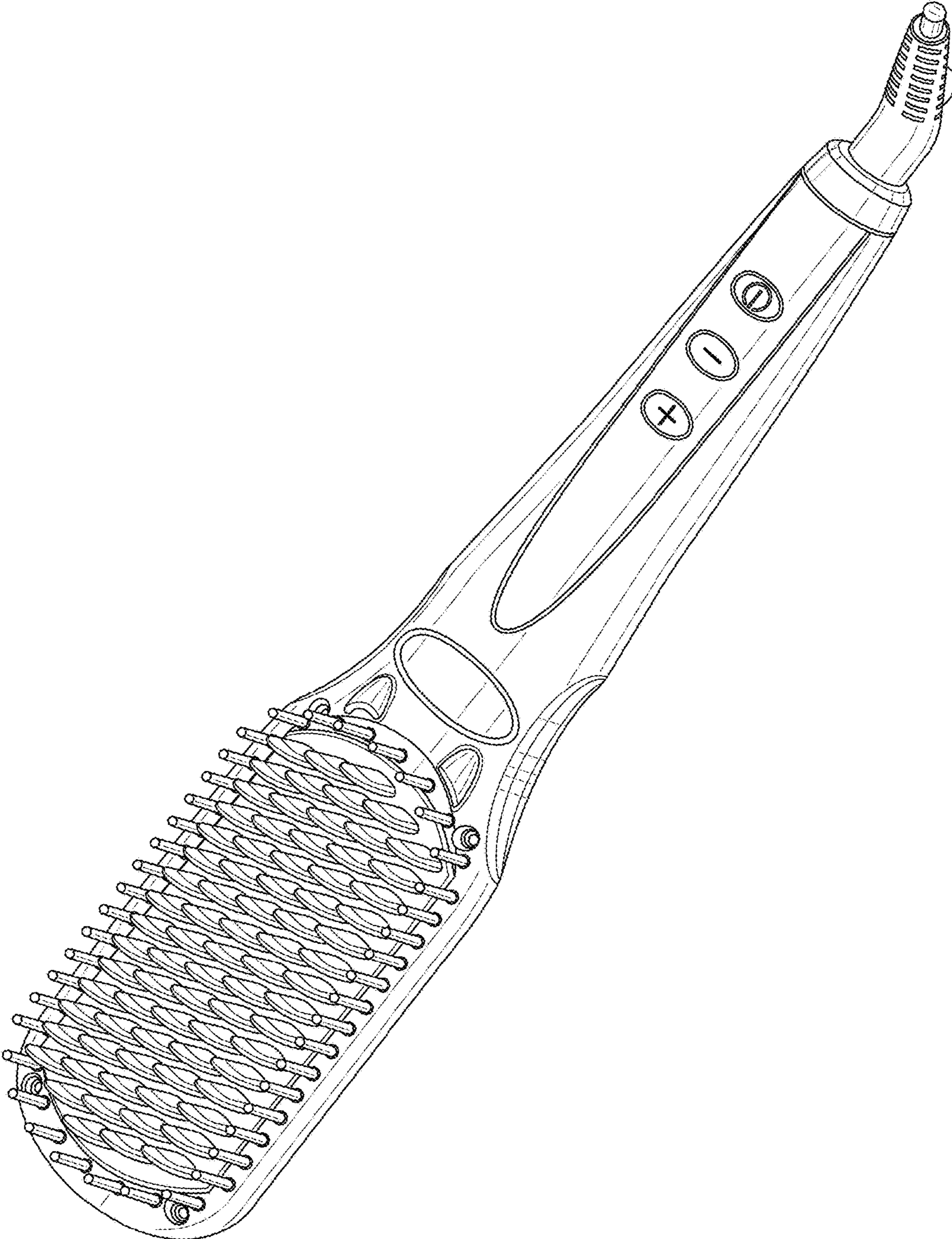


FIG. 1



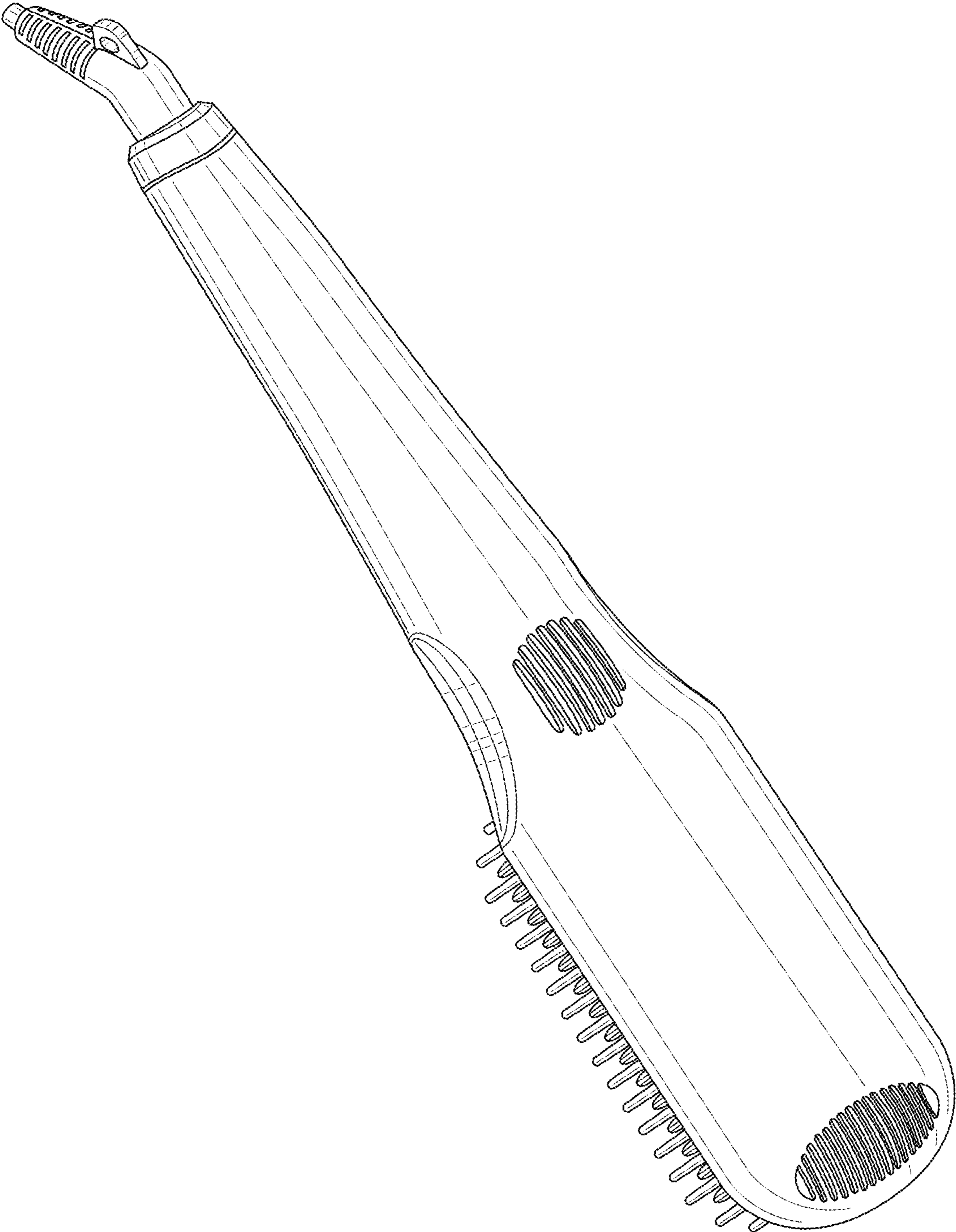


FIG. 2

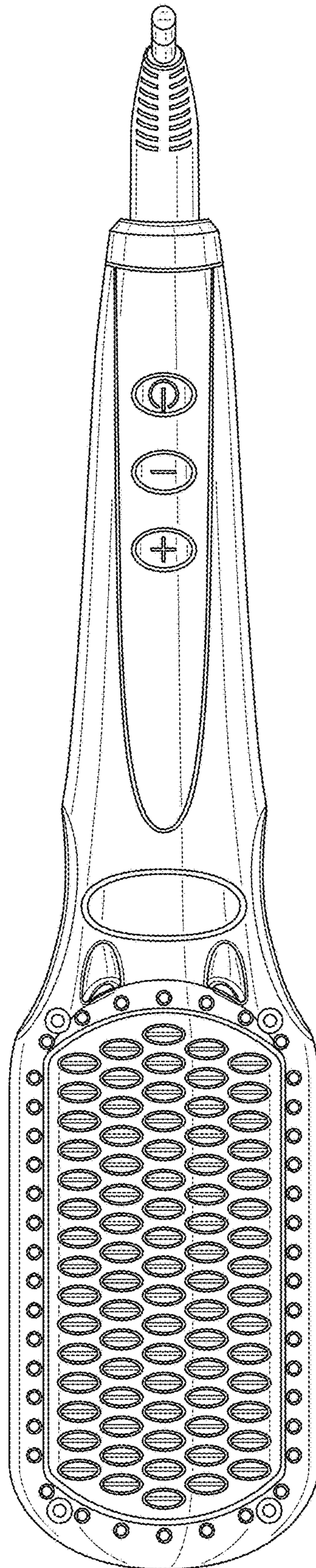


FIG. 3

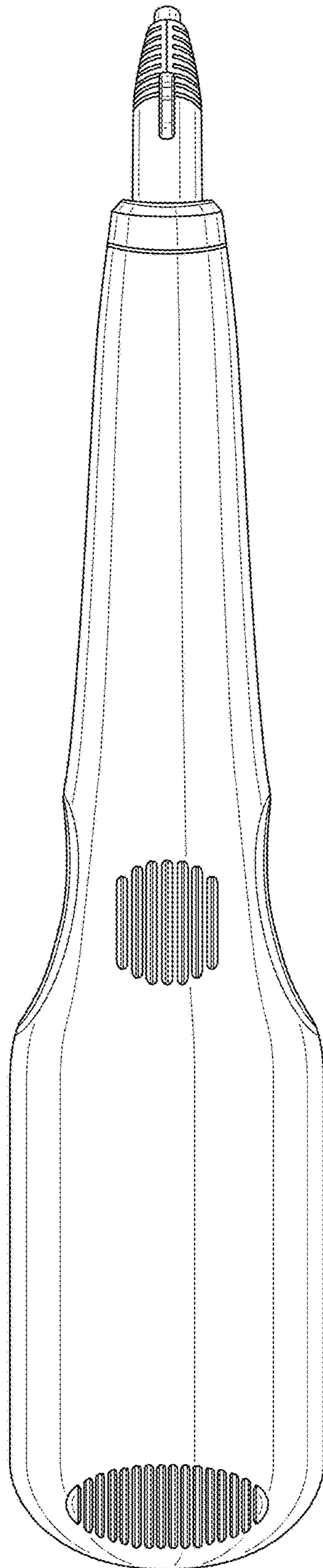


FIG. 4

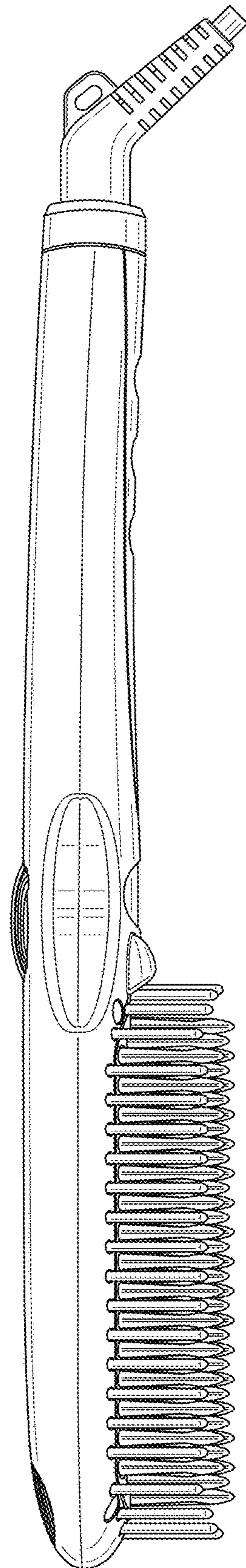


FIG. 5



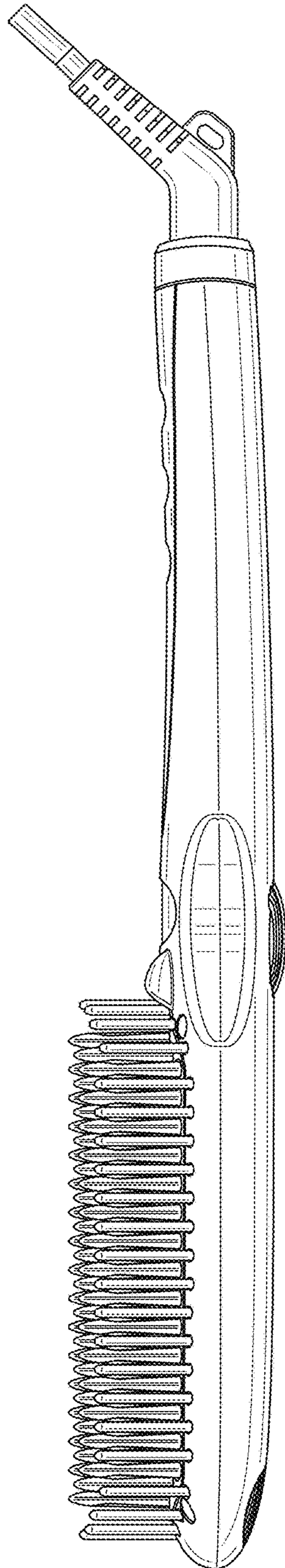


FIG. 6



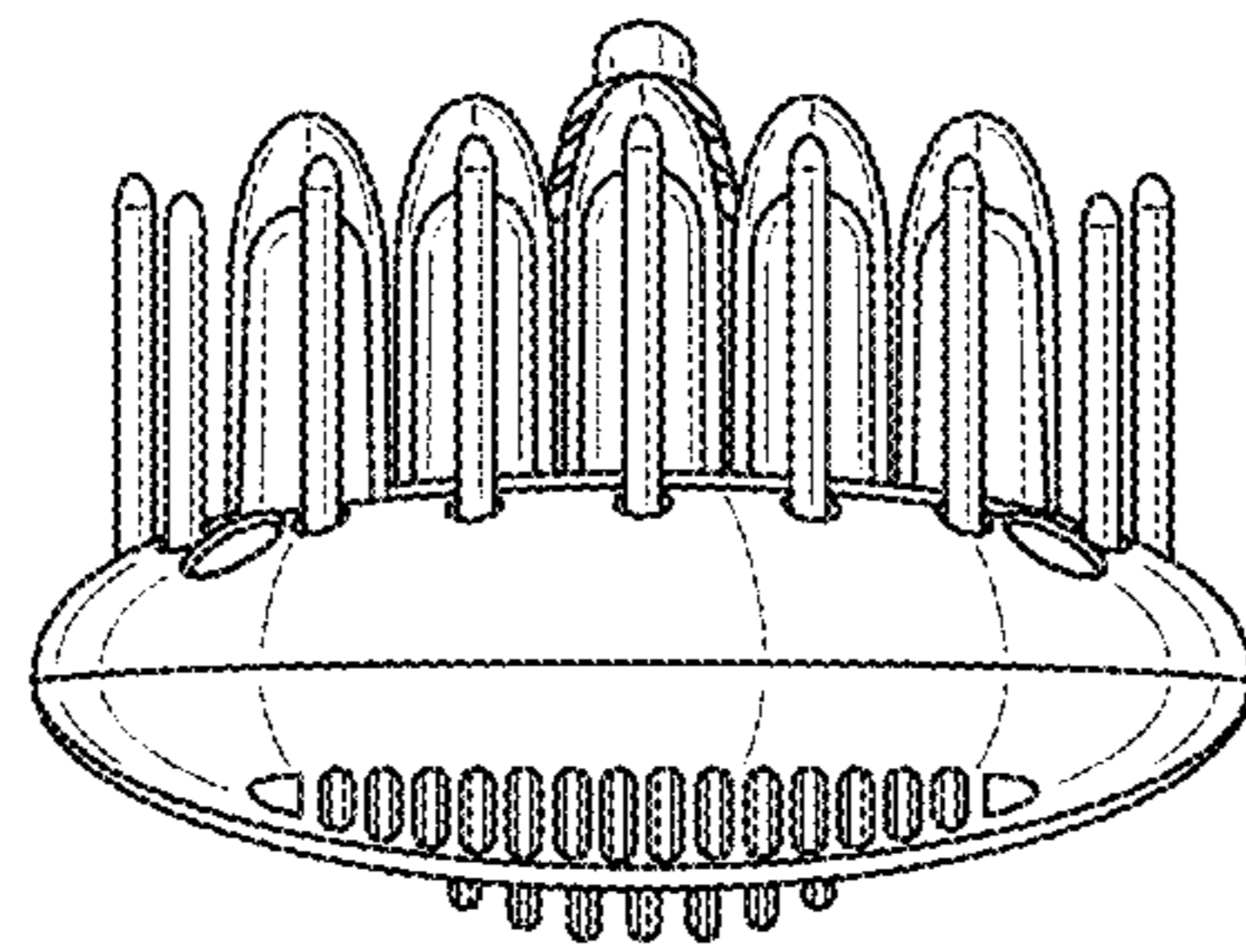


FIG. 7

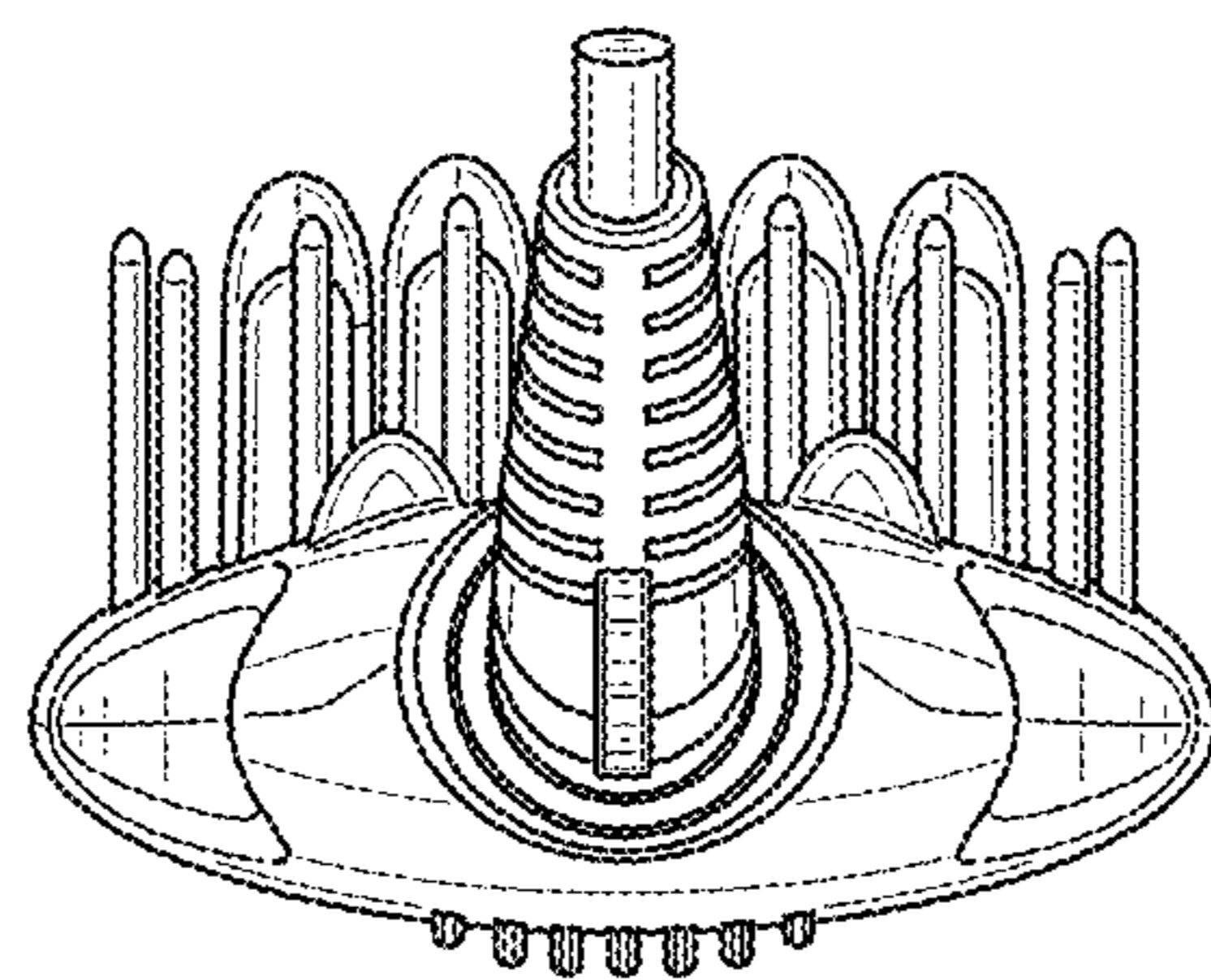


FIG. 8