



US00D804187S

(12) **United States Design Patent** (10) **Patent No.:** **US D804,187 S**
Jacob et al. (45) **Date of Patent:** **** Dec. 5, 2017**

(54) **SUITCASE**
(71) Applicant: **Matte-Veede, FZE**, Fujairah (AE)
(72) Inventors: **Jonathan Jacob**, Dubai (AE); **Arman Emami**, Berlin (DE)
(73) Assignee: **Matte-Veede, FZE**, Fujairah (AE)
(**) Term: **15 Years**
(21) Appl. No.: **29/550,285**
(22) Filed: **Dec. 31, 2015**
(51) **LOC (10) Cl.** **03-01**
(52) **U.S. Cl.**
USPC **D3/319; D3/310**
(58) **Field of Classification Search**
USPC D3/201, 204, 216, 272-275, 279, 280,
D3/282, 283, 284, 288, 289, 294, 309,
D3/315, 318, 321, 322, 323, 902; D5/1,
D5/2, 4, 47, 54, 58, 59, 62; D7/605, 701,
D7/703; D9/430-433; D10/49, 50, 60,
D10/103, 125, 132; D12/406, 409, 410,
D12/412, 413; D14/341, 443, 448, 451;
D24/185; D25/48.8, 141, 152, 153;
D34/25
CPC A45C 5/00; A45C 5/03; A45C 2005/032;
A45C 2005/035; A45C 2005/037; A45C
13/02
See application file for complete search history.

D367,404 S * 2/1996 Scheffer D14/168
D414,987 S * 10/1999 Moffett, III D7/605
D419,299 S * 1/2000 Bauer D3/279
D447,371 S * 9/2001 Quinn D3/313
D474,600 S * 5/2003 Lewis D3/284
D486,305 S * 2/2004 Leeb D3/284
D507,876 S * 8/2005 Fadely D3/279
D582,673 S * 12/2008 Mangano D3/279
D601,382 S * 10/2009 Ishida D7/538
D646,528 S * 10/2011 Stallman D7/605
D649,351 S * 11/2011 Willi D3/284
D666,816 S * 9/2012 Weber D3/279
D672,955 S * 12/2012 Benshetrit D3/279
D688,456 S * 8/2013 Hare D3/279
D694,070 S * 11/2013 Torres D7/605
D695,107 S * 12/2013 Clements D9/425
D719,736 S * 12/2014 Blount D3/318
D732,291 S * 6/2015 Hsieh D3/284

(Continued)

Primary Examiner — Susan E Krakower
Assistant Examiner — Lisa A Grabenstetter
(74) *Attorney, Agent, or Firm* — Banner & Witcoff, Ltd.

(57) **CLAIM**

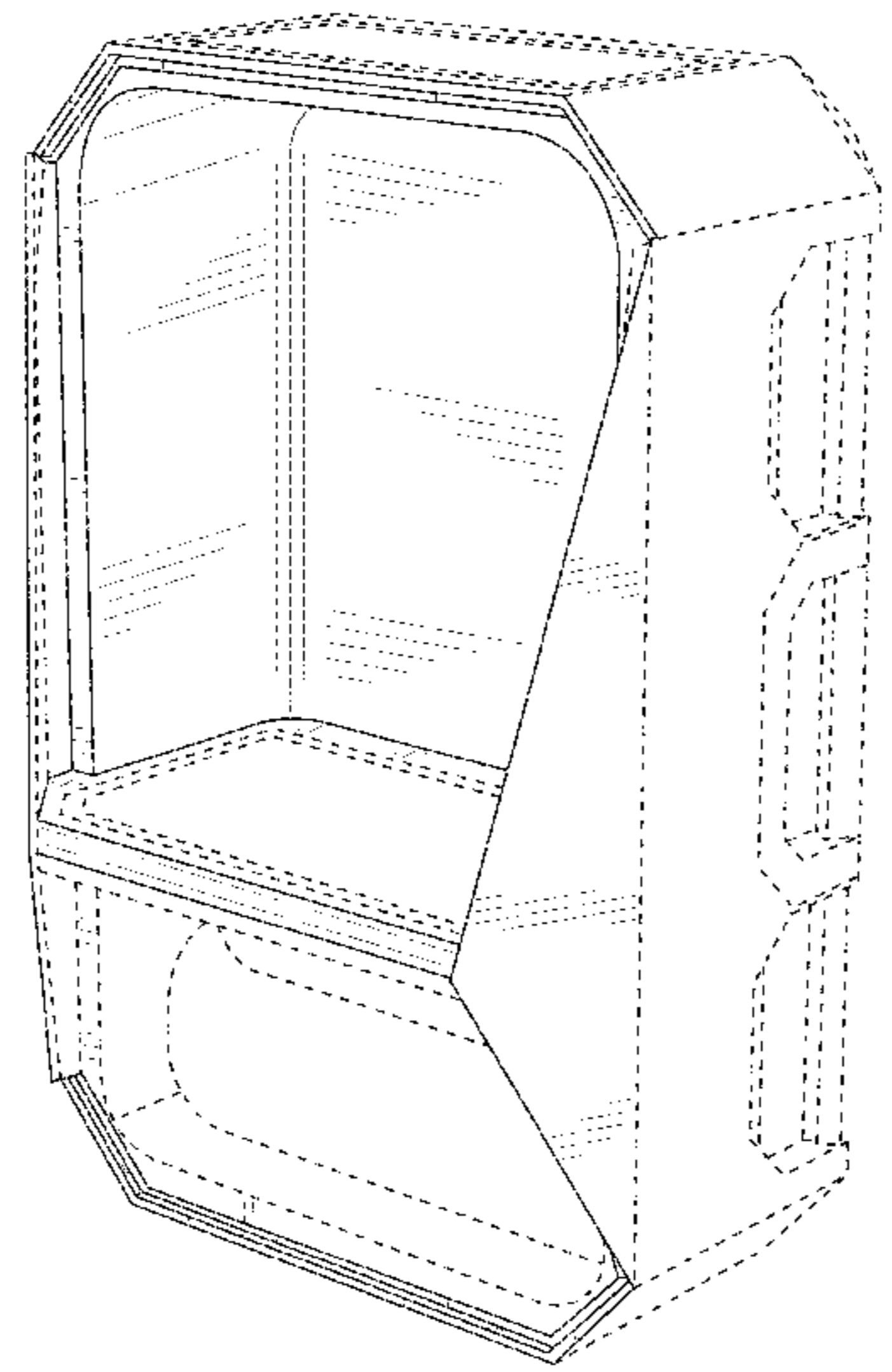
The ornamental design for a suitcase, as shown and described.

DESCRIPTION

FIG. 1 is a perspective front right view of a suitcase showing our new design;
FIG. 2 is a perspective front left view thereof;
FIG. 3 is a perspective top front right view thereof;
FIG. 4 is a front view thereof;
FIG. 5 is a left side view thereof;
FIG. 6 is a right side view thereof;
FIG. 7 is a top view thereof; and,
FIG. 8 is a bottom view thereof.
The broken lines show a portion of the suitcase which form no part of the claimed design.

1 Claim, 8 Drawing Sheets

(56) **References Cited**
U.S. PATENT DOCUMENTS
D152,653 S * 2/1949 Rinehart 190/13 F
D234,546 S * 3/1975 Freeman D3/284
D265,711 S * 8/1982 Dunden D15/89
4,515,421 A * 5/1985 Steffes A45C 11/20
312/351
4,577,773 A * 3/1986 Bitel A47B 88/20
206/561
D349,815 S * 8/1994 Wolff D28/61



(56)

References Cited

U.S. PATENT DOCUMENTS

9,161,599 B1 * 10/2015 Shelton A45C 11/02
D743,697 S * 11/2015 Tooze D3/279
D747,098 S * 1/2016 Collins D3/254
D755,519 S * 5/2016 Harrison D3/279
2009/0000894 A1 * 1/2009 Middup A45C 5/14
190/15 R
2016/0270499 A1 * 9/2016 Lawrenson A45C 5/005

* cited by examiner

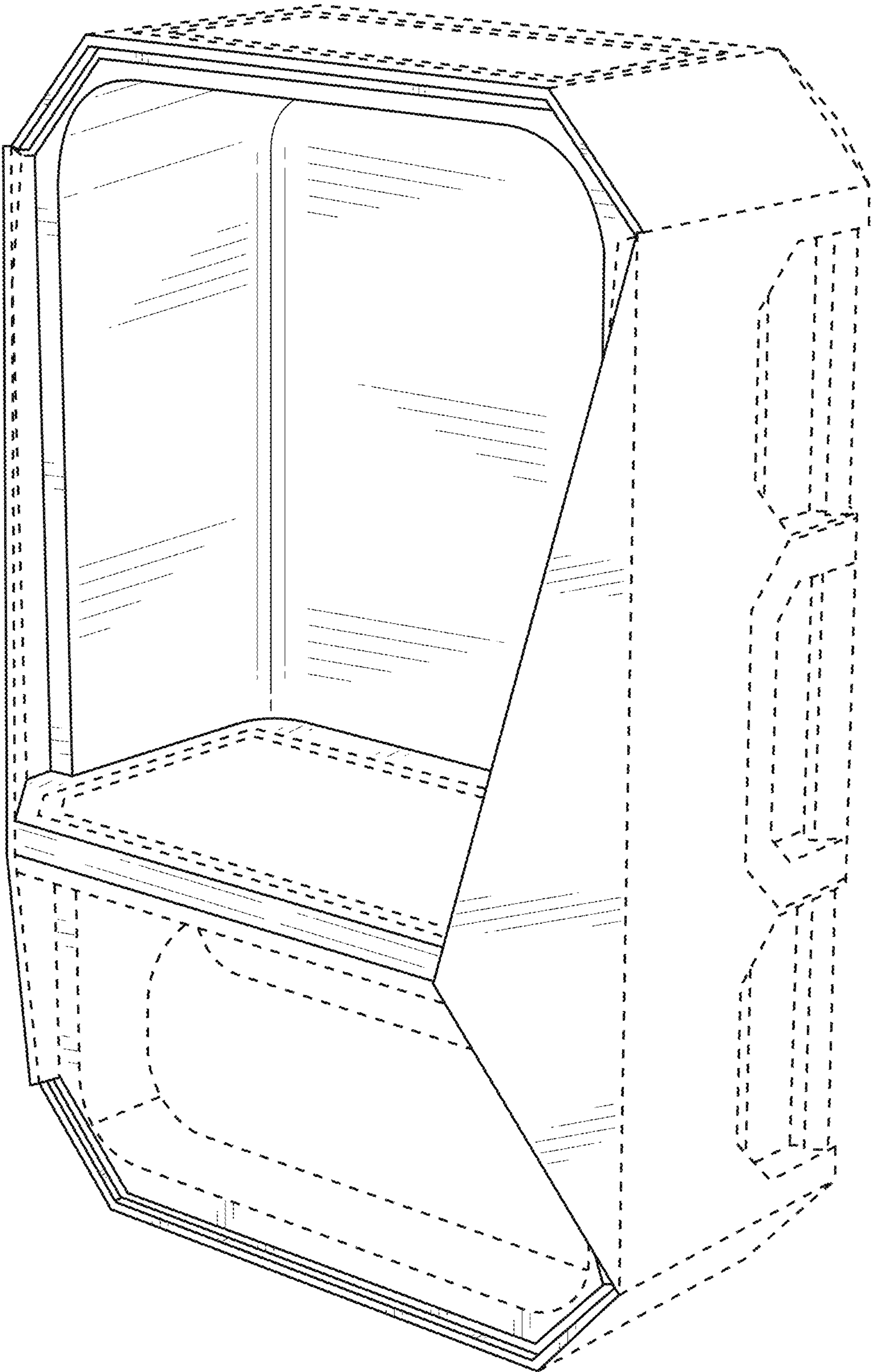


FIG. 1

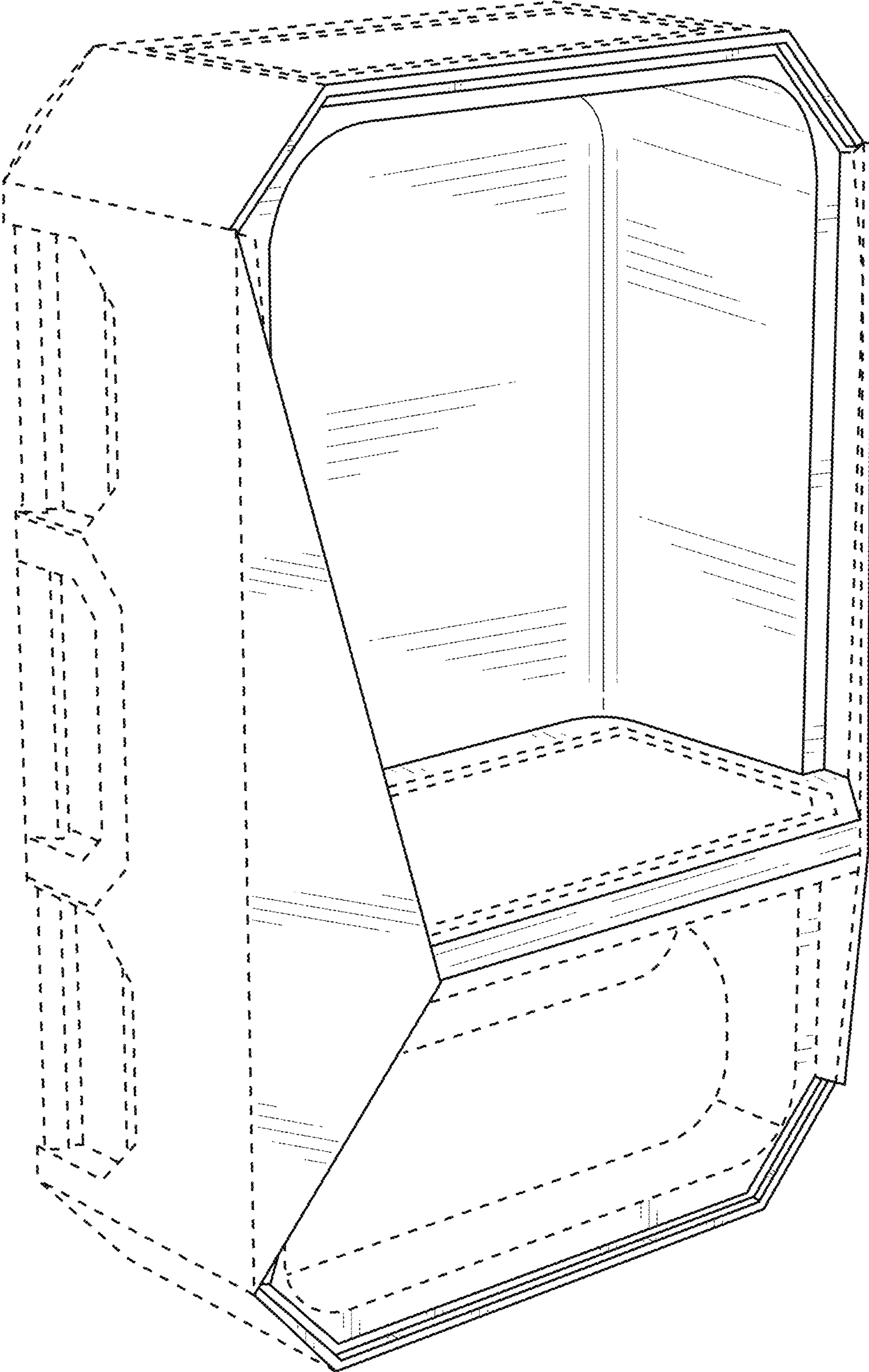


FIG. 2

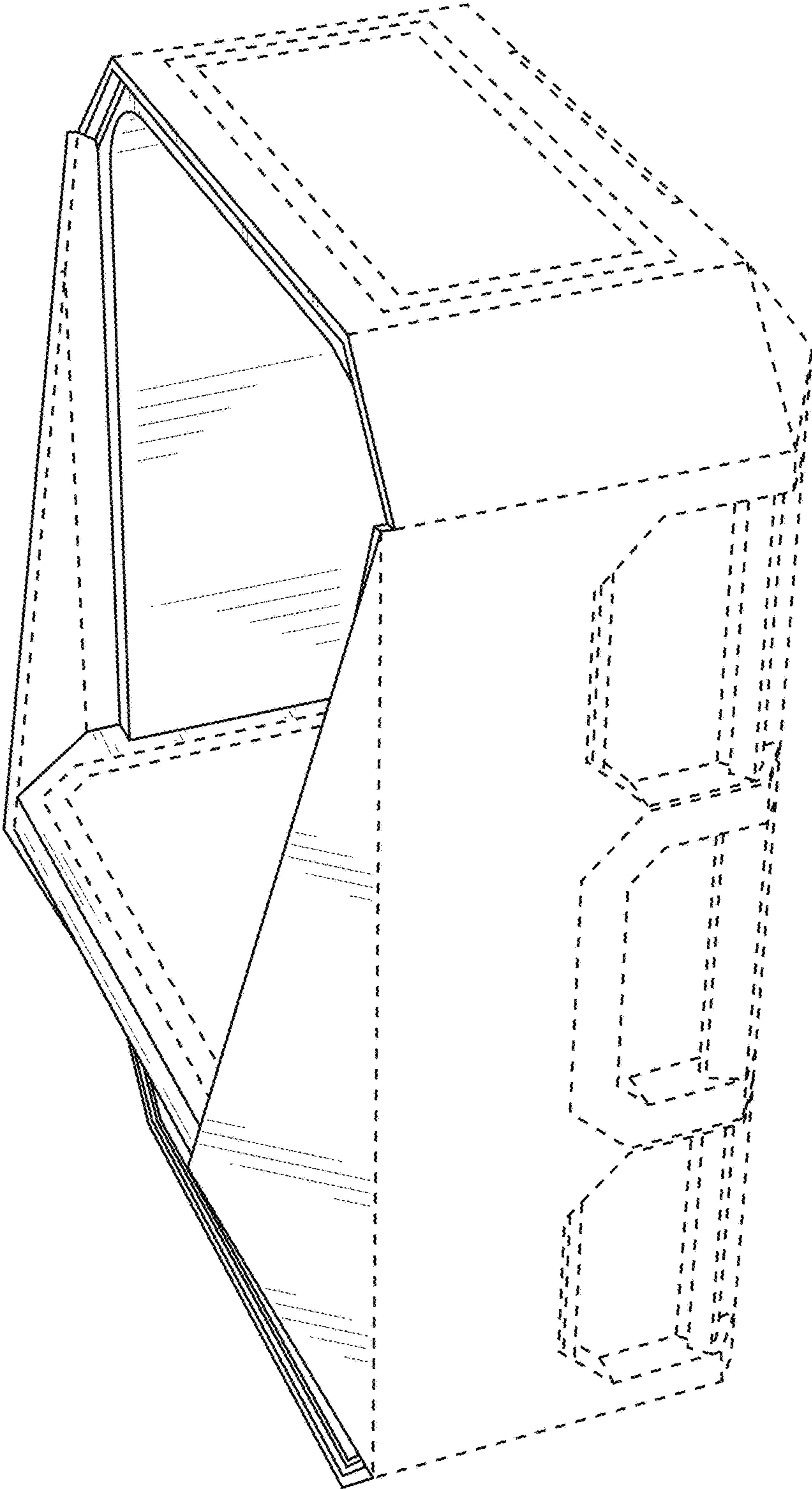


FIG. 3

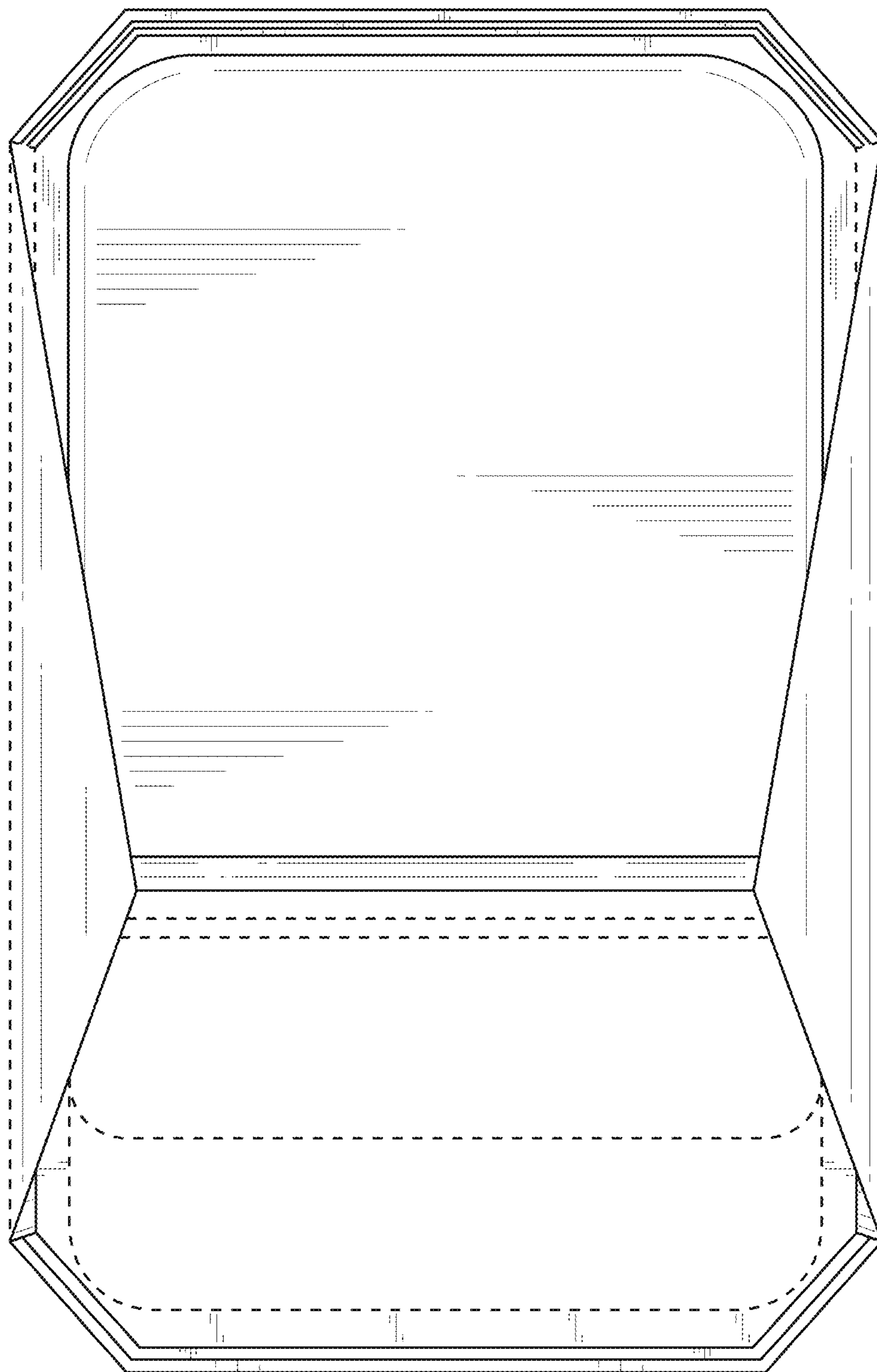


FIG. 4

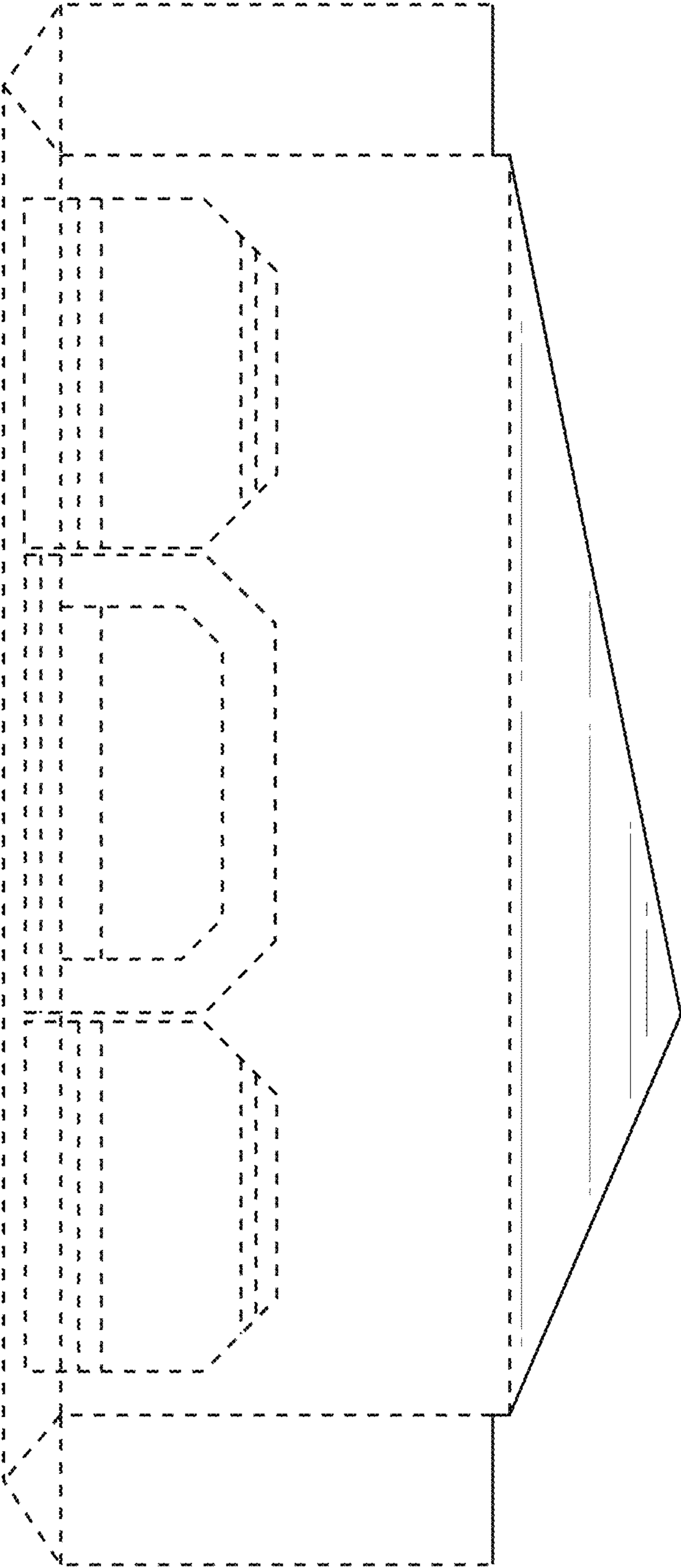


FIG. 5

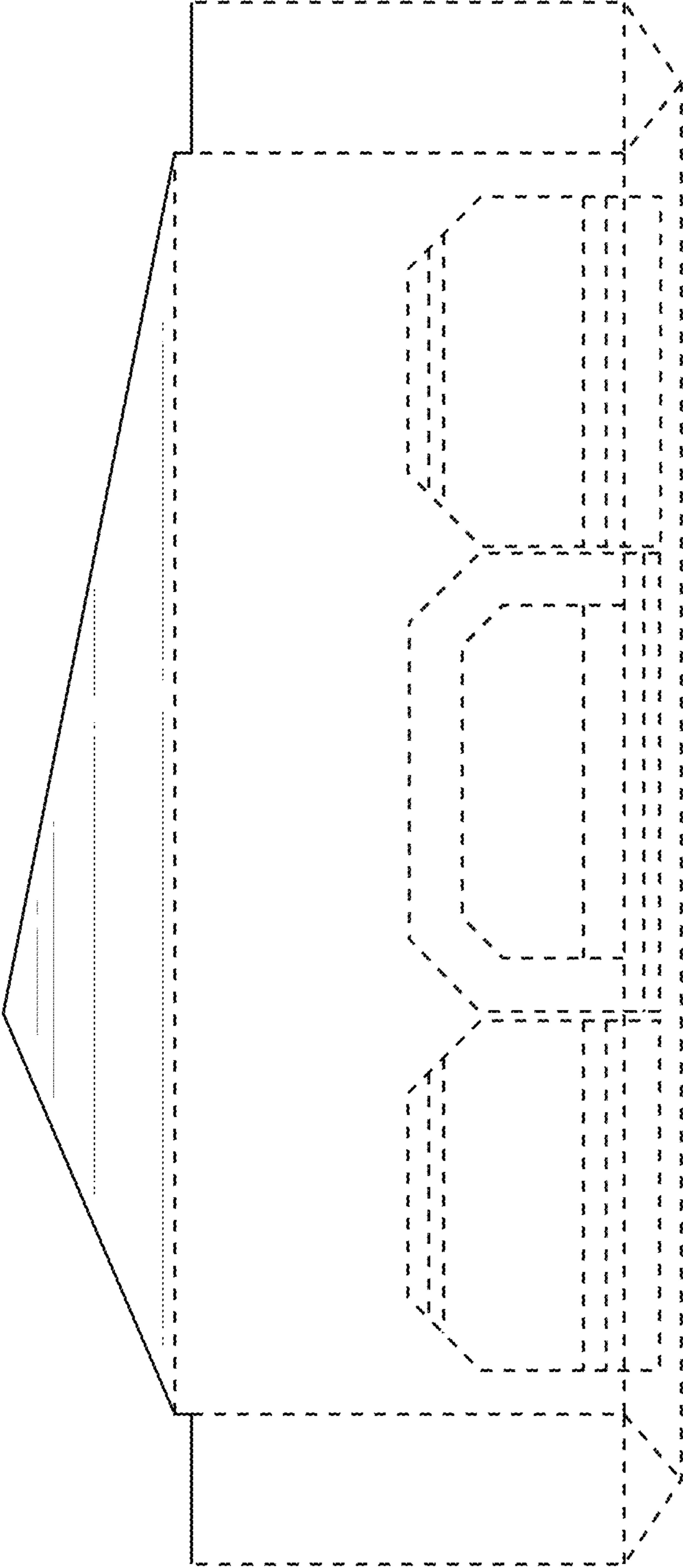


FIG. 6

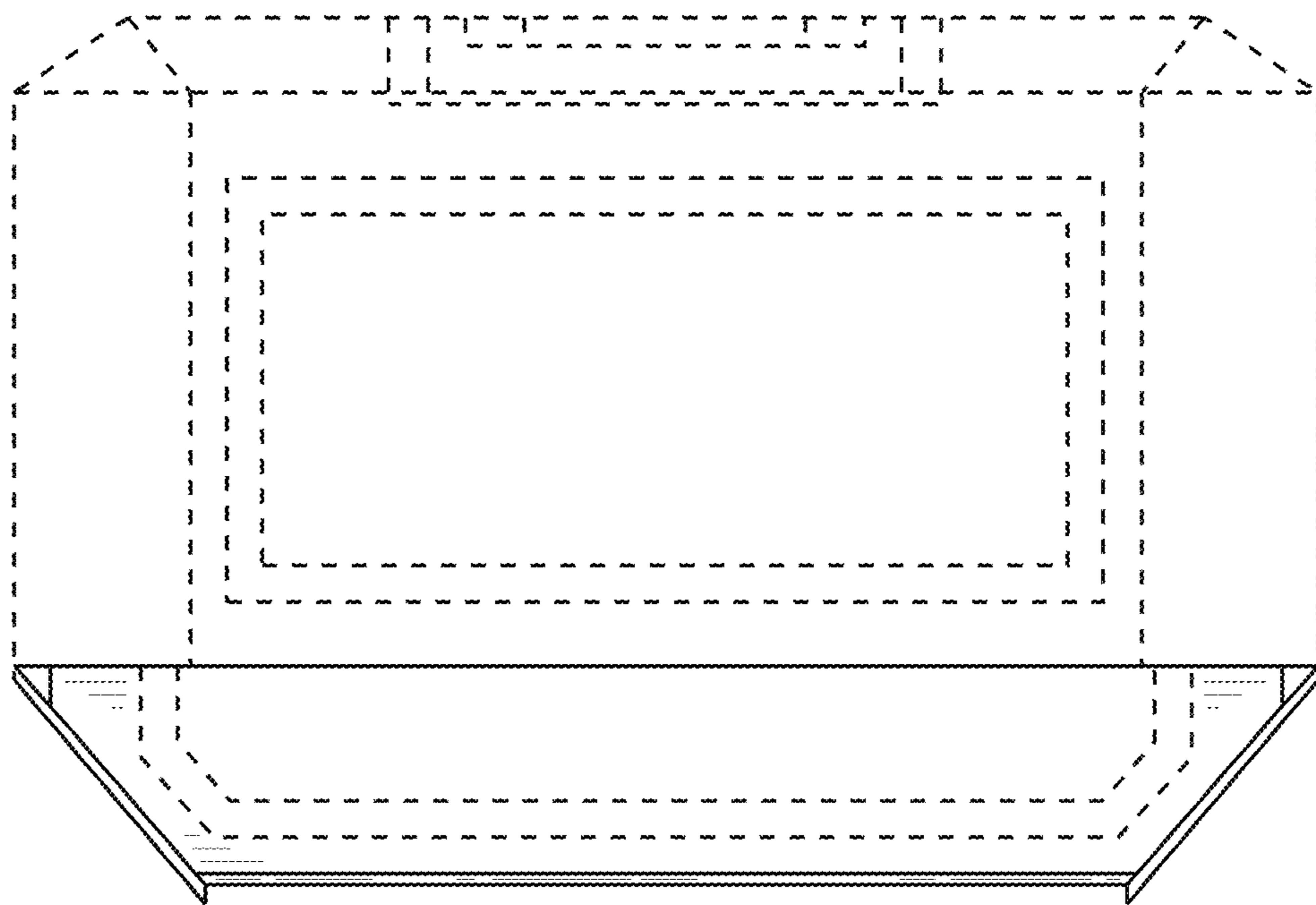


FIG. 7

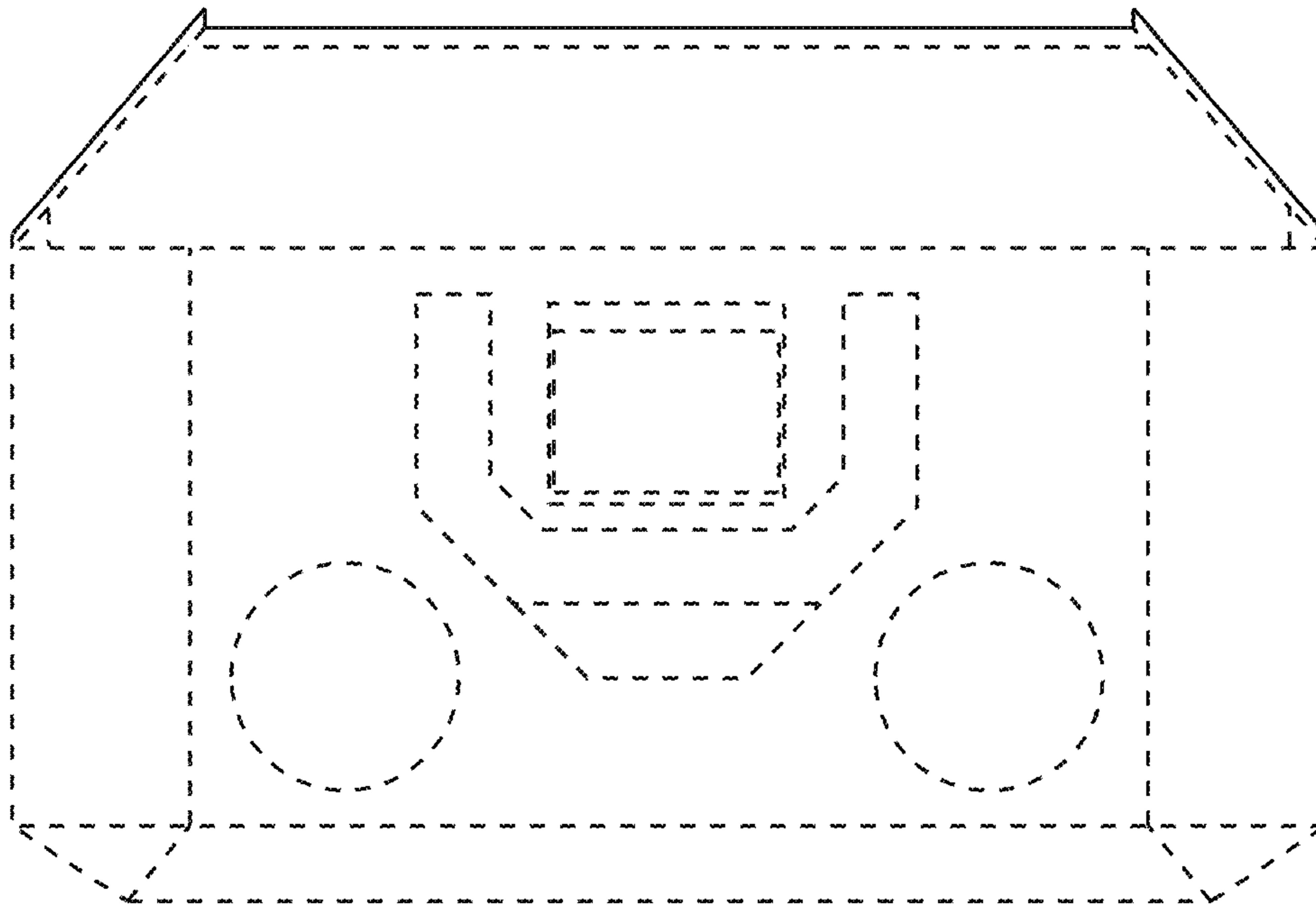


FIG. 8