



US00D804184S

(12) **United States Design Patent** (10) **Patent No.:** **US D804,184 S**  
**Mutoh et al.** (45) **Date of Patent:** **\*\* Dec. 5, 2017**

(54) **RIM FOR A SHOPPING BASKET WITH DATA READER**

(71) Applicant: **Panasonic Intellectual Property Management Co., Ltd., Osaka (JP)**

(72) Inventors: **Junichi Mutoh, Osaka (JP); Satoshi Tanigawa, Tokyo (JP); Yukio Uno, Tokyo (JP); Yoshihiko Matsukawa, Nara (JP); Tatsuya Miyazaki, Osaka (JP); Tohru Nakamura, Osaka (JP)**

(73) Assignee: **Panasonic Intellectual Property Management Co., Ltd., Osaka (JP)**

(\*\*) Term: **15 Years**

(21) Appl. No.: **29/577,465**

(22) Filed: **Sep. 13, 2016**

(30) **Foreign Application Priority Data**

Mar. 14, 2016 (JP) ..... 2016-005460

(51) **LOC (10) Cl.** ..... **03-01**

(52) **U.S. Cl.**  
USPC ..... **D3/318**

(58) **Field of Classification Search**  
USPC ..... D3/304-315, 318, 321, 327, 328;  
D32/37; D34/24  
CPC ..... A45C 3/04; A45C 13/24  
See application file for complete search history.

(56) **References Cited**

**U.S. PATENT DOCUMENTS**

D384,204 S \* 9/1997 Lippisch ..... D3/318  
D384,815 S \* 10/1997 Rehrig ..... D3/318  
D388,918 S \* 1/1998 Douglas ..... D32/37  
D401,065 S \* 11/1998 Peltola ..... D3/304  
D405,268 S \* 2/1999 Apenes ..... D3/309

D421,336 S \* 3/2000 Demore ..... D3/201  
D436,253 S \* 1/2001 Licari ..... D3/304  
D466,301 S \* 12/2002 Sofy ..... D3/307  
D474,603 S \* 5/2003 Berenguer ..... D3/307  
D504,017 S \* 4/2005 Zimmerman ..... D3/309  
D536,874 S \* 2/2007 Splain ..... D3/304  
D546,021 S \* 7/2007 Splain ..... D34/27  
D553,359 S \* 10/2007 Johansen ..... D3/276  
D554,371 S \* 11/2007 Ahman ..... D3/304  
D564,229 S \* 3/2008 Splain ..... D3/304  
D564,758 S \* 3/2008 Drury ..... D3/304  
D575,472 S \* 8/2008 Splain ..... D34/27  
D578,308 S \* 10/2008 Simas ..... D3/304  
D584,020 S \* 12/2008 McNamara ..... D32/37  
D611,709 S \* 3/2010 Ceravolo ..... D3/304  
D622,507 S \* 8/2010 Walter ..... D3/307  
D635,770 S \* 4/2011 Kobilarcik ..... D3/304

(Continued)

*Primary Examiner* — Susan E Krakower

*Assistant Examiner* — L. A. Grabenstetter

(74) *Attorney, Agent, or Firm* — Panasonic IP Management; Kerry S. Culpepper

(57) **CLAIM**

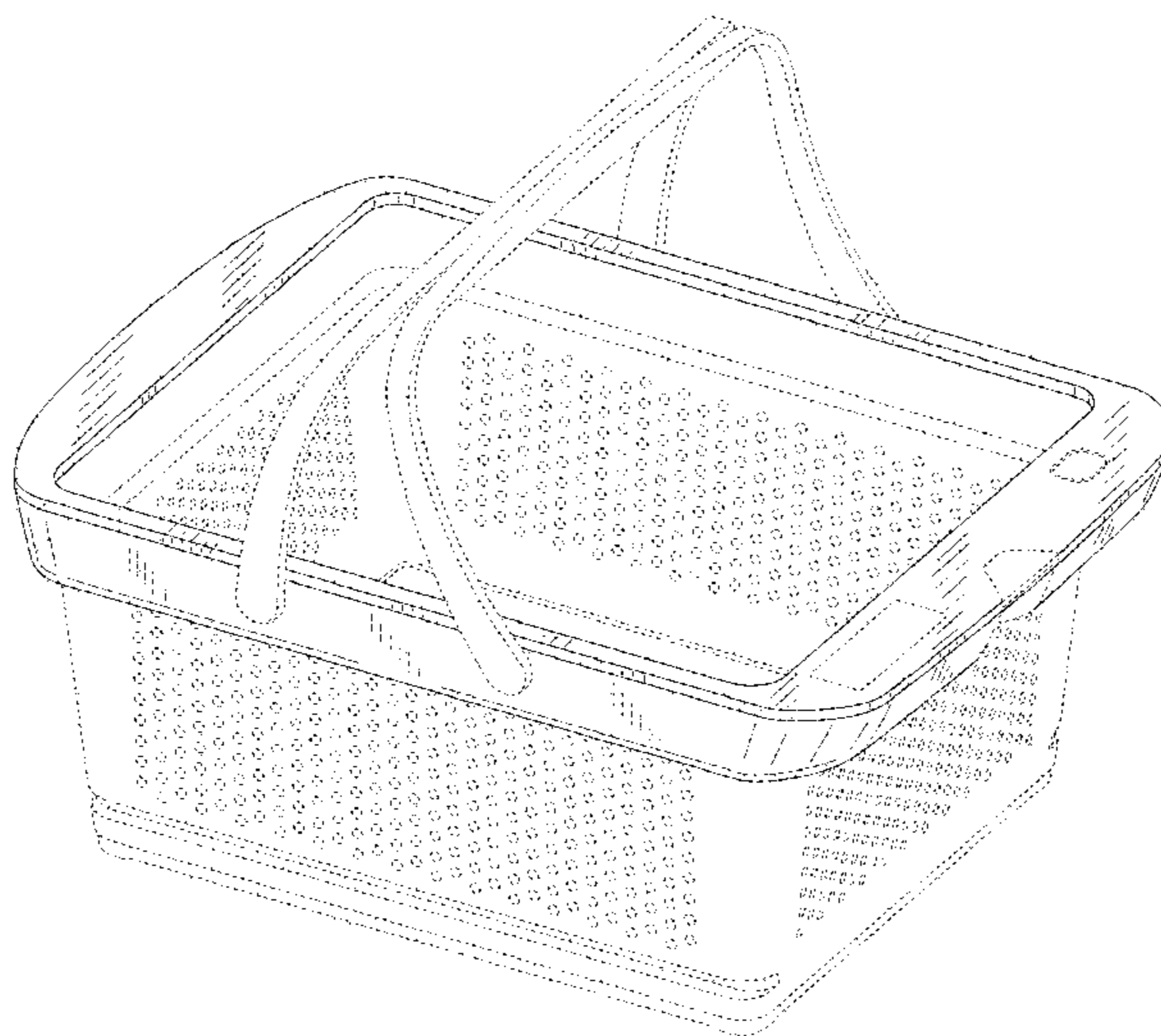
We claim the ornamental design for a rim for a shopping basket with data reader, as shown and described.

**DESCRIPTION**

FIG. 1 is a front perspective view of a rim for a shopping basket with data reader of the present invention; FIG. 2 is a rear perspective view thereof; FIG. 3 is a front view thereof; FIG. 4 is a rear view thereof; FIG. 5 is a first side view thereof; FIG. 6 is a second side view thereof; FIG. 7 is a top view thereof; and, FIG. 8 is a bottom view thereof.

The broken line showing of rim for a shopping basket with data reader is included for the purpose of illustrating environment and forms no part of the claimed design.

**1 Claim, 8 Drawing Sheets**



(56)

**References Cited**

U.S. PATENT DOCUMENTS

D643,585 S *	8/2011	Duvigneau .....	D32/37
D683,962 S *	6/2013	Brunner .....	D3/304
D728,939 S *	5/2015	Suomela .....	D3/304
D738,624 S *	9/2015	Kolste .....	D3/307

\* cited by examiner

FIG. 1

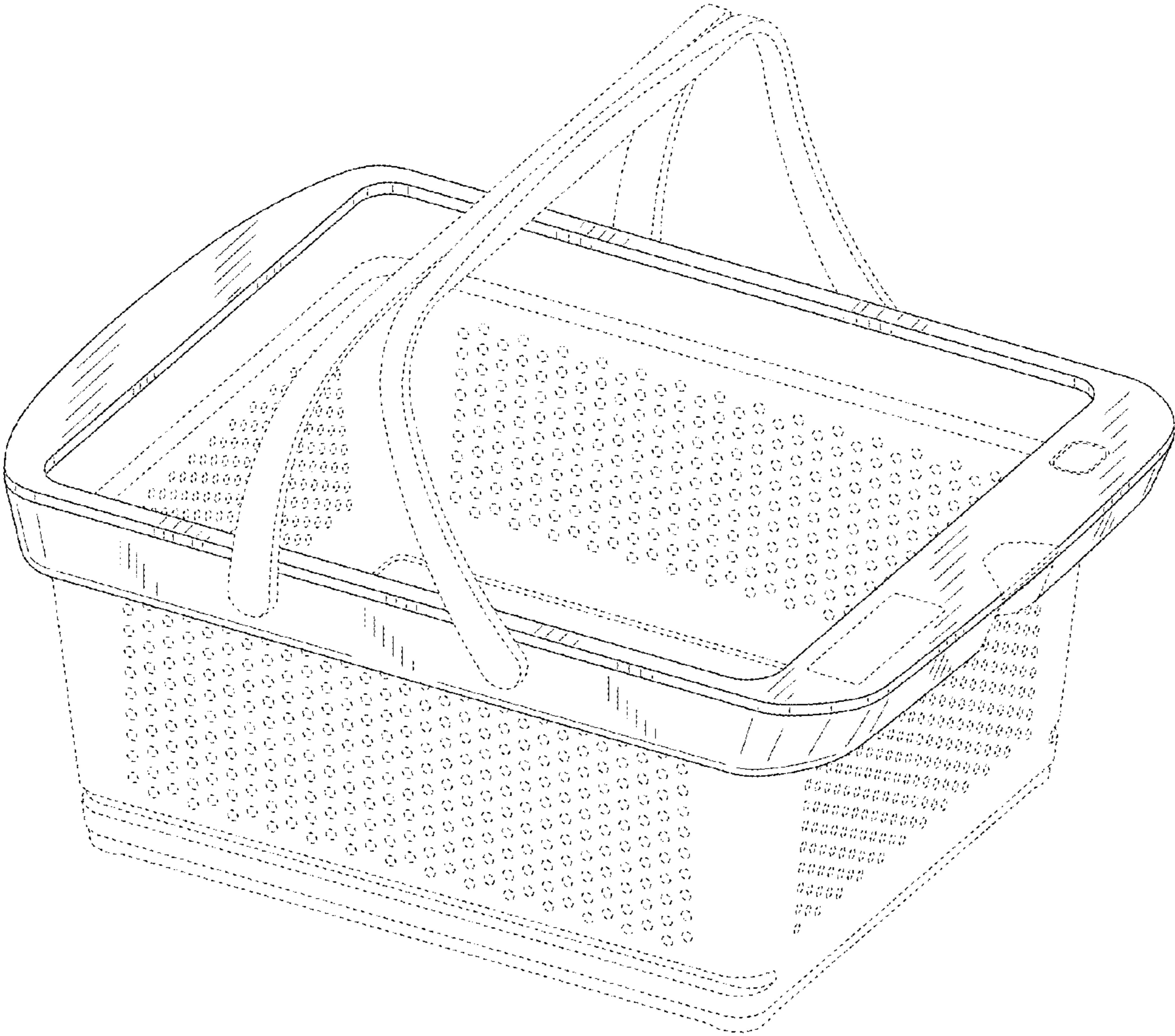


FIG. 2

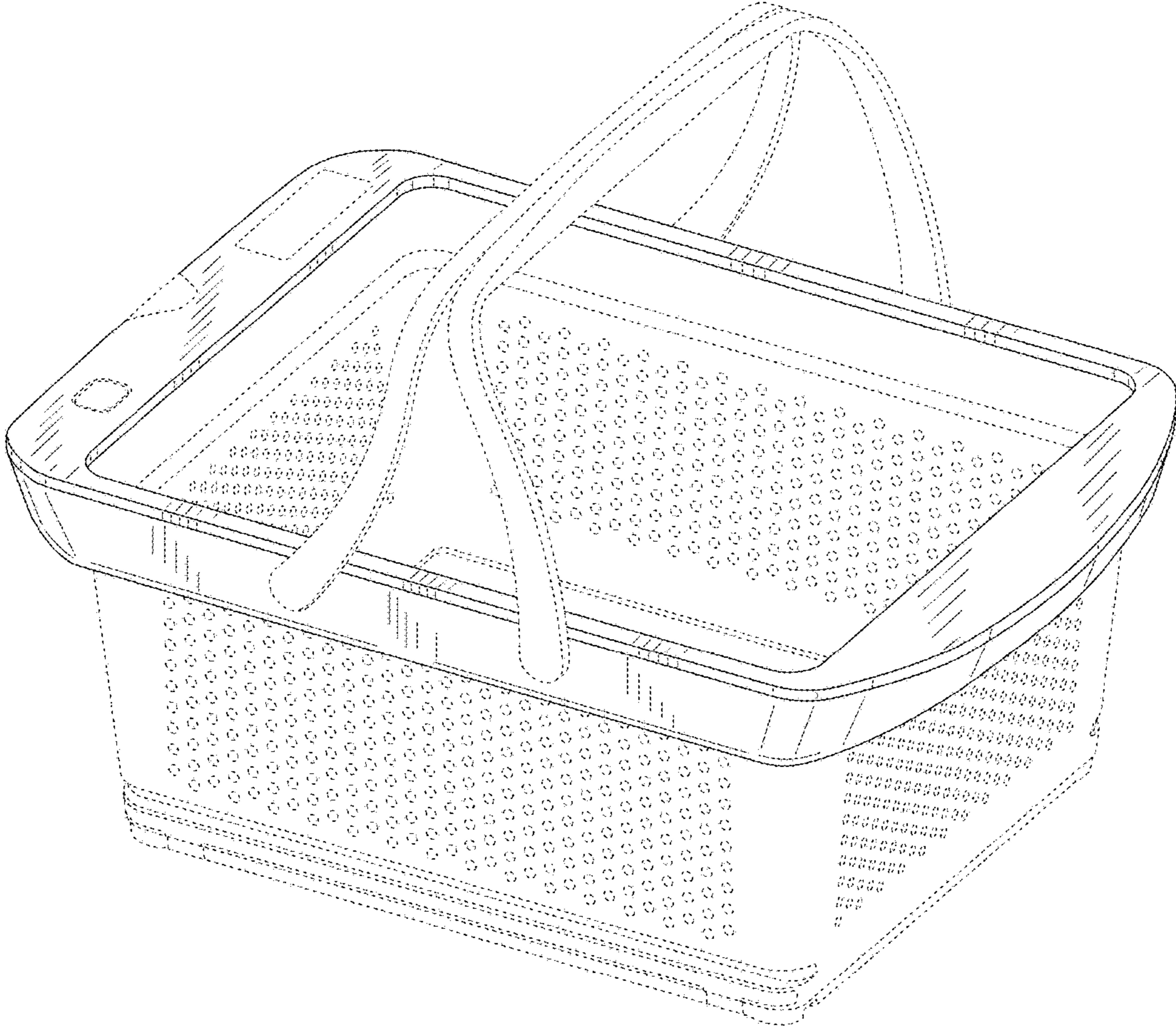


FIG. 3



FIG. 4

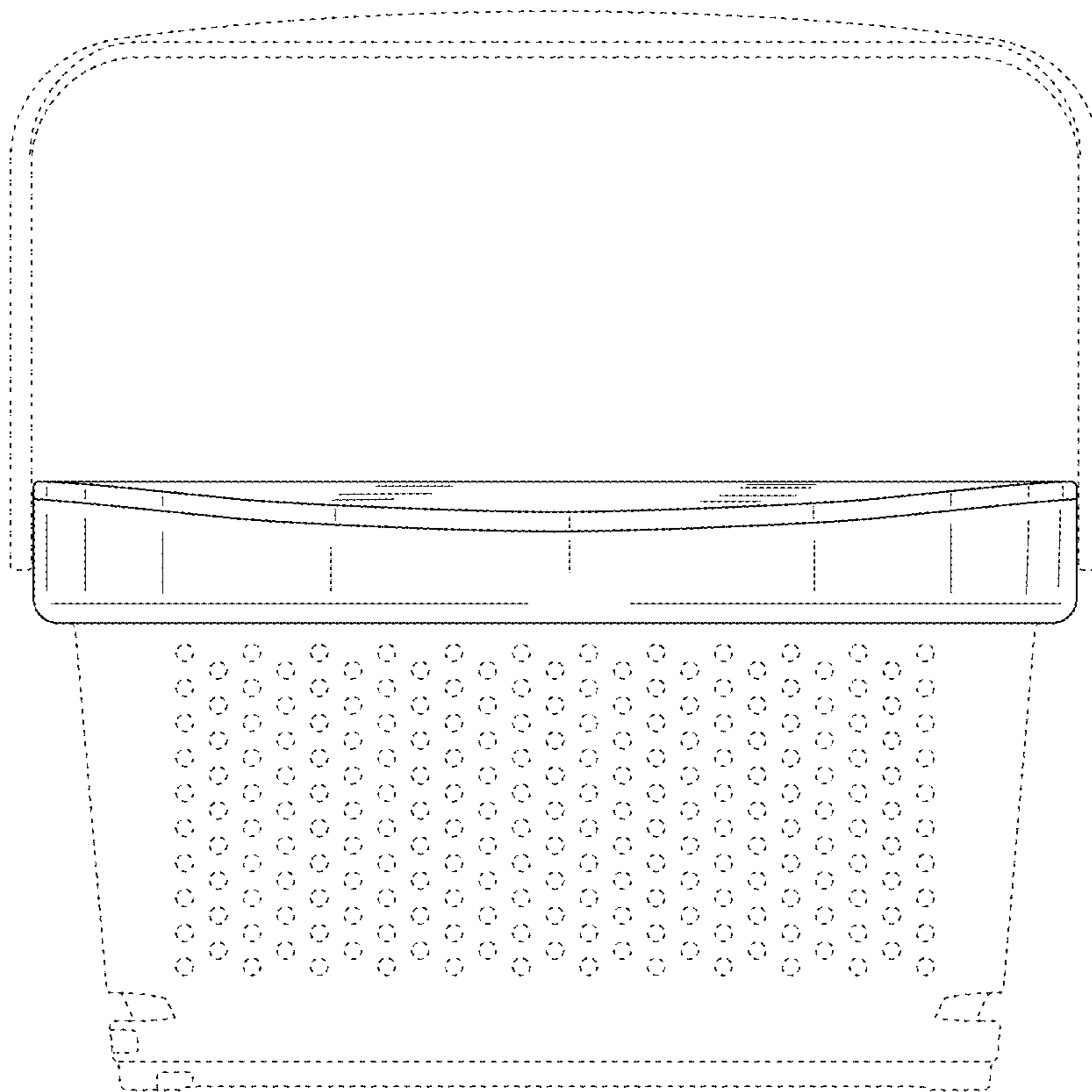


FIG. 5

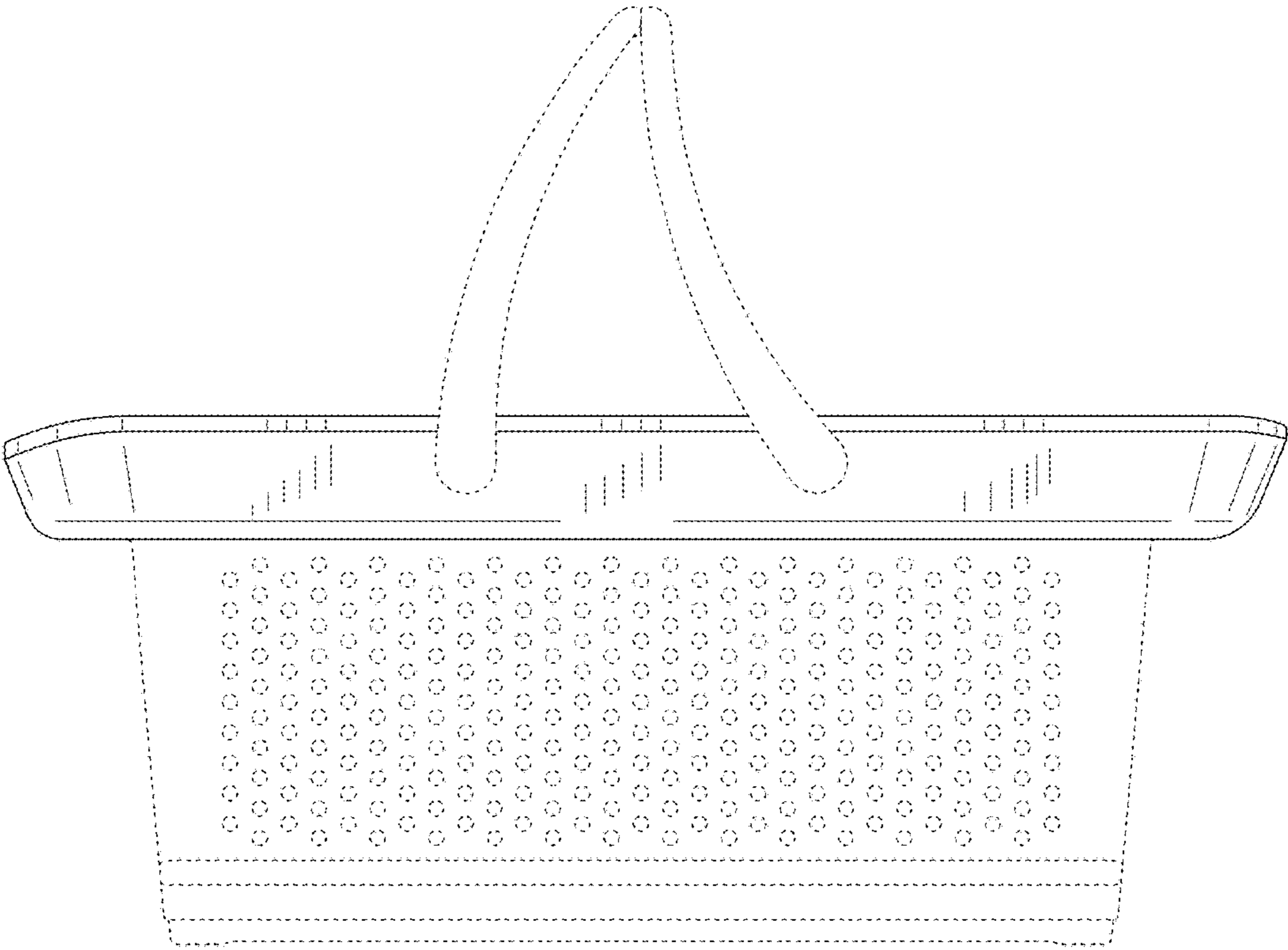


FIG. 6

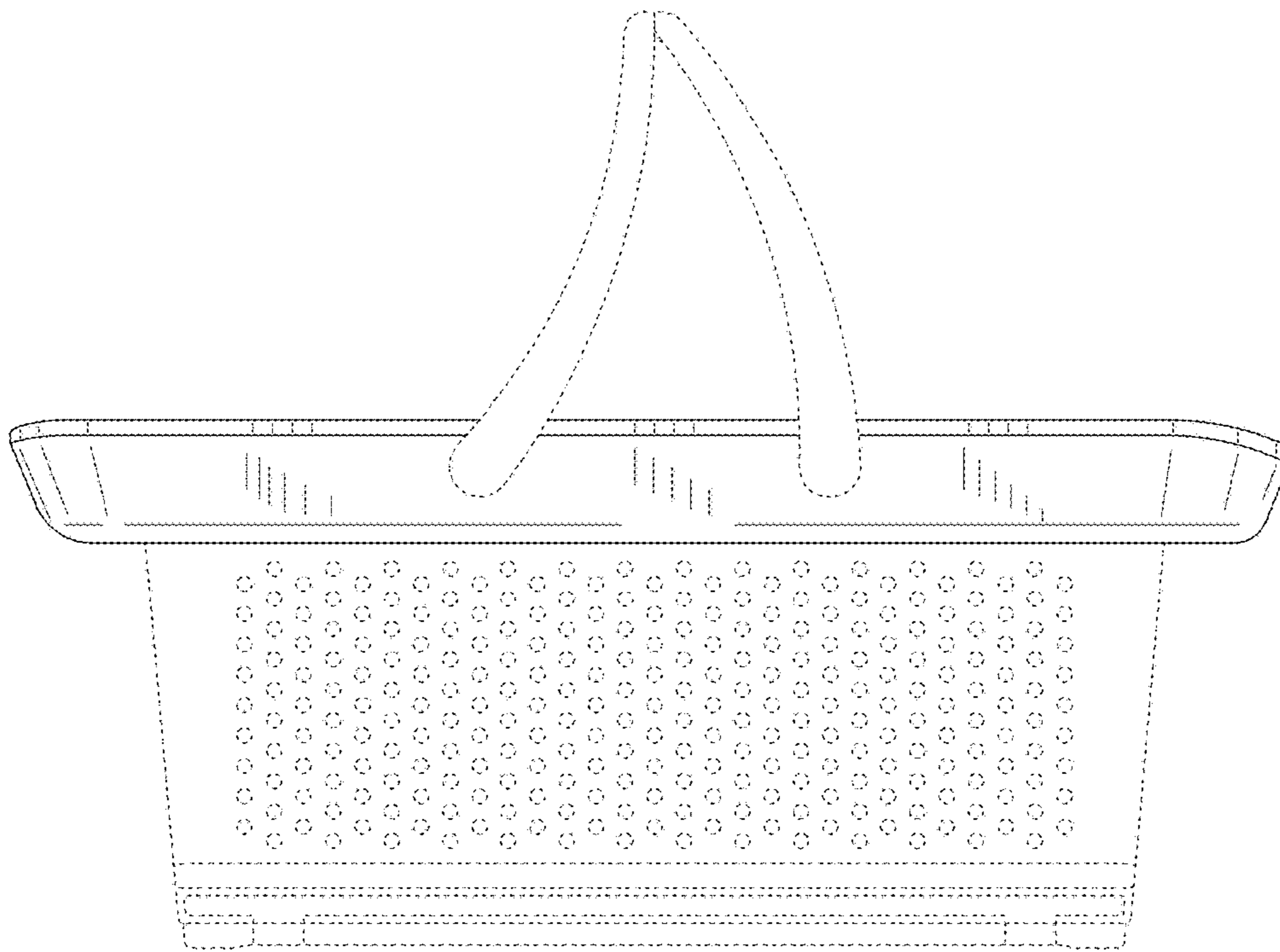




FIG. 7

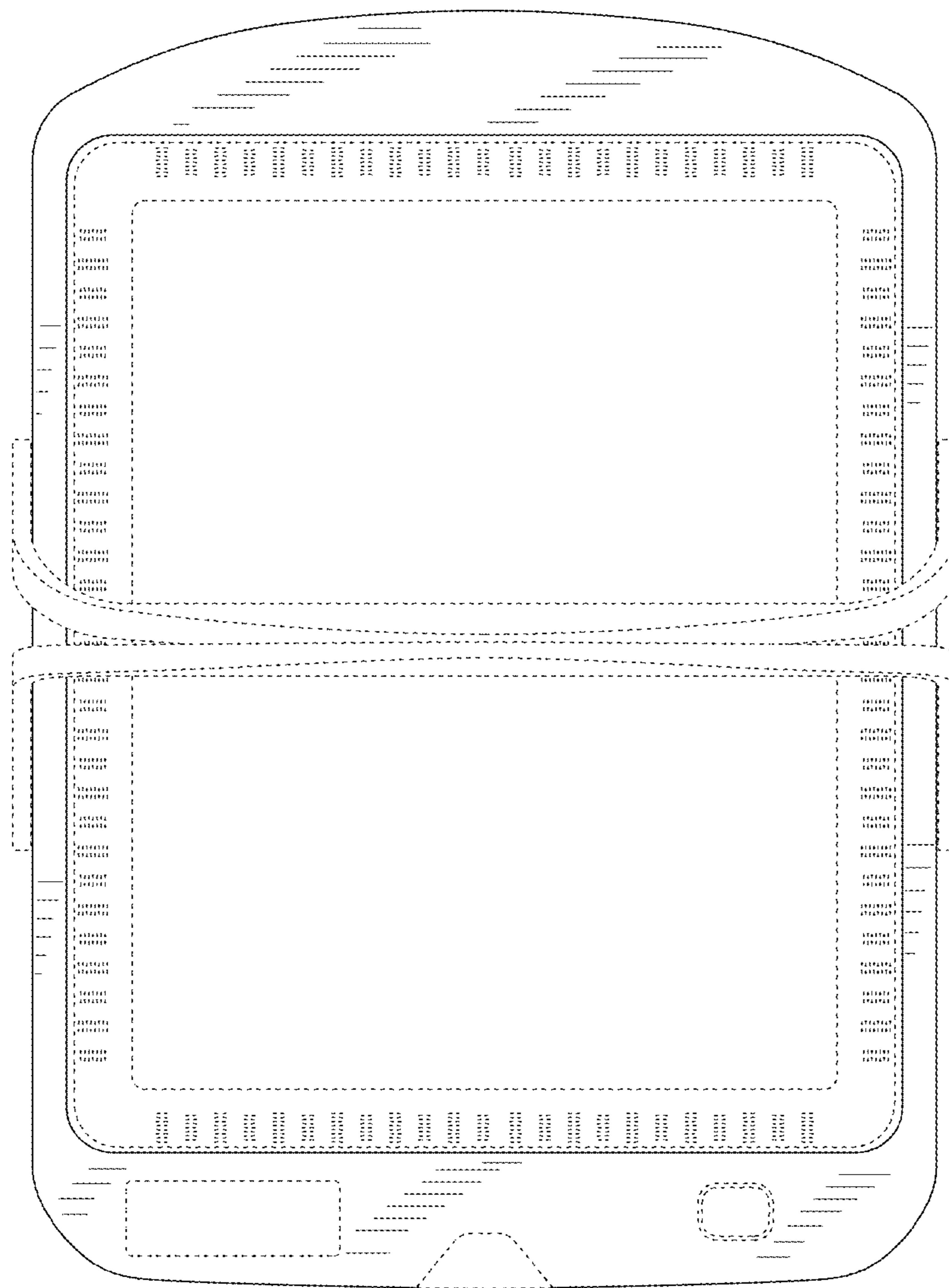


FIG. 8

