



US00D804182S

(12) **United States Design Patent** (10) **Patent No.:** **US D804,182 S**
Walsh et al. (45) **Date of Patent:** **** Dec. 5, 2017**

(54) **STACKABLE CONTAINER**

(71) Applicants: **Commercial Concepts Ltd**, Carlow (IE); **Onboard Logistics Ltd**, Dublin (IE)

(72) Inventors: **Thomas P. Walsh**, County Meath (IE); **Derek Butler**, County Carlow (IE)

(73) Assignee: **Commercial Concepts Ltd**, Dublin (IE)

(**) Term: **15 Years**

(21) Appl. No.: **29/583,839**

(22) Filed: **Nov. 9, 2016**

(51) **LOC (10) Cl.** **03-01**

(52) **U.S. Cl.**
USPC **D3/314**

(58) **Field of Classification Search**
USPC D3/304–305, 307–309, 312, 314, 315;
D6/672–673, 675
CPC B65D 1/22; B65D 19/00; B65D 21/0209;
B65D 21/00; B65D 21/02
See application file for complete search history.

(56) **References Cited**

U.S. PATENT DOCUMENTS

2,885,137 A * 5/1959 Guyer B65D 5/002
206/45.22
D395,548 S * 6/1998 Morissette D3/304

D406,698 S * 3/1999 Miller D3/307
D495,532 S * 9/2004 Meissen D3/307
D526,851 S * 8/2006 Groff D7/552.1
D657,562 S * 4/2012 McNamara D3/304
D692,668 S * 11/2013 Hu D3/306
D732,827 S * 6/2015 Suomela D3/304
D745,430 S * 12/2015 McLennan D11/155
D747,102 S * 1/2016 Kraemer D3/307
D765,978 S * 9/2016 Widner D3/314
D772,575 S * 11/2016 Stelmarski D3/304
D793,775 S * 8/2017 Kelly D6/675
2012/0067907 A1 * 3/2012 Orgeldinger B65D 1/42
220/660
2015/0136719 A1 * 5/2015 Bally A47F 3/14
211/126.1

* cited by examiner

Primary Examiner — Kelley Donnelly

(74) *Attorney, Agent, or Firm* — Christopher & Weisberg, P.A.

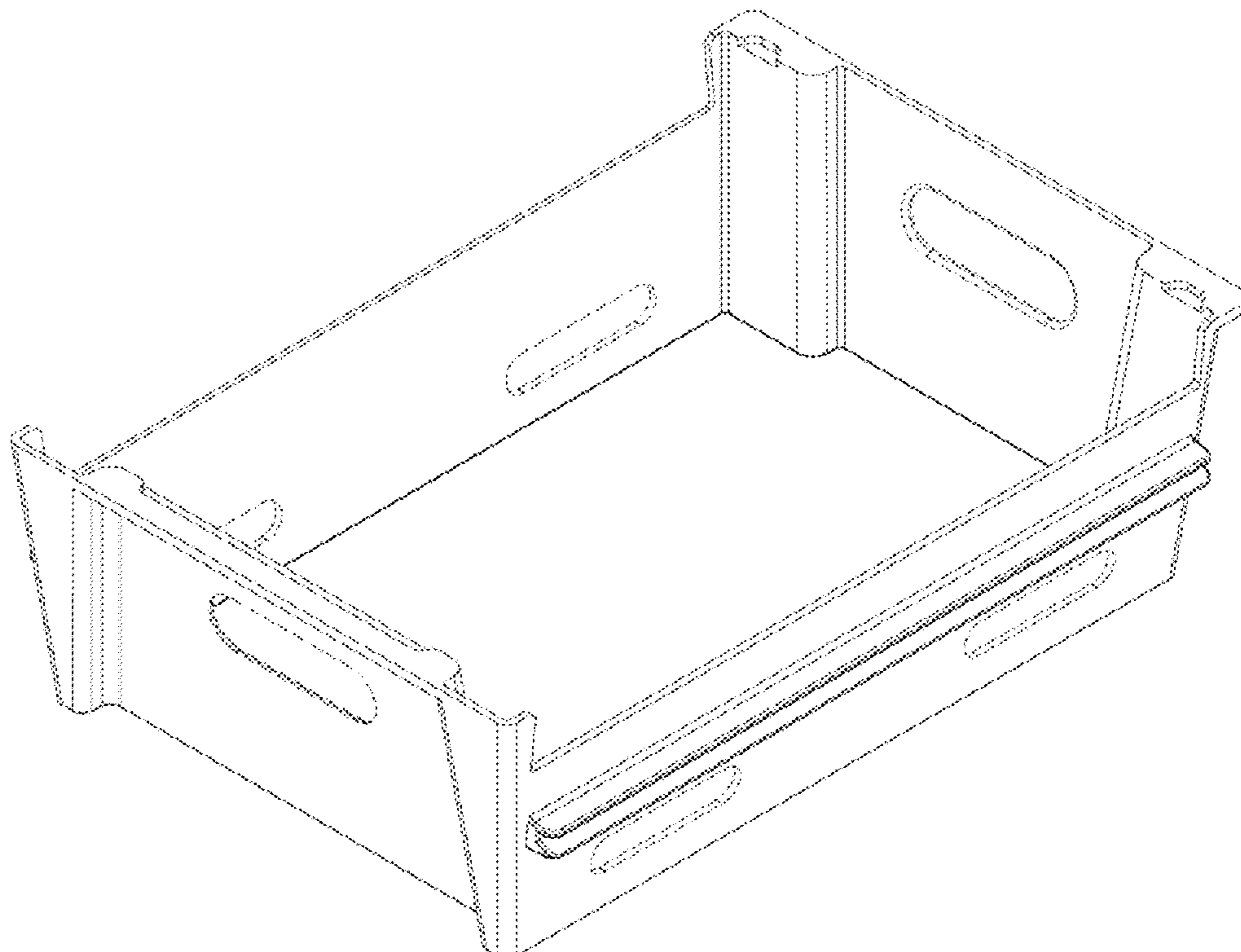
(57) **CLAIM**

The ornamental design for a stackable container, as shown.

DESCRIPTION

FIG. 1 is a top view of a stackable container;
FIG. 2 is a bottom view thereof;
FIG. 3 is an end view thereof;
FIG. 4 is a lower perspective view thereof;
FIG. 5 is a side view thereof; and,
FIG. 6 is an upper perspective view thereof.
The broken lines depict environmental subject matter only and form no part of the claimed design.

1 Claim, 6 Drawing Sheets



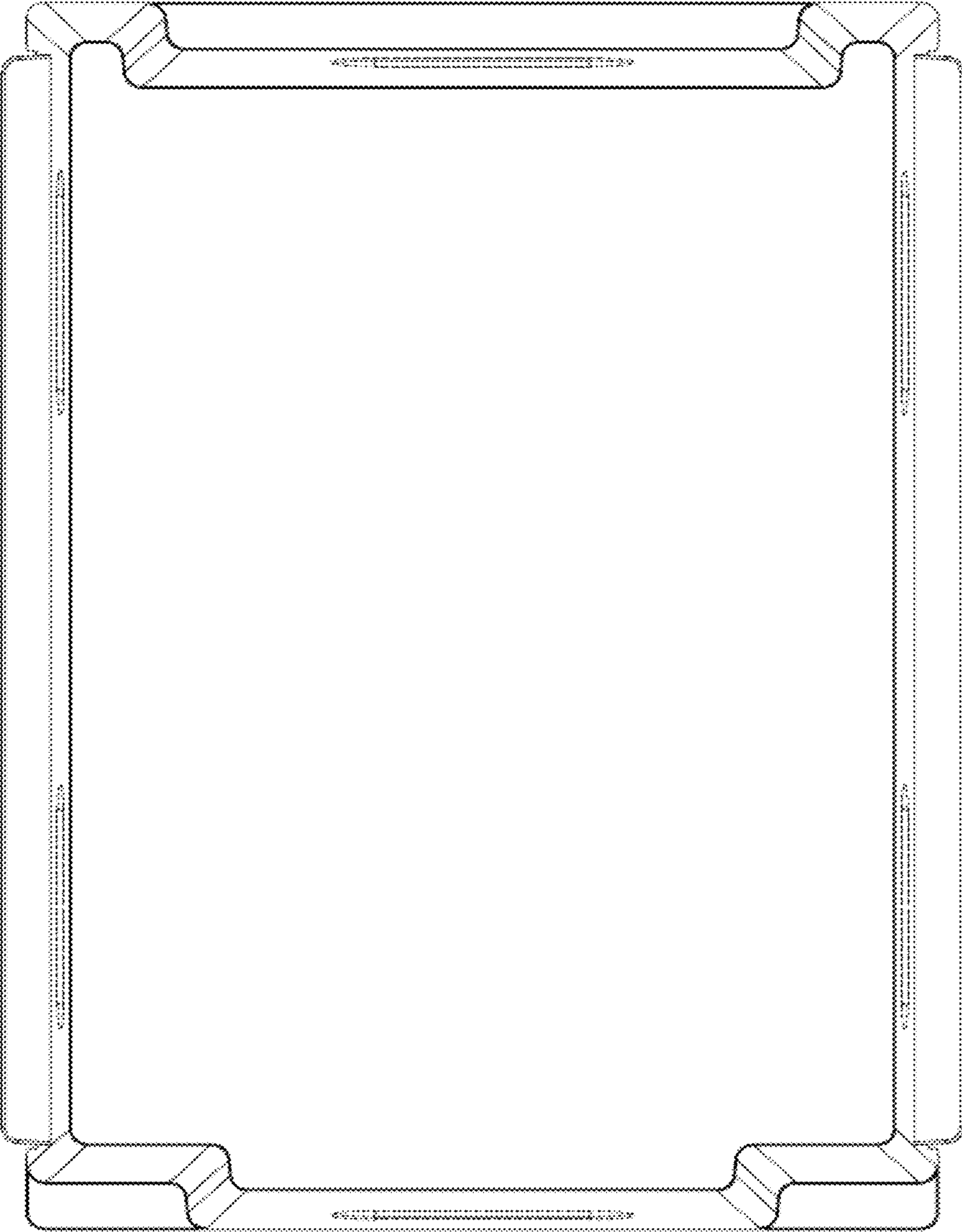


FIG. 1

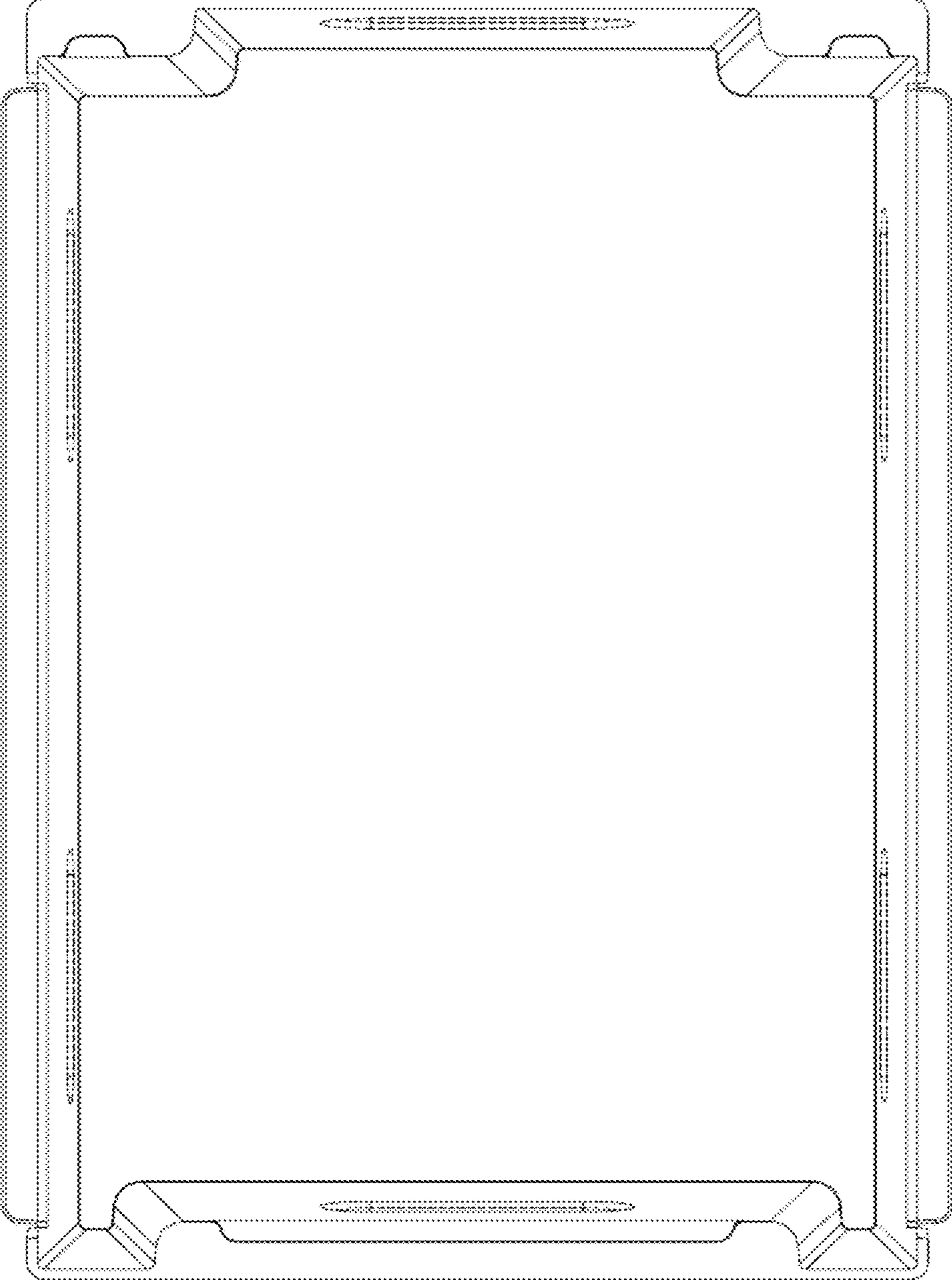


FIG. 2

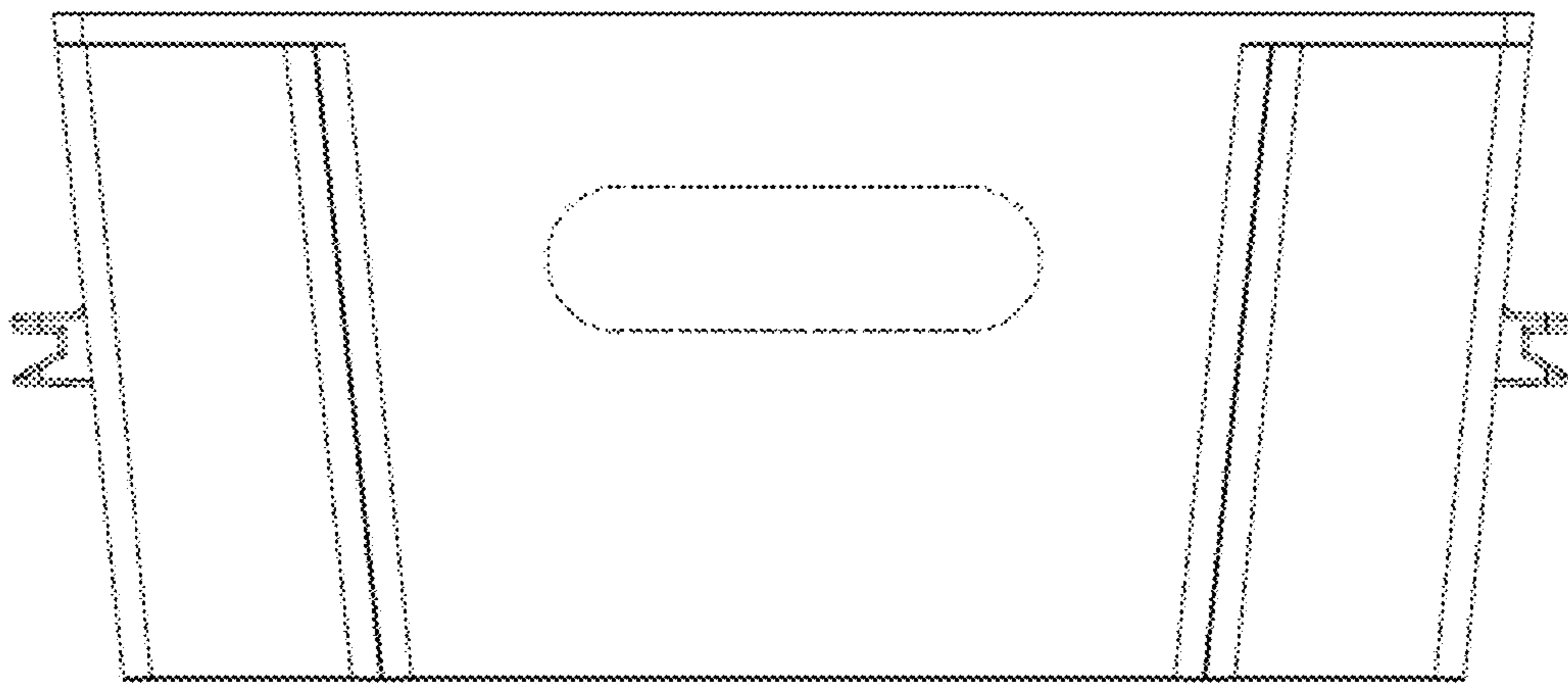


FIG. 3

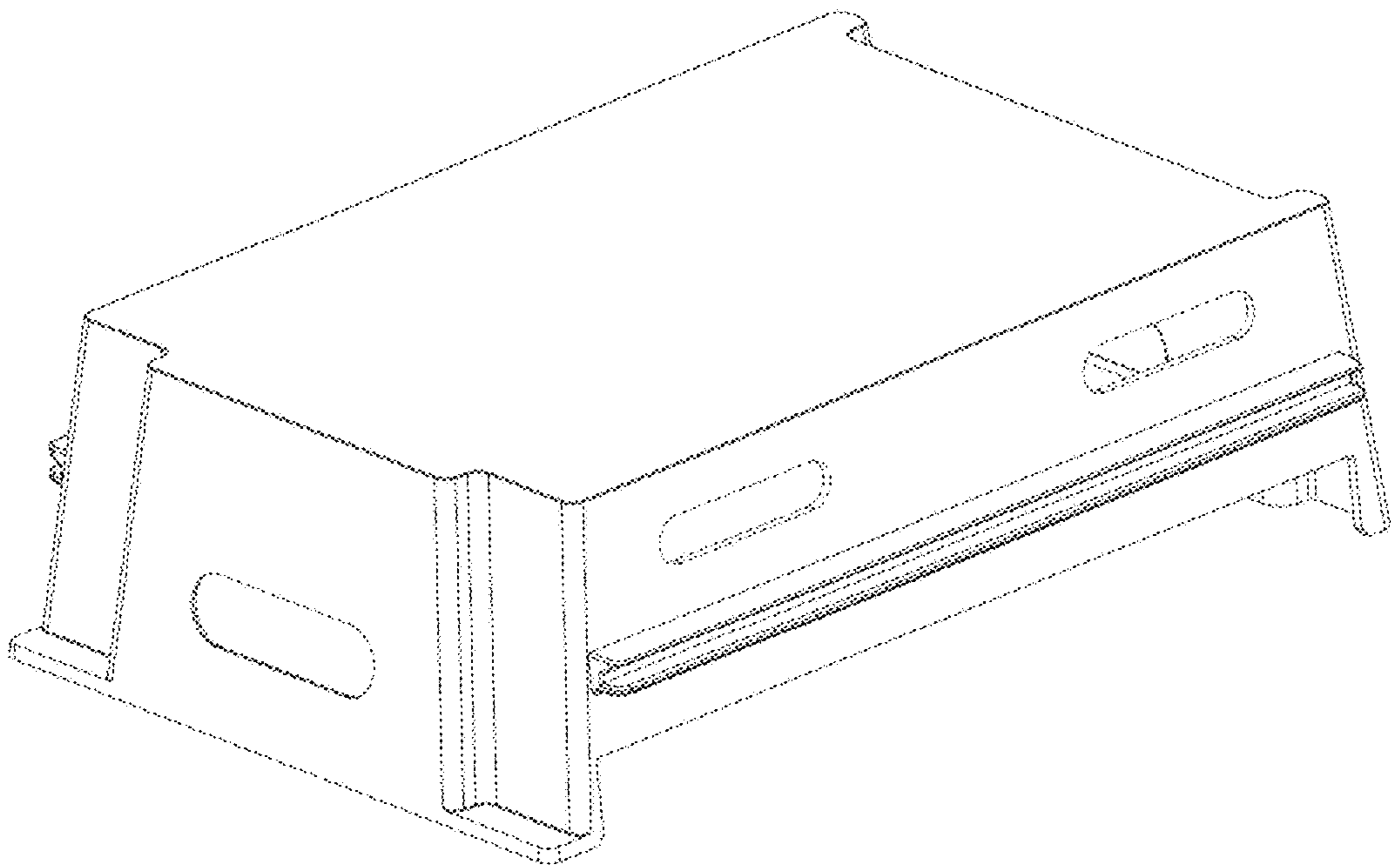


FIG. 4

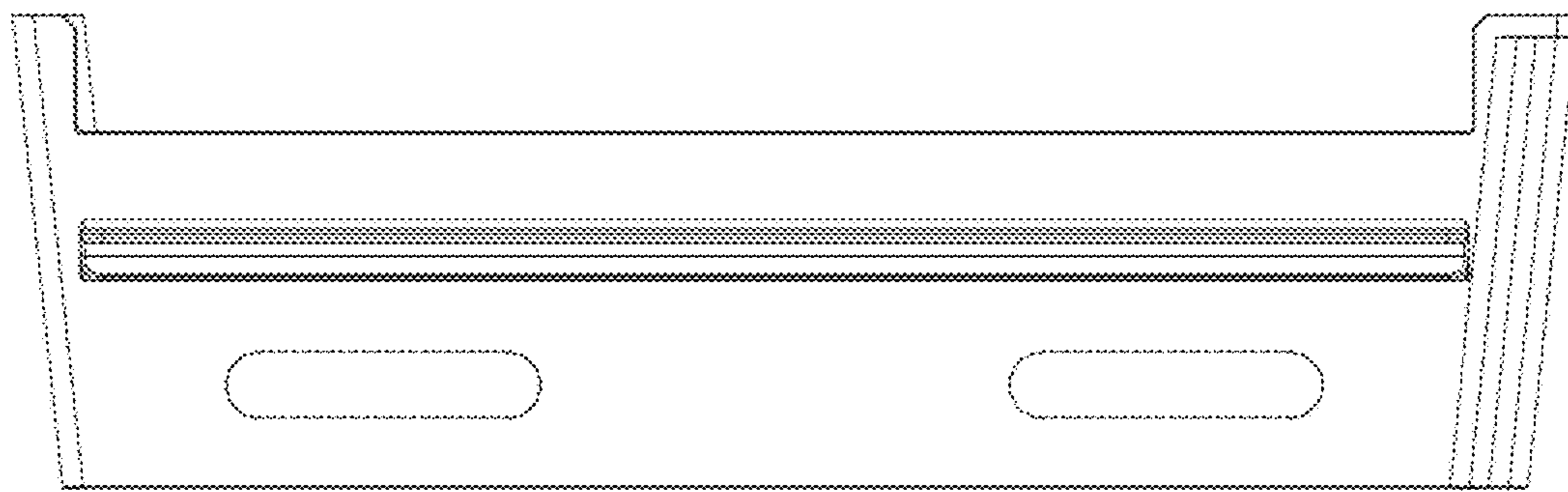


FIG. 5

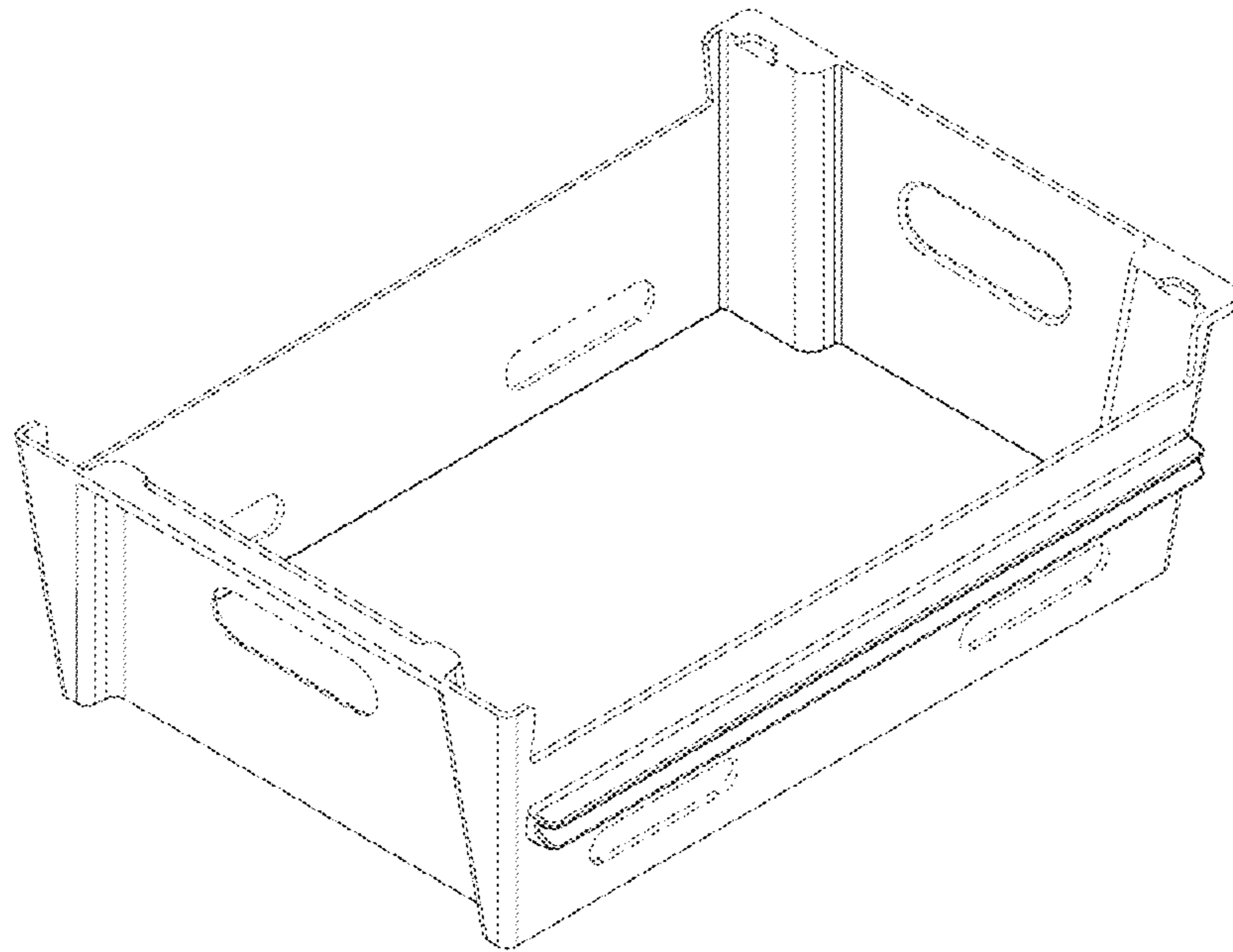


FIG. 6