



US00D804180S

(12) **United States Design Patent**
Huang

(10) **Patent No.:** **US D804,180 S**

(45) **Date of Patent:** **** Dec. 5, 2017**

(54) **TOOL POUCH**

(71) Applicant: **CASTIP INDUSTRIAL CO., LTD.**,
New Taipei (TW)

(72) Inventor: **Heng-Fong Huang**, New Taipei (TW)

(73) Assignee: **CASTIP INDUSTRIAL CO., LTD.**,
New Taipei (TW)

(**) Term: **15 Years**

(21) Appl. No.: **29/553,737**

(22) Filed: **Feb. 4, 2016**

(51) **LOC (10) Cl.** **03-01**

(52) **U.S. Cl.**
USPC **D3/303**

(58) **Field of Classification Search**
USPC D3/228, 224, 215, 221, 226, 247, 269,
D3/299, 273, 276, 289, 293, 290, 301,
D3/303, 318, 319; D9/702, 703, 705,
D9/707, 709, 710, 433, 901
CPC A47C 7/62; A47C 1/14; G09F 3/08; G09F
3/18; A45C 13/00; A45C 13/26; A45C
5/00

See application file for complete search history.

(56) **References Cited**

U.S. PATENT DOCUMENTS

D375,197 S * 11/1996 Laherty D3/218
D407,970 S * 4/1999 Planchard D9/703
D418,291 S * 1/2000 Dancyger D3/228
D438,701 S * 3/2001 Dancyger D3/228

D531,401 S * 11/2006 Thurner D3/228
D591,509 S * 5/2009 Lown D3/303
D609,010 S * 2/2010 Hofer D3/303
D610,809 S * 3/2010 Lown D3/303
D668,042 S * 10/2012 Nannestad D3/232
D675,440 S * 2/2013 Mathews D3/303
D685,648 S * 7/2013 Berman D9/710
D778,606 S * 2/2017 Heyman D3/245
D784,824 S * 4/2017 Ross D9/705

* cited by examiner

Primary Examiner — Sandra Snap

Assistant Examiner — Holly E Thurman

(74) *Attorney, Agent, or Firm* — Lin & Associates
Intellectual Property, Inc.

(57) **CLAIM**

The ornamental design for a tool pouch, as shown and described.

DESCRIPTION

FIG. 1 is a perspective view of a tool pouch showing my new design;

FIG. 2 is a front elevational view thereof;

FIG. 3 is a rear elevational view thereof;

FIG. 4 is a left elevational view thereof;

FIG. 5 is a right elevational view thereof;

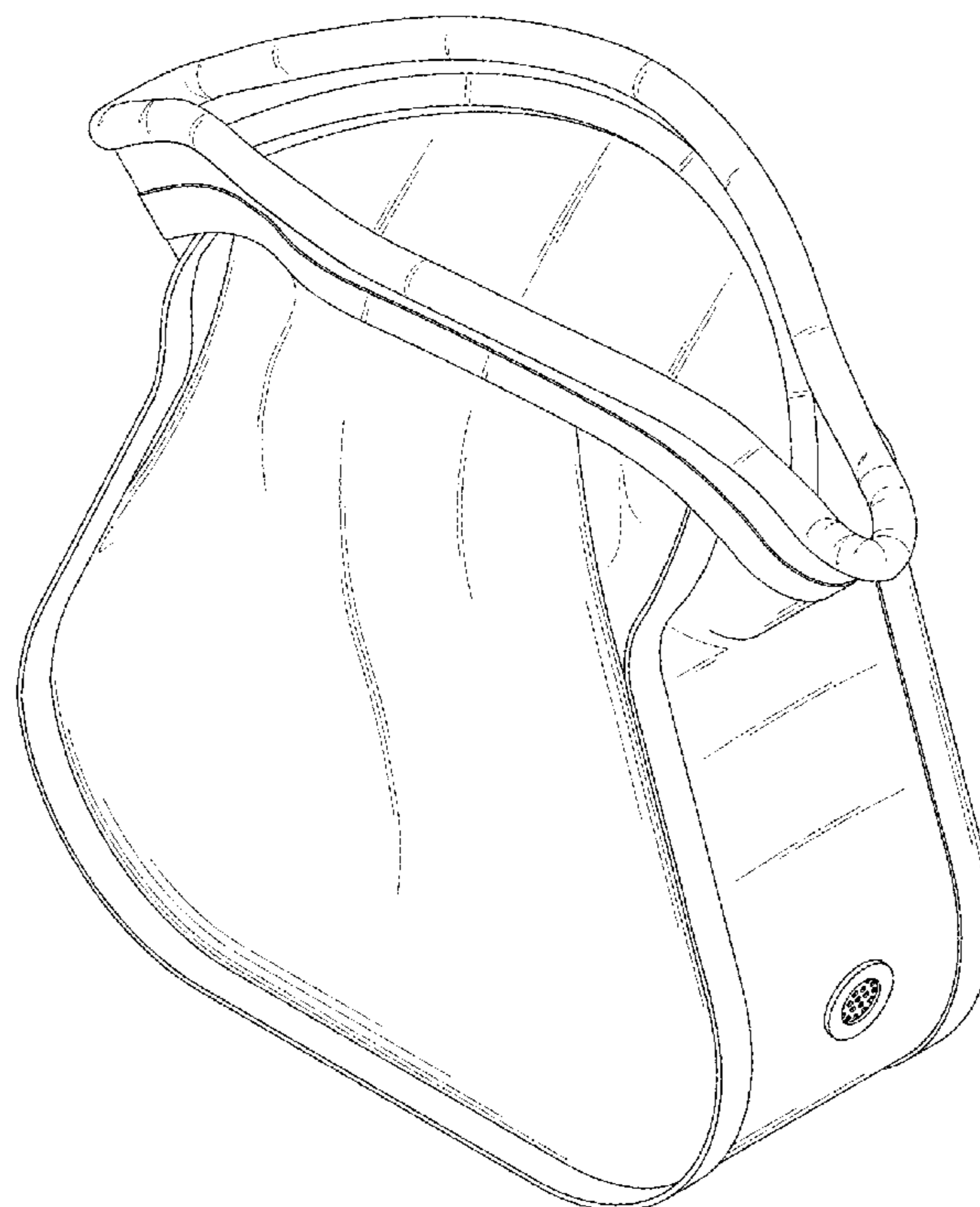
FIG. 6 is a top view thereof;

FIG. 7 is a bottom view thereof; and,

FIG. 8 is a perspective view from another direction of the tool pouch.

The broken line portion of the figure drawings is included to show unclaimed subject matter only and forms no part of the claimed design.

1 Claim, 8 Drawing Sheets



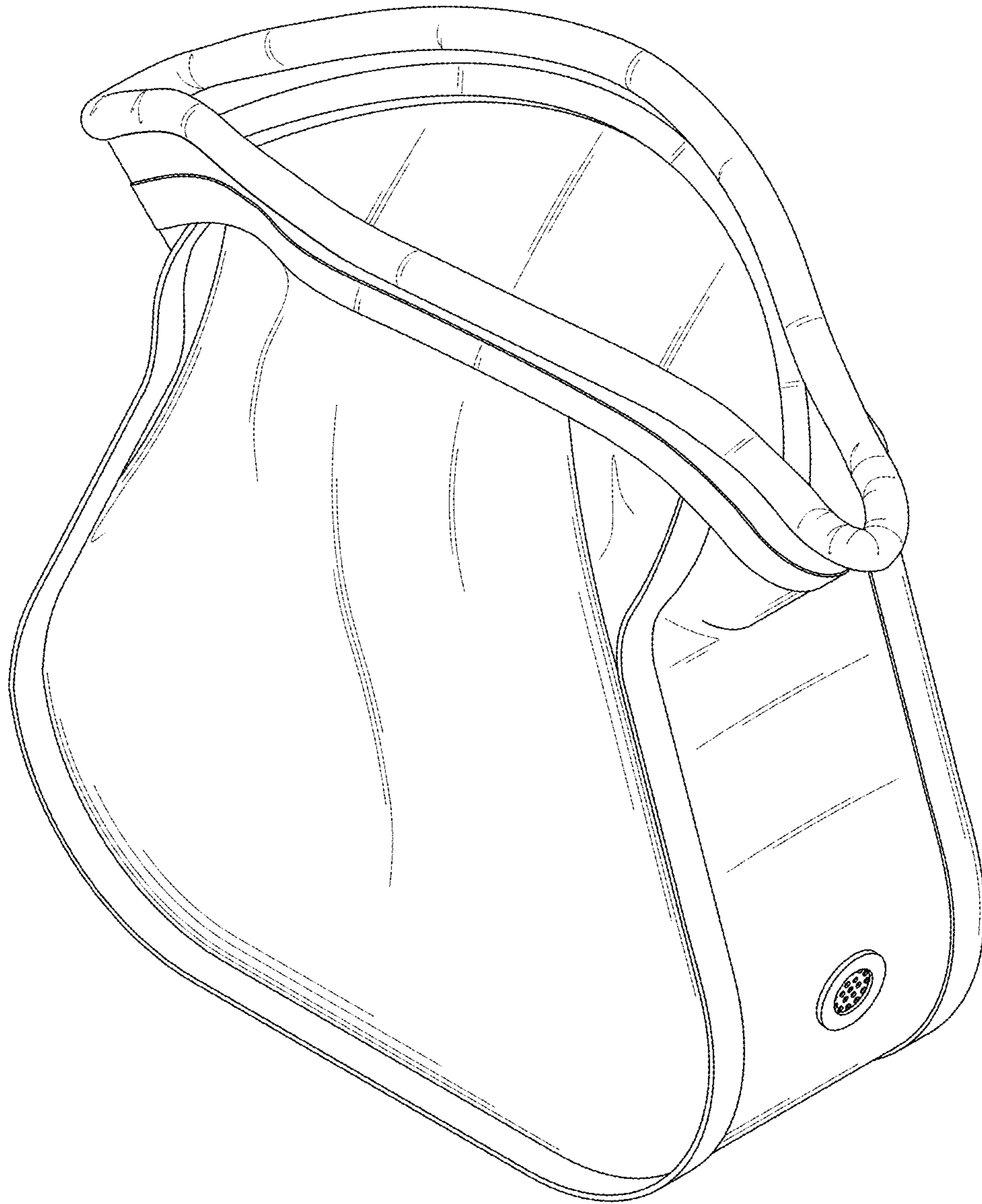


FIG. 1

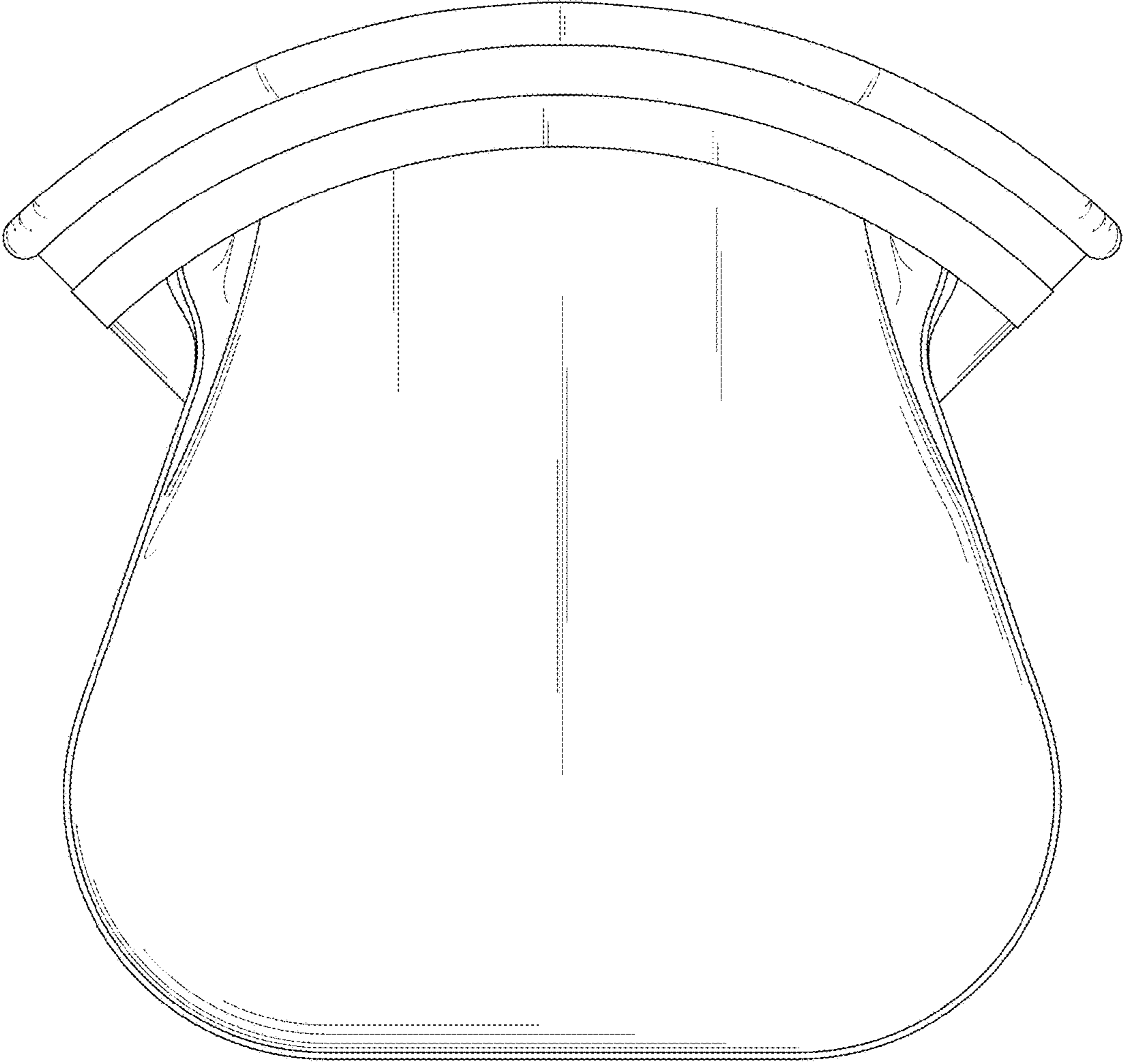


FIG. 2

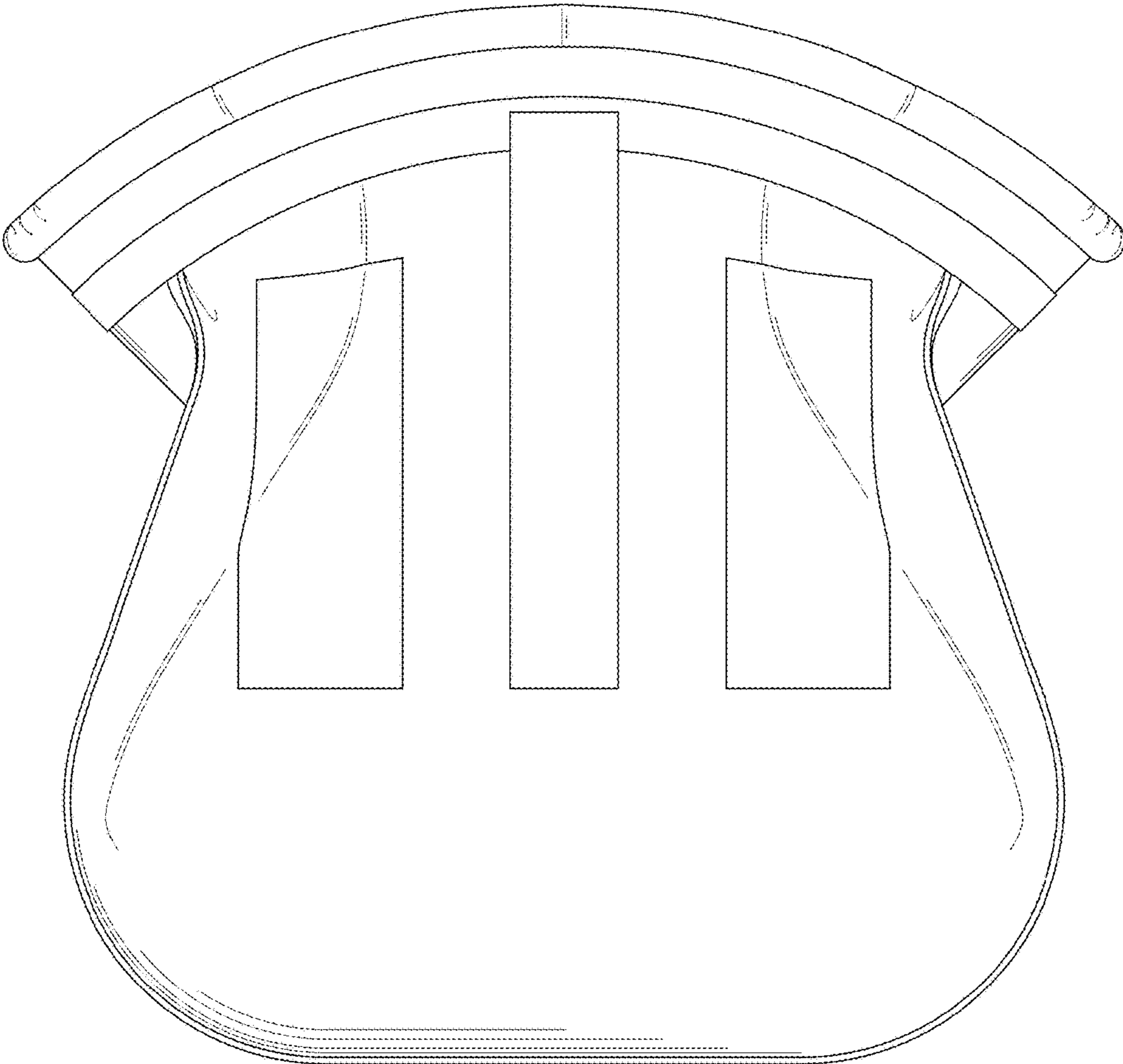


FIG. 3

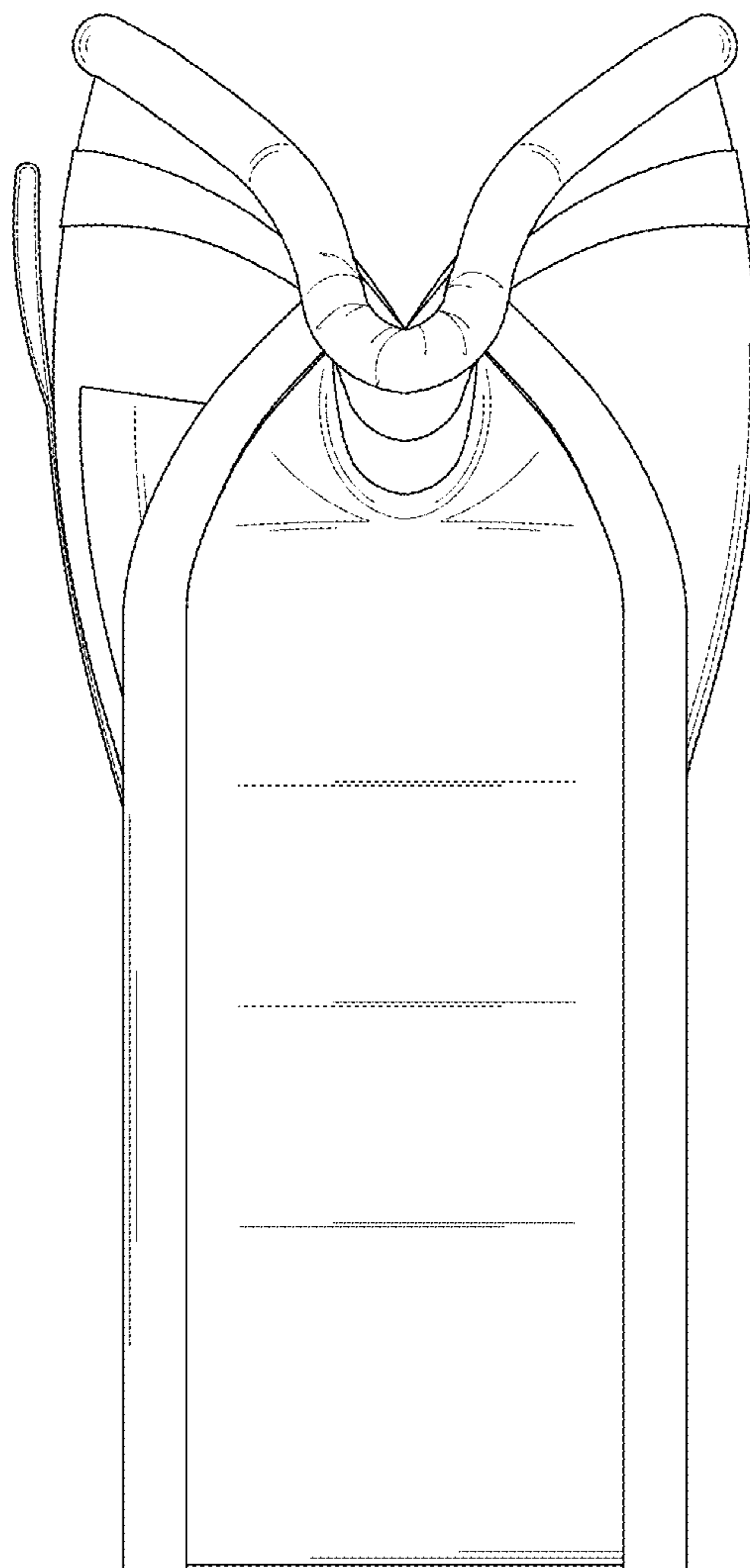


FIG. 4

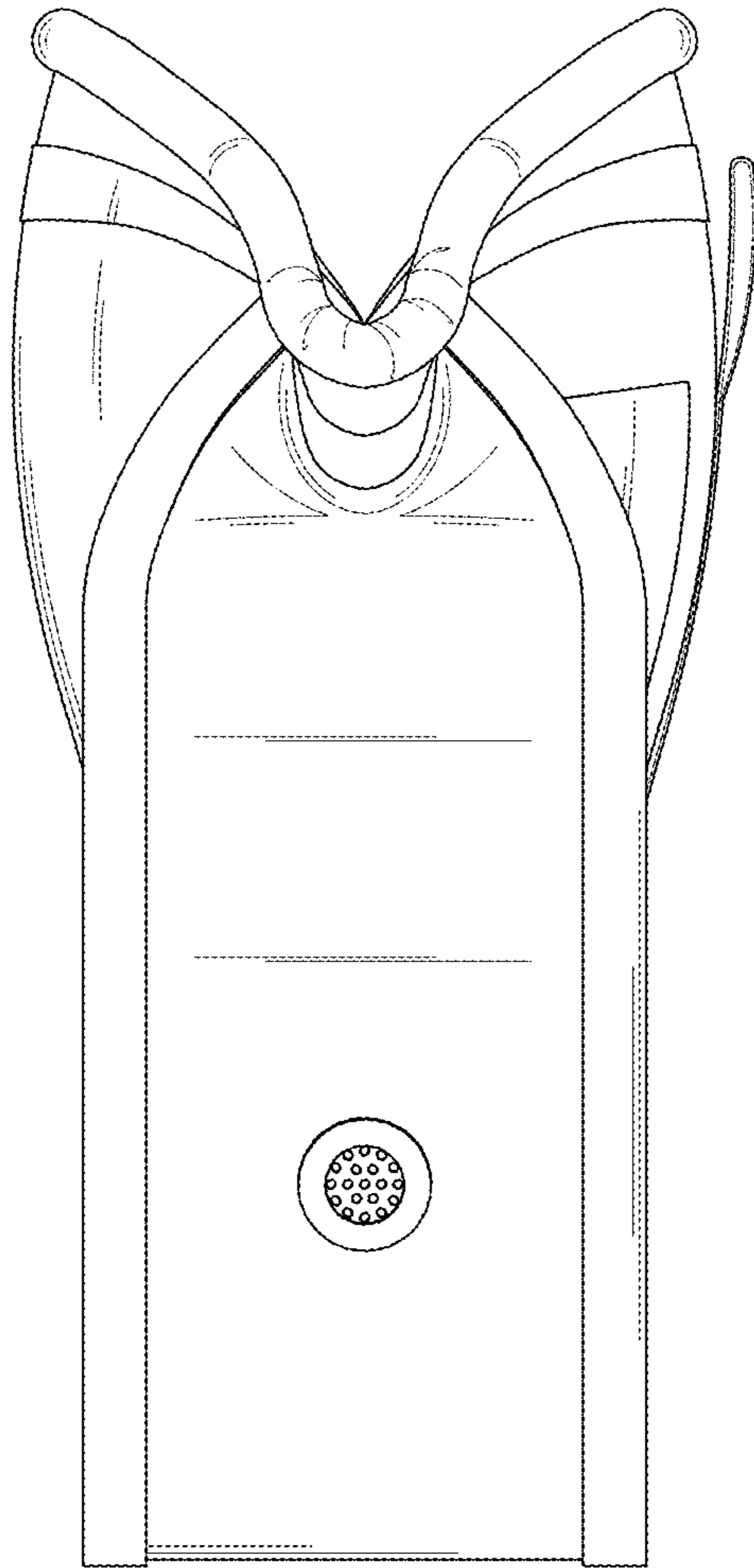


FIG. 5

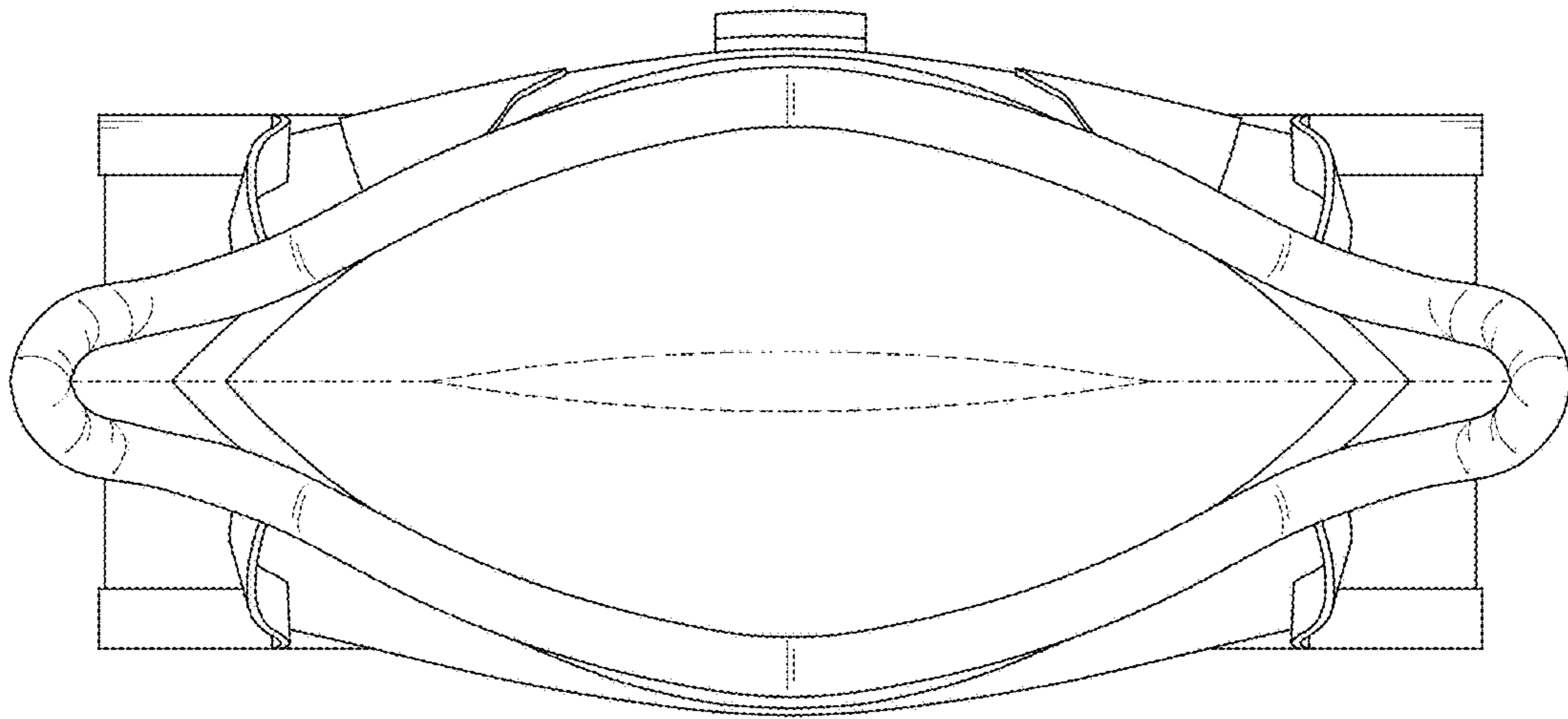


FIG. 6

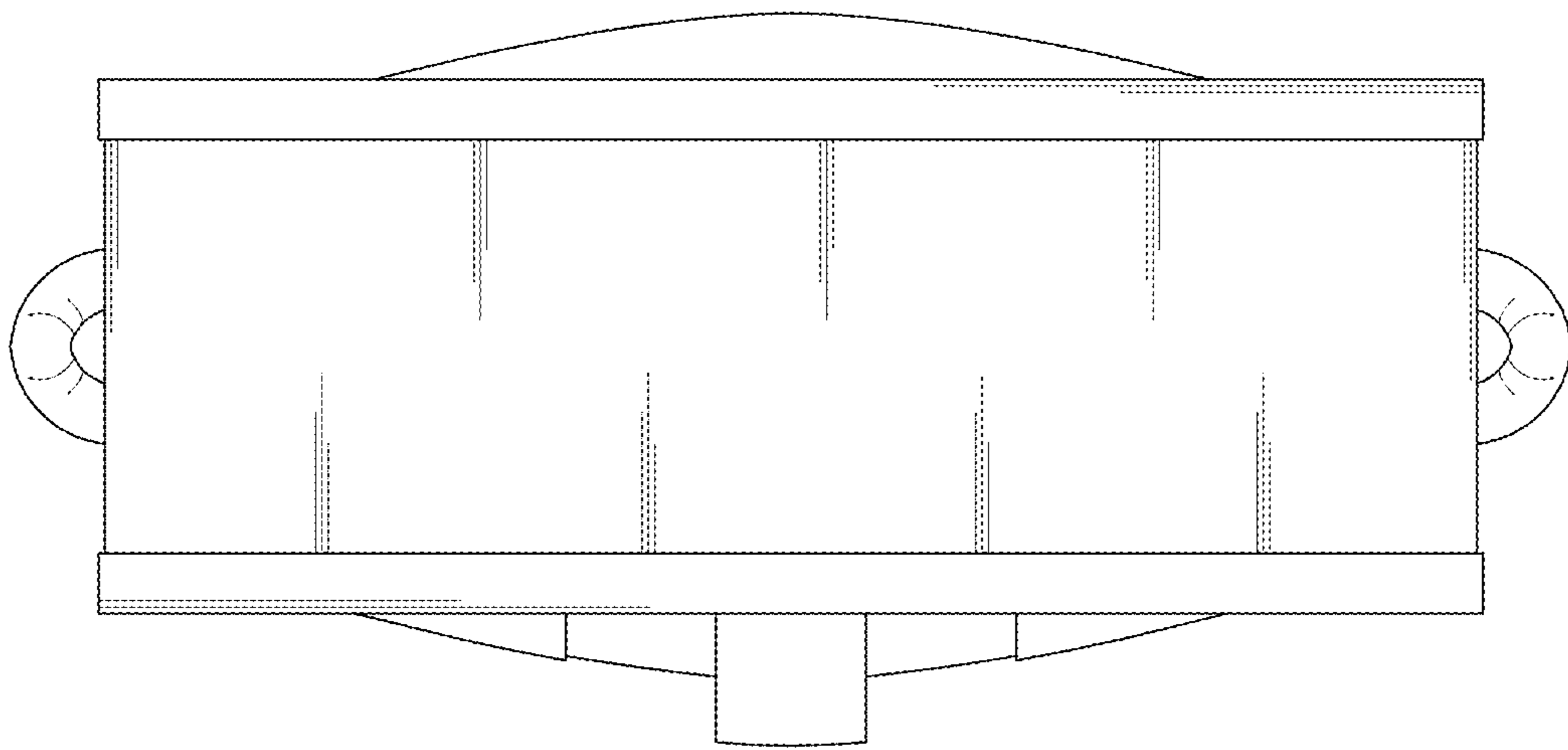


FIG. 7

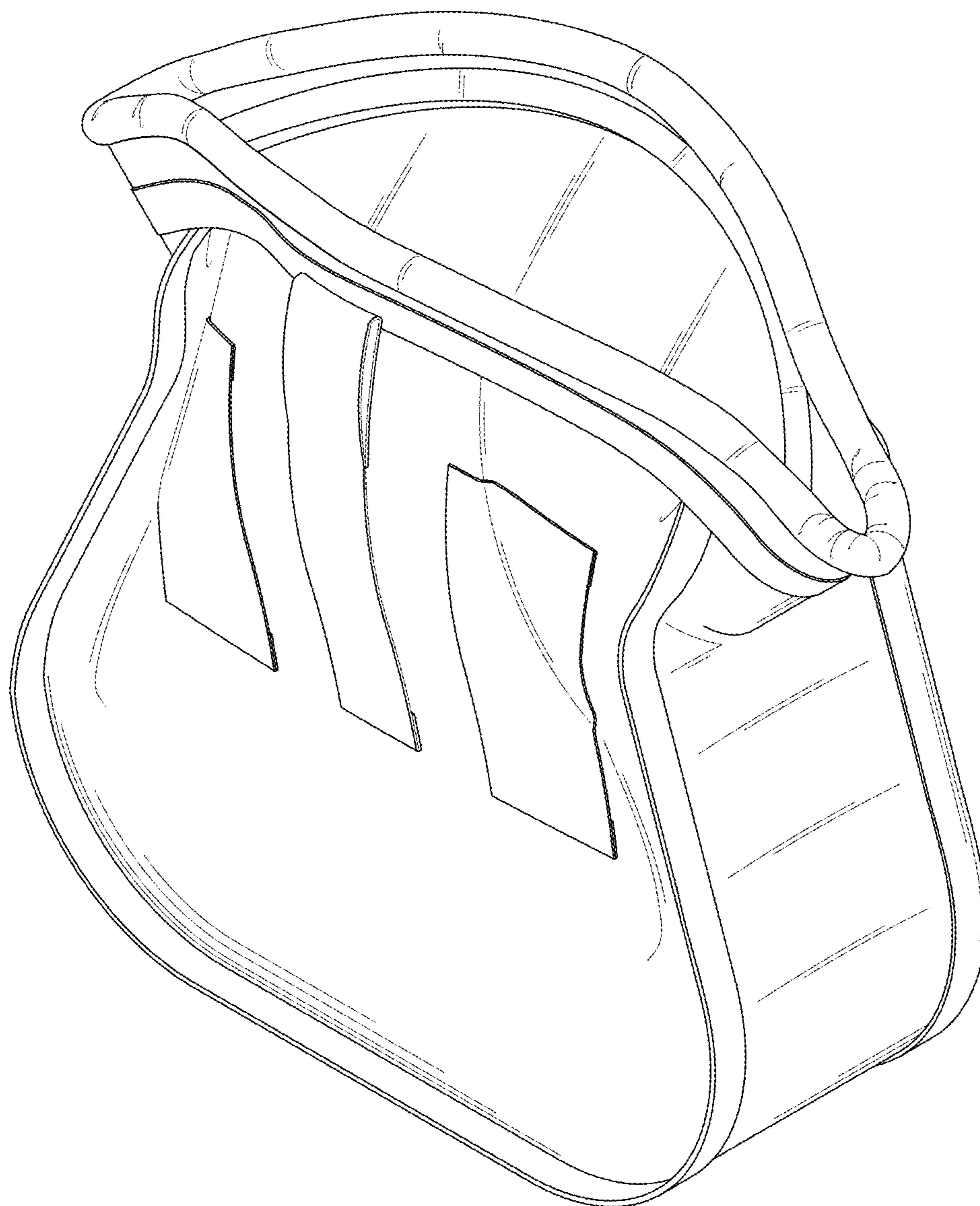


FIG. 8