



US00D804179S

(12) **United States Design Patent**  
**Kolstad et al.**

(10) **Patent No.:** **US D804,179 S**

(45) **Date of Patent:** **\*\* Dec. 5, 2017**

(54) **REMOVABLE POCKET WITH CLOSURE**

(71) Applicant: **McKol, LLC**, Nashville, TN (US)

(72) Inventors: **Kara G. Kolstad**, Nashville, TN (US);  
**Lynley S. McCarley**, Nashville, TN (US);  
**Kristen F. Johns**, Nashville, TN (US)

(\*\*) Term: **15 Years**

(21) Appl. No.: **29/536,487**

(22) Filed: **Aug. 17, 2015**

(51) **LOC (10) Cl.** ..... **03-01**

(52) **U.S. Cl.**  
USPC ..... **D3/303**

(58) **Field of Classification Search**  
USPC ..... D3/247, 269, 299, 273, 276, 289, 293,  
D3/290, 301, 303, 318, 319; D9/702,  
D9/703, 705, 707, 709, 710, 433, 901;  
D14/250; D19/3  
CPC ..... A47C 7/62; A47C 1/14  
See application file for complete search history.

(56) **References Cited**

**U.S. PATENT DOCUMENTS**

D256,187 S *	8/1980	Miles	.....	D3/247
D344,407 S *	2/1994	Derrickson	.....	D3/245
D483,181 S *	12/2003	Evans	.....	D3/318
D522,750 S *	6/2006	Girod	.....	D3/303
D533,348 S *	12/2006	Andre	.....	D3/303
D572,006 S *	7/2008	Preston	.....	D3/303
D609,010 S *	2/2010	Hofer	.....	D3/303

D620,259 S *	7/2010	Fahrendorff	.....	D3/303
D651,800 S *	1/2012	Scott	.....	D3/303
D666,416 S *	9/2012	Haywood	.....	D3/299
D679,499 S *	4/2013	Harris	.....	D3/303
D685,579 S *	7/2013	Phillips	.....	D3/303
D722,691 S *	2/2015	Miller	.....	D24/143

\* cited by examiner

*Primary Examiner* — Sandra Snapp

*Assistant Examiner* — Holly E Thurman

(74) *Attorney, Agent, or Firm* — Waller Lansden Dortch  
& Davis LLP; Kristen F. Johns; Eric B. Fugett

(57) **CLAIM**

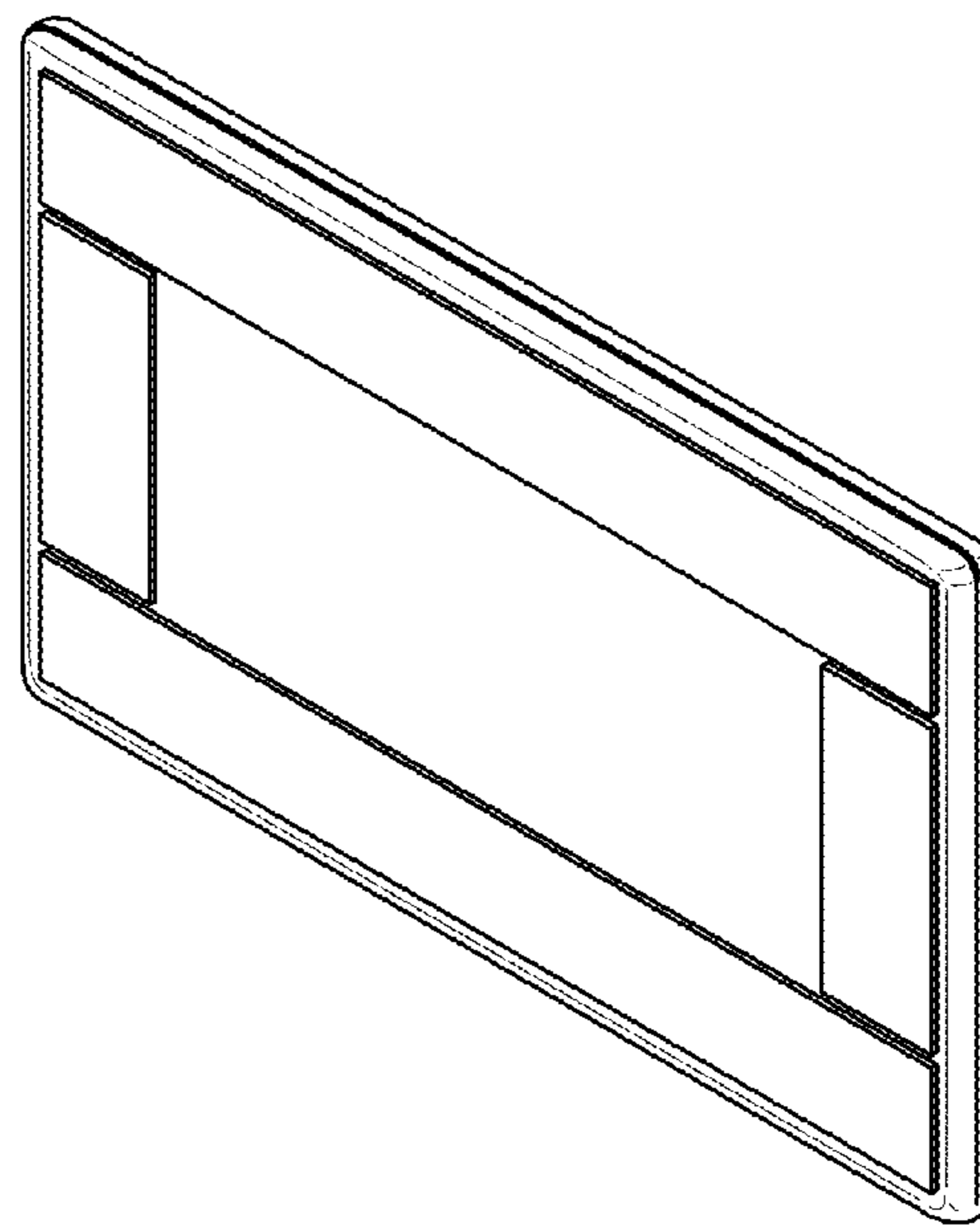
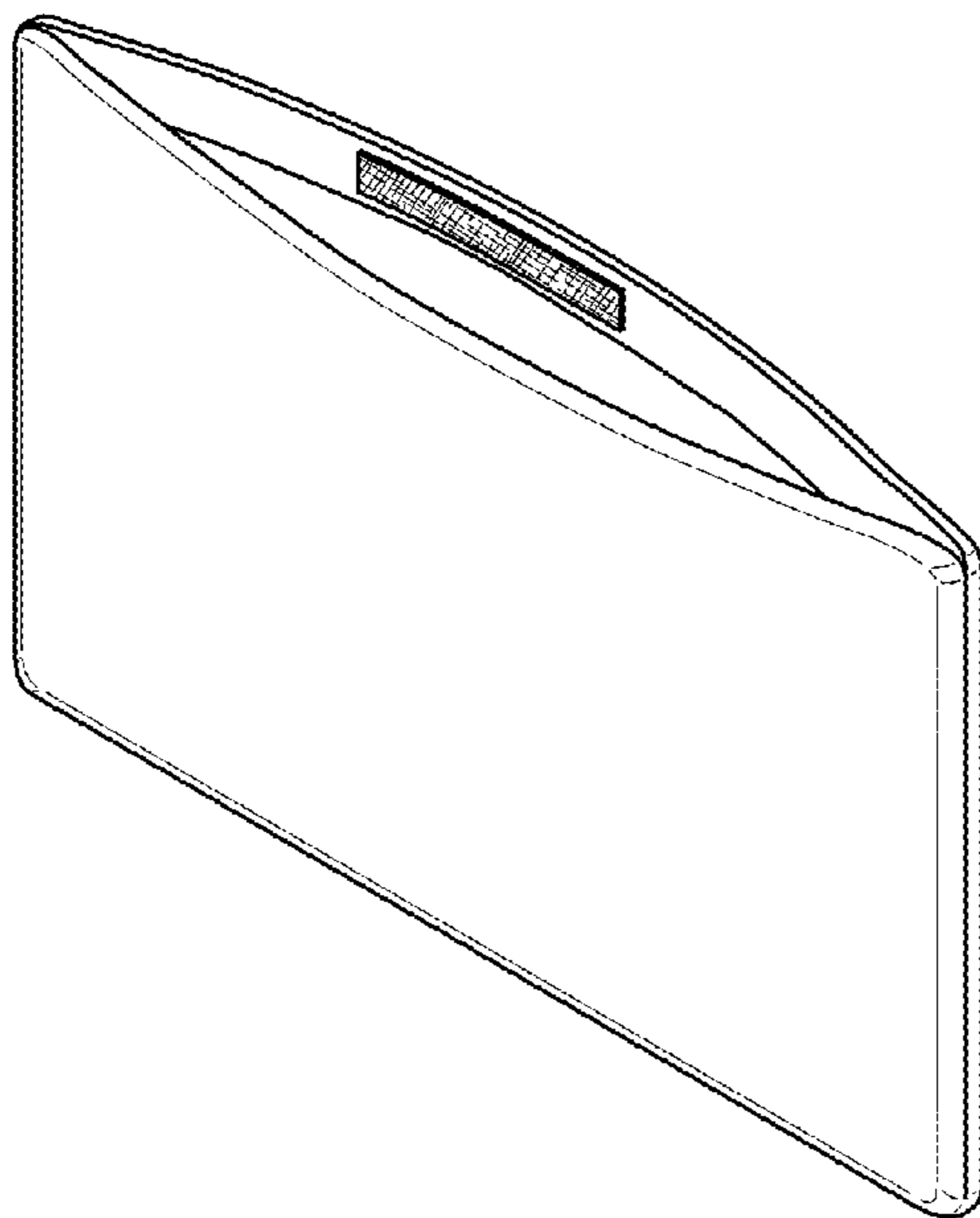
The ornamental design for a removable pocket with closure,  
as shown and described.

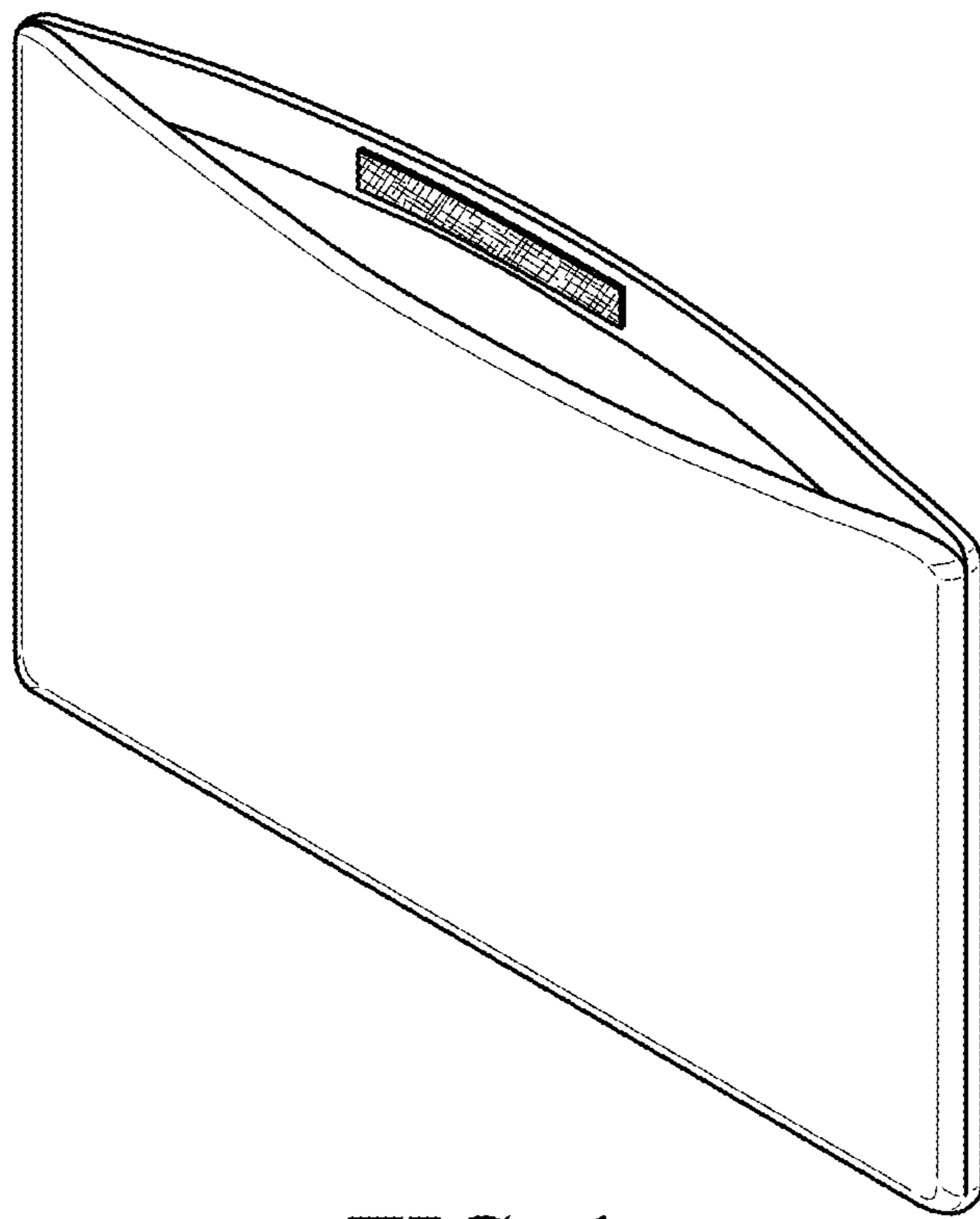
**DESCRIPTION**

FIG. 1 is a front perspective view of a removable pocket with closure showing my new design with the closure open; FIG. 2 is a front perspective view of the removable pocket of FIG. 1 with the closure closed; FIG. 3 is a rear perspective view thereof; FIG. 4 is a rear elevational view thereof; FIG. 5 is a bottom plan view thereof; FIG. 6 is a top plan view thereof; FIG. 7 is a left side view thereof; FIG. 8 is a front elevational view thereof; and, FIG. 9 is a right side view thereof.

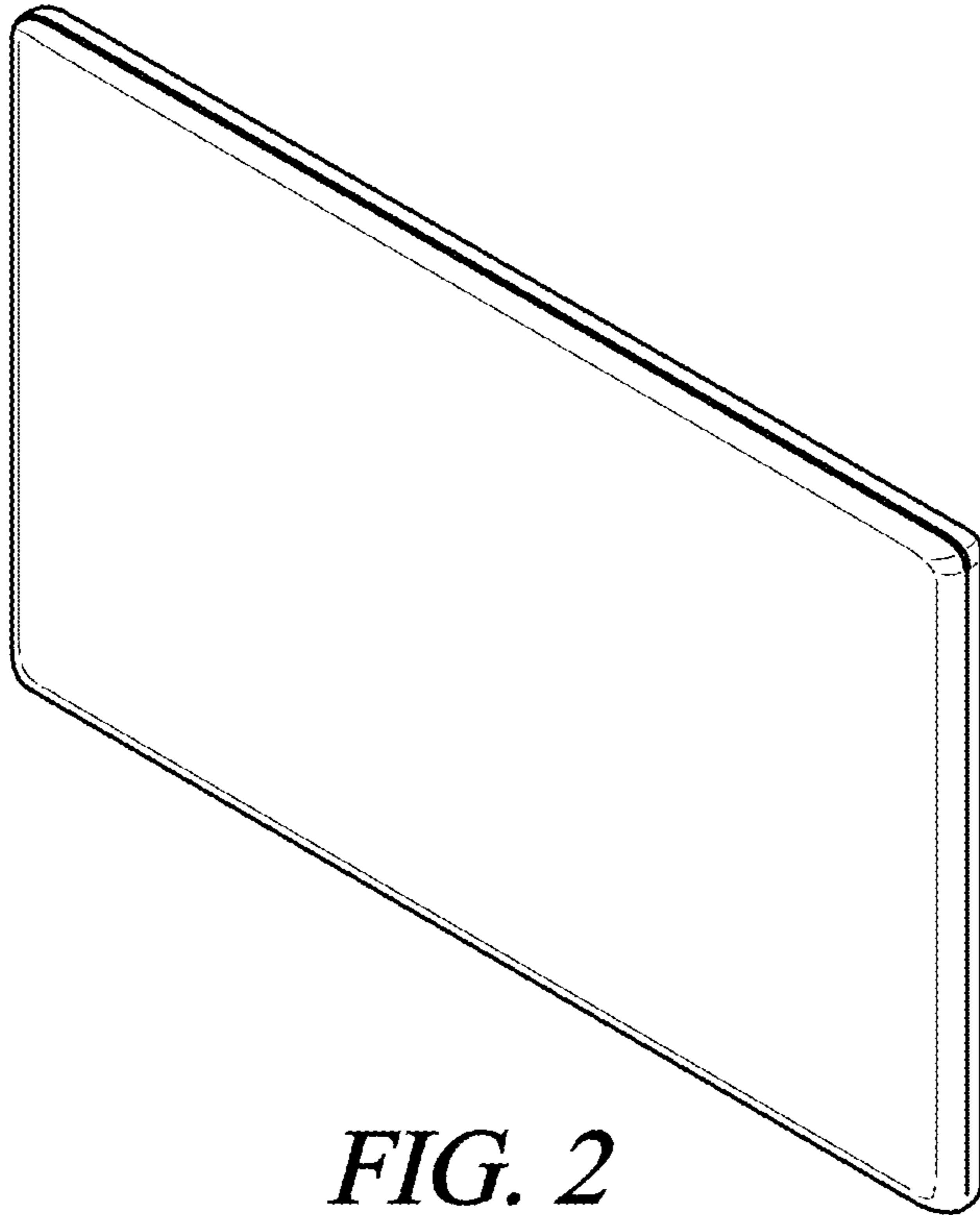
The cross hatch pattern of lines in FIG. 1 represents material.

**1 Claim, 3 Drawing Sheets**

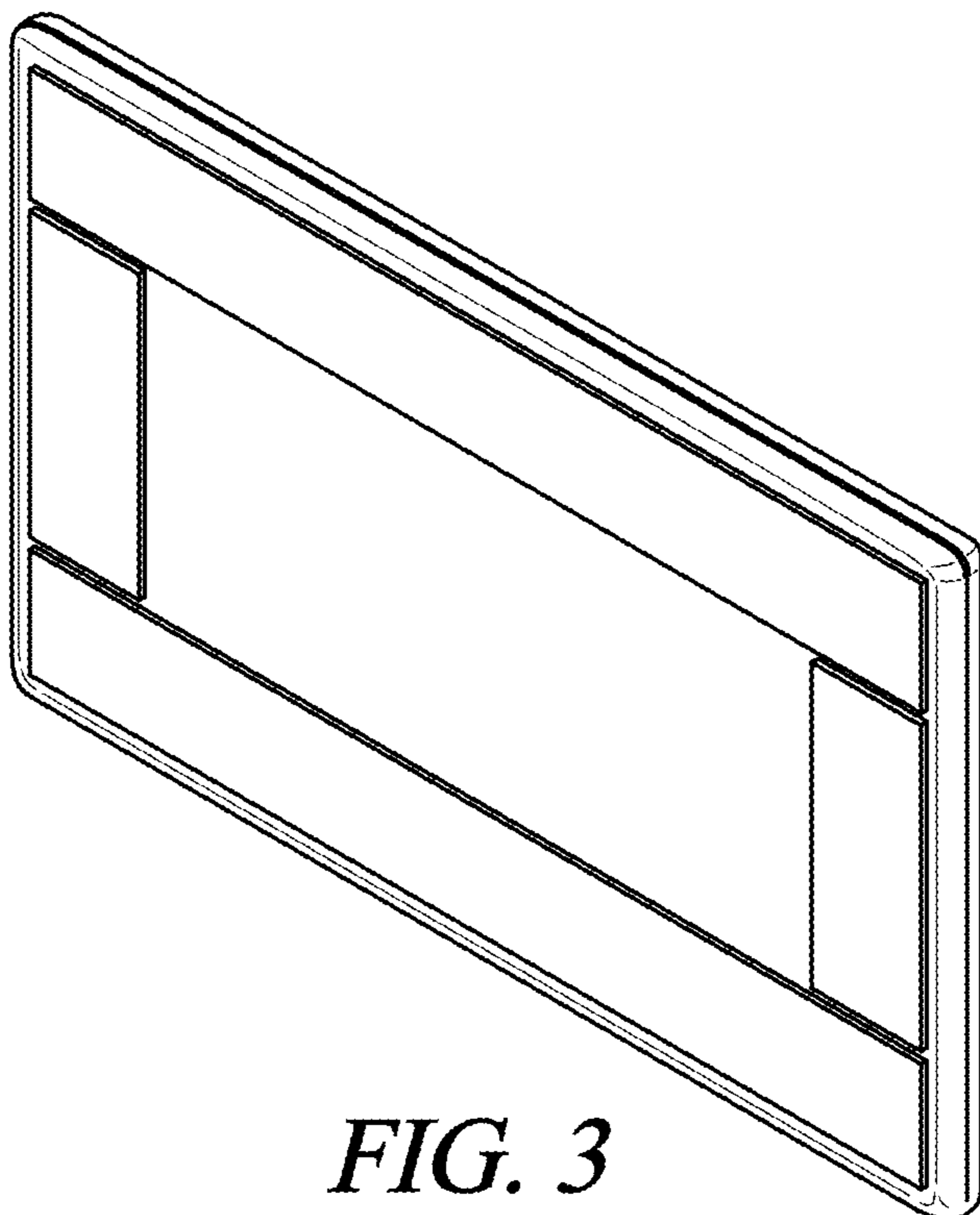




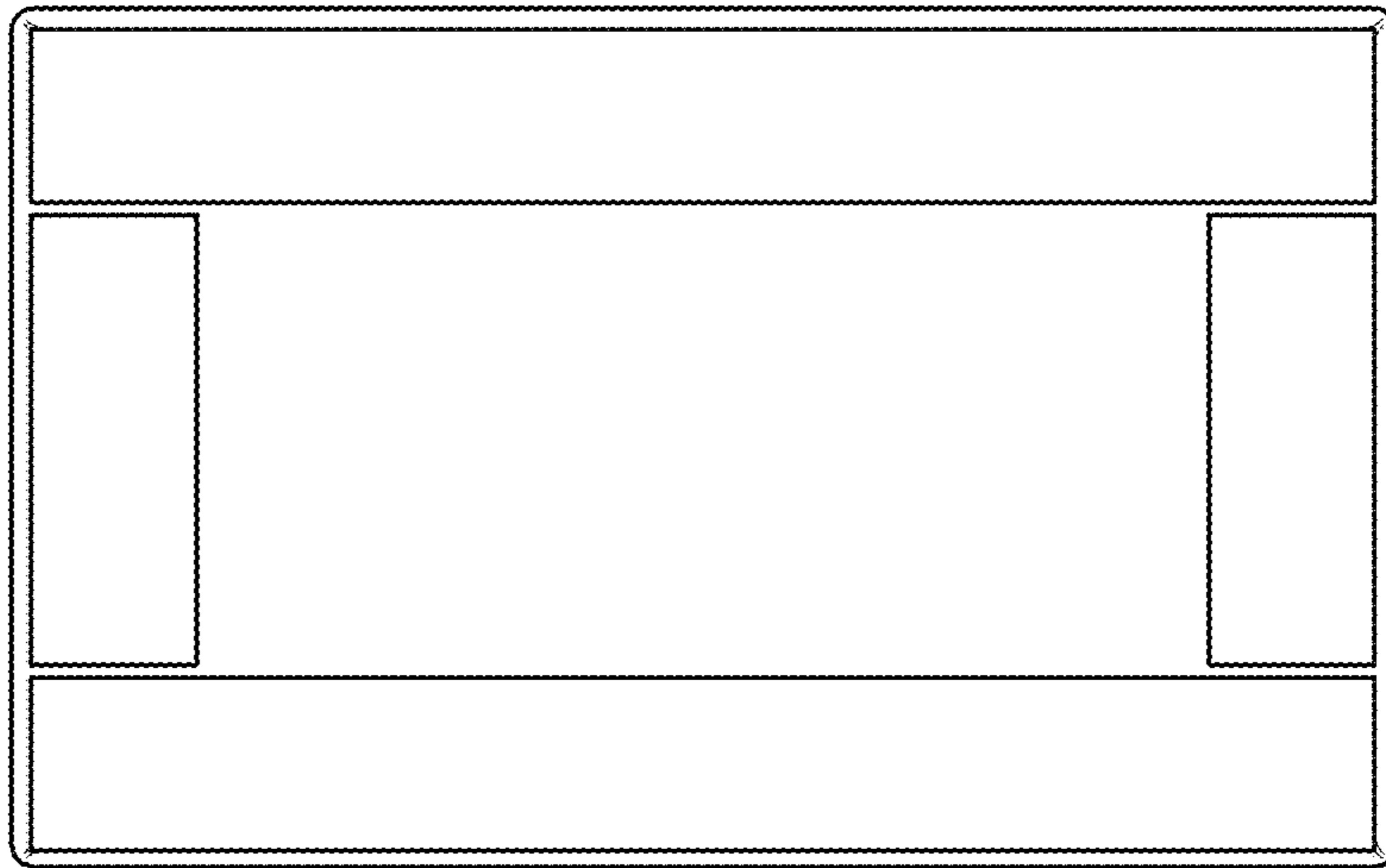
*FIG. 1*



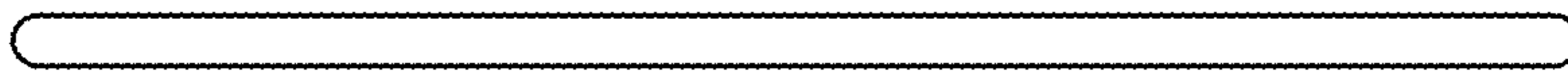
*FIG. 2*



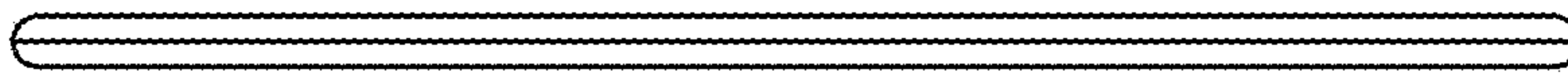
*FIG. 3*



*FIG. 4*



*FIG. 5*



*FIG. 6*



*FIG. 7*



*FIG. 8*



*FIG. 9*