



US00D804177S

(12) **United States Design Patent** (10) **Patent No.:** **US D804,177 S**
Zemel et al. (45) **Date of Patent:** **** Dec. 5, 2017**

(54) **STORAGE CONTAINER**
 (71) Applicant: **BLUE RHINO GLOBAL SOURCING, INC.**, Liberty, MO (US)
 (72) Inventors: **Marc Zemel**, Melville, NY (US);
Adam Schillen, Dix Hills, NY (US)
 (73) Assignee: **BLUE RHINO GLOBAL SOURCING, INC.**, Liberty, MO (US)

D525,789 S * 8/2006 Hosking D3/281
 D527,522 S * 9/2006 Kammerer D3/291
 D531,802 S * 11/2006 Zimmerman D3/276
 8,794,440 B2 * 8/2014 BeVier B65D 1/34
 206/507
 D718,934 S * 12/2014 Lin D3/281
 D741,597 S * 10/2015 Minneman D3/262
 D783,281 S * 4/2017 Hamernik D3/262
 D785,940 S * 5/2017 Reed D3/302

* cited by examiner

(**) Term: **15 Years**
 (21) Appl. No.: **29/570,317**

Primary Examiner — Jennifer Rivard
Assistant Examiner — April Rivas
 (74) *Attorney, Agent, or Firm* — Carter, DeLuca, Farrell & Schmidt, LLP

(22) Filed: **Jul. 7, 2016**
 (51) **LOC (10) Cl.** **03-01**
 (52) **U.S. Cl.**
 USPC **D3/295; D3/905**
 (58) **Field of Classification Search**
 USPC D3/206, 262, 271.8, 274, 273, 276, 282,
 D3/284, 294, 298, 302, 315, 901, 905,
 D3/904, 201, 295
 CPC B25H 3/003; A45C 2011/002; A45C
 2011/003; A45C 2011/007; A45C 11/16;
 A45C 11/36; A45C 11/34; A45C 15/00;
 A45D 2040/0012; A45D 40/24
 See application file for complete search history.

(57) **CLAIM**

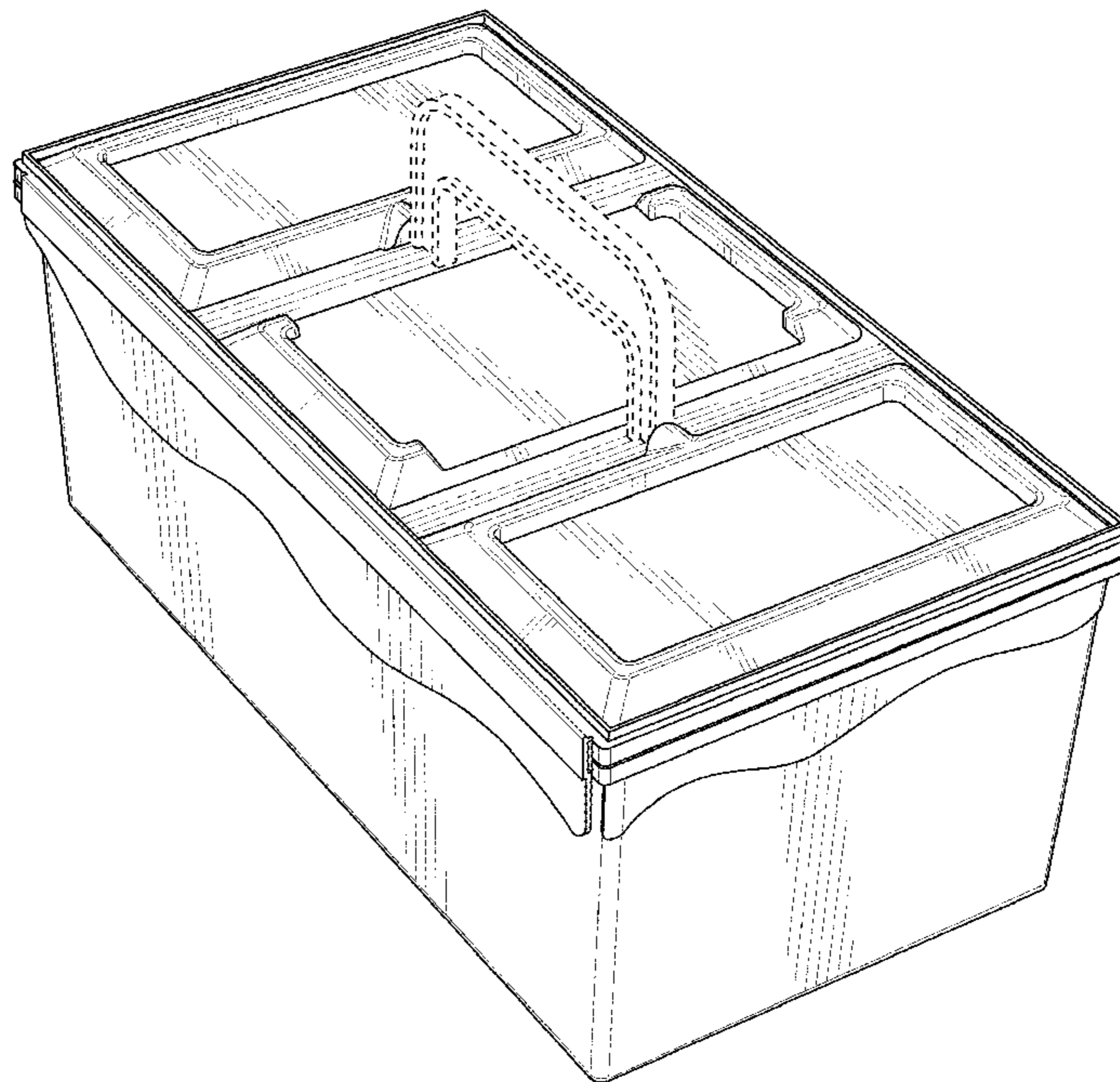
The ornamental design for a storage container, as shown and described.

DESCRIPTION

FIG. 1 is a front perspective view of a storage container in a closed configuration in accordance with the present design; FIG. 2 is a right side elevational view thereof; FIG. 3 is a left side elevational view thereof; FIG. 4 is a front elevational view thereof; FIG. 5 is a rear elevational view thereof; FIG. 6 is a top plan view thereof; FIG. 7 is a bottom plan view thereof; and, FIG. 8 is an exploded perspective view of the storage container in an open configuration. The broken lines shown in the drawings illustrate portions of the storage container that form no part of the claimed design.

(56) **References Cited**
 U.S. PATENT DOCUMENTS
 D249,590 S * 9/1978 Berkman D3/284
 D330,329 S * 10/1992 Brightbill D3/302
 D391,762 S * 3/1998 Ahern, Jr. D3/302
 D417,956 S * 12/1999 Story D3/276
 D418,296 S * 1/2000 Kobayashi D3/276

1 Claim, 8 Drawing Sheets



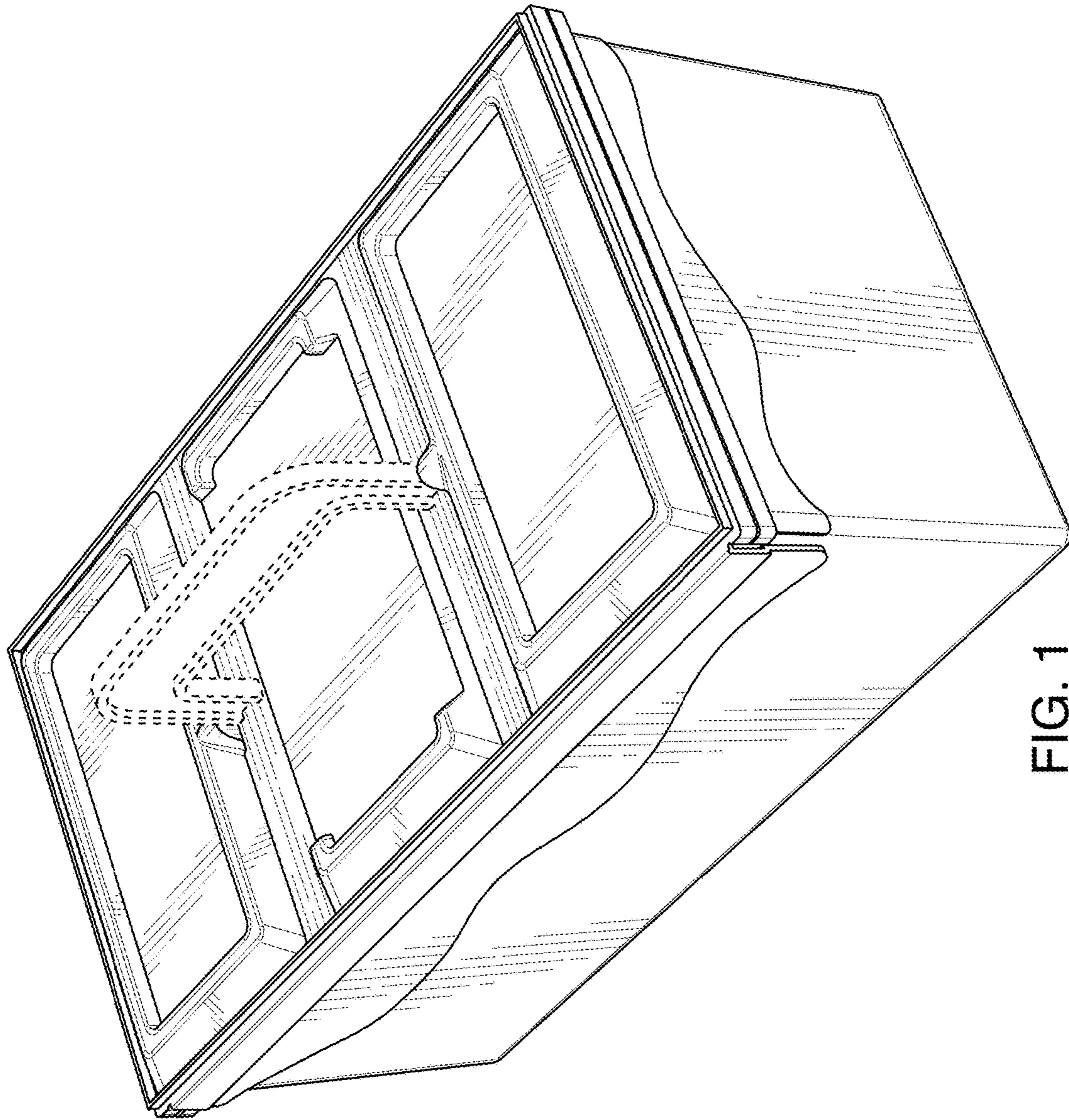


FIG. 1

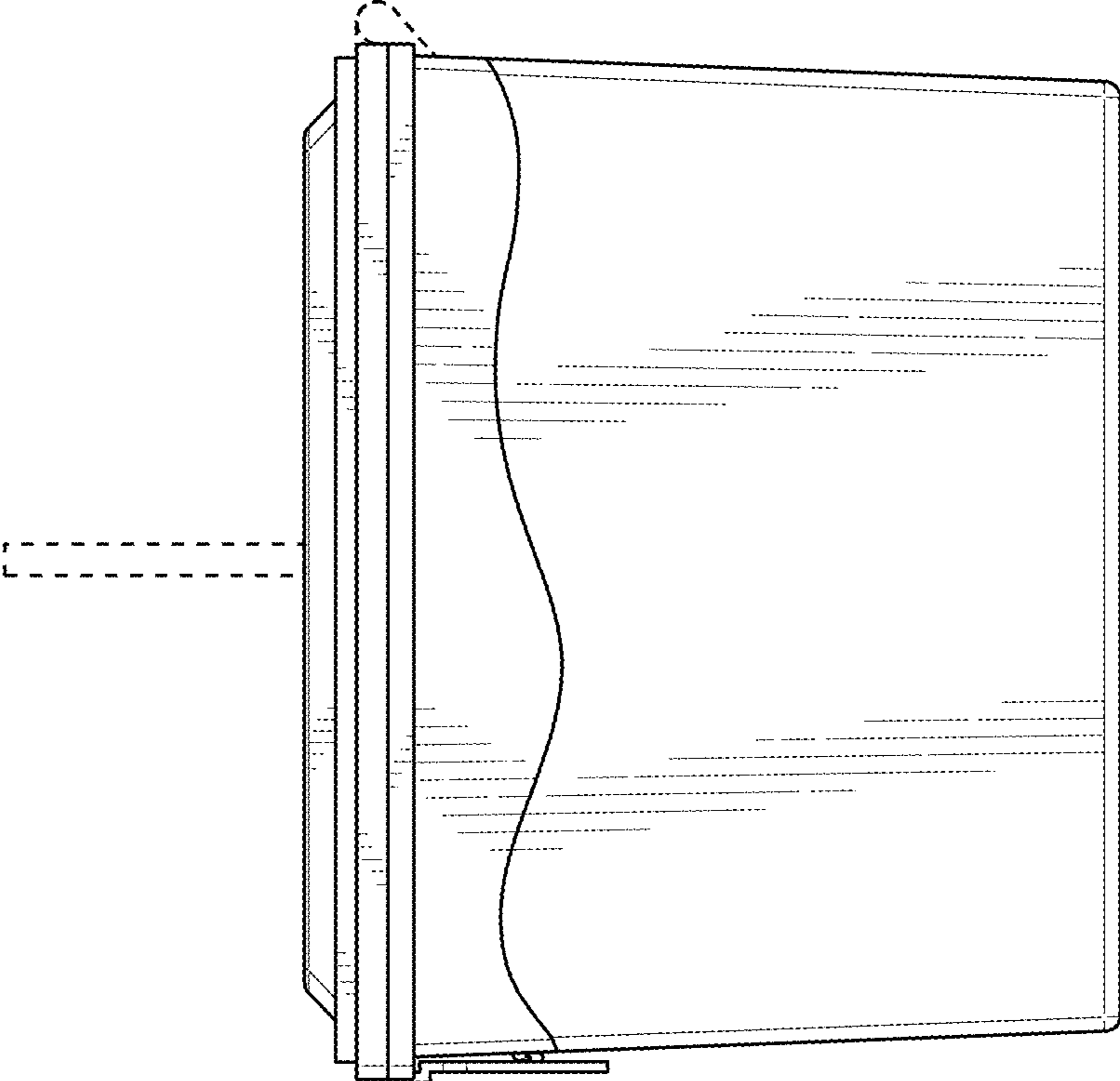


FIG. 2

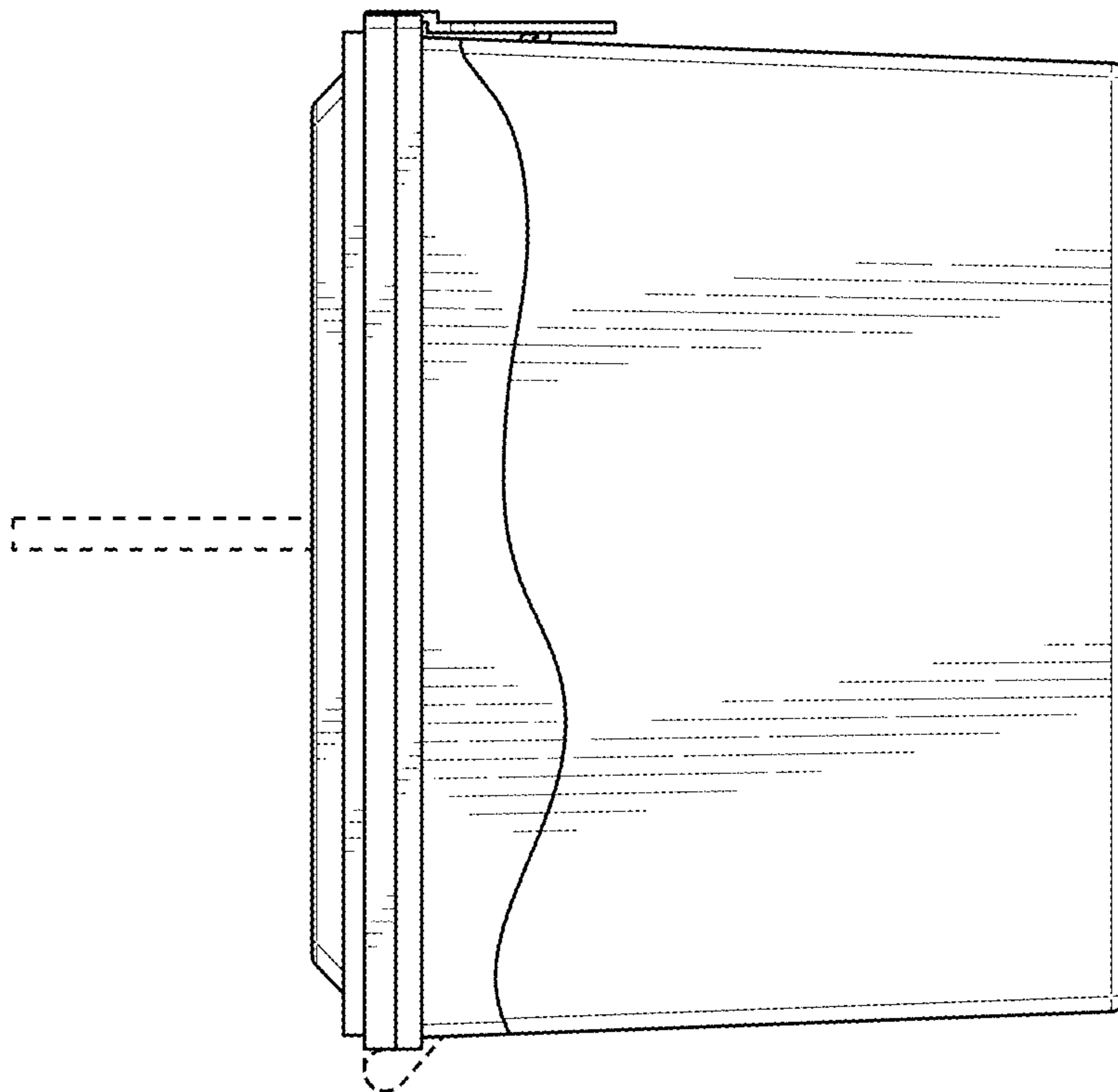


FIG. 3

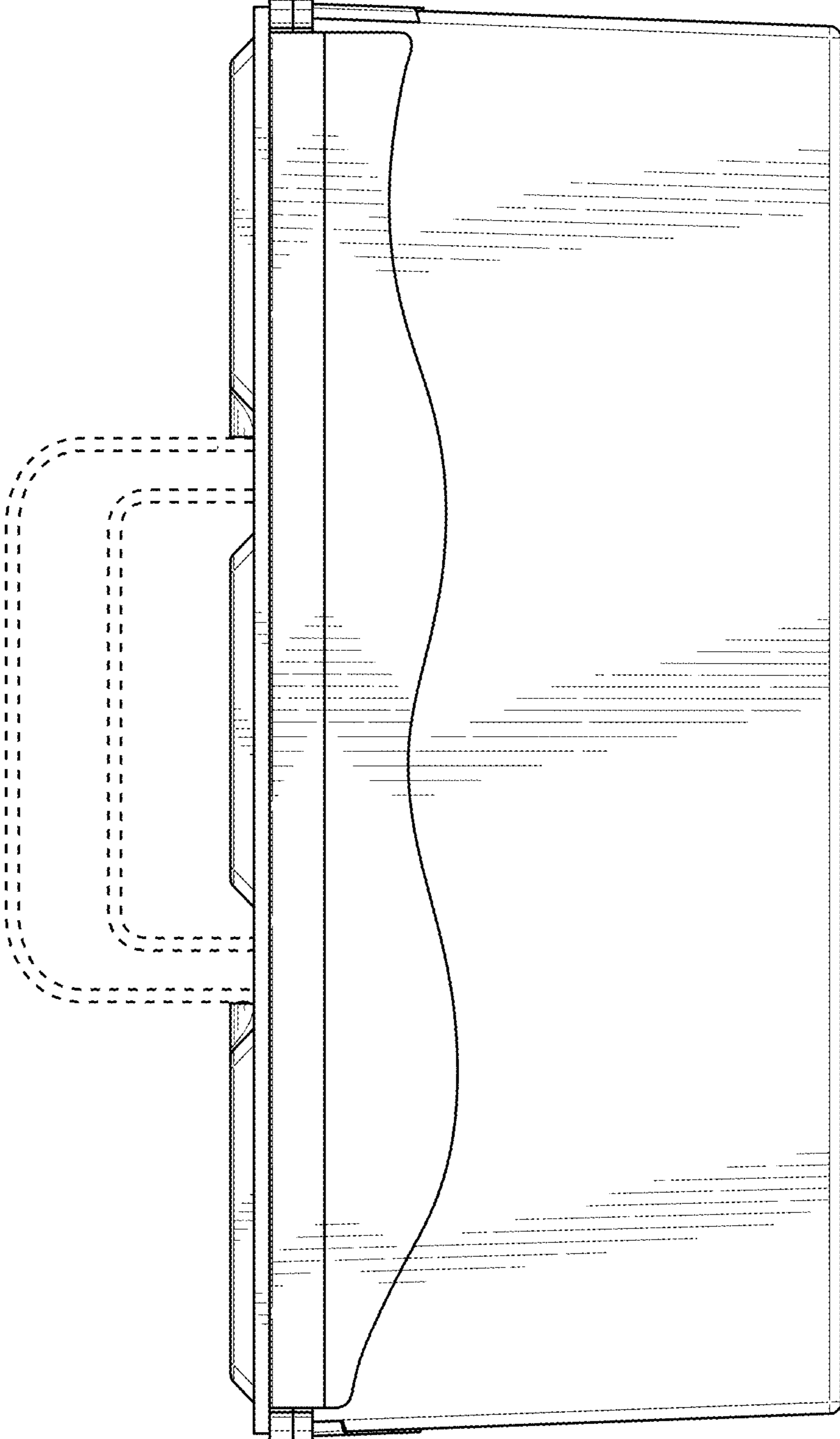


FIG. 4

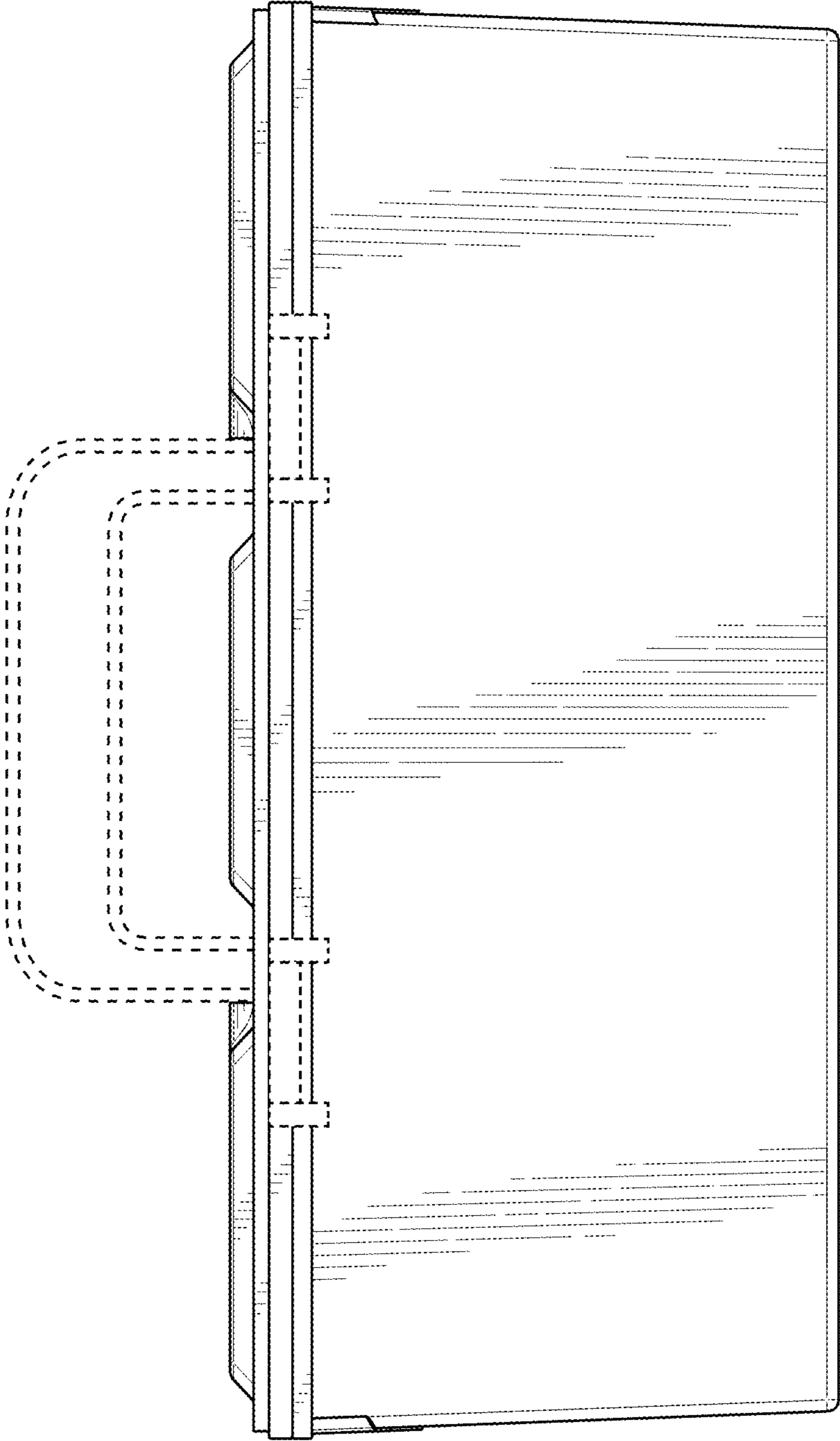


FIG. 5

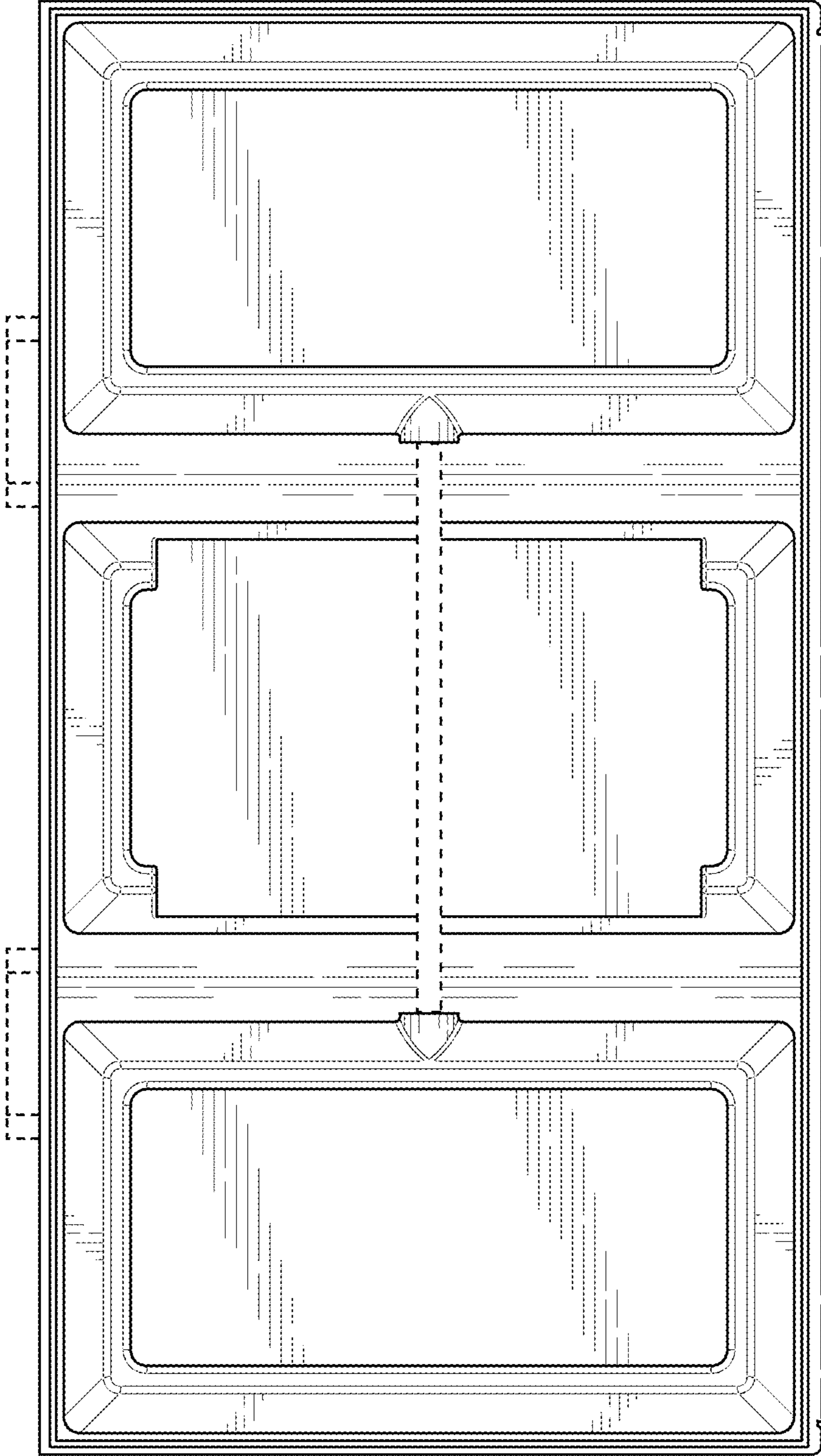


FIG. 6

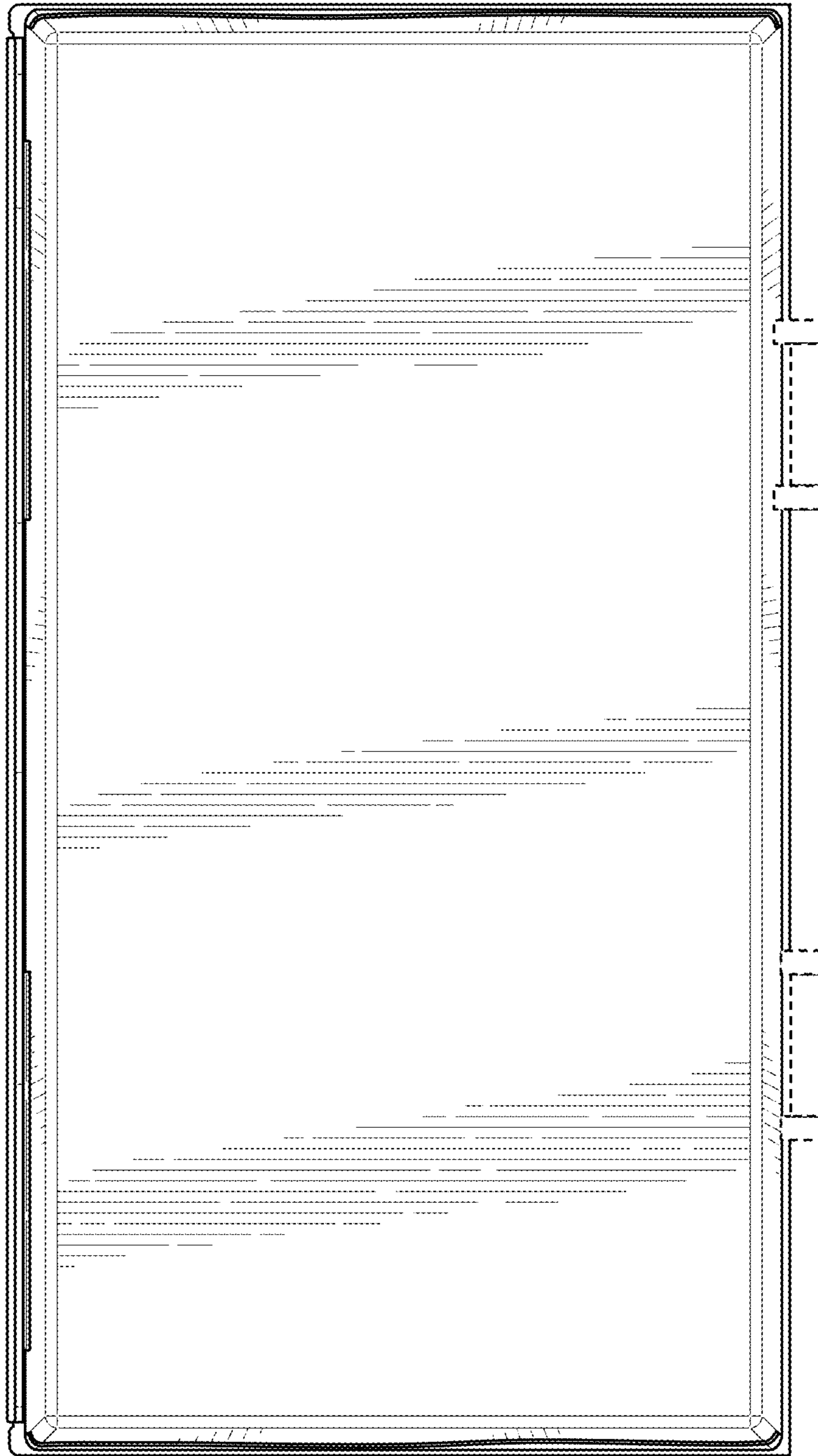


FIG. 7

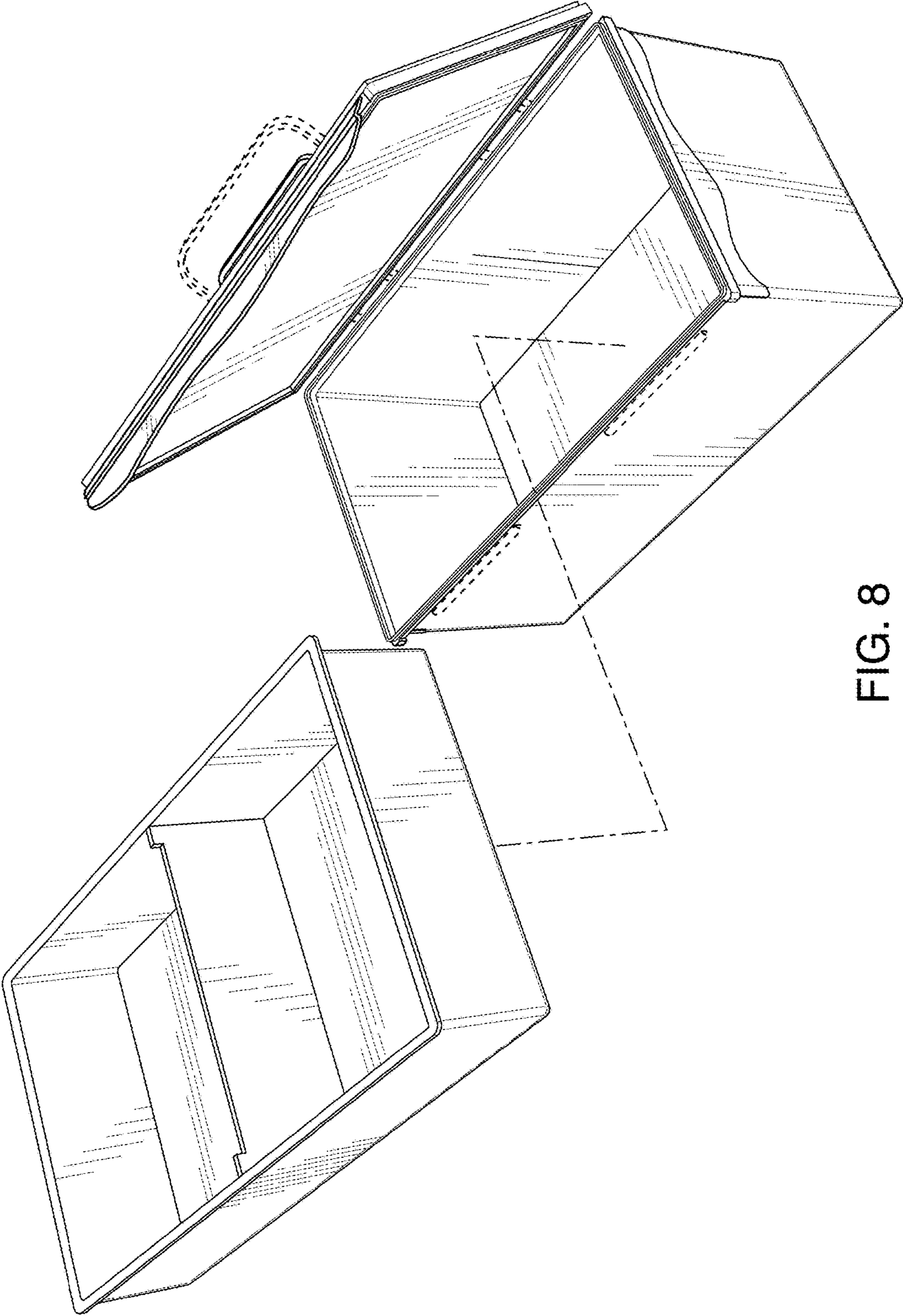


FIG. 8