



US00D804171S

(12) **United States Design Patent** (10) **Patent No.:** **US D804,171 S**  
**Judah et al.** (45) **Date of Patent:** **\*\* Dec. 5, 2017**

(54) **PURSE** D730,041 S \* 5/2015 Landry ..... D3/232  
 D730,643 S \* 6/2015 Langer ..... D3/232

(71) Applicant: **American Jewel LLC**, Valencia, CA (US) \* cited by examiner

(72) Inventors: **Saul Judah**, Valencia, CA (US); **Sherie Judah**, Valencia, CA (US) *Primary Examiner* — Holly H Baynham  
 (74) *Attorney, Agent, or Firm* — Mark Goldstein; M. Kala Sarvaiya; SoCal IP Law Group LLP

(73) Assignee: **American Jewel LLC**, Valencia, CA (US) (57) **CLAIM**

The ornamental design for a purse, as shown and described.

(\*\*) Term: **15 Years**

**DESCRIPTION**

(21) Appl. No.: **29/580,509**

A portion of the disclosure of this patent document contains material to which a claim for copyright is made. The copyright owner has no objection to the facsimile reproduction by anyone of the patent document or the patent disclosure, as it appears in the Patent and Trademark Office patent file or records, but reserves all other copyright rights whatsoever.

(22) Filed: **Oct. 10, 2016**

(51) **LOC (10) Cl.** ..... **03-01**

(52) **U.S. Cl.**  
 USPC ..... **D3/245**

(58) **Field of Classification Search**  
 USPC ..... D3/232–233, 240–243, 245–246  
 CPC ..... A45C 1/024; A45C 3/06  
 See application file for complete search history.

FIG. 1 is a front, right, top perspective view of a purse.

FIG. 2 is a front elevation view thereof.

FIG. 3 is a rear elevation view thereof.

FIG. 4 is a right side elevation view thereof.

FIG. 5 is a left side elevation view thereof.

FIG. 6 is a bottom plan view thereof; and,

FIG. 7 is a top plan view thereof.

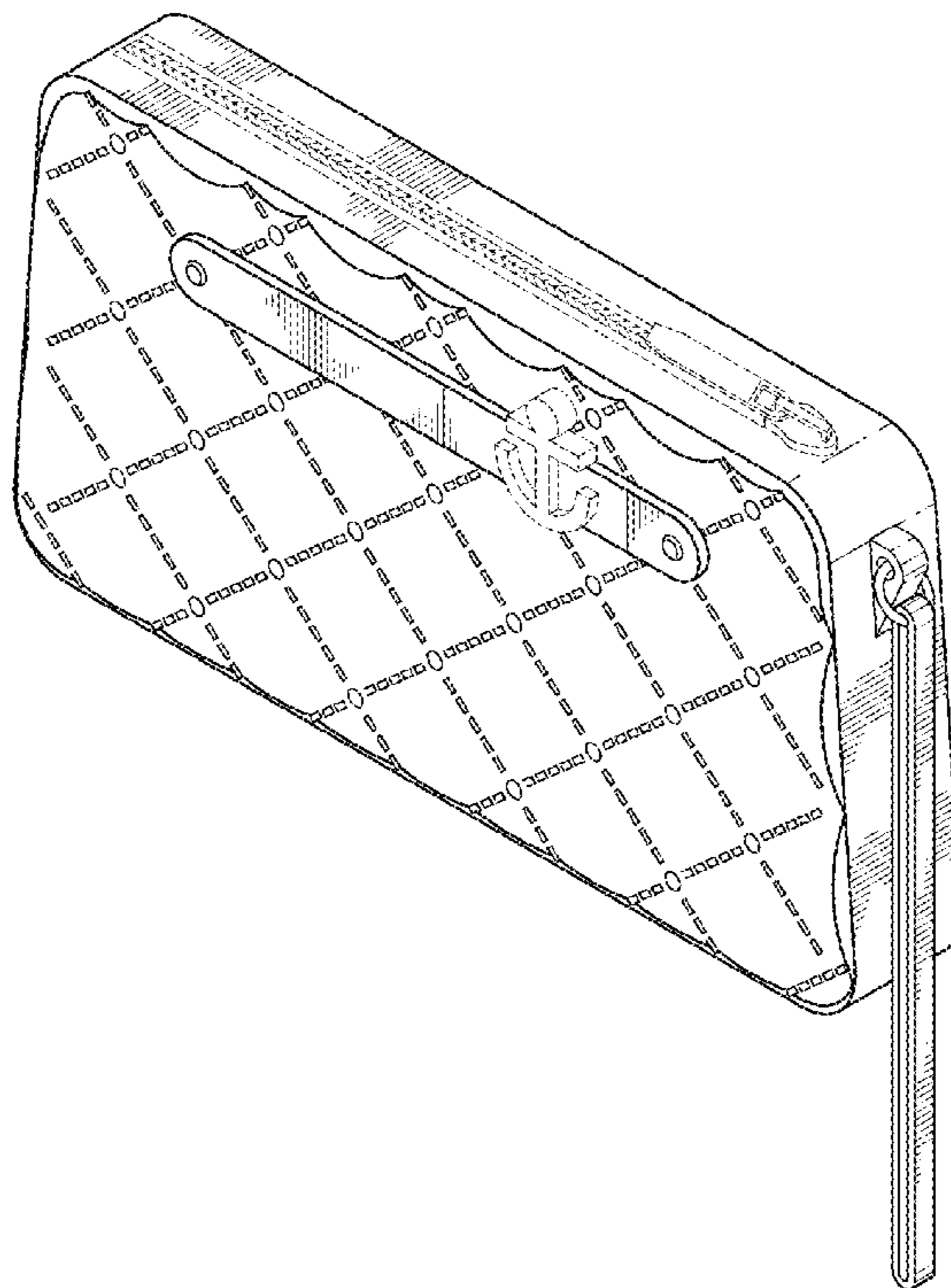
The broken lines showing a zipper pull tab and zipper are for the purposes of illustrating environment and form no part of the claimed design.

(56) **References Cited**

U.S. PATENT DOCUMENTS

D559,538 S *	1/2008	Dew	.....	D3/232
D597,303 S *	8/2009	Billauer	.....	D3/232
D661,485 S *	6/2012	Lopes	.....	D3/232
D665,575 S *	8/2012	Bouskill	.....	D3/232
D707,963 S *	7/2014	Szewczyk	.....	D3/232

**1 Claim, 5 Drawing Sheets**



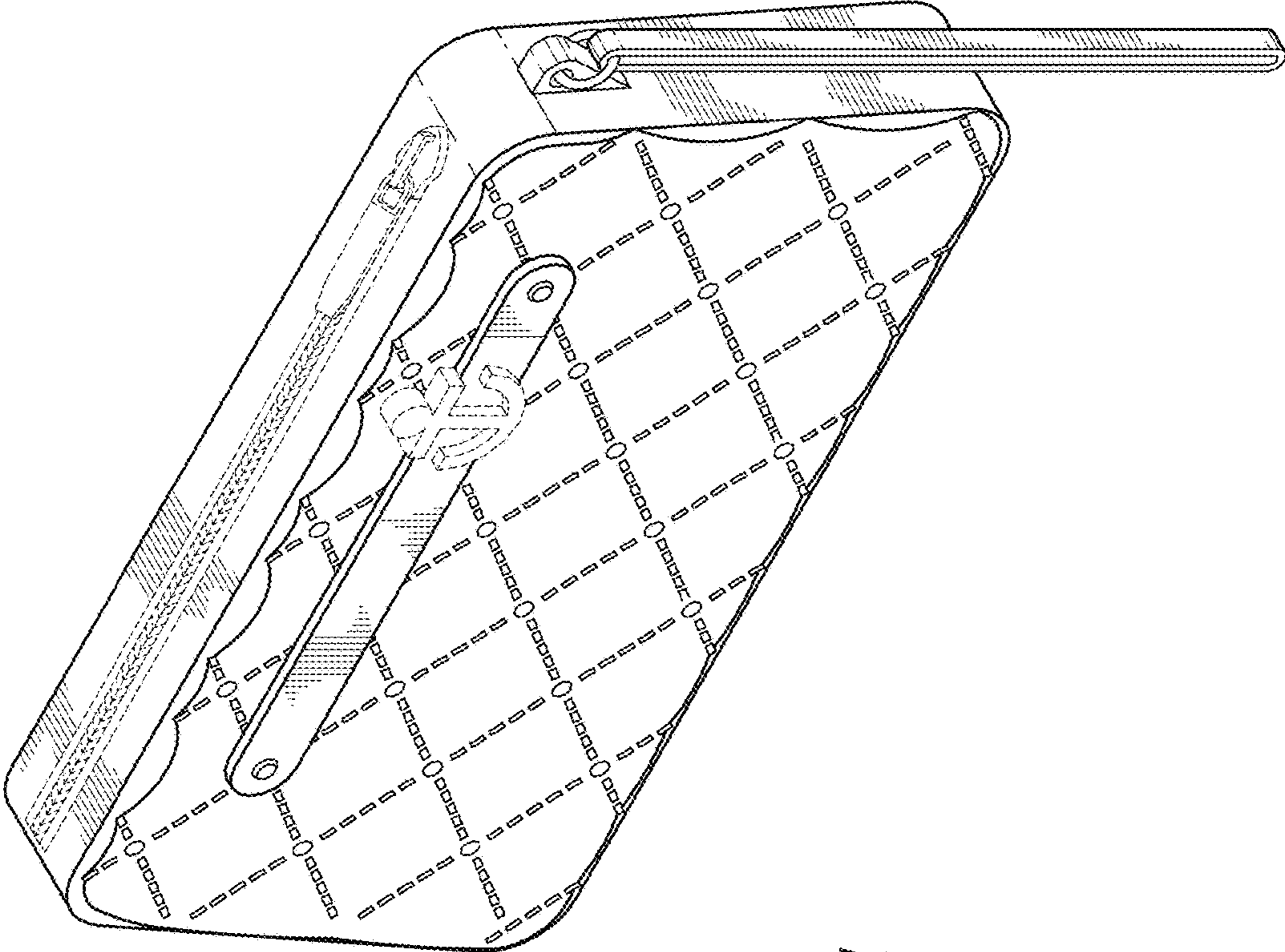


FIG. 1

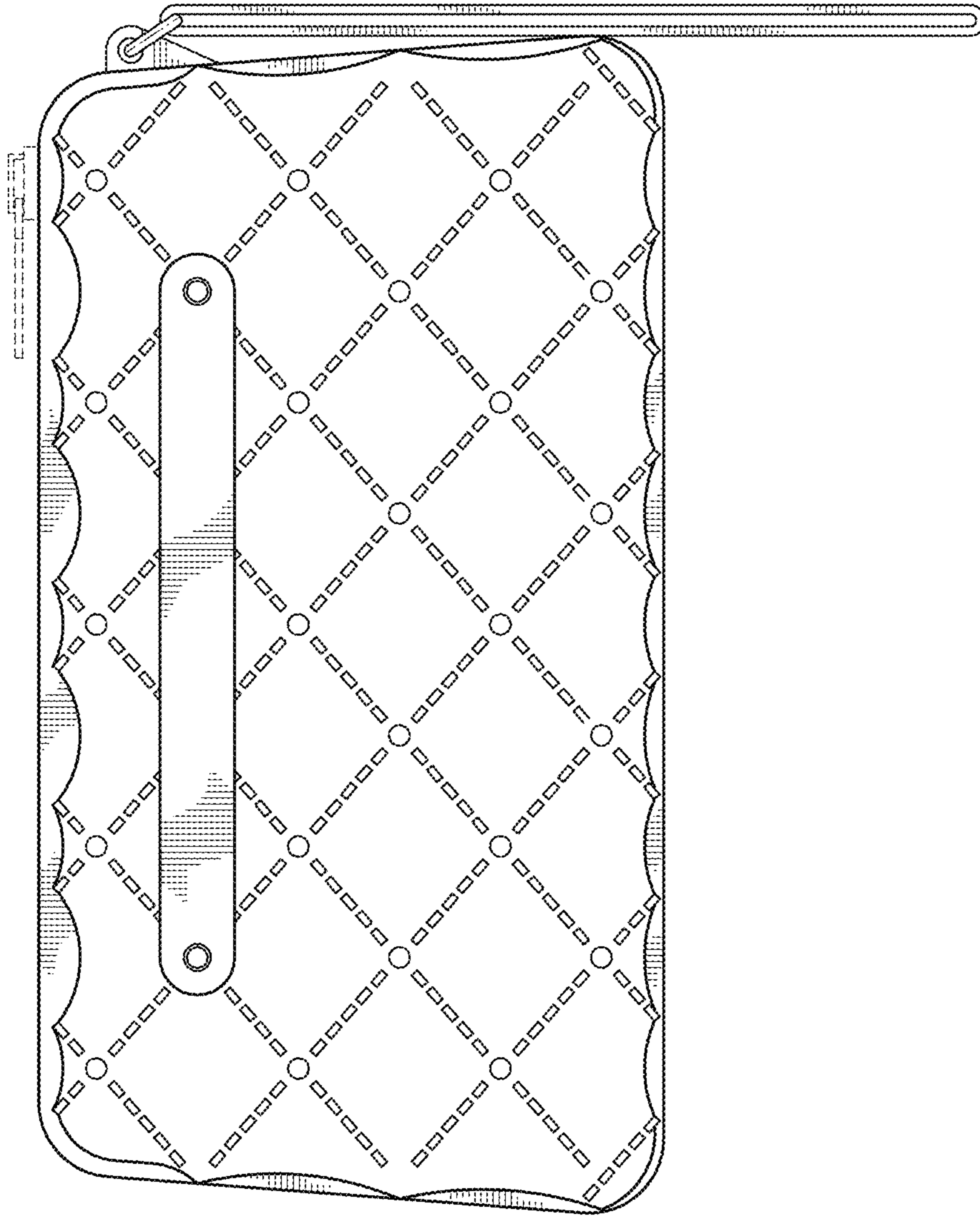


FIG. 2

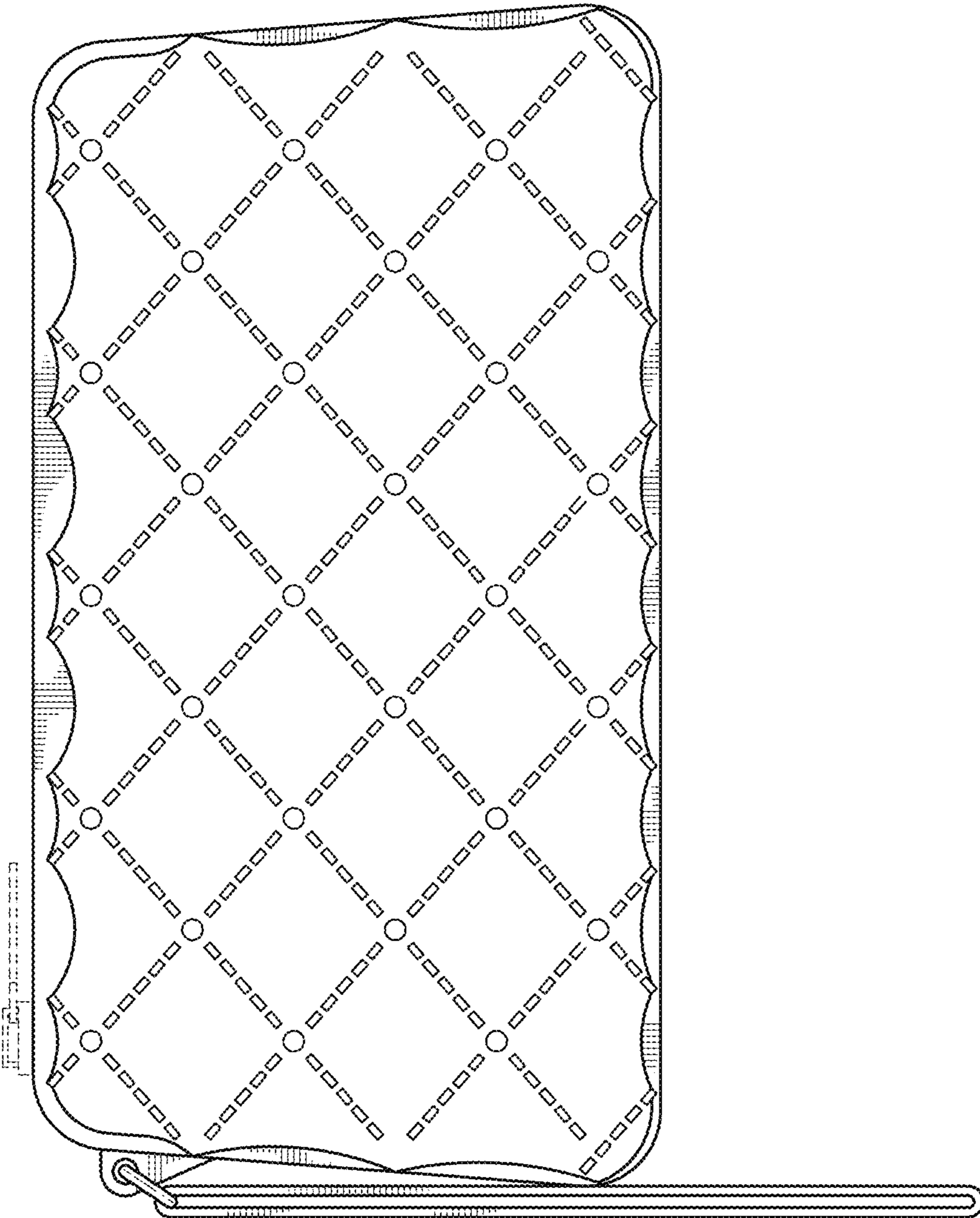


FIG. 3

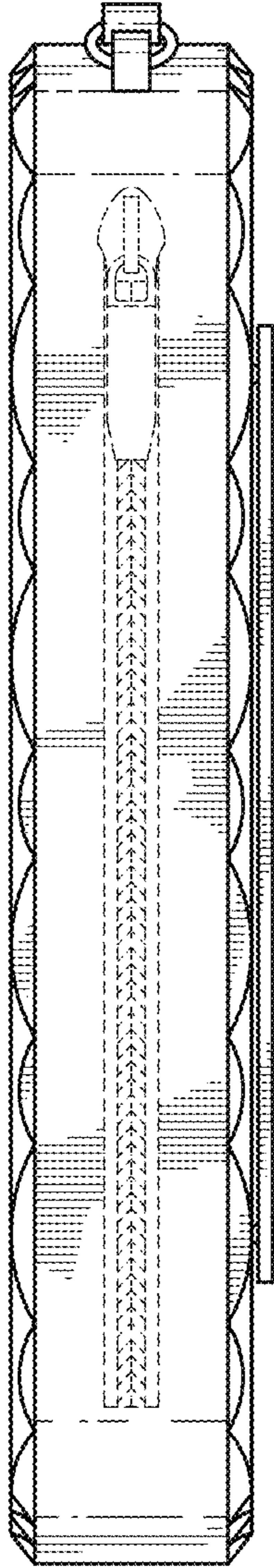


FIG. 4

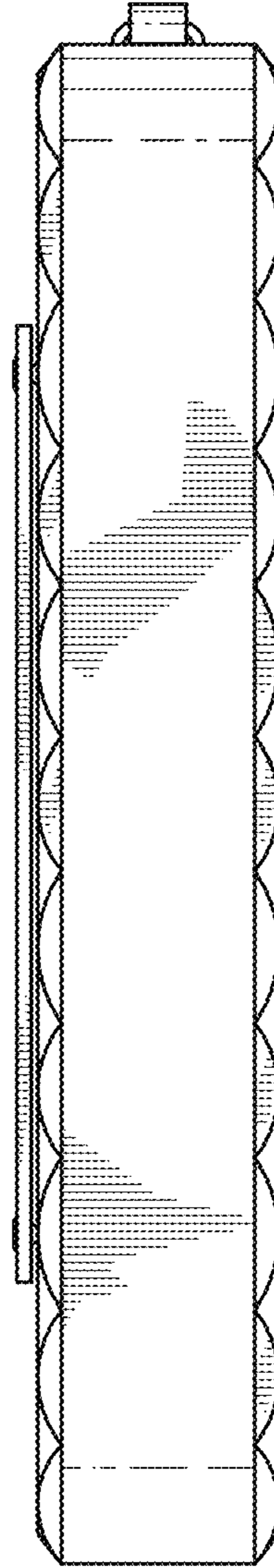


FIG. 5

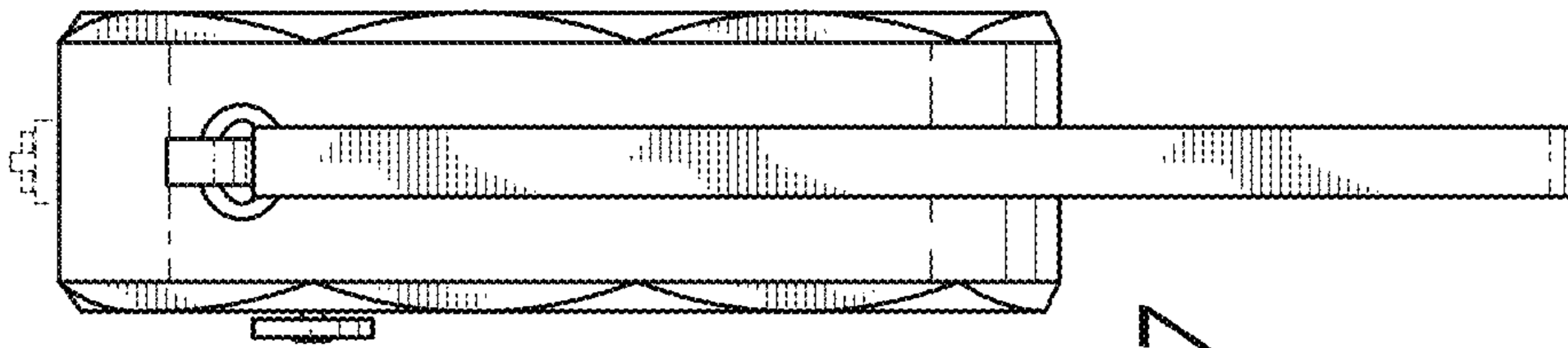


FIG. 7

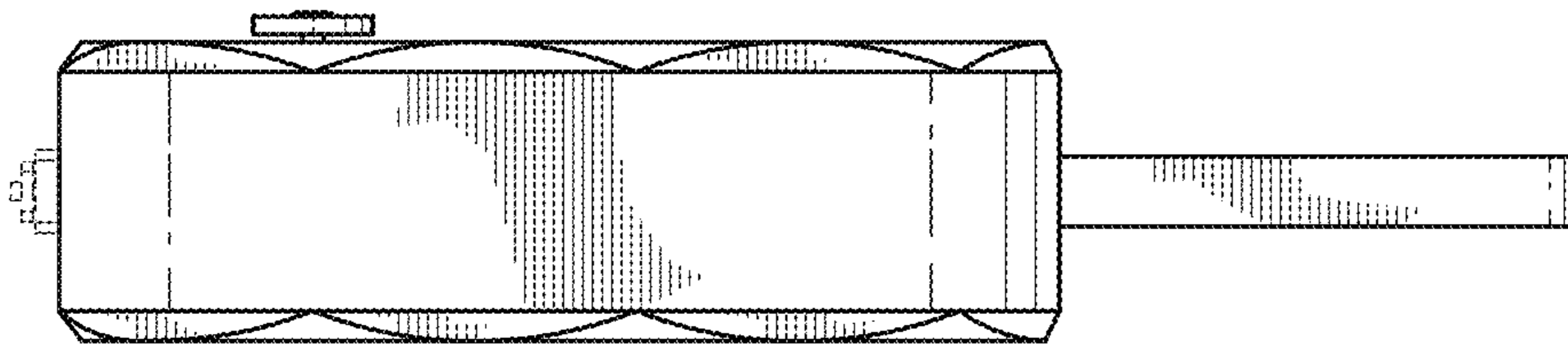


FIG. 6