



US00D804168S

(12) **United States Design Patent**
Higdon et al.

(10) **Patent No.: US D804,168 S**

(45) **Date of Patent: ** Dec. 5, 2017**

(54) **GOLF BAG POCKET**

(71) Applicant: **KARSTEN MANUFACTURING CORPORATION**, Phoenix, AZ (US)

(72) Inventors: **David A. Higdon**, Glendale, AZ (US);
James D. Martell, Tempe, AZ (US)

(73) Assignee: **Karsten Manufacturing Corporation**,
Phoenix, AZ (US)

(**) Term: **14 Years**

(21) Appl. No.: **29/501,622**

(22) Filed: **Sep. 5, 2014**

(51) **LOC (10) Cl. 03-01**

(52) **U.S. Cl.**

USPC **D3/220**

(58) **Field of Classification Search**

USPC D21/319, 333.342, 708, 753, 789, 797,
D21/799.1, 796; D3/320, 319, 318, 328,
D3/328.1, 201, 255; 150/131;
206/315.3, 315.2, 315.5, 315.1, 315.11;
224/901, 918

CPC A45C 3/00; A45C 5/06; A45C 2003/007;
A45C 2003/008; A63B 55/20; A63B
55/00; A63B 55/408; A63B 55/57

See application file for complete search history.

(56) **References Cited**

U.S. PATENT DOCUMENTS

5,004,100 A * 4/1991 Smith A63B 55/00
206/315.2
5,176,253 A * 1/1993 Perrin A45C 7/0086
206/315.3
5,222,598 A * 6/1993 Yamazoe A63B 55/00
206/315.5

5,402,883 A * 4/1995 Shin A63B 55/408
206/315.3
5,566,825 A * 10/1996 Price A63B 55/00
206/315.3
D391,082 S * 2/1998 Kim D3/320
5,732,819 A * 3/1998 Nishimura A63B 55/00
206/315.3
6,109,433 A * 8/2000 Pratt A63B 55/00
206/315.3
7,111,731 B2 * 9/2006 Pratt A45C 5/06
150/117
D571,104 S * 6/2008 Lyons D3/318
8,424,678 B2 * 4/2013 Anderson A63B 55/00
206/315.3
9,033,146 B2 * 5/2015 Higdon A63B 55/008
206/315.3
D762,067 S * 7/2016 Langner D3/255

* cited by examiner

Primary Examiner — Susan Bennett Hattan

Assistant Examiner — Rebecca Tsehaye

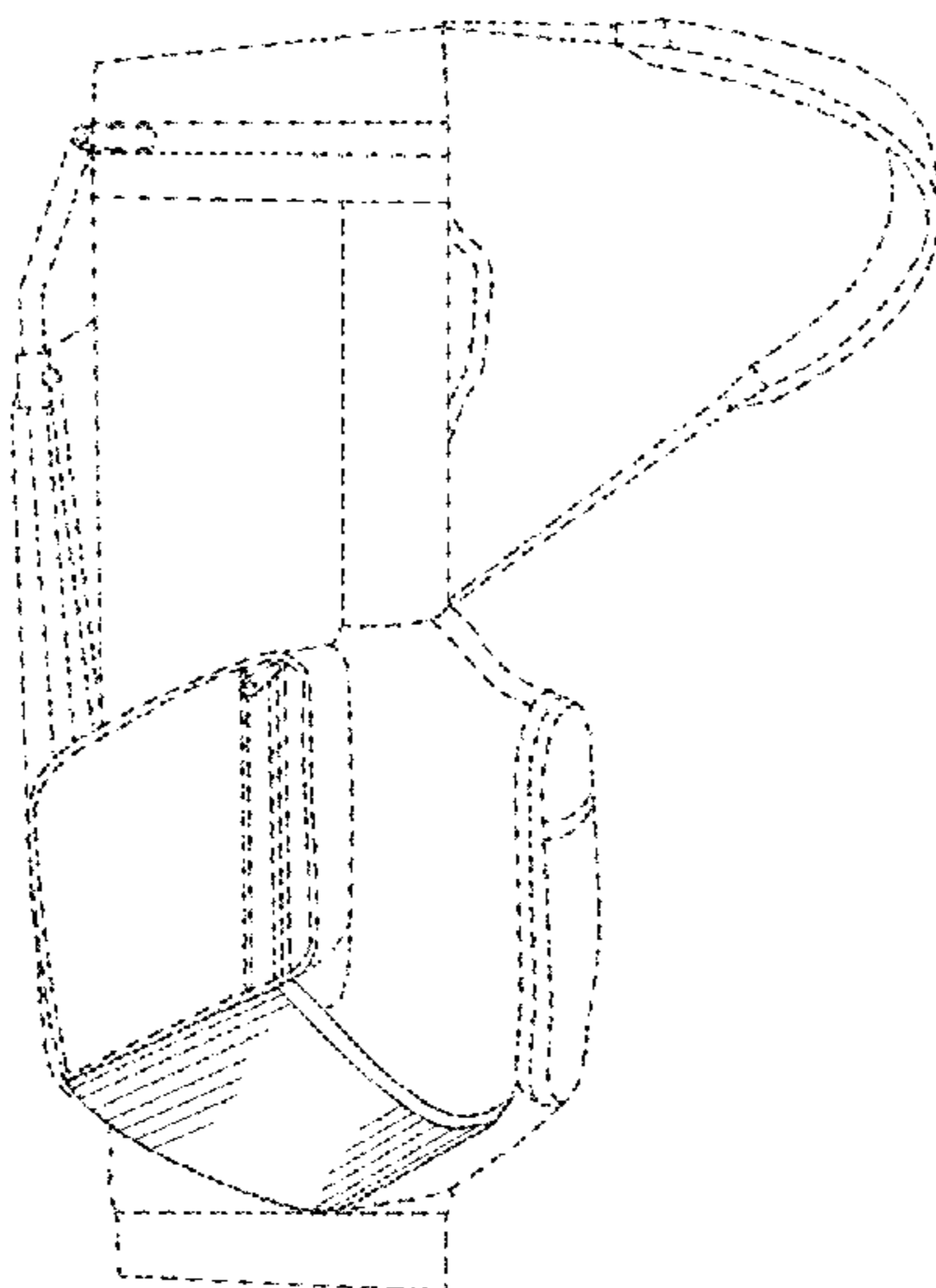
(57) **CLAIM**

The ornamental design for a golf bag pocket, as shown and described.

DESCRIPTION

FIG. 1 is a left perspective view of a golf bag pocket;
FIG. 2 is a second left perspective view of the golf bag pocket of FIG. 1;
FIG. 3 is a left perspective view of the golf bag pocket of FIG. 1 when being worn on an individual's shoulders;
FIG. 4 is a front view of the golf bag pocket of FIG. 1;
FIG. 5 is a right view of the golf bag pocket of FIG. 1;
FIG. 6 is a top view of the golf bag pocket of FIG. 1;
FIG. 7 is a bottom view of the golf bag pocket of FIG. 1; and,
FIG. 8 is a rear view of the golf bag pocket of FIG. 1.
The broken lines in the drawings depict environmental subject matter that forms no part of the claimed invention.

1 Claim, 7 Drawing Sheets



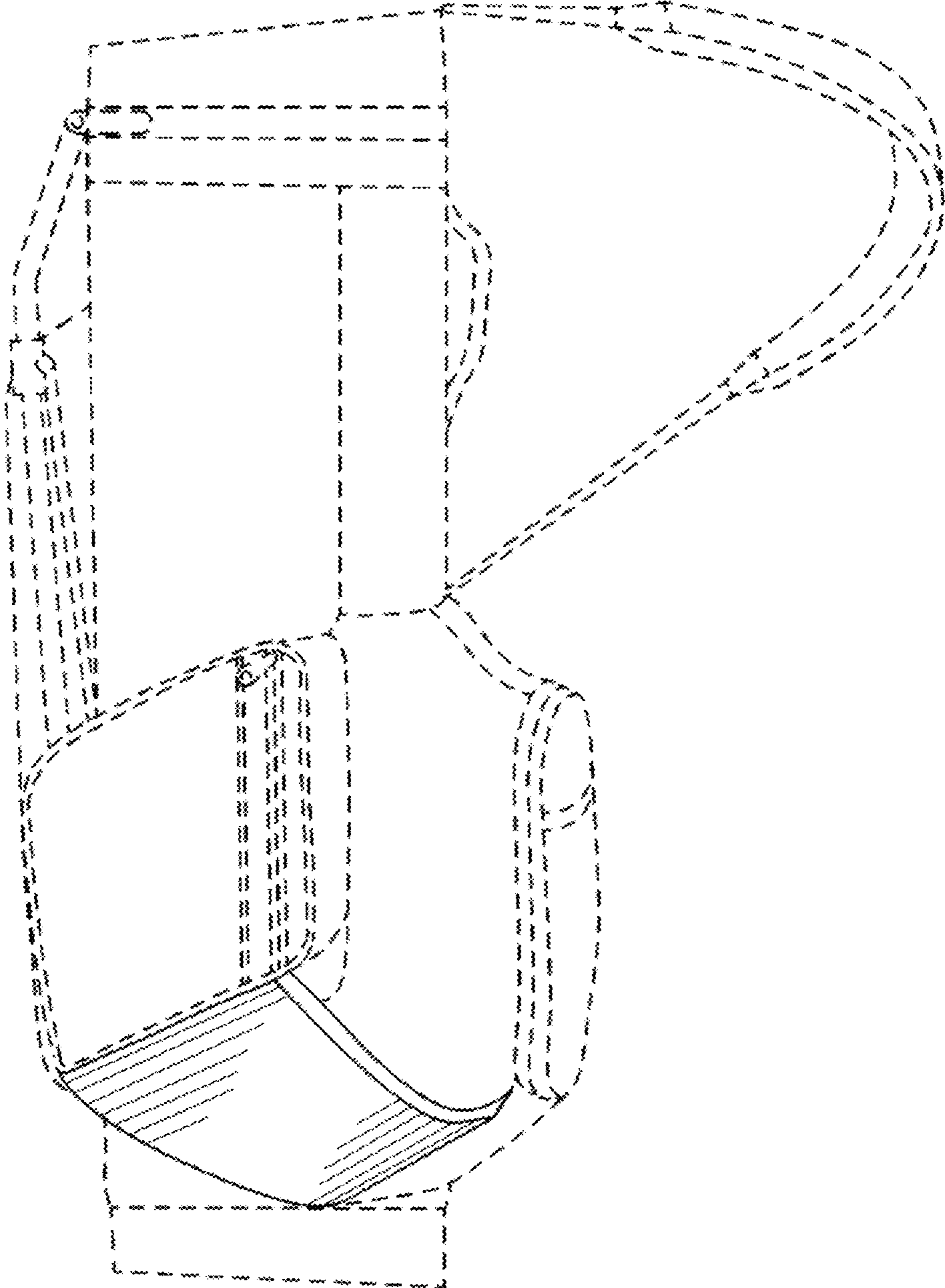


Fig. 1

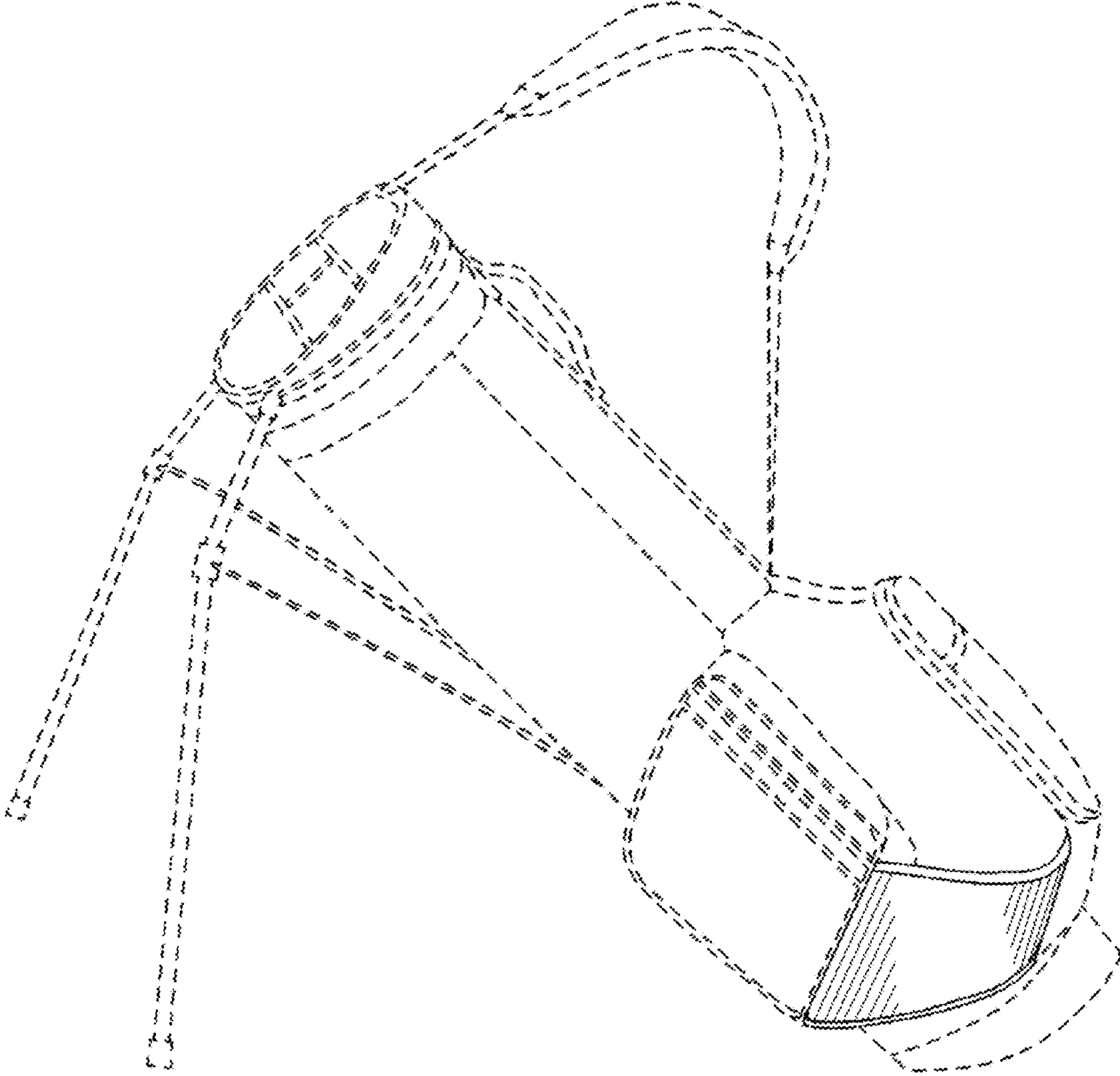


Fig. 2

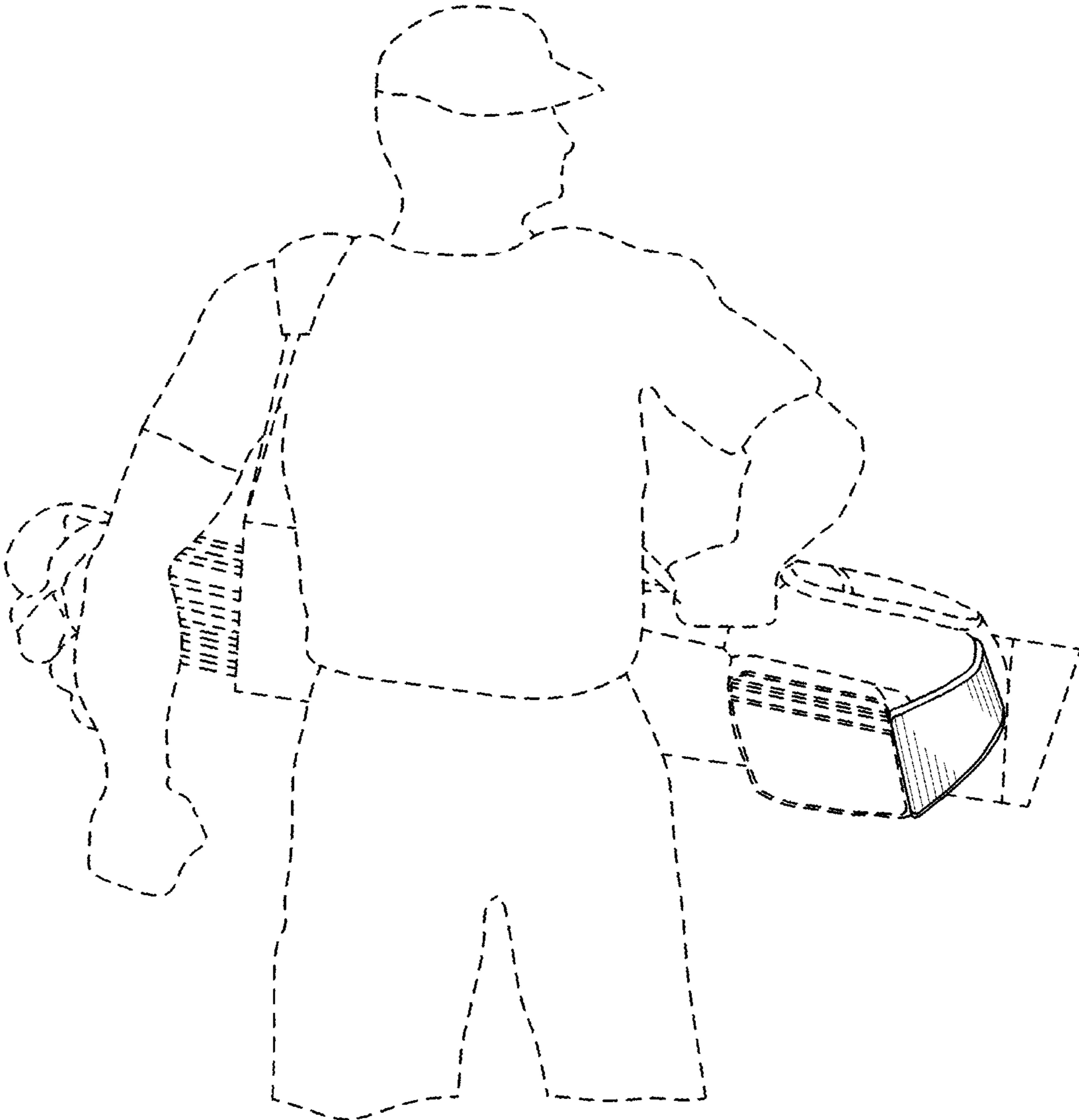


Fig. 3

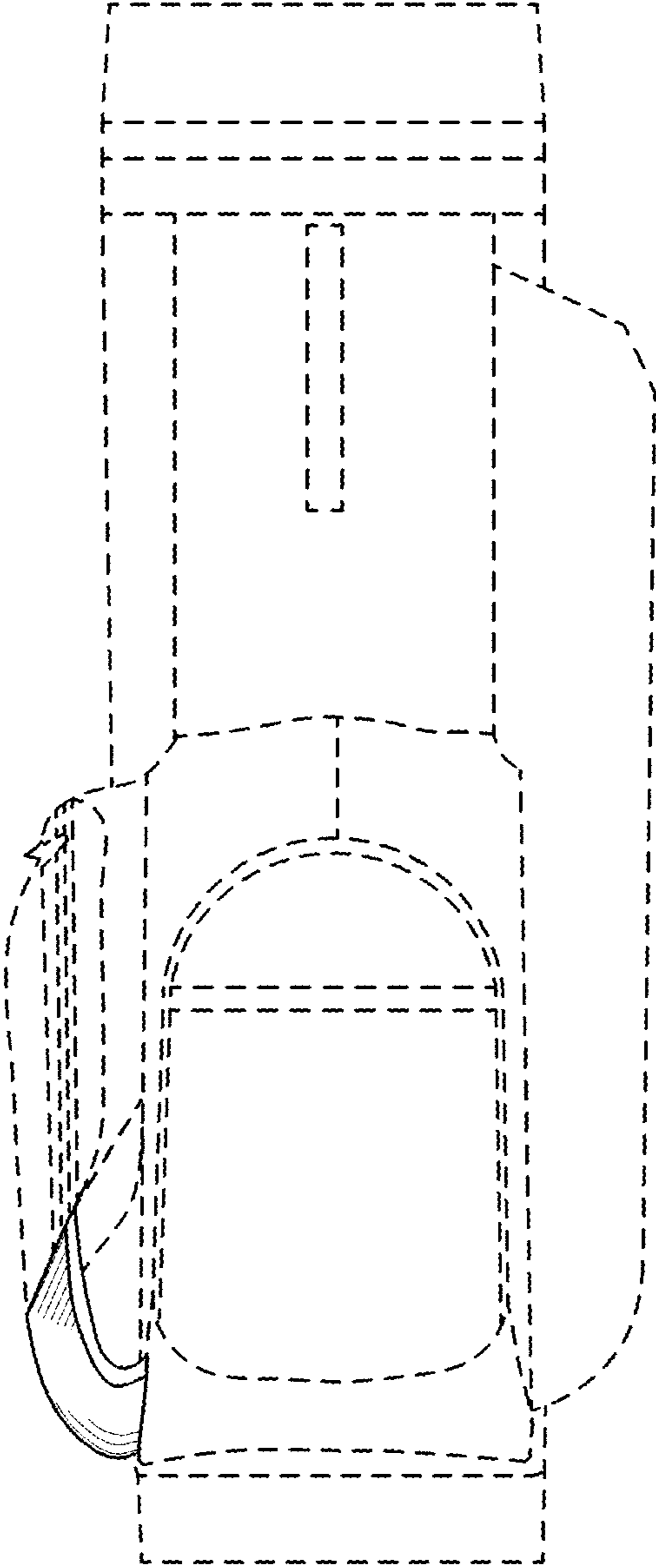


Fig. 4

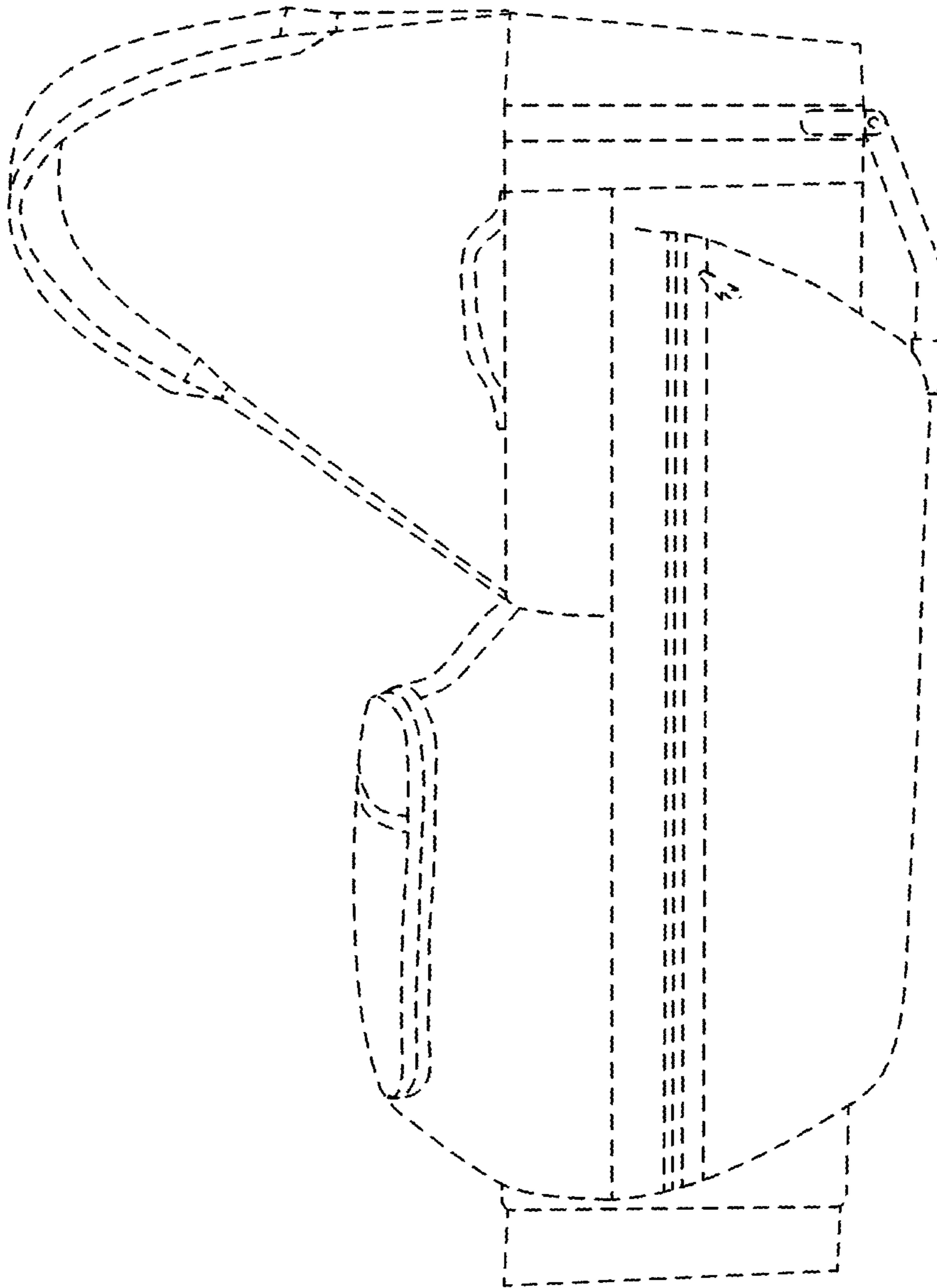


Fig. 5

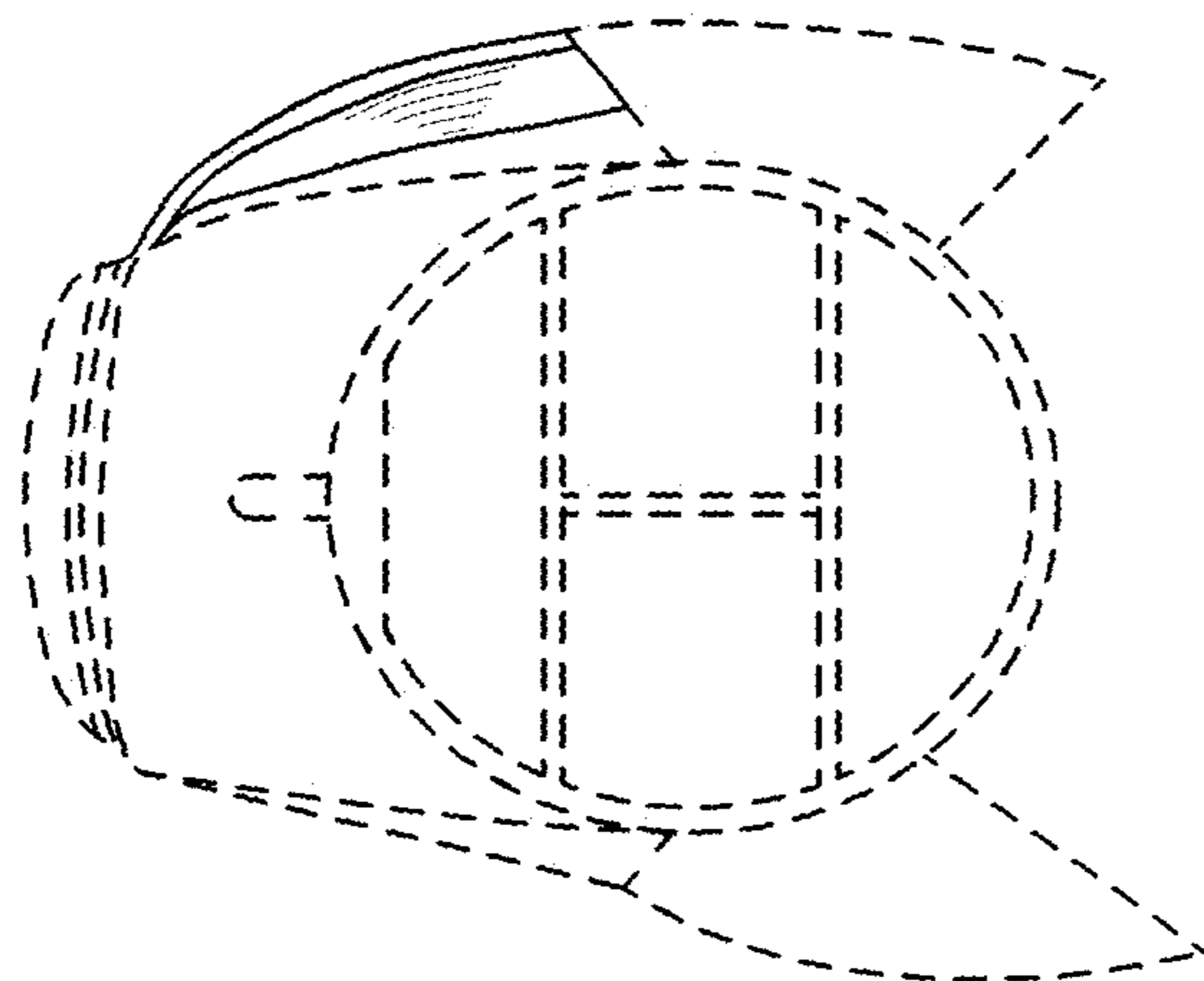


Fig. 6

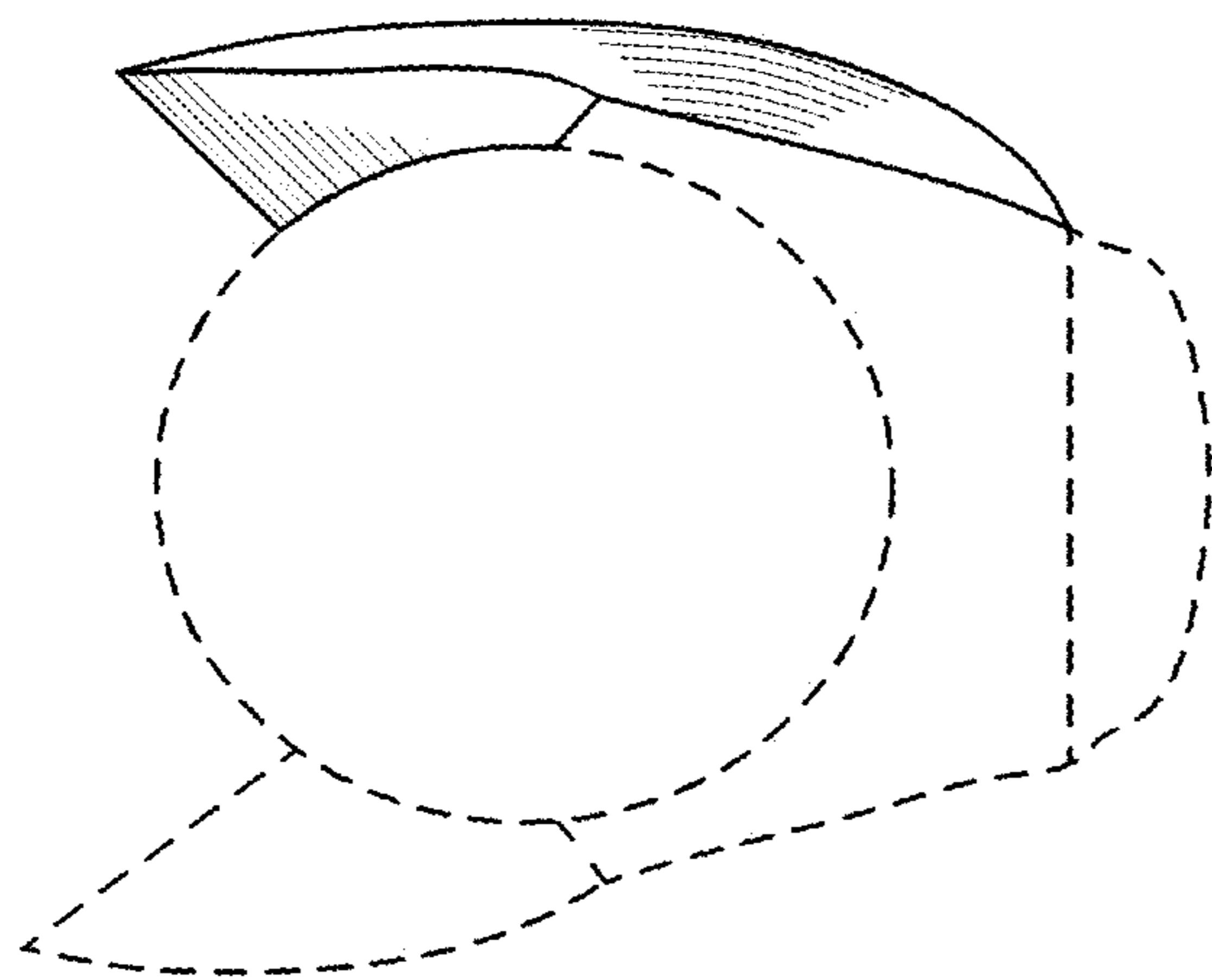


Fig. 7

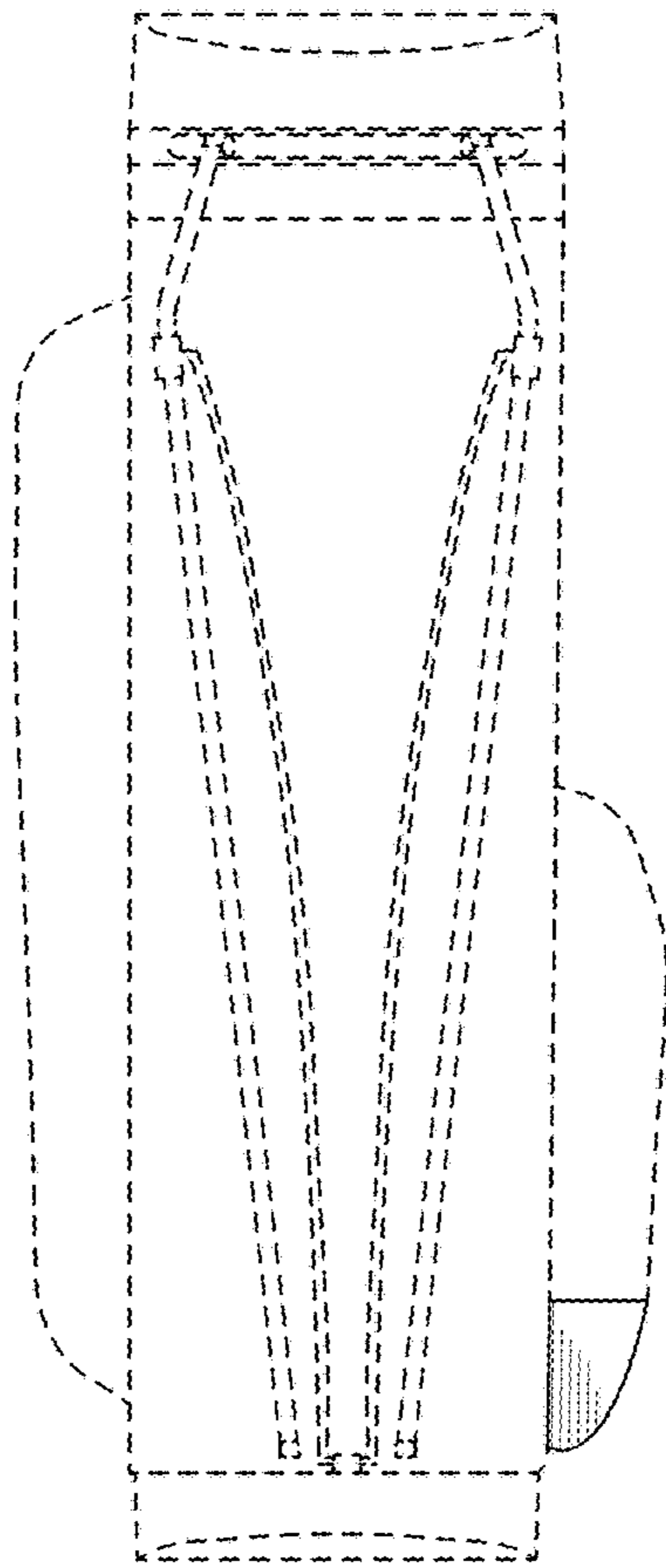


Fig. 8