



US00D804167S

(12) **United States Design Patent** (10) **Patent No.:** **US D804,167 S**
Shaholli et al. (45) **Date of Patent:** **** Dec. 5, 2017**

- (54) **BACKPACK WITH AN OWL**
- (71) Applicant: **Puku LLC**, Hollywood, CA (US)
- (72) Inventors: **Karen Shaholli**, Los Angeles, CA (US);
Brendan Hutchieson, Los Angeles, CA (US)
- (73) Assignee: **PUKU LLC**, Hollywood, CA (US)
- (**) Term: **15 Years**
- (21) Appl. No.: **29/585,690**
- (22) Filed: **Nov. 28, 2016**
- (51) **LOC (10) Cl.** **03-01**
- (52) **U.S. Cl.**
USPC **D3/216; D3/223**
- (58) **Field of Classification Search**
USPC **D3/216, 223, 318**
CPC **A45F 4/02; A45F 3/04; A45C 7/00; A45C 9/00; A45C 13/08; A45C 13/30**
See application file for complete search history.

D617,095	S	*	6/2010	Braccialini	D3/234
D617,548	S	*	6/2010	Gold	D3/216
D620,702	S	*	8/2010	Gold	D3/216
D623,238	S	*	9/2010	Gold	D3/216
D624,748	S	*	10/2010	Gold	D3/216
D685,989	S	*	7/2013	Fitl	D3/216
D720,132	S	*	12/2014	Zhou	D3/234
D722,234	S	*	2/2015	Bendavid	D3/223
D734,024	S	*	7/2015	Garcia	D3/216
D745,266	S	*	12/2015	Jabbour, Jr.	D21/604
D747,092	S	*	1/2016	Jabbour, Jr.	D21/604
9,226,565	B1	*	1/2016	Martin	A45F 4/06

* cited by examiner

Primary Examiner — Holly H Baynham
(74) *Attorney, Agent, or Firm* — Locke Lord LLP; Tim Tingkang Xia, Esq.

(57) **CLAIM**

The ornamental design for a backpack with an owl, as shown and described.

DESCRIPTION

FIG. 1 is a perspective view of a backpack with an owl, according to the design;
FIG. 2 is another perspective view thereof;
FIG. 3 is a front elevation view thereof;
FIG. 4 is a rear elevation view thereof;
FIG. 5 is a right side elevation view thereof;
FIG. 6 is a left side elevation view thereof;
FIG. 7 is a top plan view thereof; and,
FIG. 8 is a bottom plan view thereof.

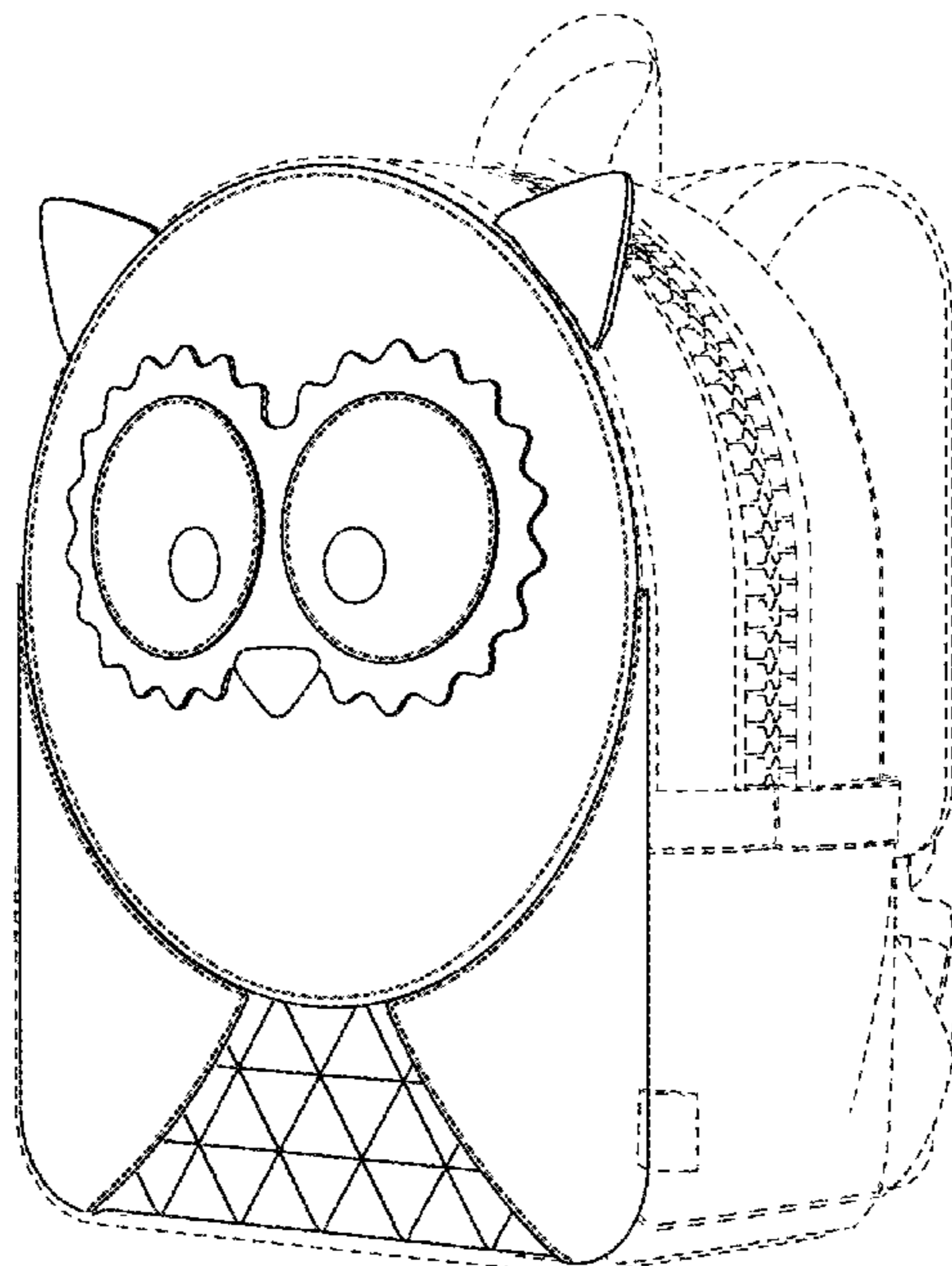
The broken lines showing of a backpack are for the purpose of illustrating environmental structures of the backpack with an owl and form no part of the claimed design.

1 Claim, 8 Drawing Sheets

(56) **References Cited**

U.S. PATENT DOCUMENTS

2,504,551	A	*	4/1950	Levinson	A45C 13/08 150/111
D335,027	S	*	4/1993	Flood	D21/655
D358,476	S	*	5/1995	Winkos	D3/235
D372,357	S	*	8/1996	Woods	D3/234
D438,700	S	*	3/2001	Willingham	A45F 3/04 D3/216
6,510,974	B2	*	1/2003	Willingham	A45C 7/0095 190/16
D606,746	S	*	12/2009	Braccialini	D3/238
D614,398	S	*	4/2010	Gold	D3/216



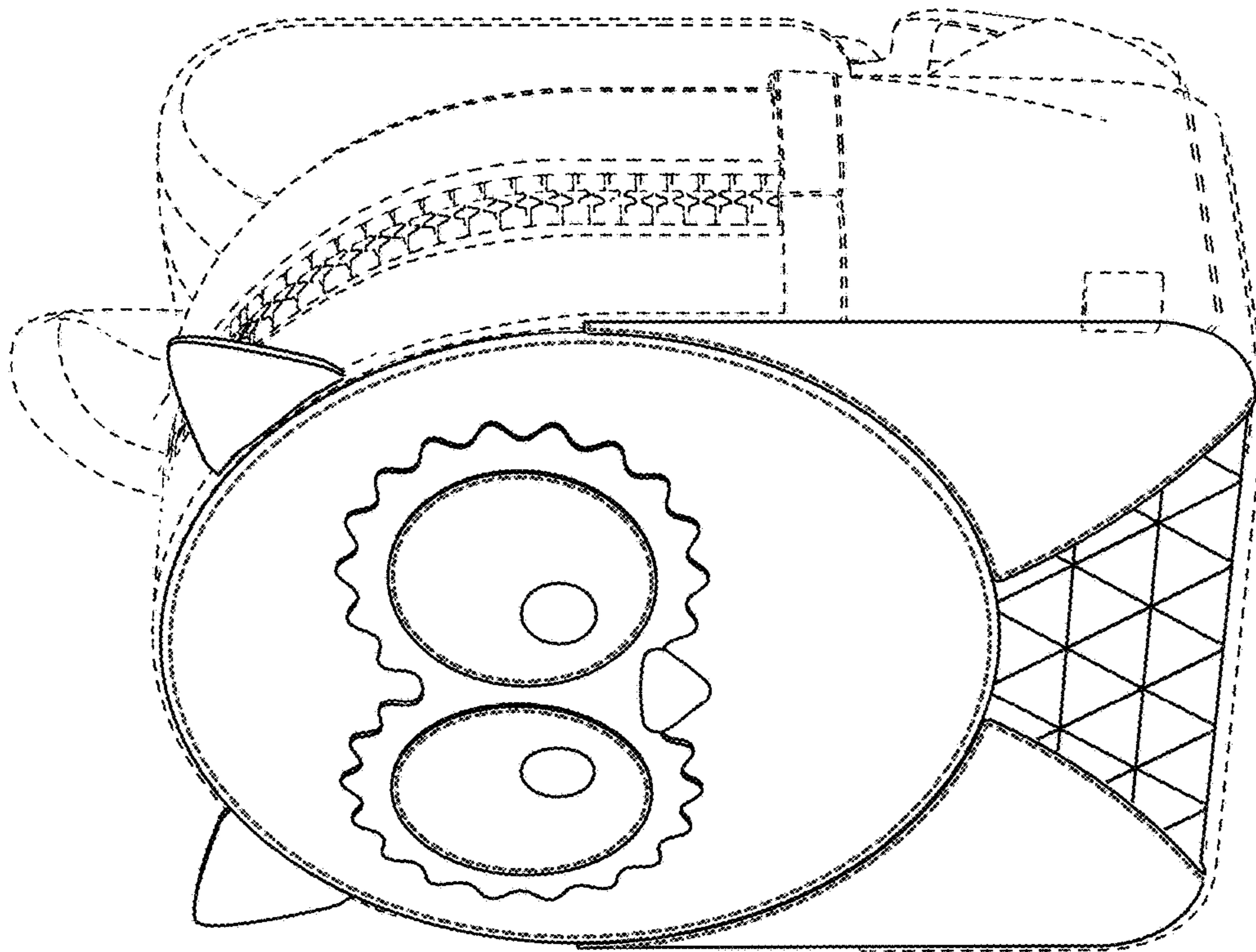


FIG. 1

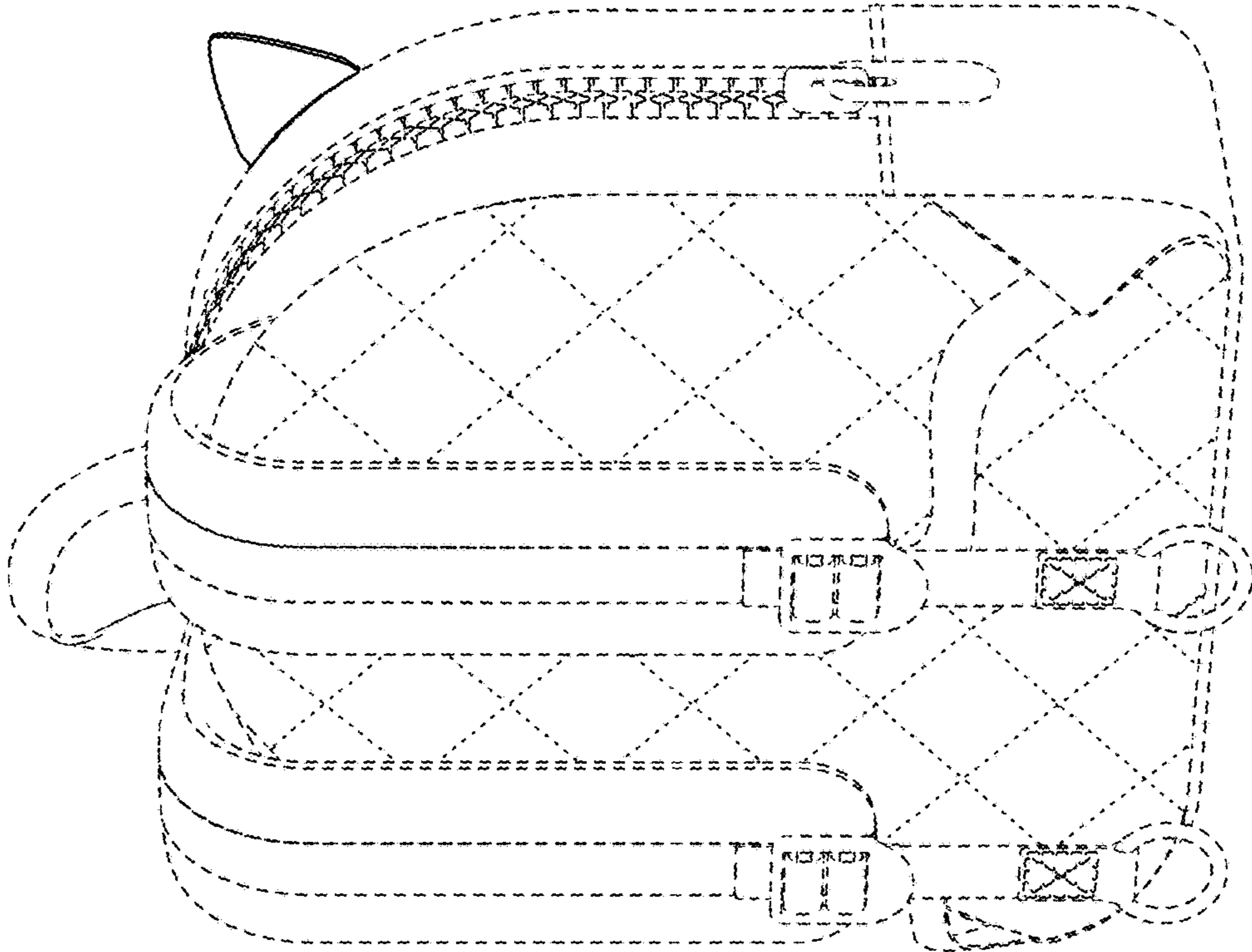


FIG. 2

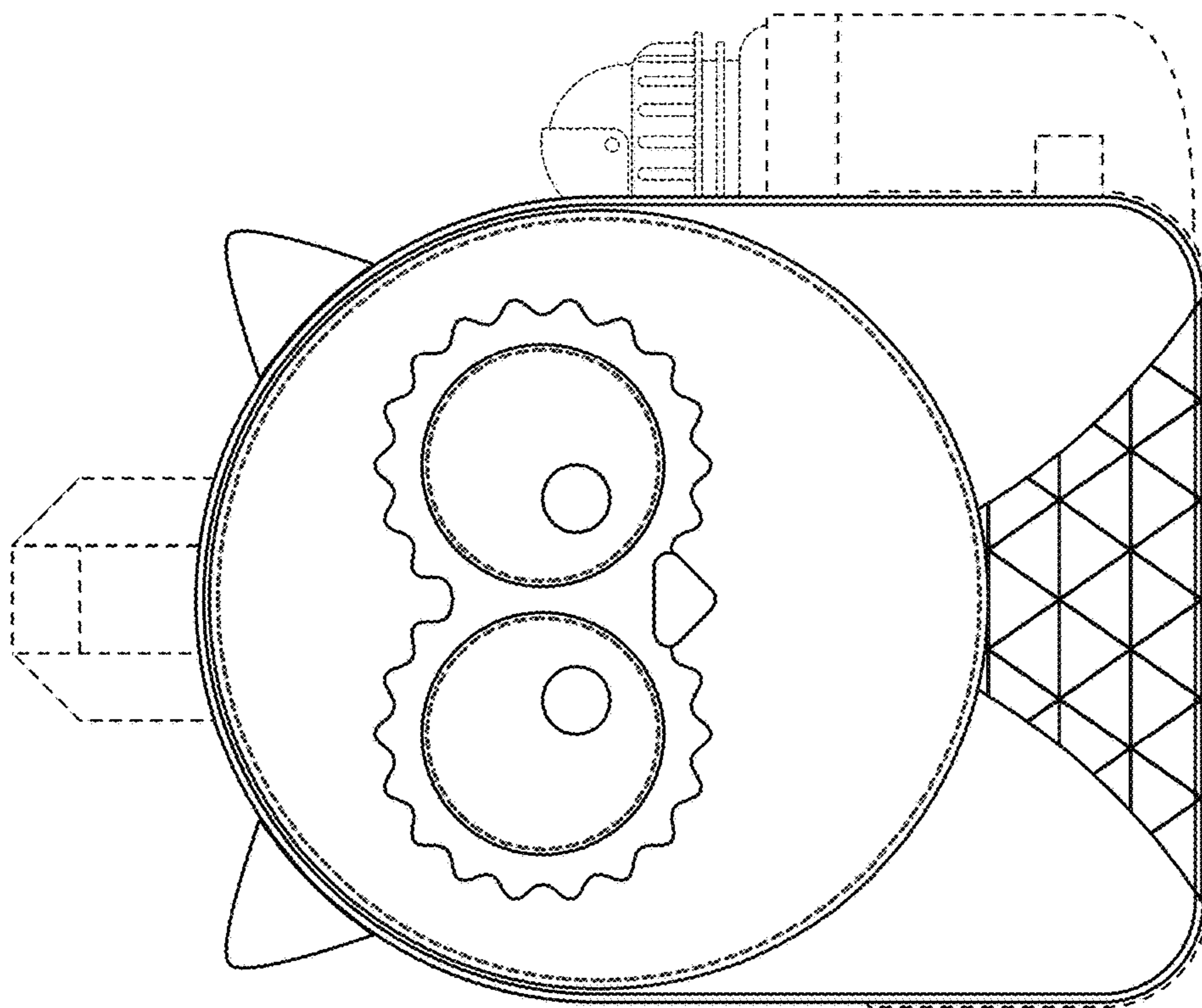


FIG. 3

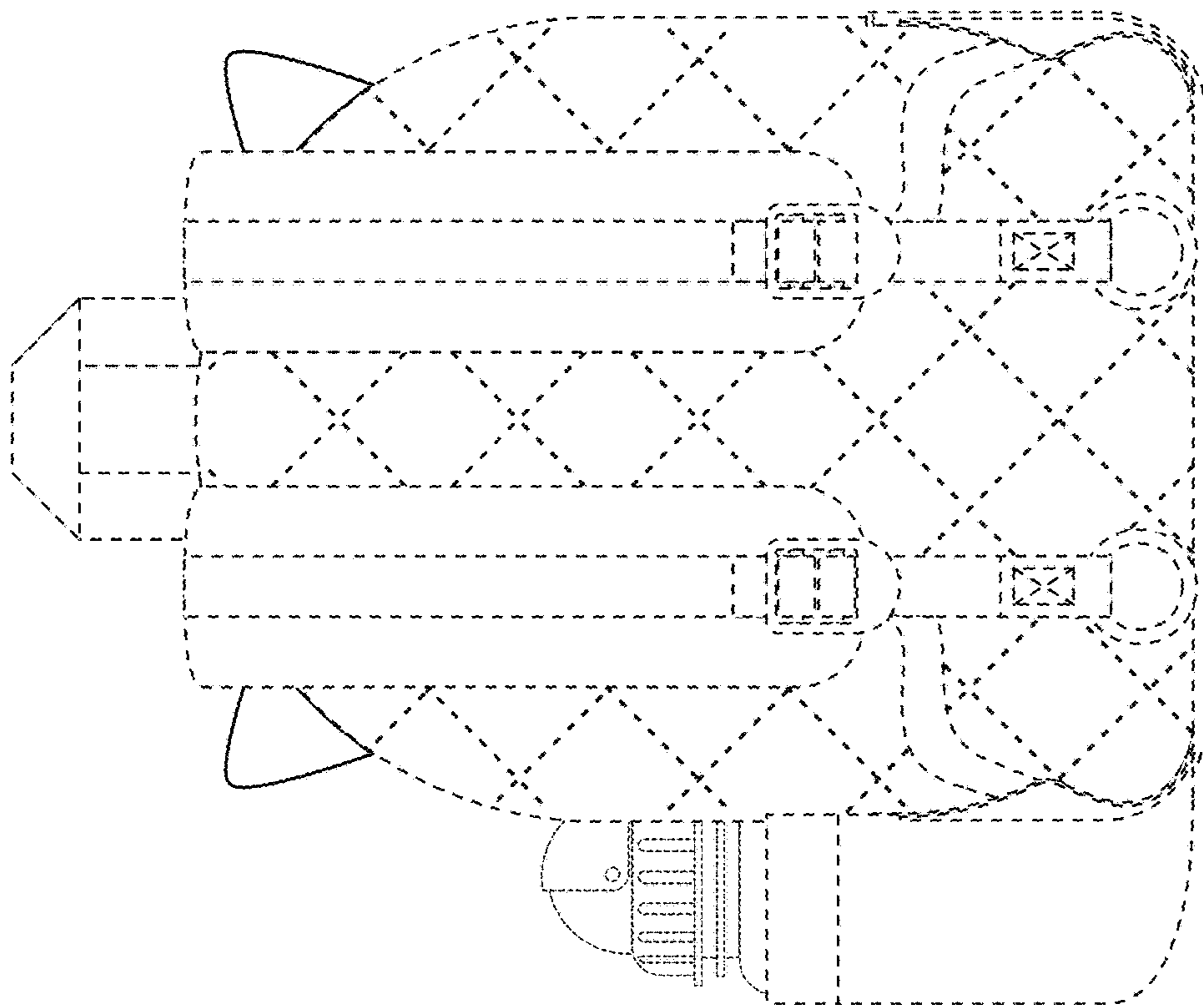


FIG. 4

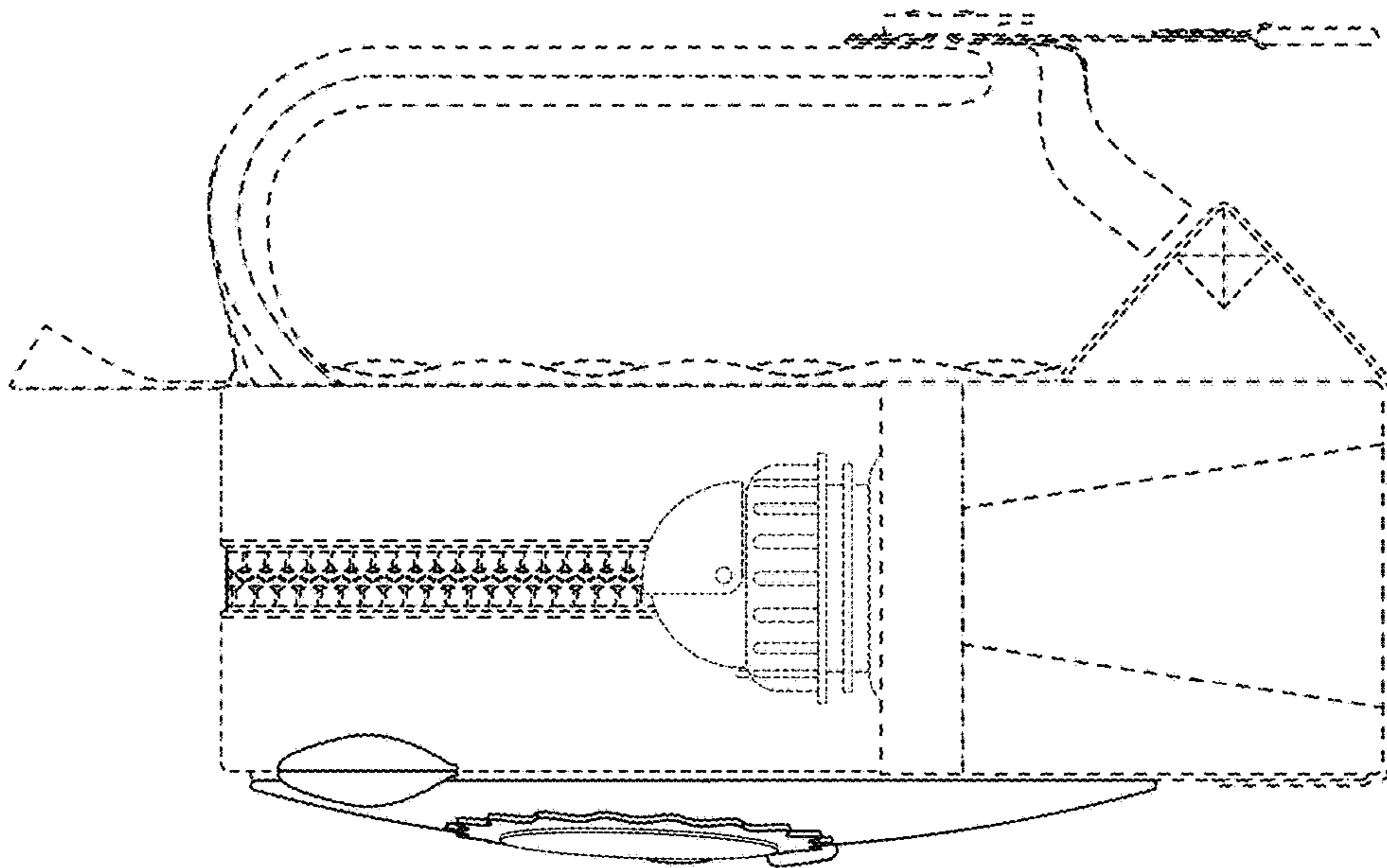


FIG. 5

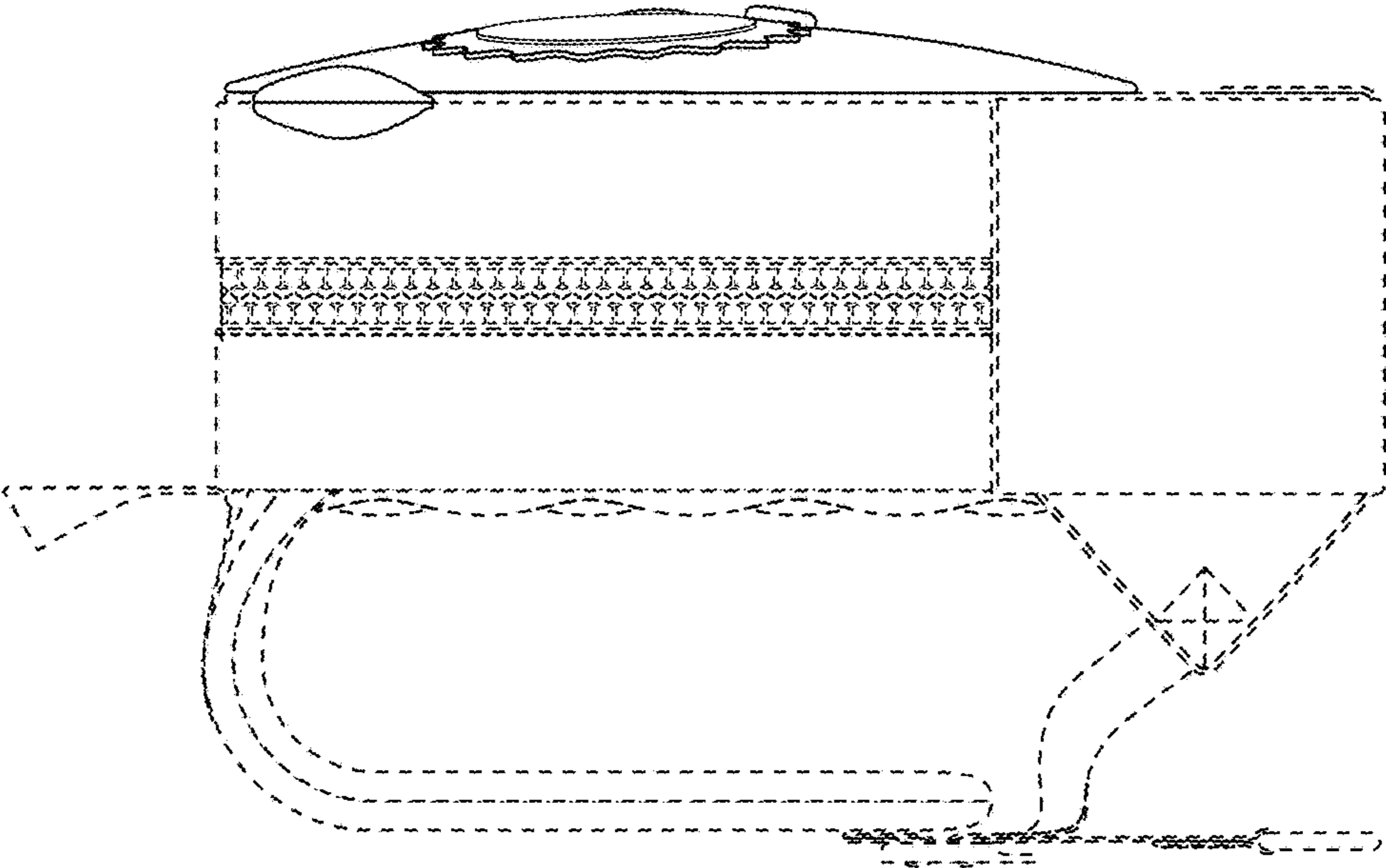


FIG. 6

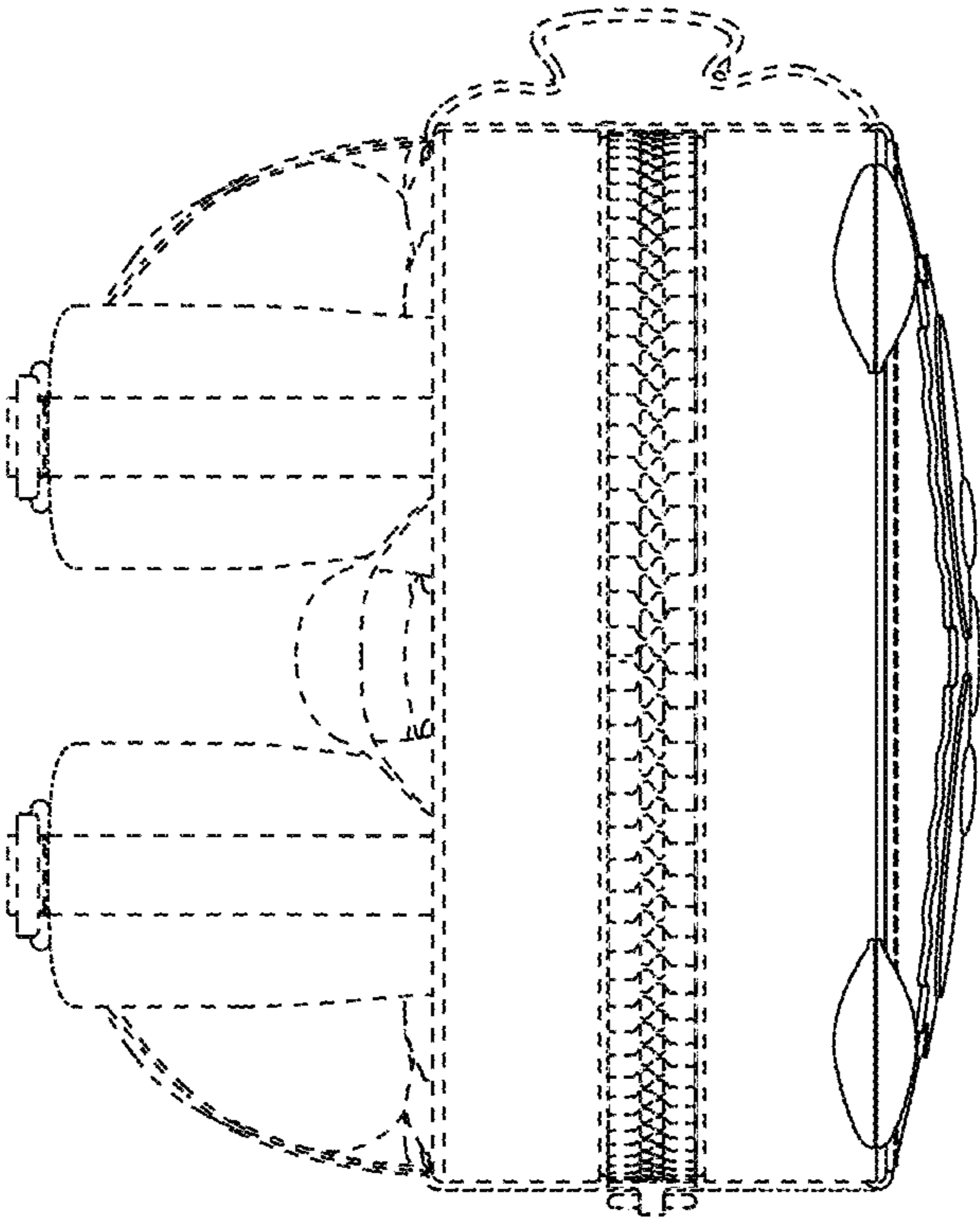


FIG. 7

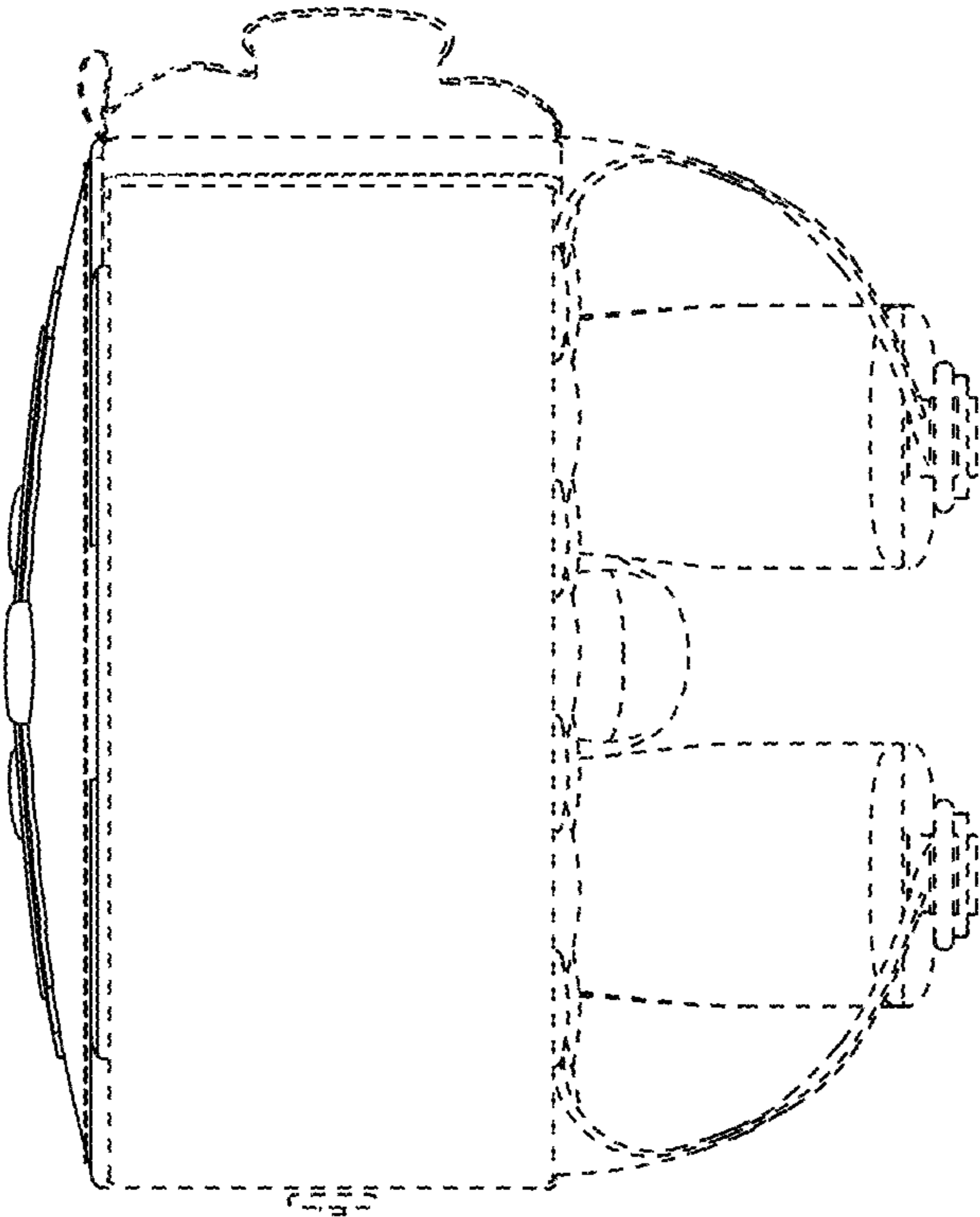


FIG. 8