



US00D804165S

(12) **United States Design Patent** (10) **Patent No.:** **US D804,165 S**  
**Parker** (45) **Date of Patent:** **\*\* Dec. 5, 2017**

(54) **KEY RING SCREWDRIVER**  
(71) Applicant: **Chadwick Sterling Parker,**  
Schaumburg, IL (US)  
(72) Inventor: **Chadwick Sterling Parker,**  
Schaumburg, IL (US)  
(\*\*) Term: **15 Years**  
(21) Appl. No.: **29/567,955**

D486,051 S \* 2/2004 Parry ..... D8/82  
7,249,543 B1 \* 7/2007 Pomerantz ..... B25B 15/00  
7/165  
7,293,312 B2 \* 11/2007 Chmelar ..... A63C 17/0006  
7/138  
D588,885 S \* 3/2009 Barber ..... D8/105  
D687,285 S \* 8/2013 Thomas ..... D8/85  
8,621,961 B2 \* 1/2014 Burch ..... B25B 15/02  
7/107  
D733,516 S \* 7/2015 Kelleghan ..... D8/105  
D739,713 S \* 9/2015 Kelleghan ..... D8/356  
D758,824 S \* 6/2016 Kelleghan ..... D8/105

(Continued)

(22) Filed: **Jun. 14, 2016**  
(51) **LOC (10) Cl.** ..... **03-01**  
(52) **U.S. Cl.**  
USPC ..... **D3/210; D8/87**  
(58) **Field of Classification Search**  
USPC ..... D8/14, 26, 82-87, 105; D3/207, 208,  
D3/210  
CPC ..... A44B 15/002; B25B 13/44; B25B 13/48;  
B25B 15/00; B25B 15/02; B25F 1/02;  
F16B 2/245  
See application file for complete search history.

**OTHER PUBLICATIONS**

2Pcs Silver Black Perfect Multitools Key Ring Screwdriver. Down-  
loaded from <https://www.aliexpress.com/item/2Pcs-Silver-Black-Perfect-Multitools-Key-Ring-Screwdr...> on Jun. 17, 2017.\*

(Continued)

*Primary Examiner* — Philip S Hyder  
*Assistant Examiner* — Roselynn Cody  
(74) *Attorney, Agent, or Firm* — Dunlap Bennett &  
Ludwig PLLC; Brendan Squire

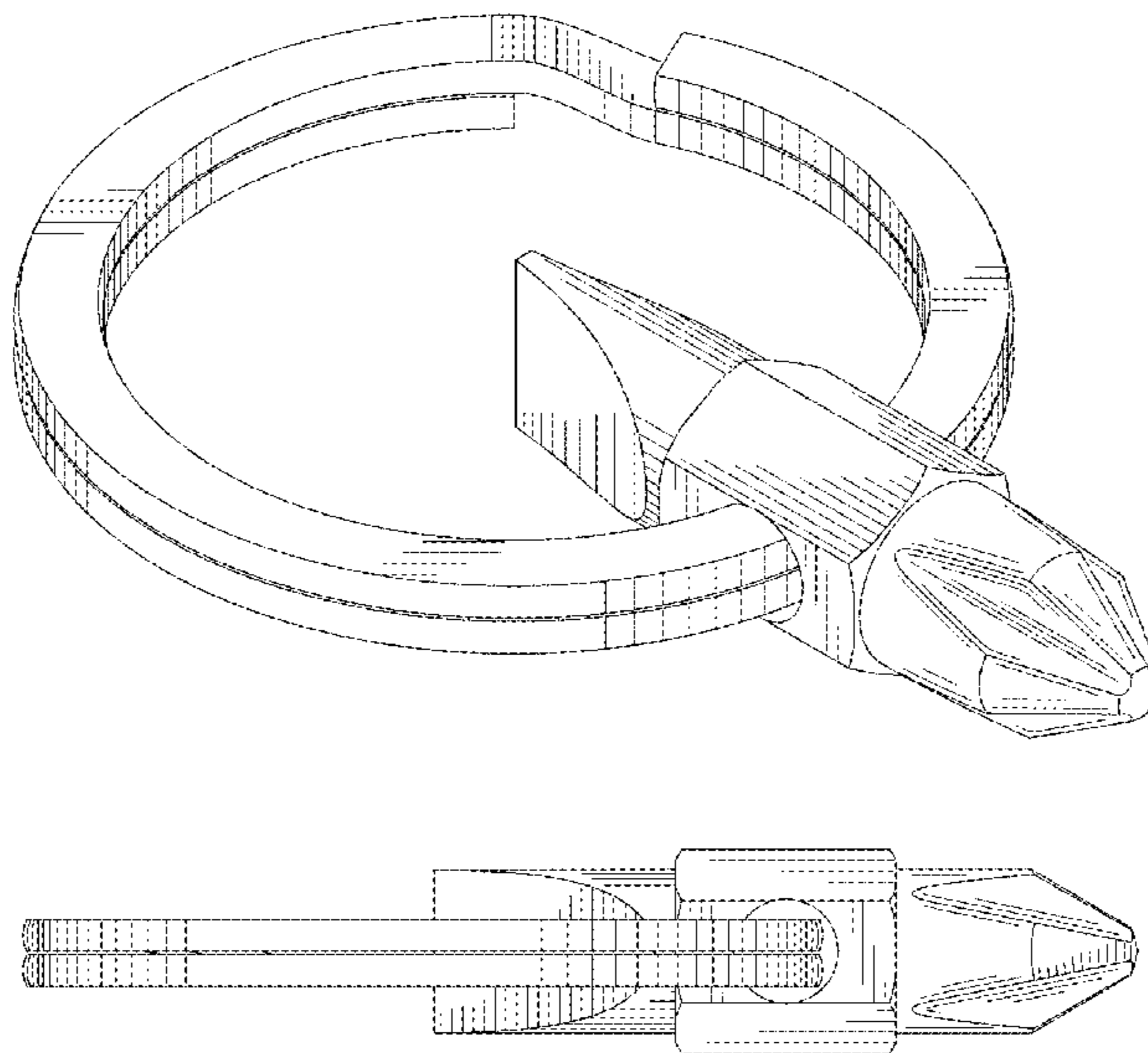
(56) **References Cited**  
**U.S. PATENT DOCUMENTS**  
851,351 A \* 4/1907 Hanley ..... B25B 13/48  
7/138  
D167,058 S \* 6/1952 Rhodes ..... 81/440  
D180,643 S \* 7/1957 Fitch ..... 81/439  
D197,915 S \* 4/1964 Ayars ..... 7/164  
D206,852 S \* 1/1967 Hedu ..... D22/149  
D229,390 S \* 11/1973 Hart ..... D8/85  
D302,514 S \* 8/1989 Gates ..... D8/105  
5,179,748 A \* 1/1993 Lipic ..... A44B 15/002  
7/165  
D344,664 S \* 3/1994 Malkinson ..... D8/85  
D435,764 S \* 1/2001 Schuster ..... D8/14  
D436,305 S \* 1/2001 Schuster ..... D8/356  
6,592,219 B1 \* 7/2003 Tsai ..... B25B 13/44  
351/41

(57) **CLAIM**  
The ornamental design for a key ring screwdriver, as shown  
and described.

**DESCRIPTION**

FIG. 1 is a top front perspective view of the key ring  
screwdriver;  
FIG. 2 is a top plan view thereof;  
FIG. 3 is a bottom plan view thereof;  
FIG. 4 is a front elevation view thereof;  
FIG. 5 is a rear elevation view thereof;  
FIG. 6 is a right elevation view thereof; and,  
FIG. 7 is a left elevation view thereof.

**1 Claim, 3 Drawing Sheets**



(56)

**References Cited**

U.S. PATENT DOCUMENTS

2006/0225257 A1\* 10/2006 Michelin ..... F16B 2/245  
24/530  
2013/0263702 A1\* 10/2013 Berman ..... B25F 1/02  
81/177.4

OTHER PUBLICATIONS

Engineer Bit Pit, and EDC Screwdriver Bit Holder. Downloaded from <http://toolguyd.com/engineer-bit-pit-and-edc-screwdriver-bit-holder/> on Jun. 17, 2017.\*

Kickstarter: Titanium Screwdriver Bit and Key Ring. Downloaded from <http://toolguyd.com/titanium-screwdriver-bit-kickstarter/> on Jun. 17, 2017.\*

\* cited by examiner

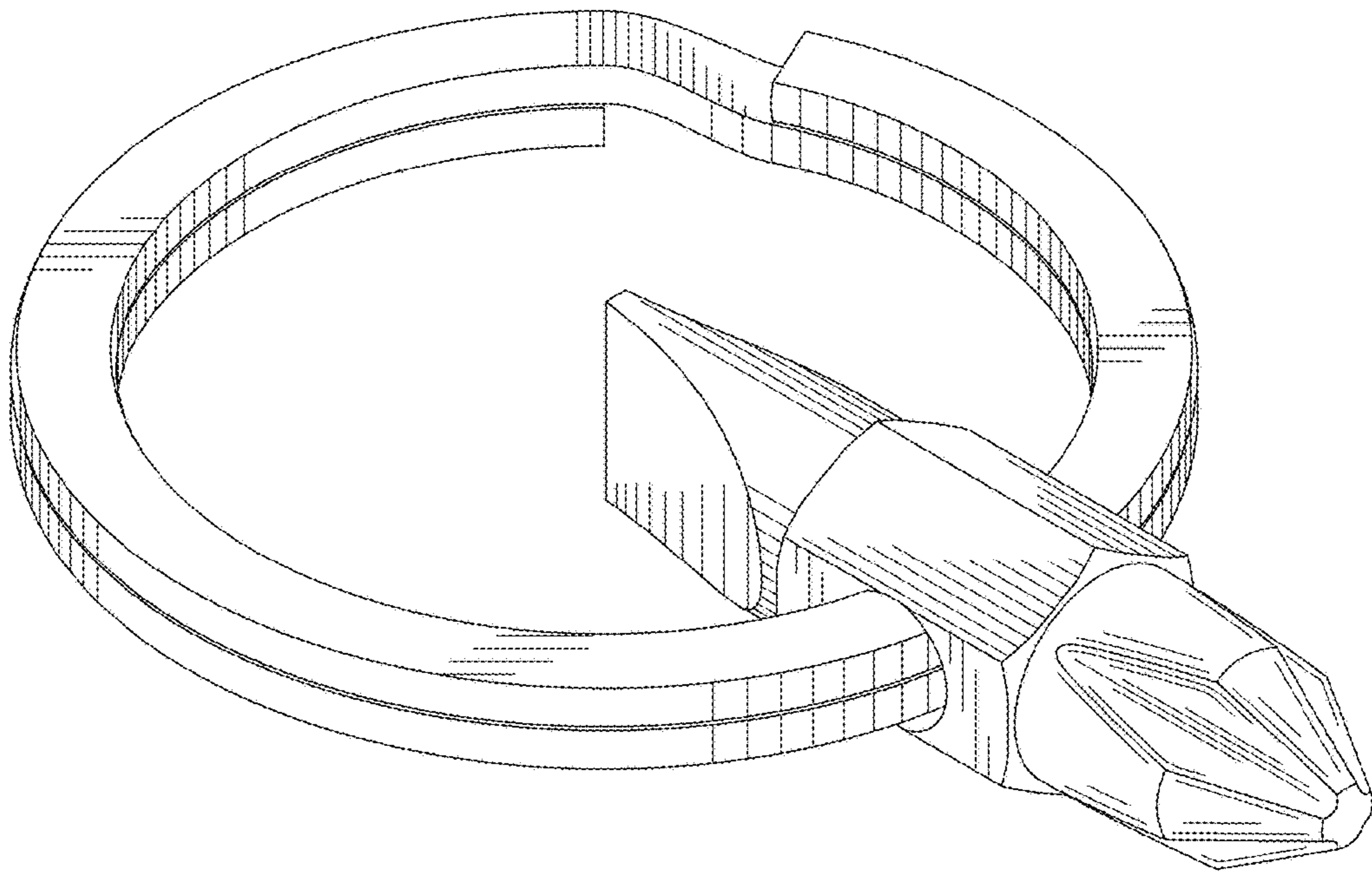


FIG. 1

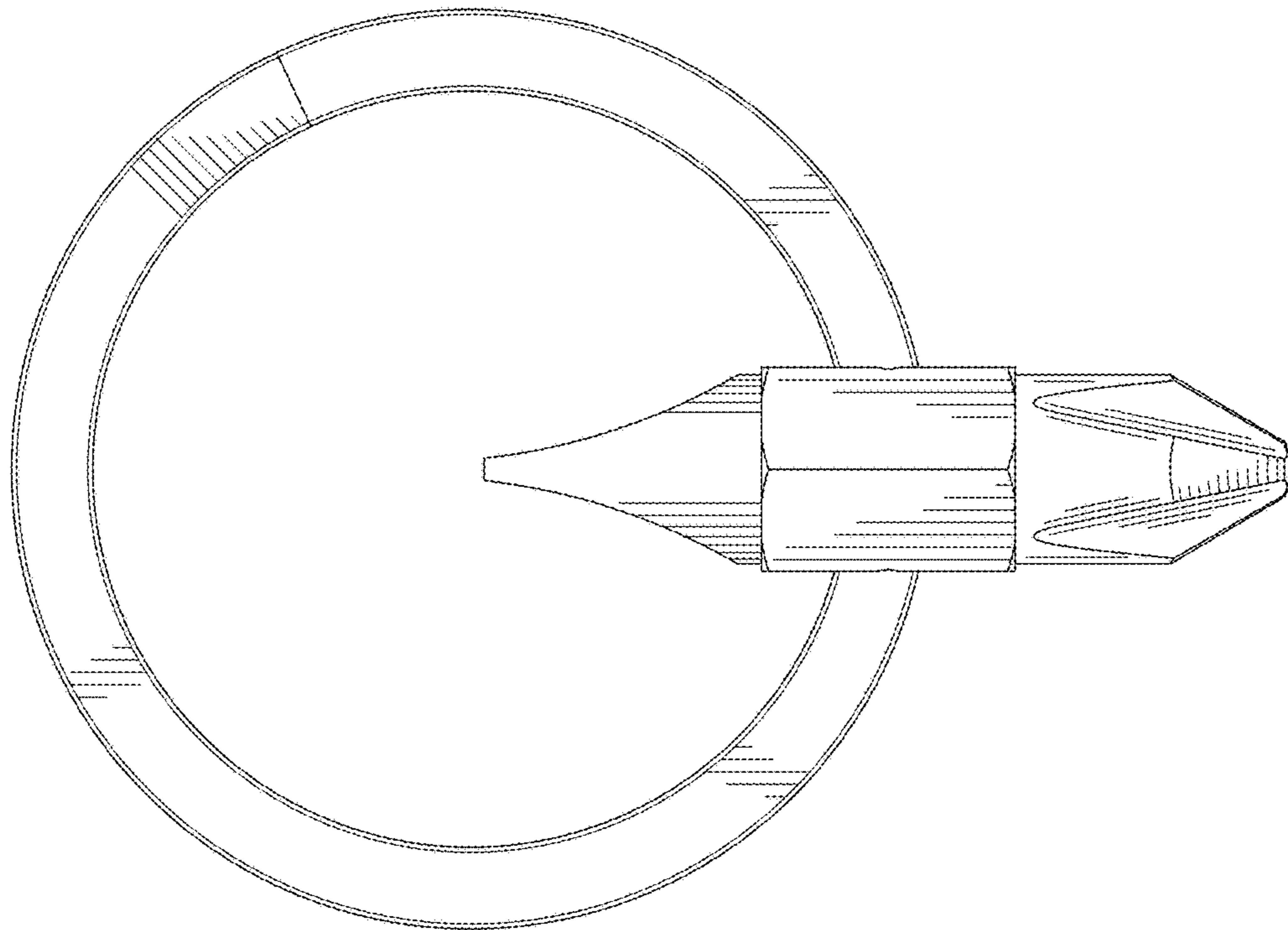


FIG. 2

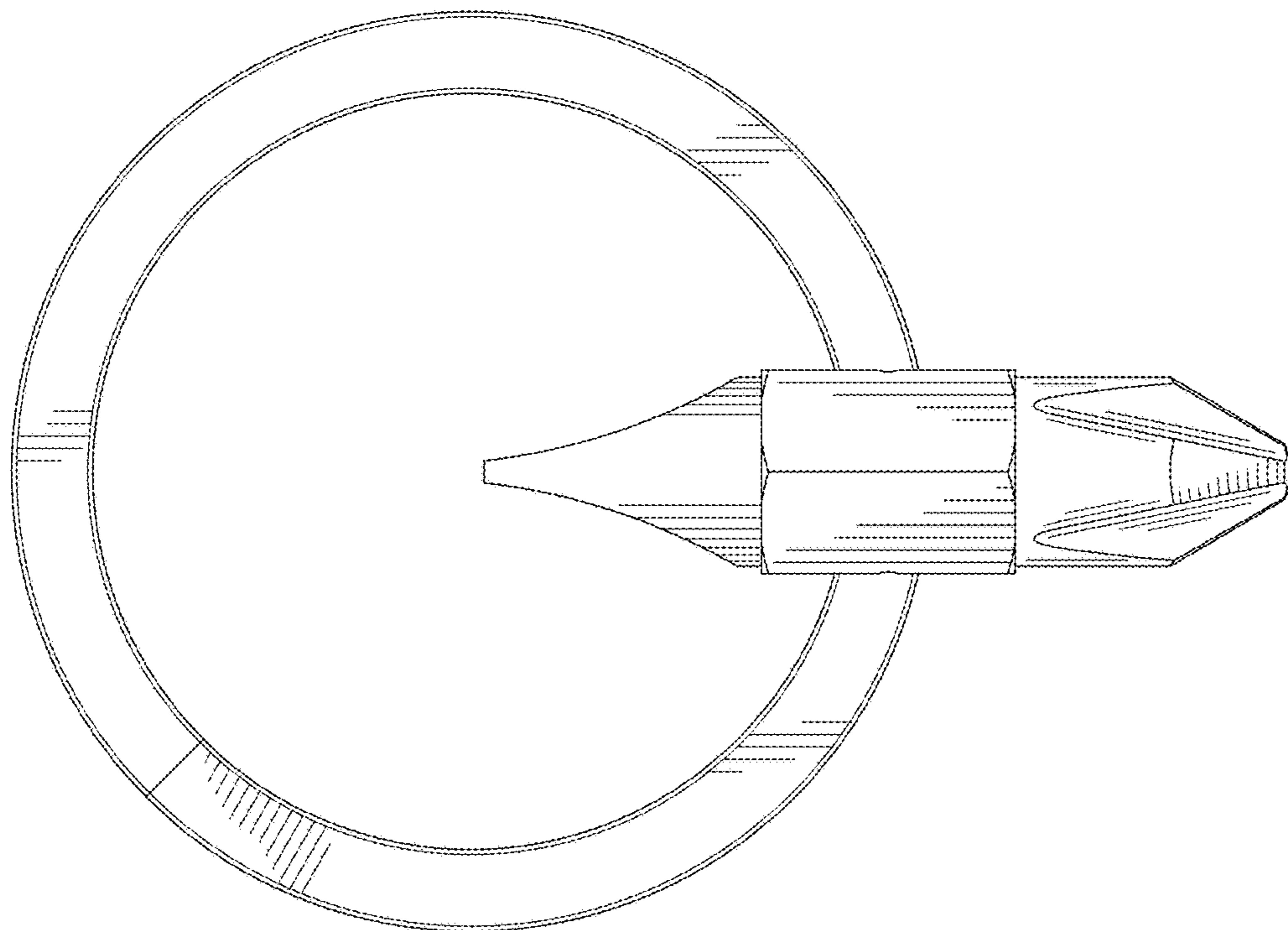


FIG. 3



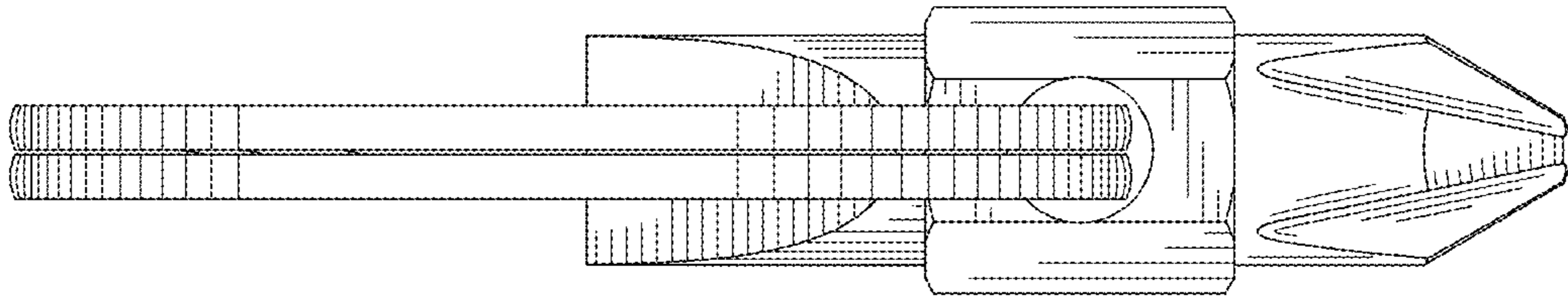


FIG. 4

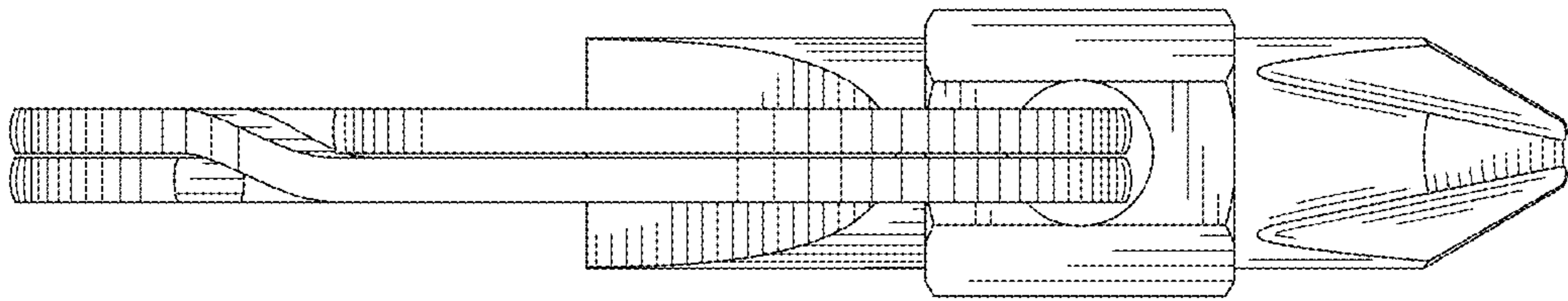


FIG. 5

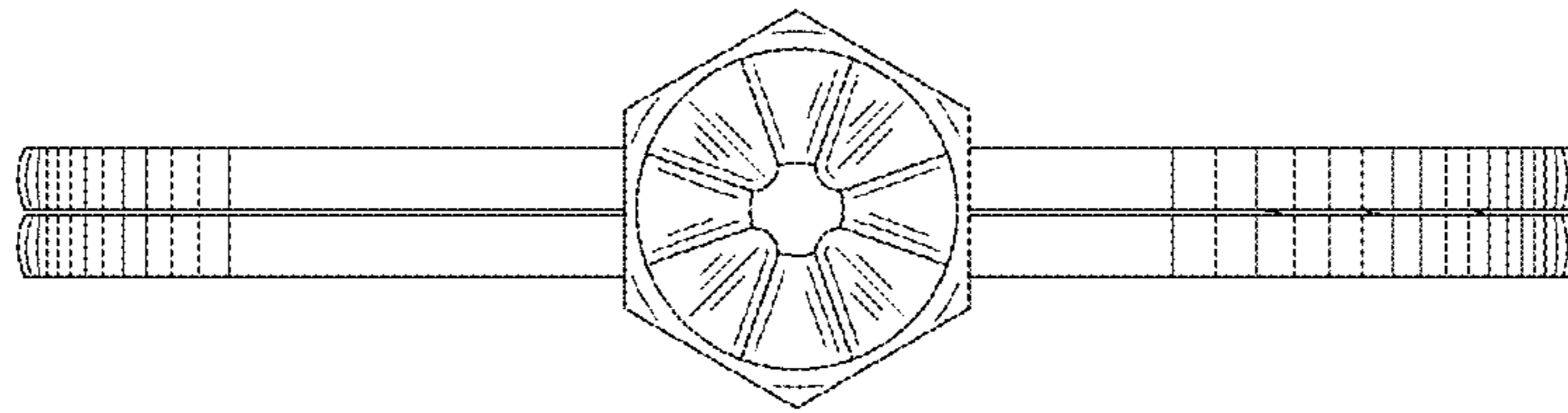


FIG. 6

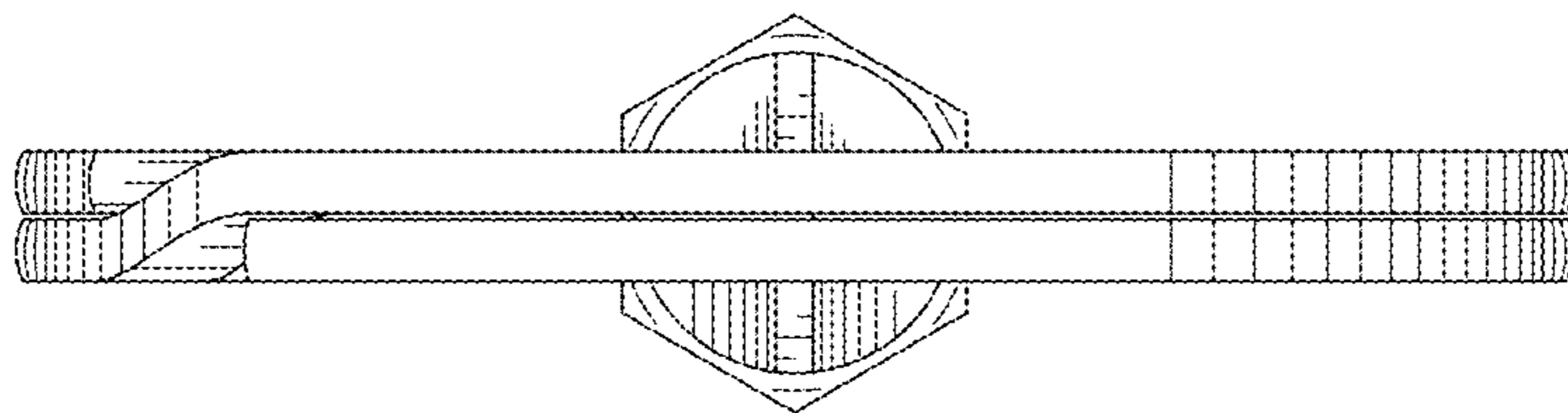


FIG. 7