



US00D804152S

(12) **United States Design Patent**  
**Combs**

(10) **Patent No.:** **US D804,152 S**

(45) **Date of Patent:** **\*\* Dec. 5, 2017**

(54) **REVERSIBLE VISOR CAP**

(71) Applicant: **William Miles Combs**, Lihue, HI (US)

(72) Inventor: **William Miles Combs**, Lihue, HI (US)

(\*\*) Term: **15 Years**

(21) Appl. No.: **29/571,533**

(22) Filed: **Jul. 19, 2016**

(51) **LOC (10) Cl.** ..... **02-03**

(52) **U.S. Cl.**  
USPC ..... **D2/876**

(58) **Field of Classification Search**  
USPC ..... D2/865, 866, 869, 871, 872, 876, 879,  
D2/882, 884, 891, 893, 895; D29/109  
CPC ..... A42B 1/00; A42B 1/002; A42B 1/006;  
A42B 1/062; A42B 1/064; A42B 5/00  
See application file for complete search history.

(56) **References Cited**

**U.S. PATENT DOCUMENTS**

4,896,375	A *	1/1990	Colucci	.....	A42B 1/062
					2/12
D329,444	S *	9/1992	Rauch	.....	D2/876
D399,991	S *	10/1998	Minkinen	.....	D2/865
D459,861	S *	7/2002	Park	.....	D2/876
D510,177	S *	10/2005	Kim	.....	D2/876
D527,870	S *	9/2006	Kim	.....	D2/876
D557,479	S *	12/2007	McGrath	.....	D2/882
D602,679	S *	10/2009	Wong	.....	D2/876

D613,930	S *	4/2010	Poag	.....	D2/876
D621,590	S *	8/2010	Martin	.....	D2/879
D641,961	S *	7/2011	Kim	.....	D2/882
8,434,166	B2 *	5/2013	Friton	.....	A42B 1/06
					2/171.03
D684,754	S *	6/2013	Kim	.....	D2/882

\* cited by examiner

*Primary Examiner* — Karen E Eldridge Powers

*Assistant Examiner* — Jasmine Mlinarcik

(74) *Attorney, Agent, or Firm* — Dunlap Bennett & Ludwig PLLC

(57) **CLAIM**

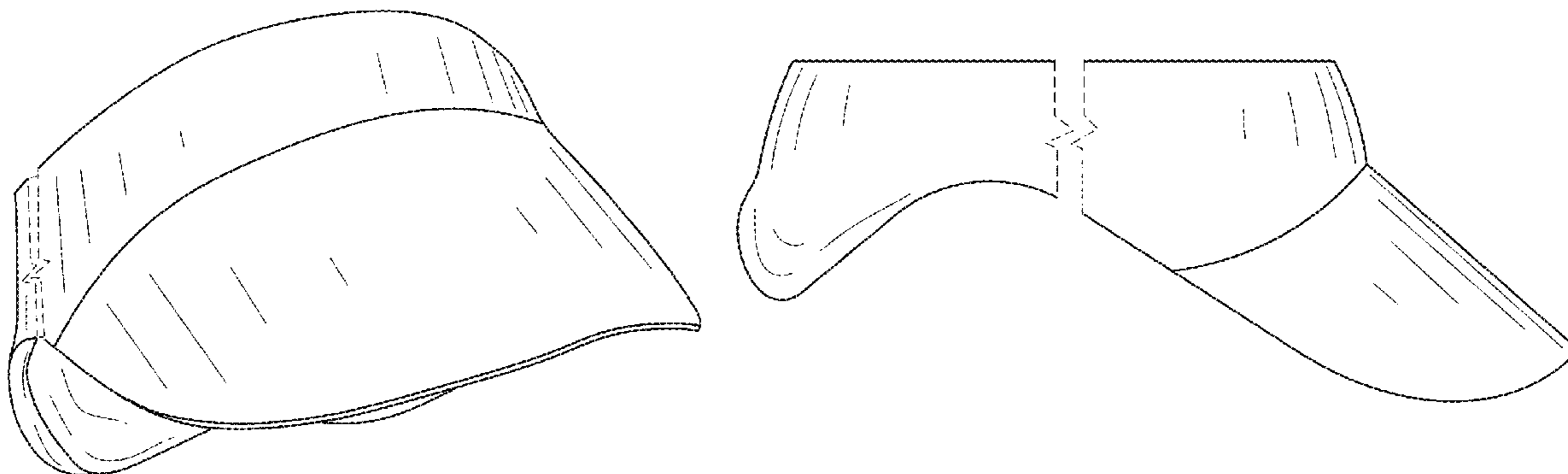
The ornamental design for a reversible visor cap, as shown and described.

**DESCRIPTION**

FIG. 1 is a perspective view of the reversible visor cap showing my new design;  
FIG. 2 is a front elevation view thereof;  
FIG. 3 is a rear elevation view thereof;  
FIG. 4 is a left side elevation view thereof, the right side elevation view being a mirror image thereof;  
FIG. 5 is a top plan view thereof; and,  
FIG. 6 is a bottom plan view thereof.

The reversible visor cap is shown with a symbolic break in its length. The appearance of any portion of the article between the break lines forms no part of the claimed design. The symbolic break lines rendered by broken lines along the length of the visor form no part of the claimed design.

**1 Claim, 3 Drawing Sheets**



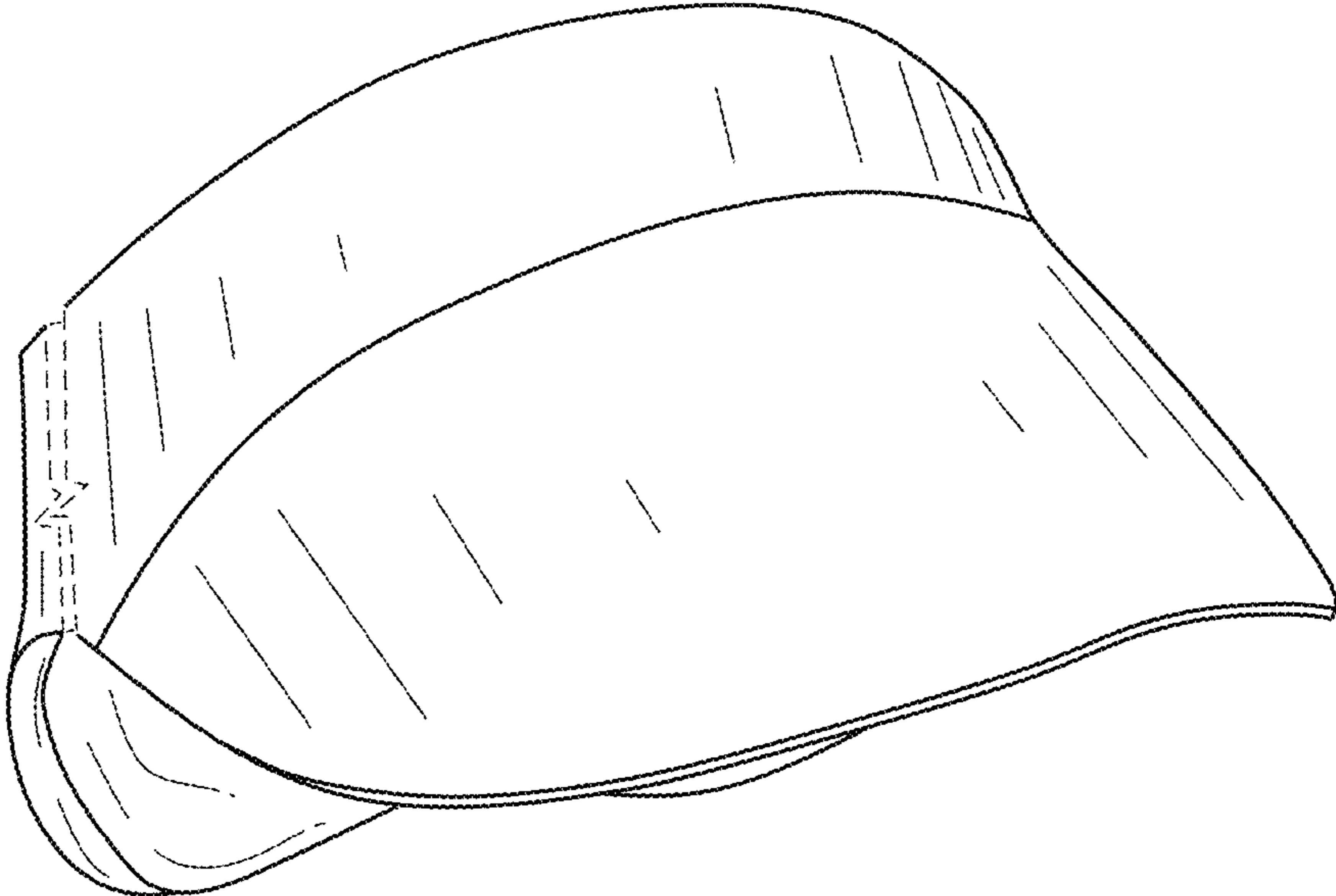


FIG. 1

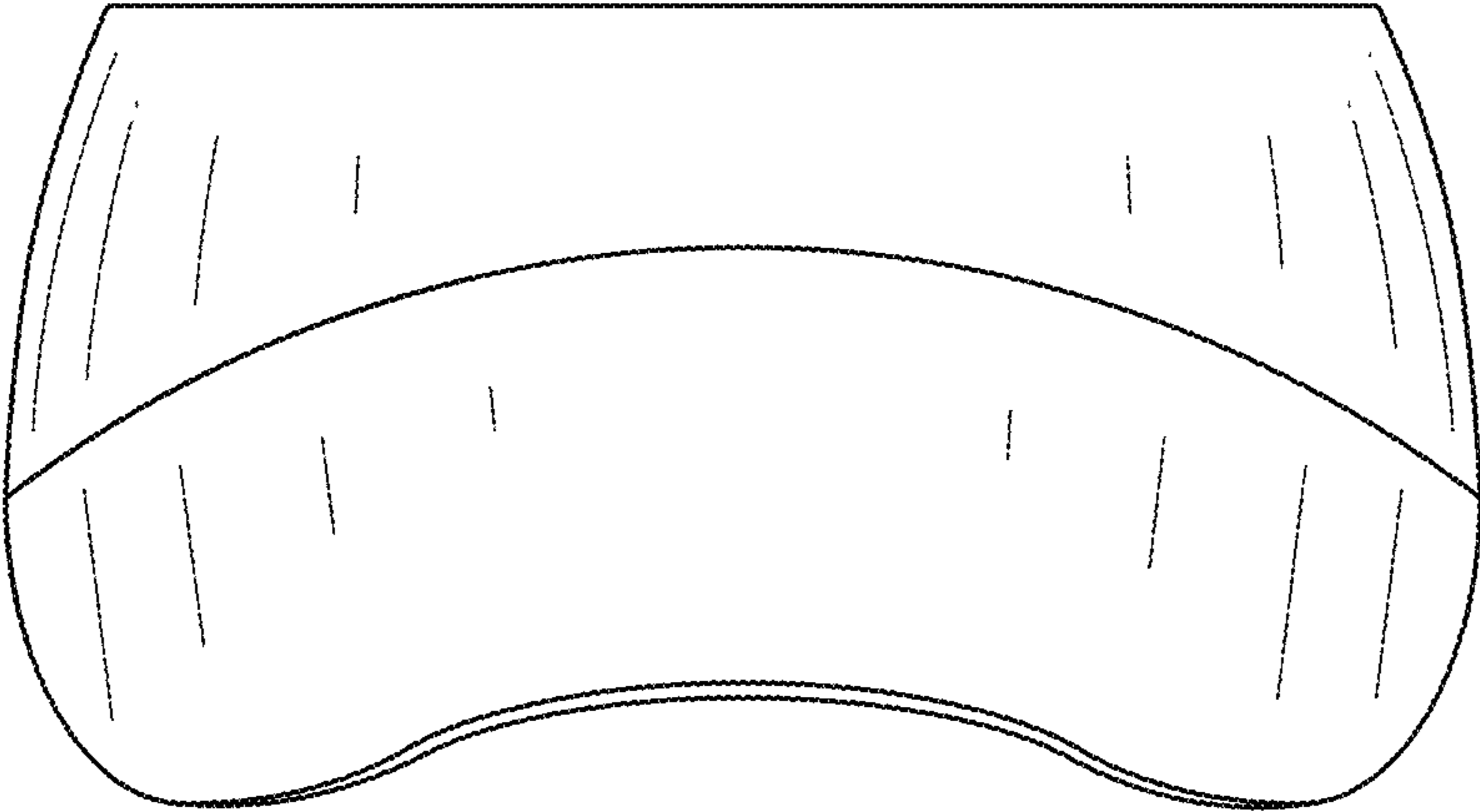


FIG. 2

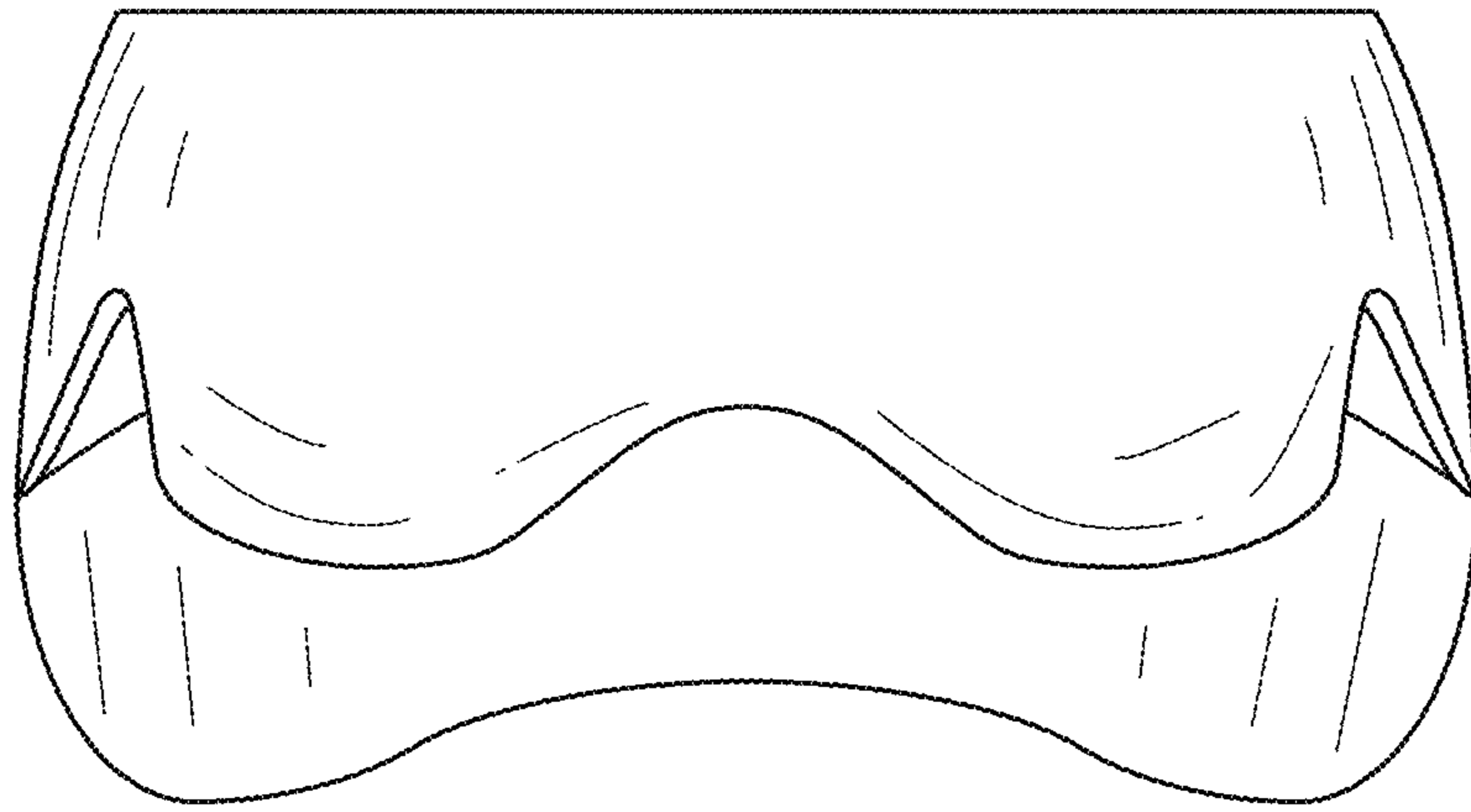


FIG. 3

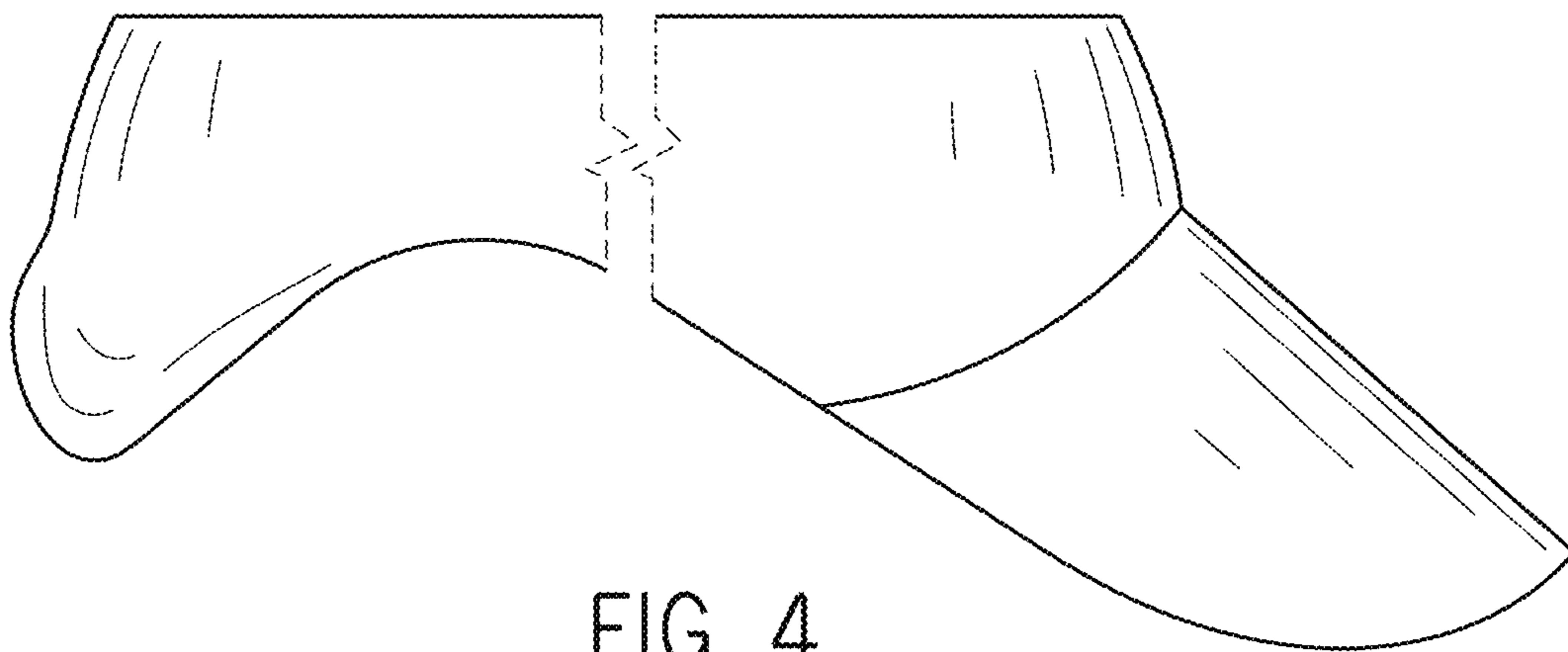


FIG. 4

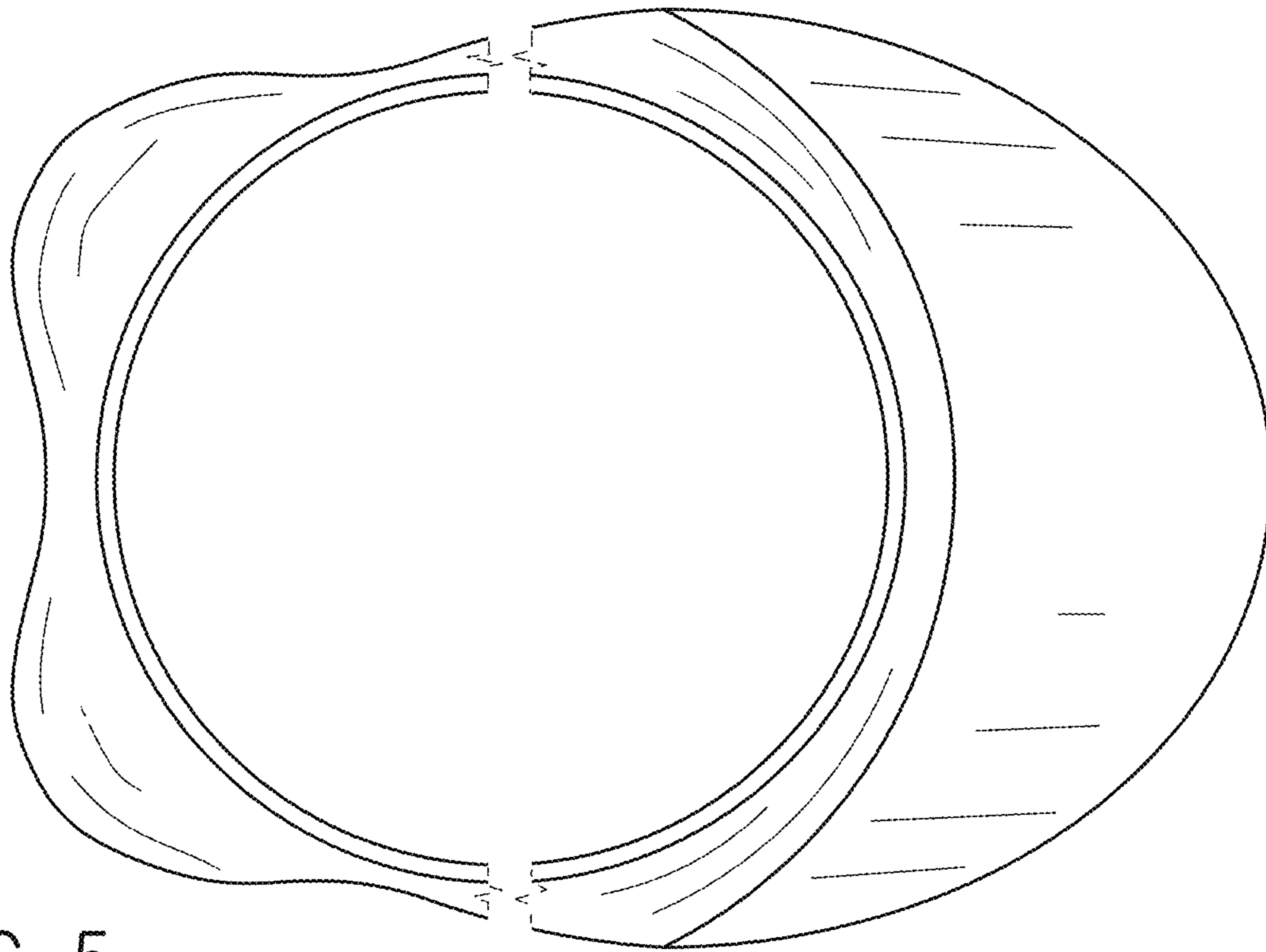


FIG. 5

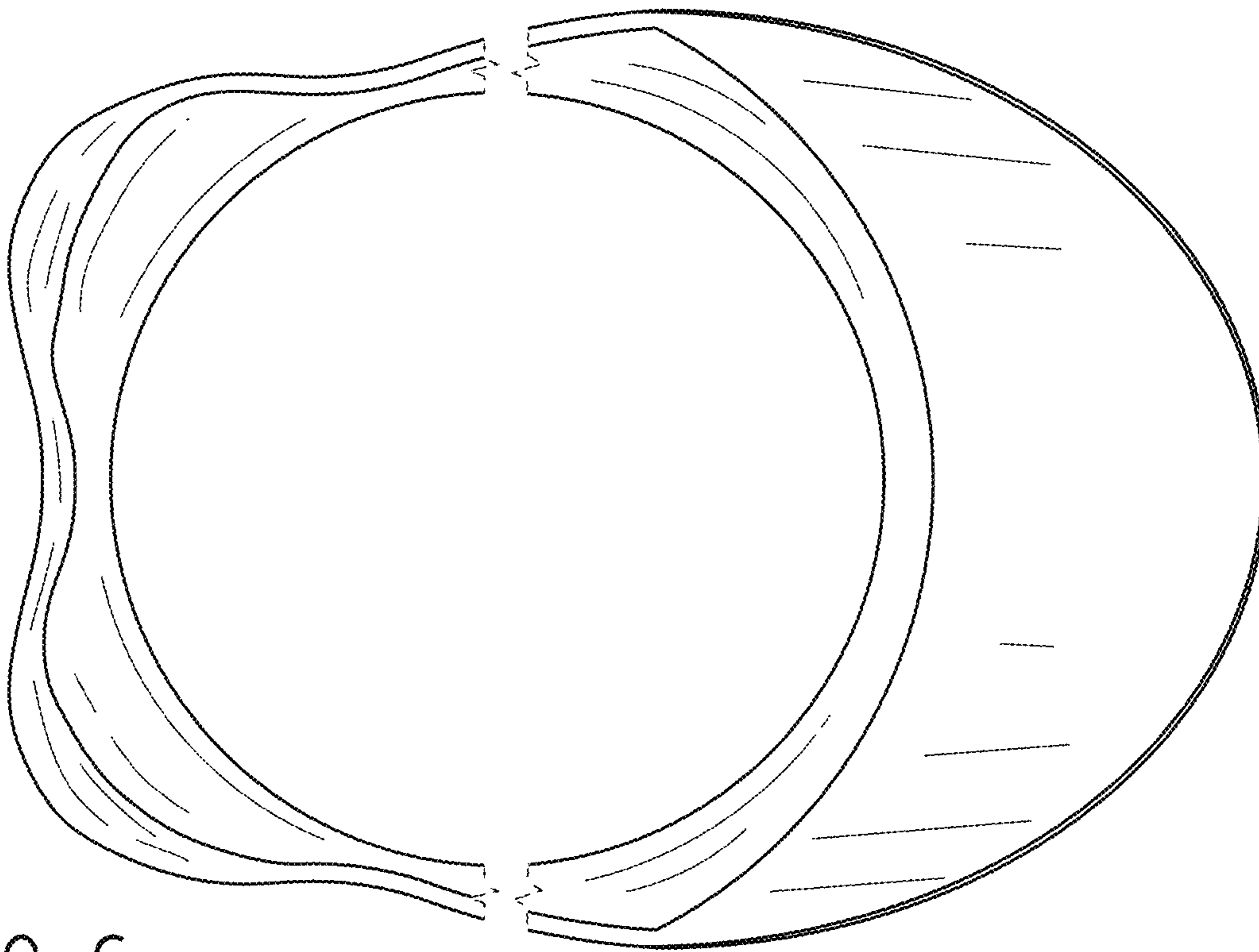


FIG. 6