

US00D804150S

(12) **United States Design Patent** (10) **Patent No.:** **US D804,150 S**
Djuliardjo et al. (45) **Date of Patent:** **** Dec. 5, 2017**

(54) **COMBINED BIB AND BURPING SHIELD**
(71) Applicants: **Rudy Djuliardjo**, Houston, TX (US);
Francisca Sari, Houston, TX (US)
(72) Inventors: **Rudy Djuliardjo**, Houston, TX (US);
Francisca Sari, Houston, TX (US)
(**) Term: **15 Years**

D758,051 S * 6/2016 Feeley D2/864
9,386,806 B2 * 7/2016 Bailey A41B 13/10
D772,538 S * 11/2016 Jay D2/862
2005/0235394 A1 10/2005 Pew
2006/0010558 A1 1/2006 Prater
2007/0143904 A1 * 6/2007 Brown A41B 13/103
2/49.1
2008/0250541 A1 10/2008 Chen
2013/0055483 A1 3/2013 Moreno
2013/0086725 A1 * 4/2013 Sabre A41B 13/10
2/49.2
2014/0250558 A1 9/2014 Russo

(21) Appl. No.: **29/549,877**

(22) Filed: **Dec. 29, 2015**

(51) **LOC (10) Cl.** **02-02**

(52) **U.S. Cl.**
USPC **D2/861**

(58) **Field of Classification Search**
USPC D14/715, 724, 725, 739, 750, 753, 759,
D14/760, 780, 828, 853, 854, 860-864
CPC A41D 13/00; A41D 13/04; A41D 13/0556;
A41D 13/0537; A41D 27/02; A41D
27/12; A41D 27/20; A41D 27/205; A45D
44/08
See application file for complete search history.

FOREIGN PATENT DOCUMENTS

WO WO2004012538 2/2004

* cited by examiner

Primary Examiner — John Windmuller
Assistant Examiner — Benjamin Weeks
(74) *Attorney, Agent, or Firm* — Goldstein Law Office,
P.C.

(57) **CLAIM**

The ornamental design for a combined bib and burping shield, as shown and described.

(56) **References Cited**

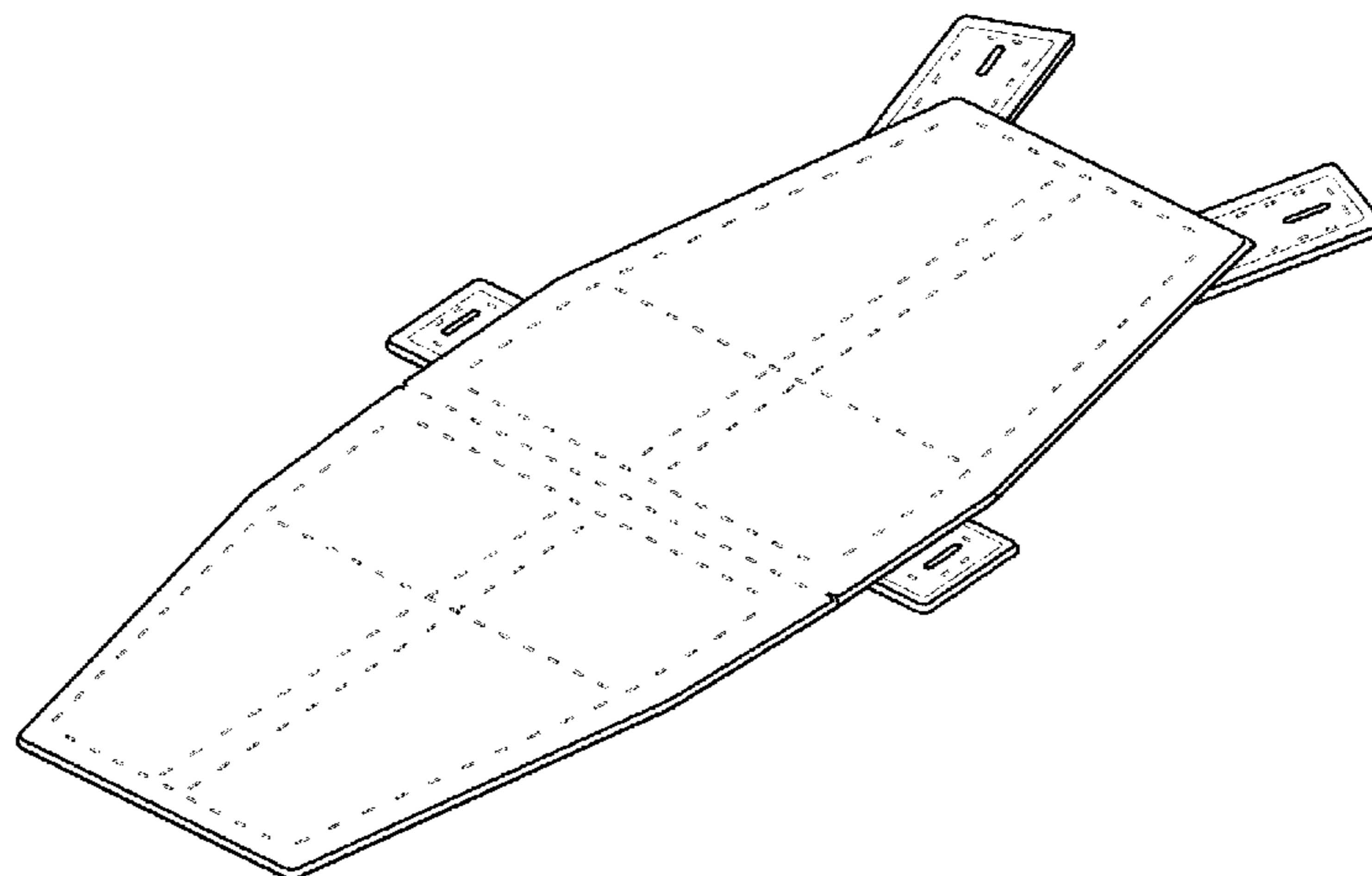
U.S. PATENT DOCUMENTS

2,425,635 A 8/1947 Nitzberg
D288,022 S 2/1987 Marconi
D376,679 S 12/1996 Edens et al.
6,032,287 A 3/2000 Kallas
6,216,269 B1 4/2001 Smith et al.
D526,765 S * 8/2006 Lown B65D 33/08
D2/860
7,512,993 B1 * 4/2009 Gutierrez A41B 13/10
2/49.1
D603,142 S 11/2009 Wright et al.
7,665,151 B1 2/2010 Finell
D650,561 S * 12/2011 Thompson D2/861
D661,468 S * 6/2012 Michaels D2/864
D699,926 S * 2/2014 Sakanishi D2/864
D702,925 S * 4/2014 Kashierski D2/861

DESCRIPTION

FIG. 1 is a first perspective view of a combined bib and burping shield in full lines.
FIG. 2 is a front elevational view of the combined bib and burping shield.
FIG. 3 is a rear elevational view thereof.
FIG. 4 is a right side elevational view thereof.
FIG. 5 is a left side elevational view thereof.
FIG. 6 is a top plan view thereof; and,
FIG. 7 is a bottom plan view thereof.
The broken lines showing in FIGS. 1-3 are for the purpose of illustrating the environment of the article only and form no part of the claimed design.

1 Claim, 4 Drawing Sheets



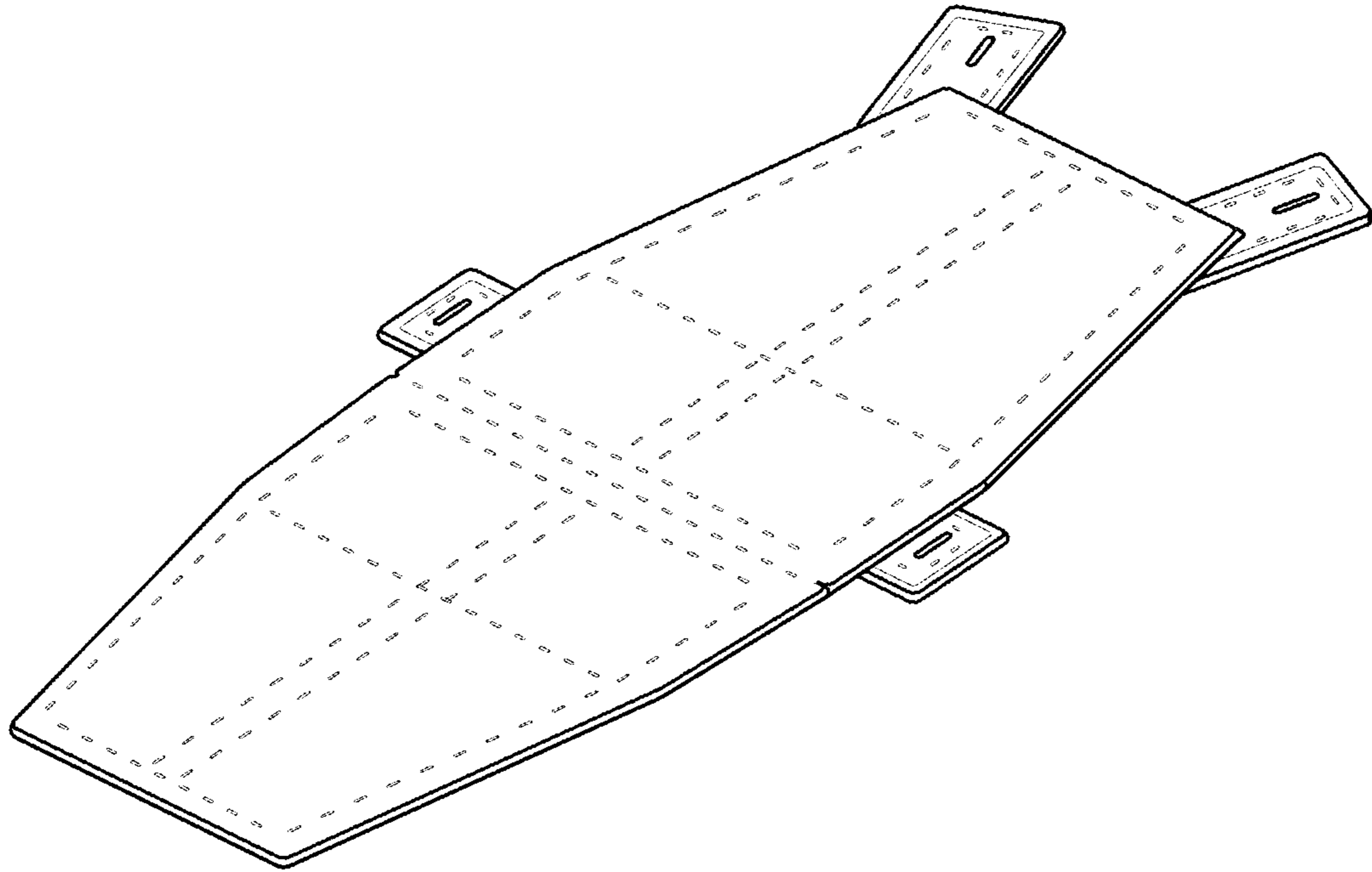


FIG. 1

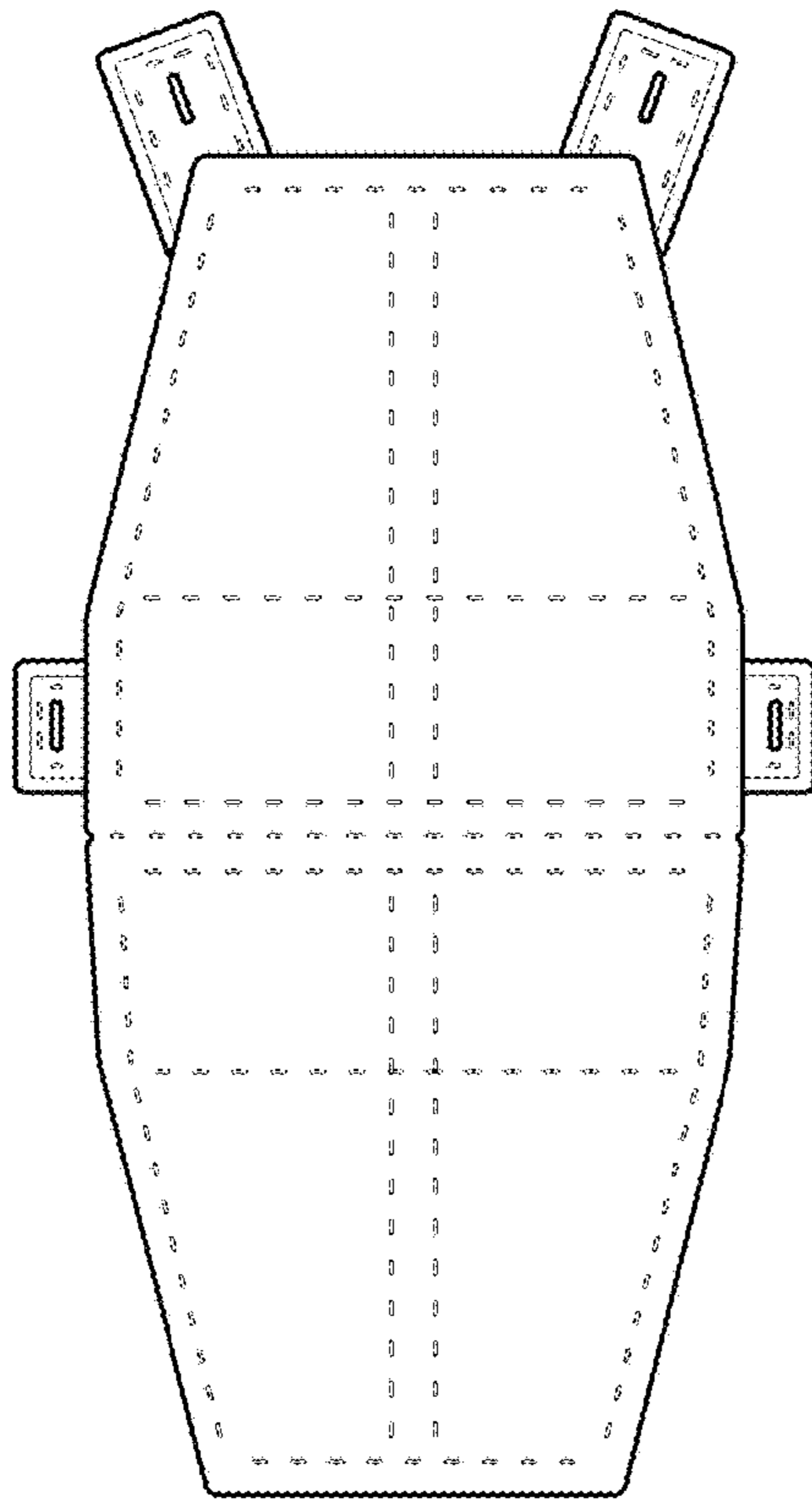


FIG. 2

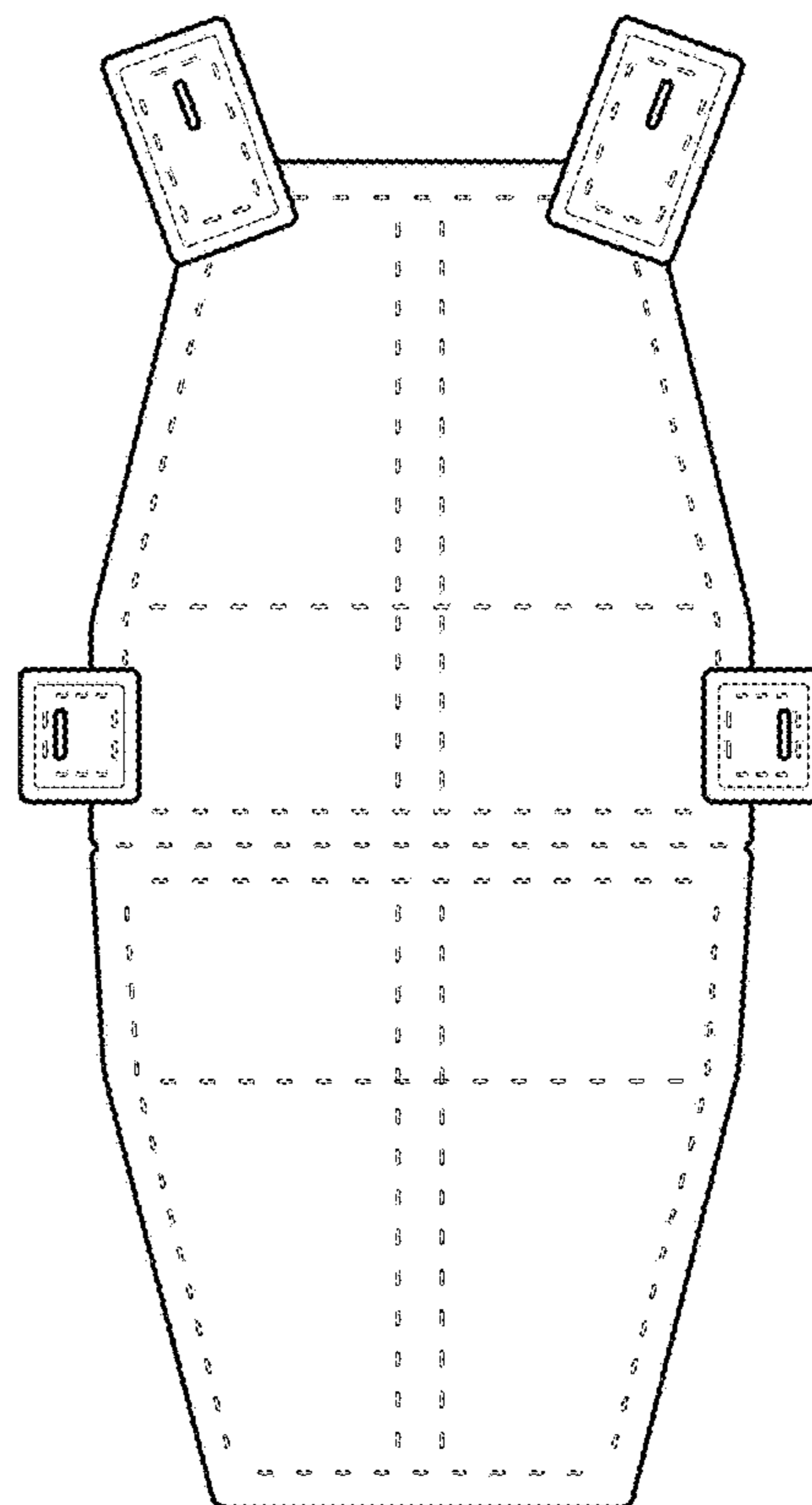


FIG. 3



FIG. 4



FIG. 5

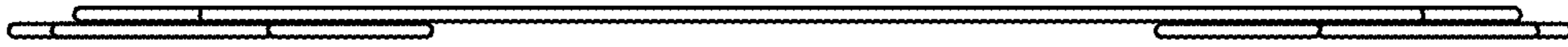


FIG. 6

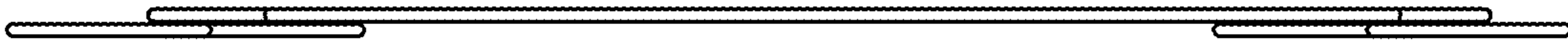


FIG. 7