



US00D804147S

(12) **United States Design Patent** (10) **Patent No.:** **US D804,147 S**
Geishauser et al. (45) **Date of Patent:** **** Dec. 5, 2017**

(54) **POCKET FOR PANTS' LEGS**

A41B 13/00; A41B 9/08; A41D 1/00;
A41D

(71) Applicants: **Clair M. Geishauser**, San Antonio, TX
(US); **Theresa A. Lyon**, Toledo, IA
(US); **Tyrel J. Lyon**, Abilene, TX (US)

(Continued)

(56)

References Cited

U.S. PATENT DOCUMENTS

(72) Inventors: **Clair M. Geishauser**, San Antonio, TX
(US); **Theresa A. Lyon**, Toledo, IA
(US); **Tyrel J. Lyon**, Abilene, TX (US)

1,621,826 A * 3/1927 Burtchaell A41D 27/20
2/250
1,818,738 A * 8/1931 Newman A41D 27/20
2/248

(Continued)

(73) Assignee: **Clair M. Geishauser**, San Antonio, TX
(US)

FOREIGN PATENT DOCUMENTS

(**) Term: **15 Years**

CN 201830957 U 5/2011
CN 201860803 U 6/2011

(Continued)

(21) Appl. No.: **29/553,182**

OTHER PUBLICATIONS

(22) Filed: **Jan. 29, 2016**

Beckett & Robb, "Pockets—Straight vs. Hacking" Jul. 16, 2013,
Beckett & Robb Blog, site visited Dec. 13, 2016 <<http://beckettrobb.com/blog/pockets-straight-vs-hacking/>>.*

(Continued)

Related U.S. Application Data

(62) Division of application No. 29/485,946, filed on Mar.
25, 2014, now Pat. No. Des. 792,681.

(51) **LOC (10) Cl.** **02-02**

(52) **U.S. Cl.**

USPC **D2/742**

(58) **Field of Classification Search**

USPC D2/227, 108, 215, 500–508, 600,
D2/610–623, 700–717, 721–730,
D2/739–741, 742, 749, 750, 754–827,
D2/828, 839, 840–864; D5/63–66;
D11/95–116; D29/100, 121.1;
D21/803–810, 829

CPC A41B 1/00; A41B 1/08; A41B 1/10; A41B
1/12; A41B 1/18; A41B 1/04; A41B 1/06;
A41B 1/24; A41B 3/02; A41B 3/04;

Primary Examiner — Kevin K Rudzinski

Assistant Examiner — Paul D Bohannon

(74) *Attorney, Agent, or Firm* — McKee, Voorhees &
Sease, PLC

(57)

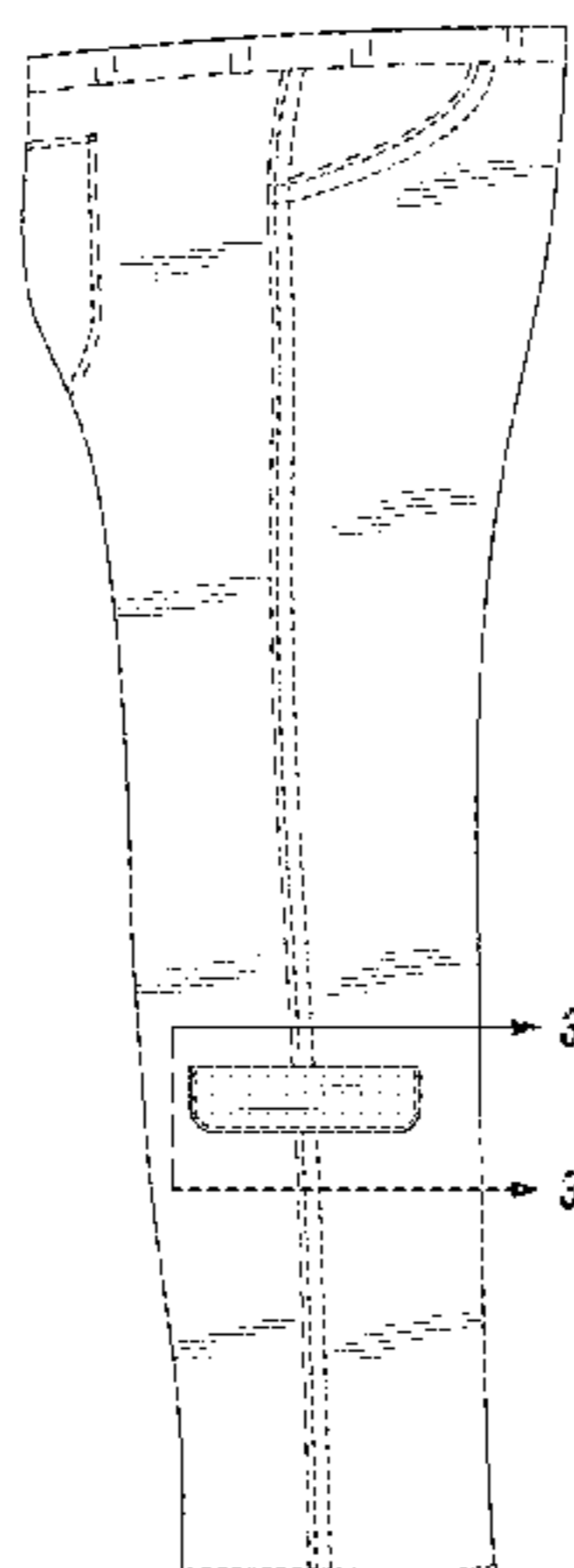
CLAIM

The ornamental design for a pocket for pants' legs, substan-
tially as shown and described.

DESCRIPTION

FIG. 1 is a side view of the first embodiment of the pocket
for pants' legs with a flap showing my new design.
FIG. 2 is a side view of the second embodiment of the pocket
for pants' legs with a flap and an interior pocket; and,
FIG. 3 is a sectional view of flap of the pocket for pants' legs
with a flap of FIG. 1.

(Continued)



The dot-dash broken line immediately adjacent the shaded areas represent the bounds of the claimed design, while all other broken lines are included for the purpose of illustrating the portions of the pants and such broken lines forming no part of the claimed design.

1 Claim, 2 Drawing Sheets

(58) Field of Classification Search

CPC ... 1/007; A41D 1/02; A41D 1/04; A41D 1/06; A41D 1/08; A41D 3/00; A41D 3/005; A41D 3/02; A41D 3/04; A41D 3/06; A41D 5/00; A41D 5/003; A41D 5/006; A41D 15/00; A41D 15/005; A41D 15/007; A41D 27/00; A41D 27/20; A41D 27/201; A41D 27/202; A41D 27/204; A41D 27/205; A41D 29/00; A41D 31/0088; A41D 31/02; A41D 24/00; A41D 24/38; A41D 23/00; A41D 13/00; A41D 13/0012; A41D 13/0015; A41D 13/012; A41D 13/0537; A41D 13/0543; A41D 2400/42; A41D 2400/38; A41D 2400/60; A41D 2400/22; A41D 2600/00; A41D 2400/102; A41D 7/00; A63B 21/0552

See application file for complete search history.

(56) References Cited

U.S. PATENT DOCUMENTS

2,389,721	A *	11/1945	Durso	A41D 27/20	
						2/247
2,423,558	A *	7/1947	Herman	A41D 27/20	
						2/247
2,424,666	A *	7/1947	Previdi	A41D 27/20	
						2/247
2,544,750	A *	3/1951	Alesio	A41D 27/20	
						2/247
4,384,369	A	5/1983	Prince			
4,404,689	A	9/1983	DeWan			
4,667,344	A *	5/1987	Cooper, III	A41D 3/04	
						2/227
D291,640	S	9/1987	Russo			
5,054,127	A	10/1991	Zevchak			
5,072,456	A *	12/1991	Elin	A41D 27/20	
						2/102
5,103,504	A	4/1992	Dordevic			
5,159,718	A	11/1992	Moyer			
D344,620	S	3/1994	Lavell			
D373,892	S	9/1996	Landwehr			
5,588,154	A	12/1996	Blauer et al.			
5,669,078	A	9/1997	Scremin et al.			
5,826,273	A	10/1998	Eckes			
6,014,771	A	1/2000	Kirven			
D438,008	S *	2/2001	Snider	D3/299	
6,338,164	B1	1/2002	Howard			
D493,946	S	8/2004	Jones et al.			
6,769,139	B1	8/2004	Goldkind			
7,058,987	B2	6/2006	Salazar			

7,089,596	B2	8/2006	Leflet et al.			
7,376,979	B2	5/2008	Nilsen			
D572,434	S *	7/2008	Yeates	D2/742	
D572,878	S	7/2008	Conley			
D580,629	S	11/2008	Adams et al.			
7,681,255	B2	3/2010	Morales et al.			
D624,281	S *	9/2010	Richardson, Jr.	D2/742	
D640,041	S	6/2011	Flora et al.			
D641,959	S	7/2011	Abrams et al.			
8,032,951	B1	10/2011	Nestberg et al.			
D656,712	S	4/2012	Jones			
D665,559	S	8/2012	Ridge			
D680,299	S *	4/2013	Scott	D2/742	
D686,390	S	7/2013	Downs et al.			
D747,039	S *	1/2016	Espino	D29/100	
D750,350	S *	3/2016	Davis	D2/857	
D755,478	S *	5/2016	Grosbol	D2/828	
D766,545	S *	9/2016	Grosbol	D2/742	
D766,546	S *	9/2016	Grosbol	D2/742	
2002/0010058	A1	1/2002	Myrick			
2005/0017034	A1	1/2005	Ausanio			
2008/0005825	A1 *	1/2008	Tronvold	A41D 3/00	
						2/95
2012/0117713	A1	5/2012	Hoffner			
2012/0185999	A1	7/2012	Raviv			
2012/0186000	A1	7/2012	Raviv			
2013/0125287	A1 *	5/2013	Boyle	A41D 15/002	
						2/70
2014/0026293	A1	1/2014	Quistian, Jr.			
2014/0090140	A1 *	4/2014	Craig	A41D 1/06	
						2/2.5
2015/0282535	A1 *	10/2015	Rowe	A41D 1/067	
						2/237

FOREIGN PATENT DOCUMENTS

DE	201 15 855	U1	1/2002
EP	0 836 393	B1	4/1998
JP	2005-120505	A	5/2005
RU	2 258 547	C1	8/2005
RU	99 932	U1	12/2010
WO	WO 96/39883	A1	12/1996

OTHER PUBLICATIONS

“John F. Kennedy’s Ivy League Style” Nov. 22, 2013, BAMF Style blog, site visited Jun. 9, 2017 <<https://bamfstyle.com/2013/11/22/jfki>>.*

Vargas-Cooper, Natasha. “A Romp Through 1960’s America” Jul. 13, 2010, Mad Men Unbuttoned blog, site visited Jun. 9, 2017 <<http://madmenunbuttoned.com/post/806632098/this-vision-of-soft-shoulder-narrow-lapeled-two>>.*

Petrova, Veselka. “Types of mens suit coat pockets” Jul. 16, 2013, made-to-measure-suits.bgfashion.net, site visited Jun. 9, 2017 <<https://made-to-measure-suits.bgfashion.net/article/7821/44/Types-of-mens-suit-coat-pockets#popup2>>.*

CN 201830957, Guohua Energy Invest—English.

CN 201860803, Aerospace Life Support Industries—English.

DE 201 15 855, Becker Siegmur—English.

JP 2005-120505, Asano Kiyoshi—English.

RU 2 258 547, Otkrytoe OB Edinenie Vympel—English.

RU 99 932, CMNPHOBA—English.

* cited by examiner

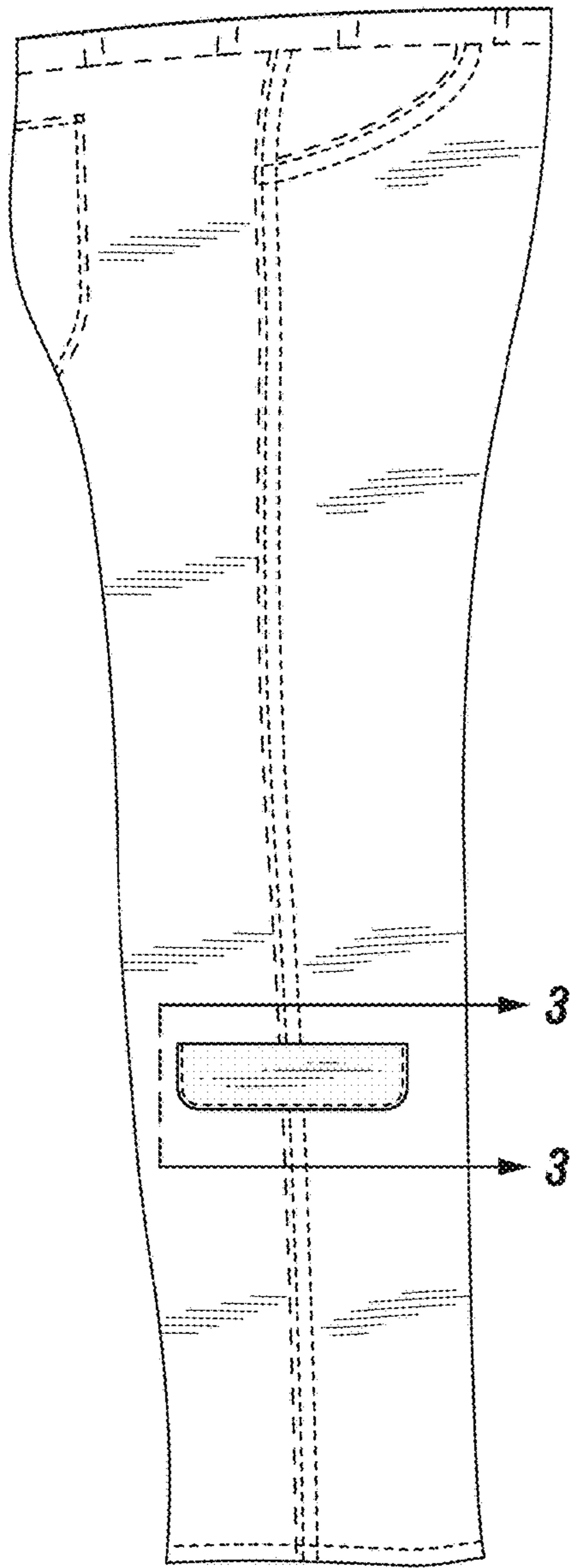


FIG. 1

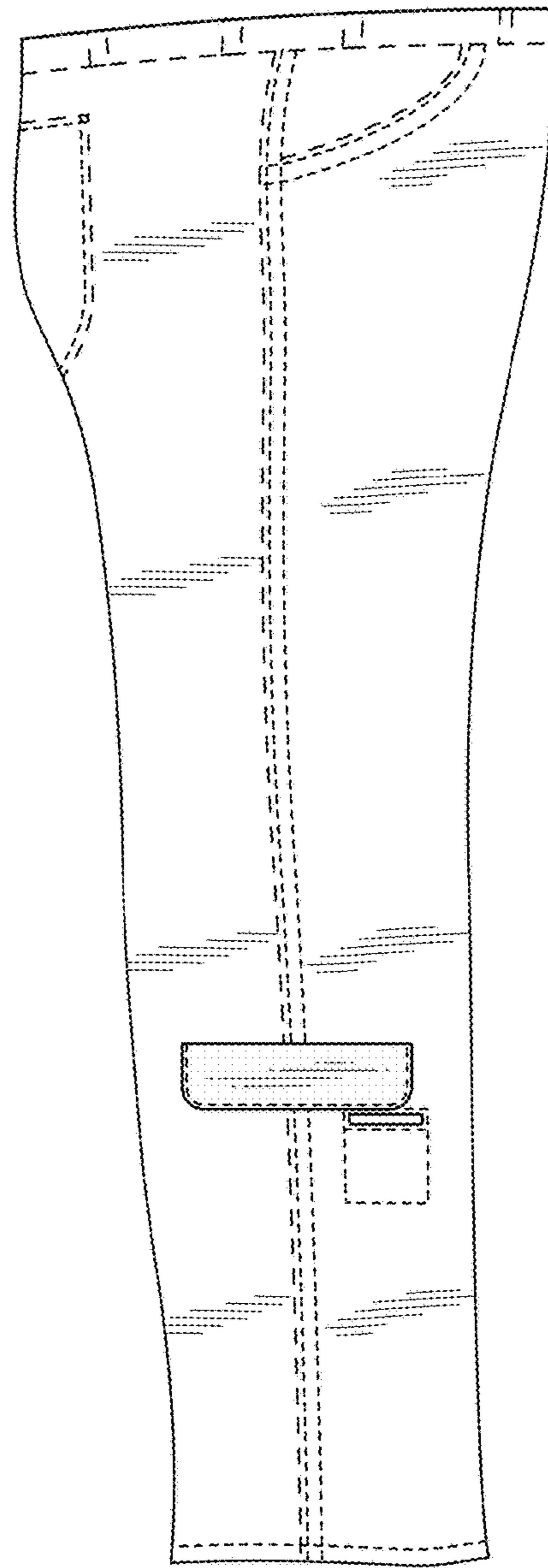


FIG. 2

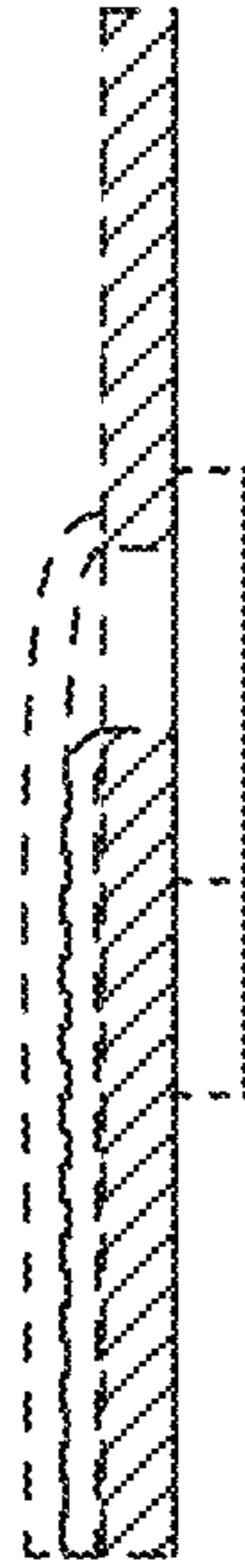


FIG. 3