



US00D804141S

(12) **United States Design Patent**
Falcone

(10) **Patent No.:** **US D804,141 S**

(45) **Date of Patent:** **** Dec. 5, 2017**

(54) **FOOD PRODUCT**

(71) Applicant: **Vincent Joseph Falcone**, Inverness, IL (US)

(72) Inventor: **Vincent Joseph Falcone**, Inverness, IL (US)

(73) Assignee: **Mars, Incorporated**, McLean, VA (US)

(**) Term: **15 Years**

(21) Appl. No.: **29/576,461**

(22) Filed: **Sep. 2, 2016**

(51) **LOC (10) Cl.** **01-01**

(52) **U.S. Cl.**
USPC **D1/199**

(58) **Field of Classification Search**
USPC D1/100-130, 199; 426/5, 76, 87, 92, 94, 426/95, 99, 101, 103, 108, 138-139, 143, 426/144, 279, 282, 283, 391, 514, 549, 426/660; D13/100; D24/101-104, 194; D28/8.1; 424/467; 425/195; 34/296; D6/601; D9/453; D30/160
CPC .. A61K 9/2072; A61K 9/0004; A61K 9/2095; A61K 9/209
See application file for complete search history.

(56) **References Cited**

U.S. PATENT DOCUMENTS

D16,030 S	4/1885	Schwarzschild et al.	
D18,206 S	3/1888	Schwarzschild et al.	
1,587,960 A *	6/1926	Jorgensen	A61J 17/02 606/235
D85,142 S	9/1931	Steckler	
1,826,943 A	10/1931	Maker et al.	
D87,240 S *	6/1932	Podell	D24/194
2,103,083 A	12/1937	Lynch	
D136,206 S *	8/1943	Allen	D24/194
D138,168 S *	6/1944	Baine	D24/194
D138,448 S *	8/1944	Youngquist	D24/194

D170,051 S * 7/1953 Colm D24/194
2,826,201 A * 3/1958 Yoder A61J 17/02
606/235

D207,167 S 3/1967 Fisher
4,109,649 A 8/1978 Iyomasa
D303,728 S 10/1989 Spanier et al.

(Continued)

OTHER PUBLICATIONS

PetCare Advertisement, IAMS Tartar Treats, Mar. 2006.

Primary Examiner — Garth Rademaker

Assistant Examiner — Katie Stofko

(74) *Attorney, Agent, or Firm* — Greenberg Traurig, LLP

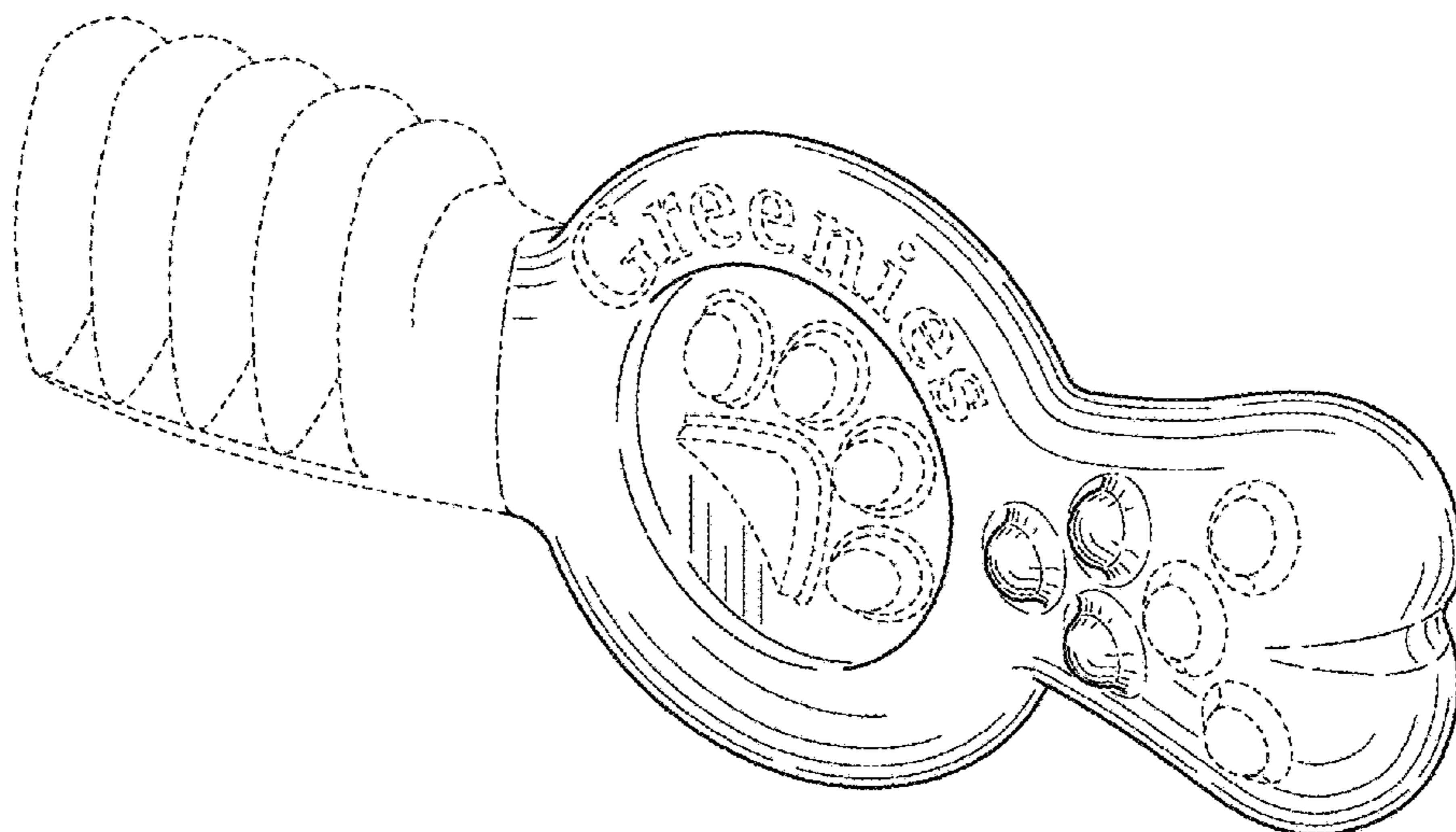
(57) **CLAIM**

The ornamental design for a food product, as shown and described.

DESCRIPTION

FIG. 1 is a front right perspective view of a food product showing my new design;
FIG. 2 is a front elevation view of the food product shown in FIG. 1;
FIG. 3 is a rear elevation view of the food product shown in FIG. 1;
FIG. 4 is a right side elevation view of the food product shown in FIG. 1;
FIG. 5 is a left side elevation view of the food product shown in FIG. 1;
FIG. 6 is a top plan view of the food product shown in FIG. 1; and,
FIG. 7 is a bottom plan view of the food product shown in FIG. 1.
The evenly-spaced broken lines in FIGS. 1-7 illustrate portions of the food product that form no part of the claimed design. The dash-dot-dash broken lines in FIGS. 1-3, 6 and 7 illustrate the boundary of the claimed design which forms no part thereof.

1 Claim, 3 Drawing Sheets



(56)

References Cited

U.S. PATENT DOCUMENTS

D305,950 S	2/1990	Spiel et al.		D587,427 S	3/2009	Torney et al.	
D305,952 S	2/1990	Spanier et al.		D587,428 S	3/2009	Torney et al.	
D320,495 S	10/1991	Pallesen		D587,429 S	3/2009	Torney et al.	
5,240,720 A	8/1993	Axelrod		7,497,189 B2	3/2009	Torney	
D338,993 S	9/1993	Lilly		D590,127 S	4/2009	Caudill et al.	
D420,447 S *	2/2000	Rohrig	D24/193	D603,127 S	11/2009	Townsend et al.	
6,116,191 A	9/2000	Suchowski et al.		D603,578 S	11/2009	Townsend et al.	
6,168,822 B1	1/2001	Reicks et al.		D635,326 S	4/2011	Freije	
D460,601 S *	7/2002	Tenzer	D1/106	D638,606 S	5/2011	Freije	
D499,226 S	12/2004	Axelrod		D640,384 S	6/2011	Roehrig et al.	
D503,998 S	4/2005	Axelrod		D688,317 S *	8/2013	Soto	D21/398
D528,736 S	9/2006	Koenig et al.		D689,121 S *	9/2013	Lochen	D17/10
D529,667 S	10/2006	Axelrod		D697,274 S *	1/2014	Thorne	D24/194
D530,481 S	10/2006	Koenig et al.		8,925,494 B2	1/2015	Pang et al.	
D531,365 S	10/2006	Axelrod		D745,241 S	12/2015	Doerr	
D531,383 S	11/2006	Dettmer et al.		D760,964 S	7/2016	Toolan	
D547,455 S *	7/2007	Greenberg	D24/193	2006/0102099 A1	5/2006	Edwards	
				2006/0222748 A1	10/2006	Kobayashi et al.	
				2007/0101946 A1	5/2007	Penny	

* cited by examiner

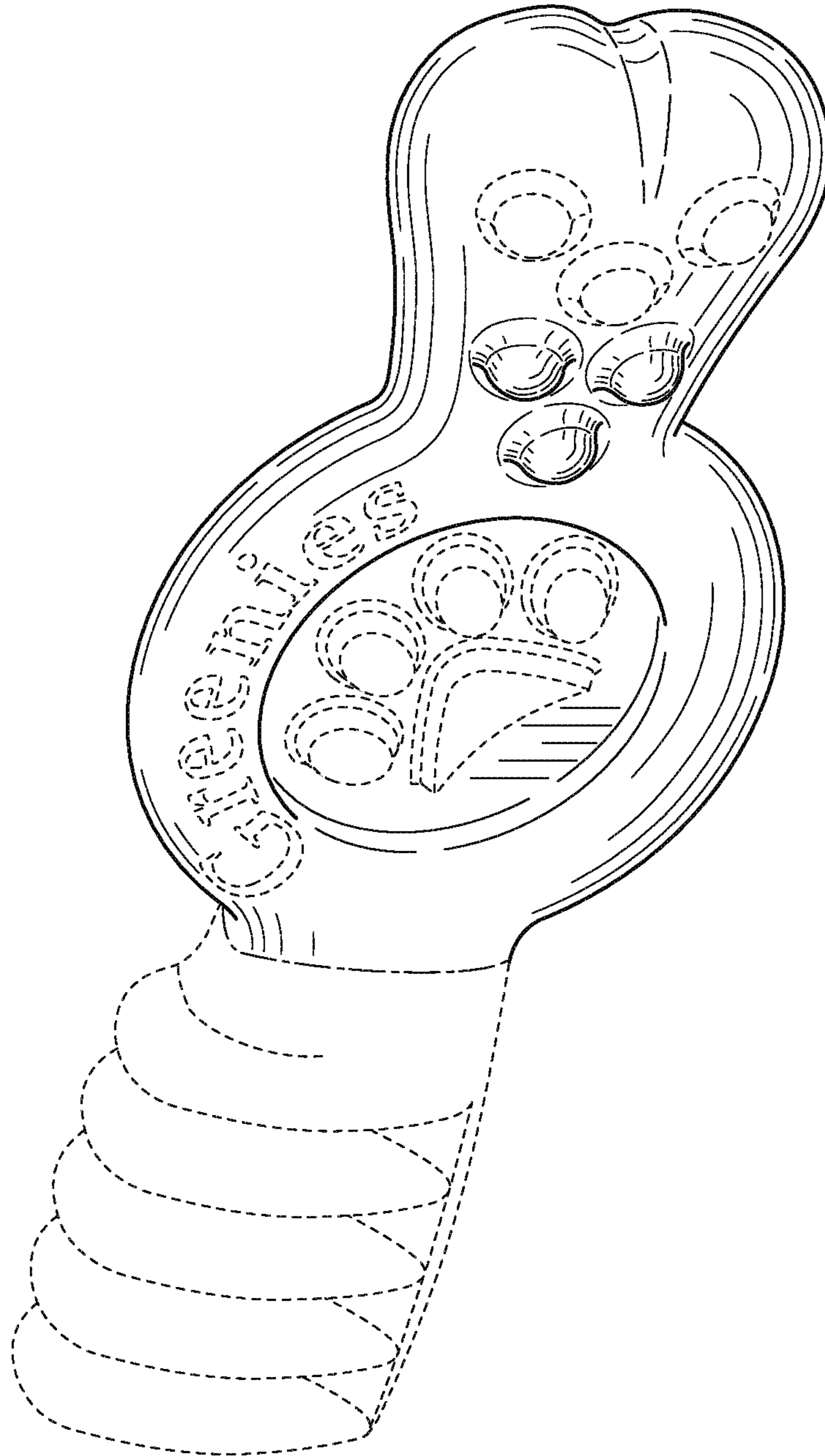
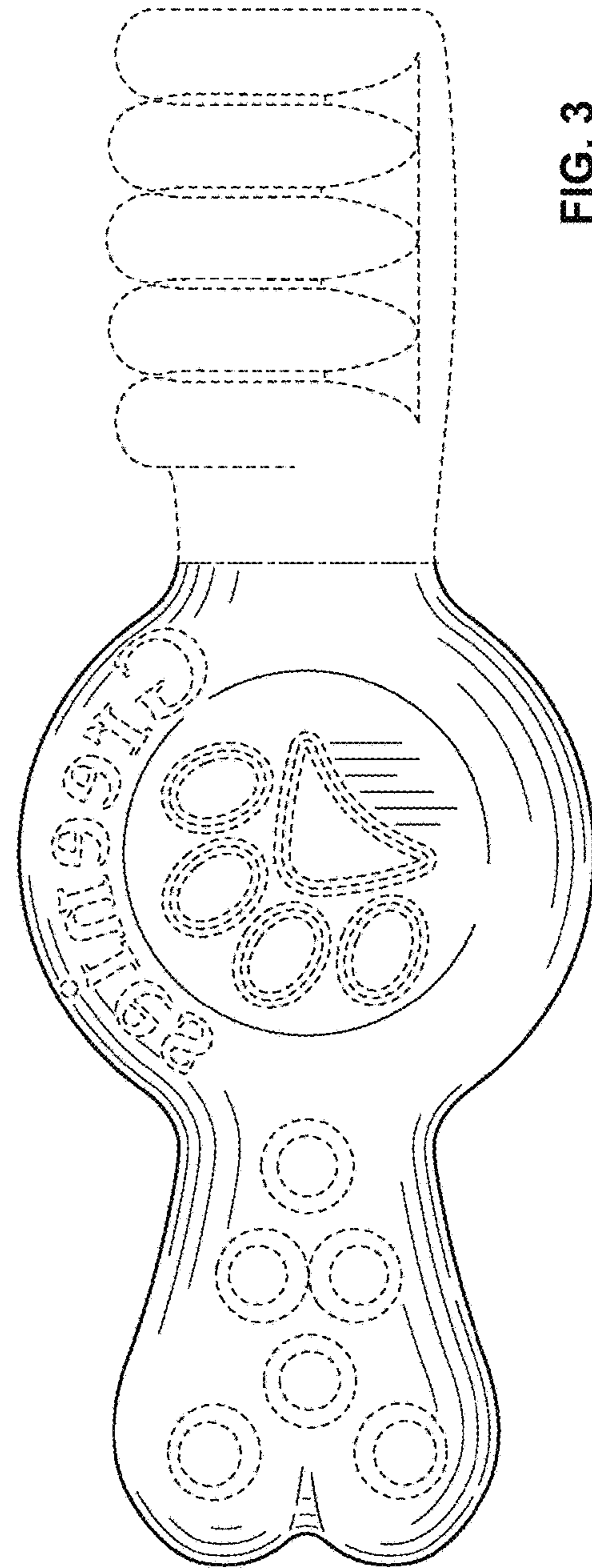
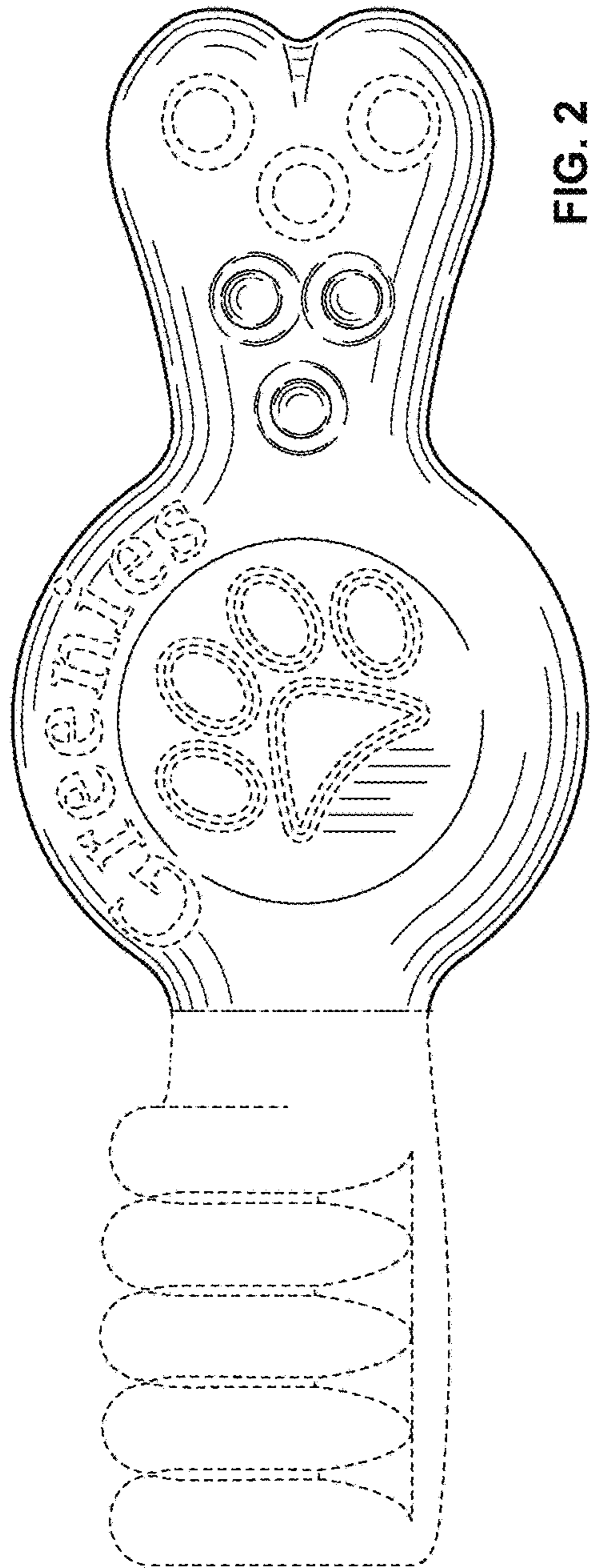


FIG. 1



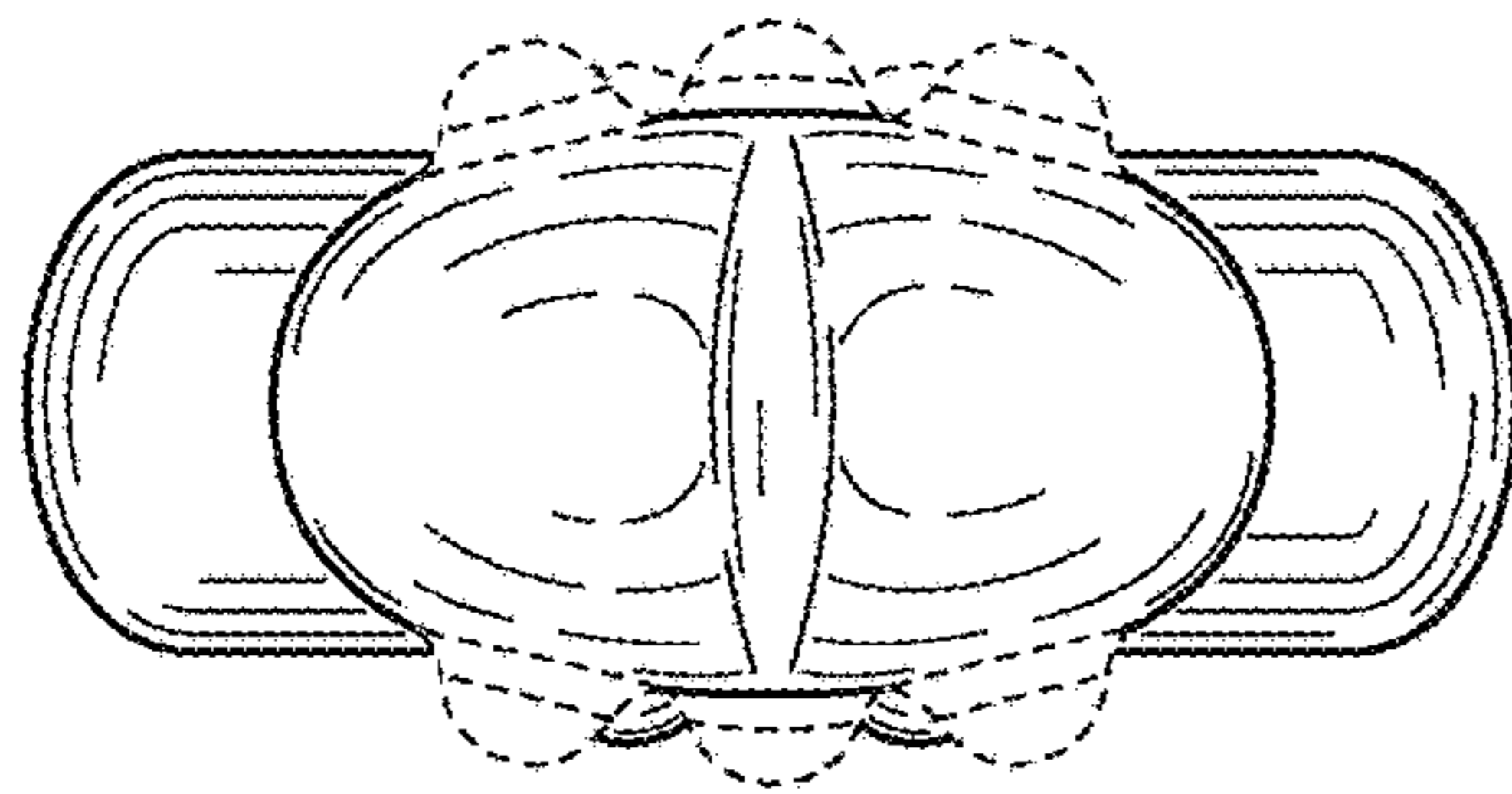


FIG. 4

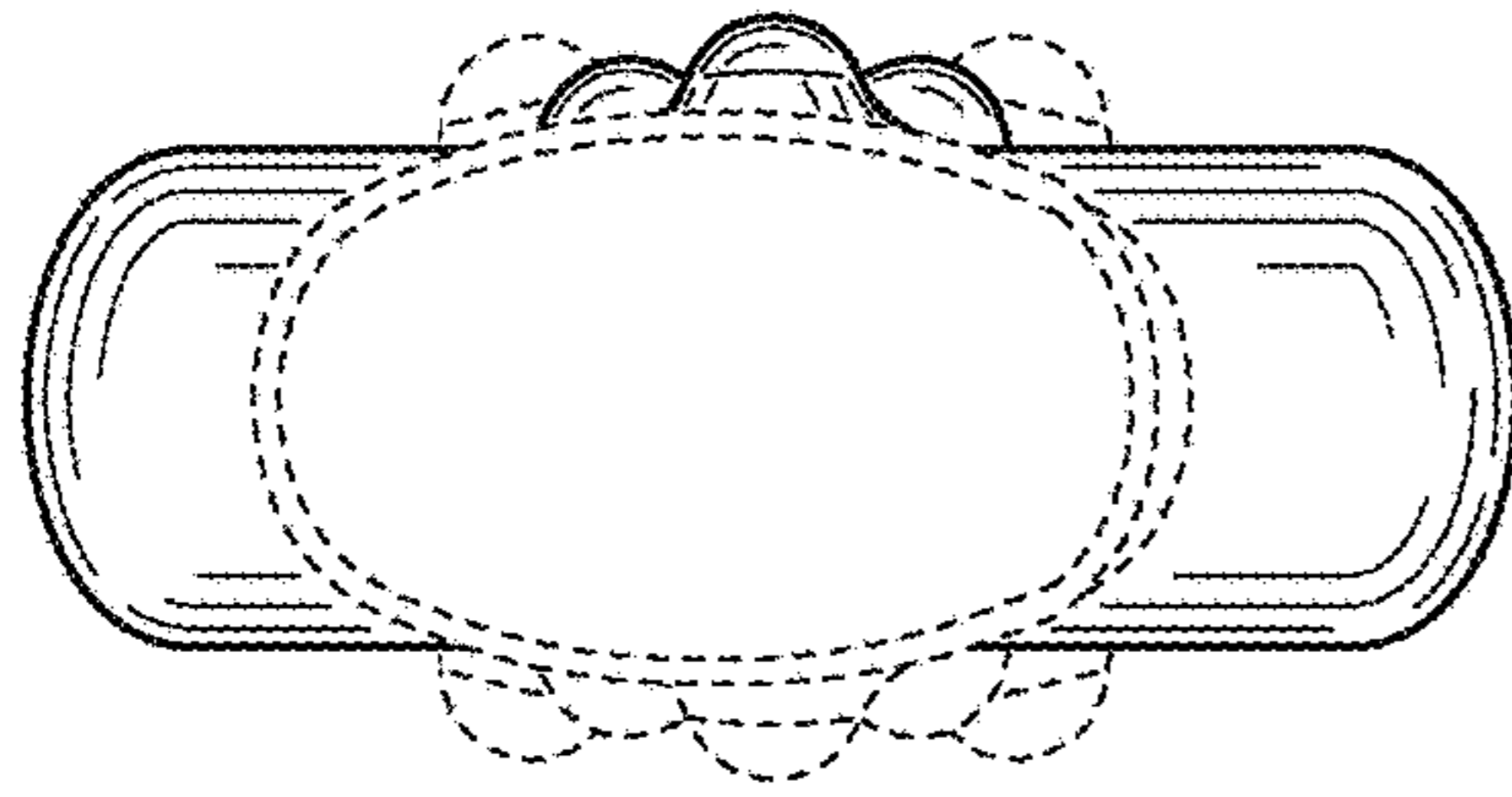


FIG. 5

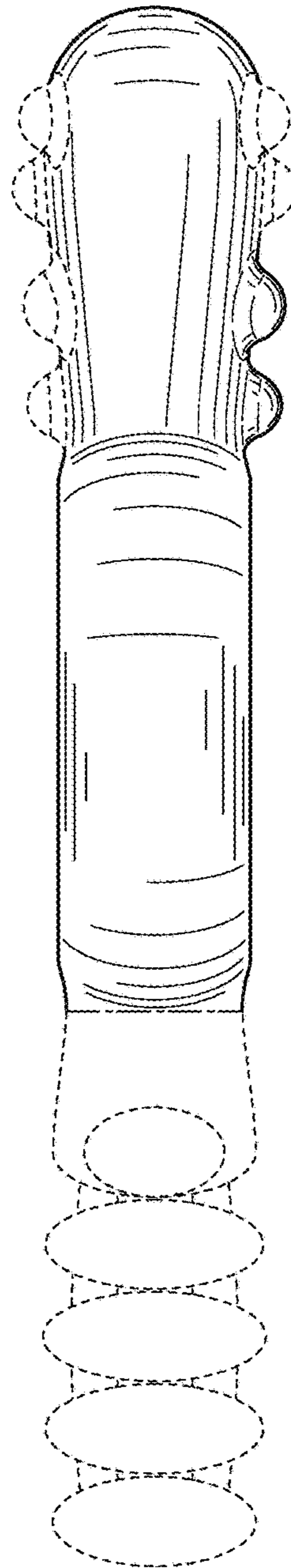


FIG. 6

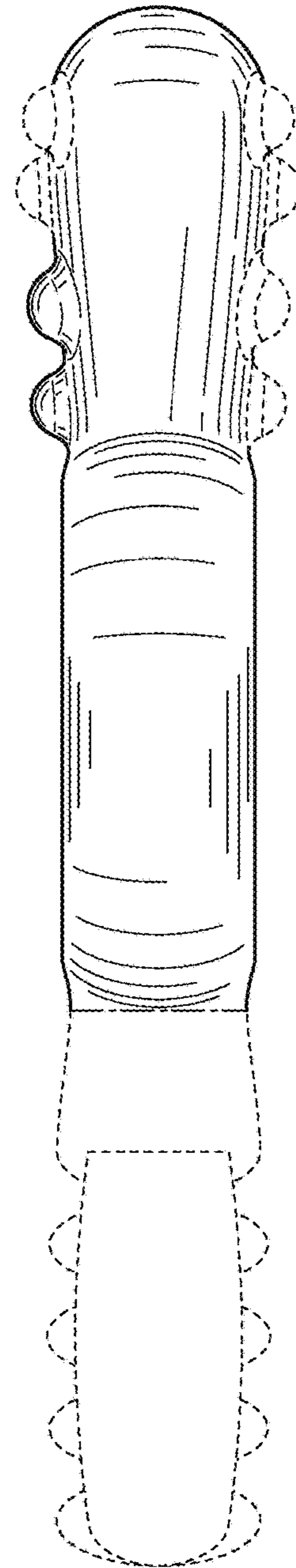


FIG. 7