

US00D804138S

(12) **United States Design Patent**
Smith

(10) **Patent No.:** **US D804,138 S**

(45) **Date of Patent:** **** Nov. 28, 2017**

(54) **LIFTING DEVICE**

(71) Applicant: **Larry J. Smith**, Lineville, AL (US)

(72) Inventor: **Larry J. Smith**, Lineville, AL (US)

(**) Term: **15 Years**

(21) Appl. No.: **29/558,716**

(22) Filed: **Mar. 21, 2016**

Related U.S. Application Data

(63) Continuation of application No. 13/835,861, filed on Mar. 15, 2013, now abandoned.

(51) **LOC (10) Cl.** **12-05**

(52) **U.S. Cl.**
USPC **D34/33**

(58) **Field of Classification Search**
USPC D34/28-34; 254/2 B, 8 B, 133 R, 93 H, 254/108, 89 H, 126, 1, 89 R, 92, 134, 254/376, 6 R, 9 B, 425, 427, 352, 103, 254/122, 100, 119, 8 R, 2 C, 10 B; 248/161, 408, 418, 352, 409, 354.7; 187/204, 207; 137/625.23; 74/547; 56/6, 15.2; 414/427, 495, 563; 29/426.2; 180/14.1

CPC B66F 13/00; B66F 5/04; B66F 3/24; B66F 3/25; B66F 5/02; B66F 7/08; B66F 9/06
See application file for complete search history.

(56) **References Cited**

U.S. PATENT DOCUMENTS

3,256,036 A 6/1966 Nolan
5,417,042 A * 5/1995 Walch A01B 63/22
56/15.2
5,421,639 A 6/1995 Bartholomew
6,389,619 B1 5/2002 Dunn
6,416,039 B1 * 7/2002 Pietrusynski B66F 5/04
254/2 B

6,425,146 B1 7/2002 O'Brien et al.
6,941,595 B1 9/2005 Michael
D519,705 S * 4/2006 Kong D34/31
7,137,615 B2 * 11/2006 Ray, Jr. B66F 5/04
254/10 B
D644,811 S * 9/2011 Clark D34/33
D737,537 S * 8/2015 Arzouman D34/31
D760,989 S * 7/2016 Martinez Martinez D34/31
2004/0213656 A1 * 10/2004 Lear A61G 7/08
414/495
2005/0039256 A1 2/2005 Price et al.
2005/0218384 A1 * 10/2005 Hernandez, Jr. B66F 5/04
254/10 B
2008/0101903 A1 * 5/2008 Waner A61G 7/08
414/495
2010/0038154 A1 * 2/2010 March A61G 5/02
180/14.1
2013/0228729 A1 * 9/2013 Elliott B66F 3/08
254/2 C
2013/0264530 A1 * 10/2013 Gann B66F 3/22
254/1

(Continued)

Primary Examiner — Cynthia Ramirez
Assistant Examiner — Michael Maharajh
(74) *Attorney, Agent, or Firm* — Robert C. Montgomery;
Montgomery Patent and Design, LP.

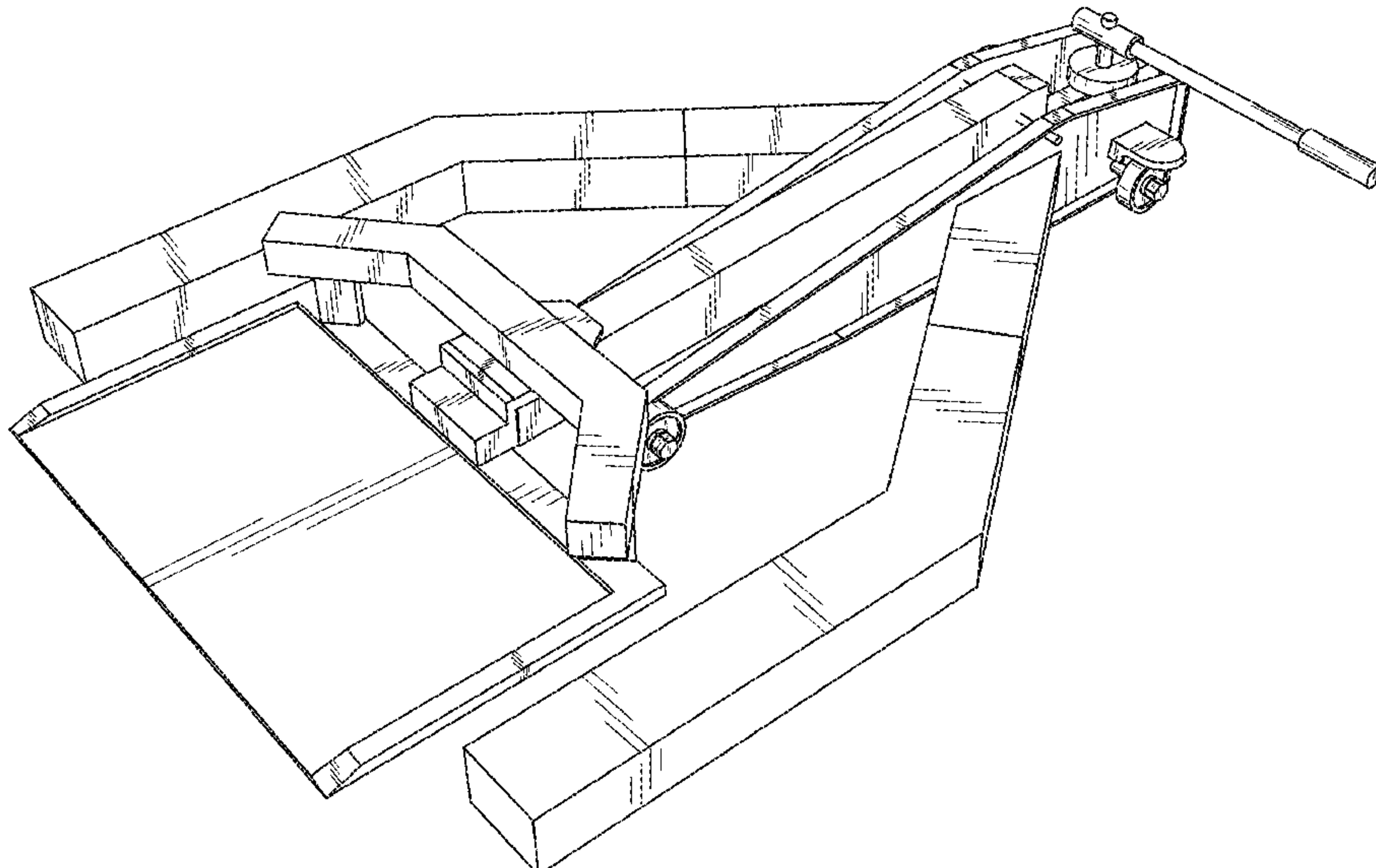
(57) **CLAIM**

The ornamental design for a lifting device, as shown and described.

DESCRIPTION

FIG. 1 is a top side perspective view of a lifting device, showing my new design;
FIG. 2 is a front elevation view thereof;
FIG. 3 is a back elevation view thereof;
FIG. 4 is a right side elevation view thereof;
FIG. 5 is a left side elevation view thereof;
FIG. 6 is a top plan view thereof; and,
FIG. 7 is a bottom plan view thereof.

1 Claim, 7 Drawing Sheets



(56)

References Cited

U.S. PATENT DOCUMENTS

2014/0186148 A1* 7/2014 March A61G 7/08
414/427

* cited by examiner

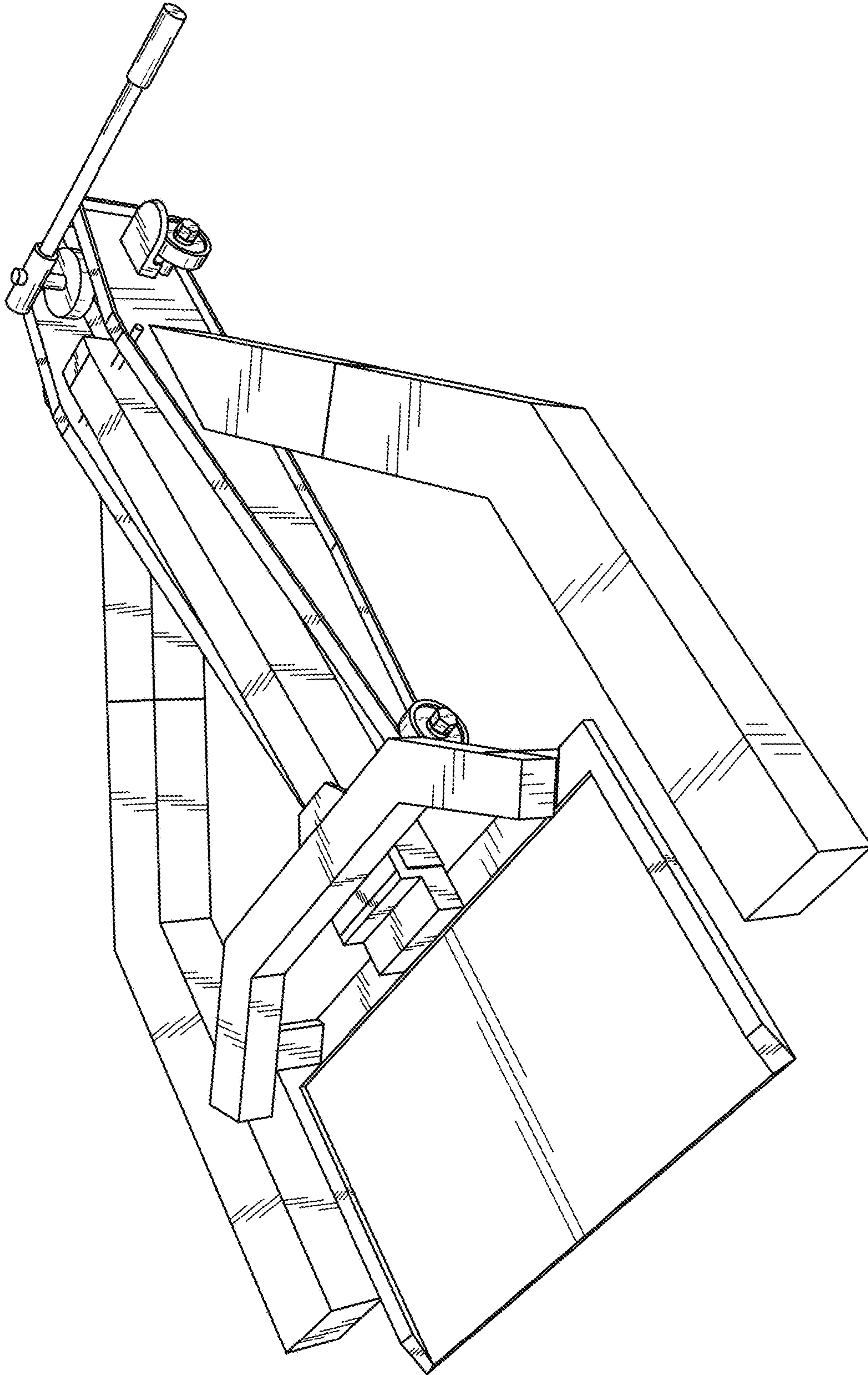


FIG. 1

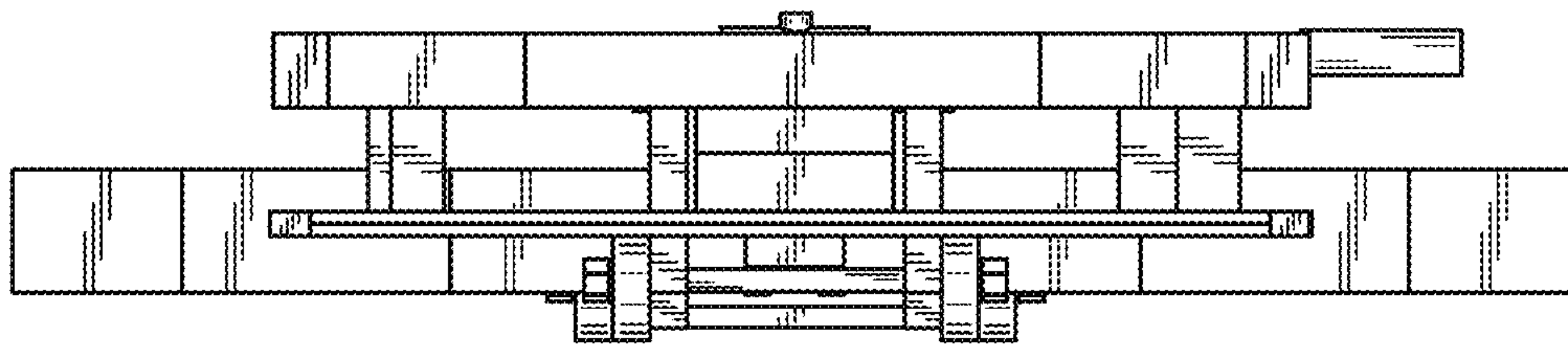


FIG. 2

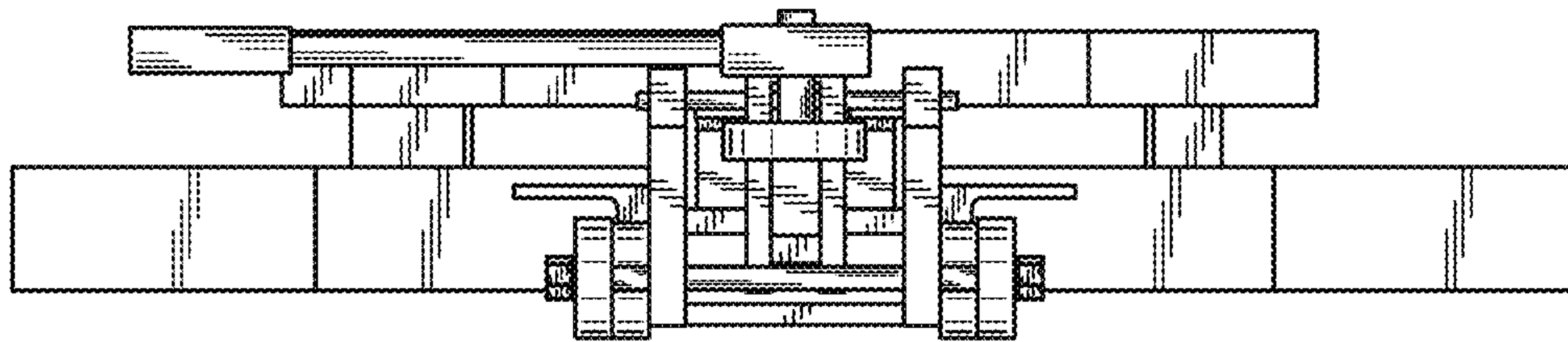


FIG. 3

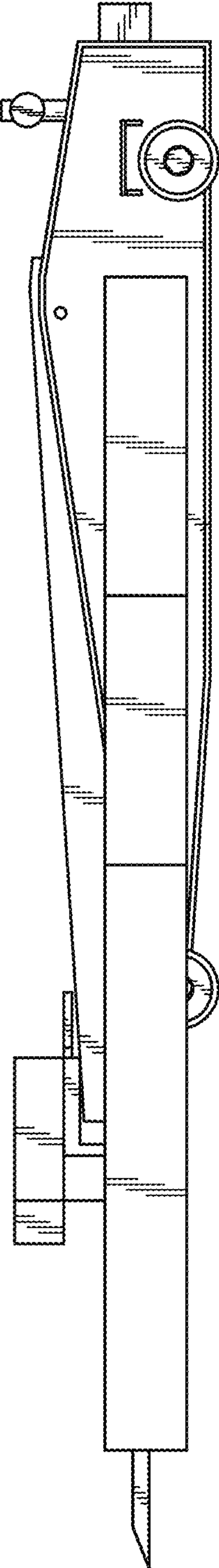


FIG. 4

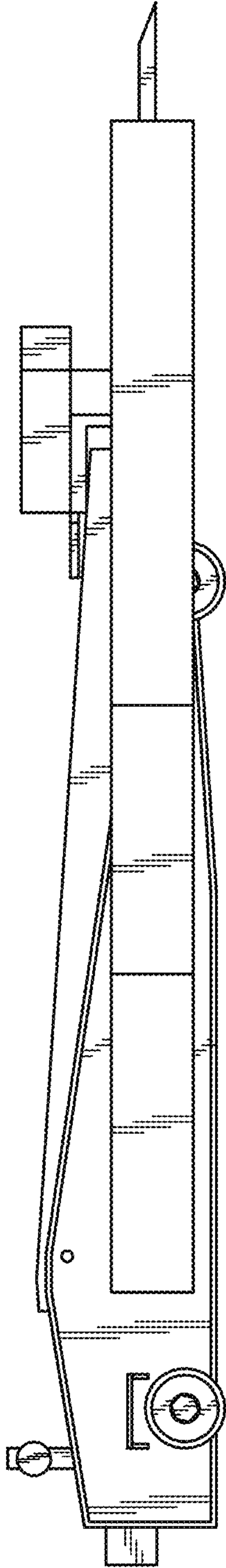


FIG. 5

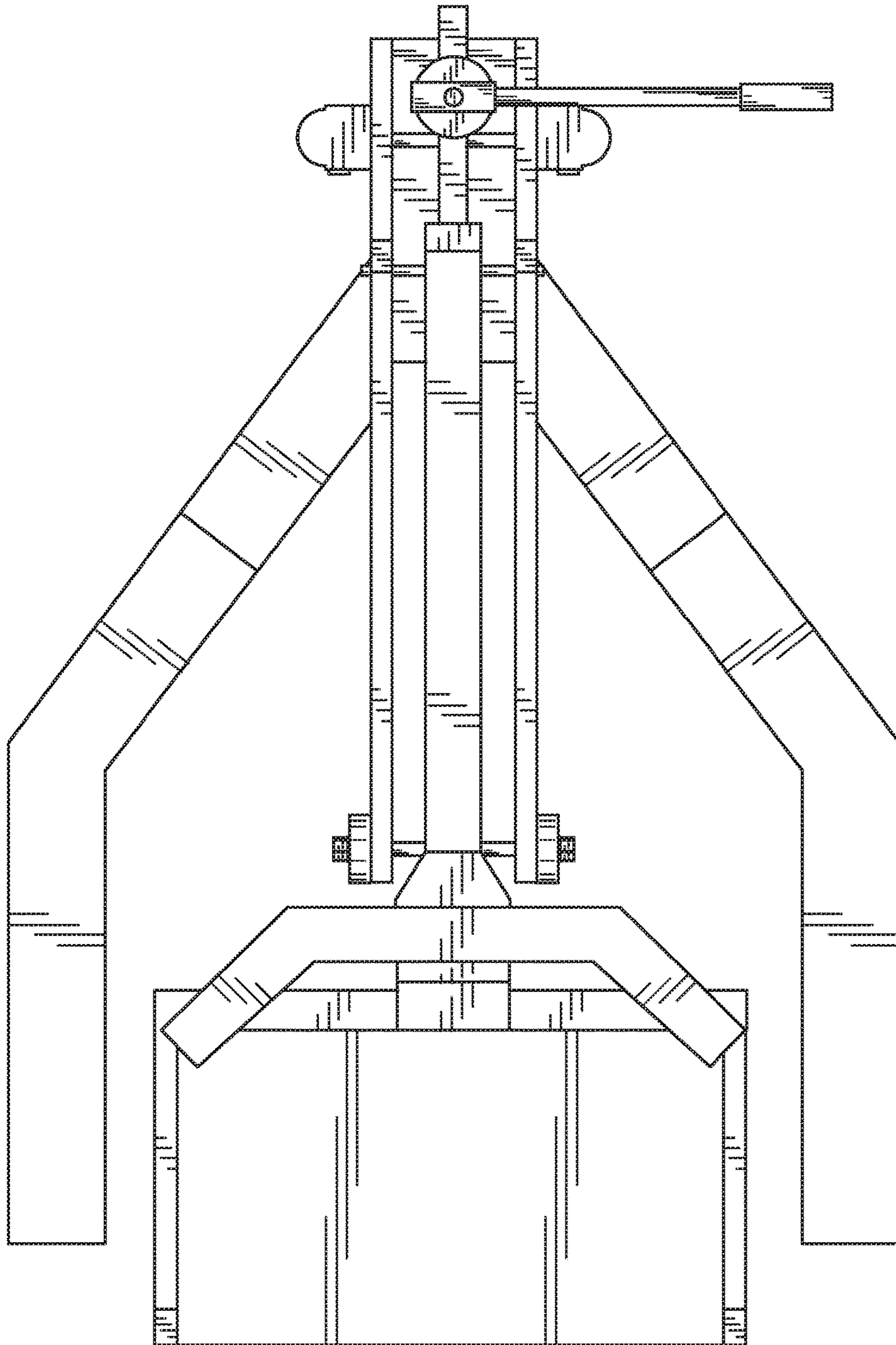


FIG. 6

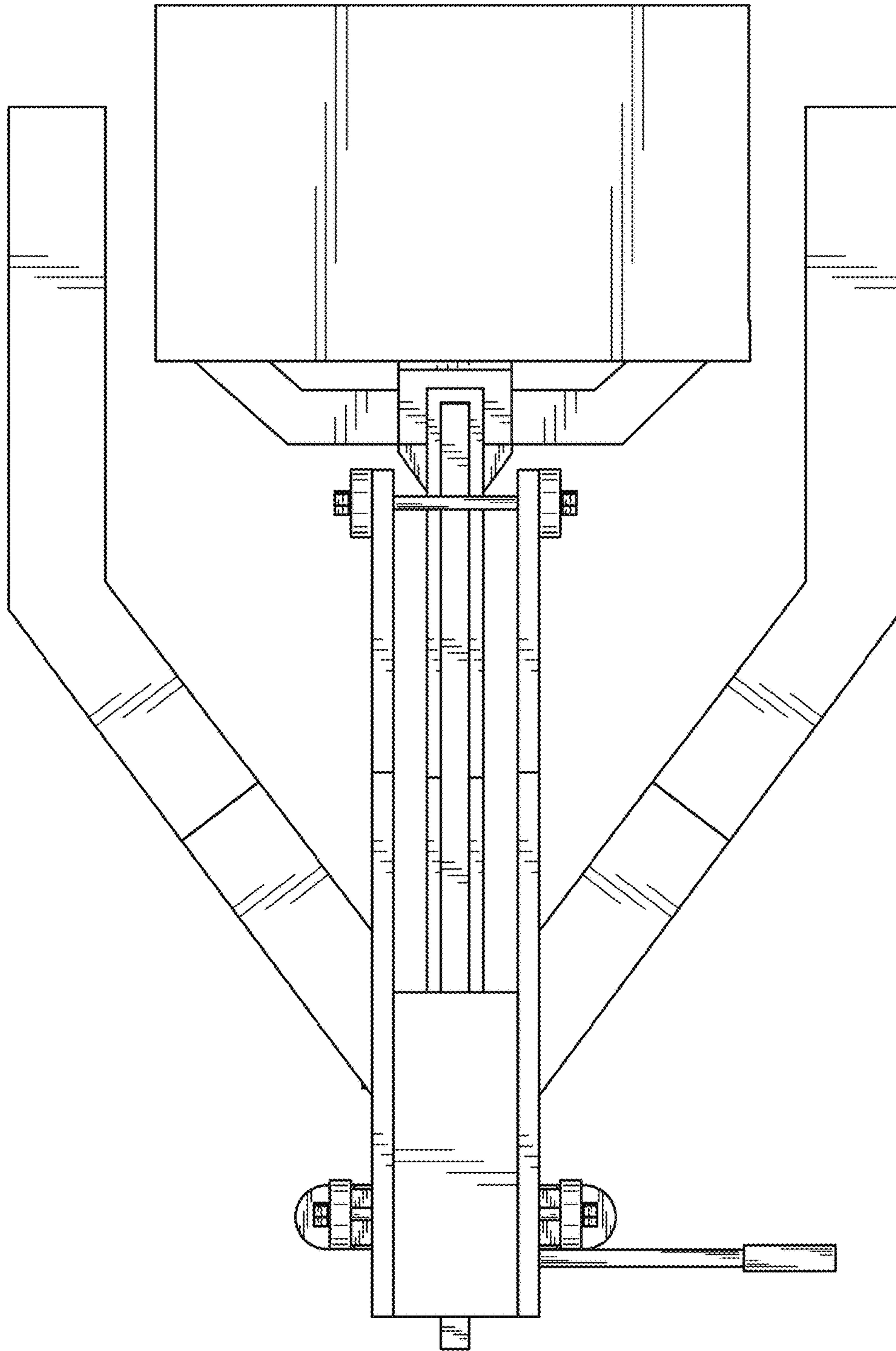


FIG. 7