



US00D804135S

(12) **United States Design Patent**
McMillan

(10) **Patent No.:** **US D804,135 S**

(45) **Date of Patent:** **** Nov. 28, 2017**

(54) **DOLLY WITH STORAGE RACK**

(71) Applicant: **Howard Cox McMillan**, Brighton, MI
(US)

(72) Inventor: **Howard Cox McMillan**, Brighton, MI
(US)

(**) Term: **15 Years**

(21) Appl. No.: **29/579,354**

(22) Filed: **Sep. 29, 2016**

(51) **LOC (10) Cl.** **12-02**

(52) **U.S. Cl.**
USPC **D34/23**

(58) **Field of Classification Search**
USPC 108/51.11, 53.1, 59; 211/126.1, 134,
211/151, 153, 162; 280/29, 35, 42,
280/79.11, 79.4, 763.1; D6/329; D34/12,
D34/14, 17, 19, 21, 23, 27
CPC B62B 3/1476; B62B 3/16
See application file for complete search history.

(56) **References Cited**

U.S. PATENT DOCUMENTS

D138,757 S *	9/1944	Standlee	D34/21
D206,481 S *	12/1966	Mackay	D34/19
3,332,730 A *	7/1967	Rubin	A47B 63/02
				211/126.15
4,557,201 A *	12/1985	Webb, Jr.	B62B 5/0093
				280/79.11
D301,075 S *	5/1989	Trubiano	D34/21
D325,800 S *	4/1992	Kelley	D34/21
D364,020 S *	11/1995	Wang	D34/23
D507,390 S *	7/2005	Schmidt	D34/27
6,979,005 B1 *	12/2005	McLerran	B62B 3/00
				280/79.11
7,036,833 B1 *	5/2006	Berna	B62B 3/04
				280/166
D546,017 S *	7/2007	Wise	D34/19

D650,545 S *	12/2011	Malone, Jr.	D34/23
8,267,018 B2 *	9/2012	Gunn	B65D 19/0024
				108/51.11
D792,047 S *	7/2017	Garey	D34/12

(Continued)

OTHER PUBLICATIONS

Seltek Warehouse "Square Sheet Steel Deck", <https://www.seltekwarehouse.co.uk/square-sheet-steel-deck-p-2624.html>. Sep. 2017. shown in p. 1, Item # RH-TD601.*

Primary Examiner — Cynthia Ramirez

Assistant Examiner — Michael Maharajh

(74) *Attorney, Agent, or Firm* — Dunlap Bennett & Ludwig PLLC

(57) **CLAIM**

The ornamental design for a dolly with storage rack, as shown and described.

DESCRIPTION

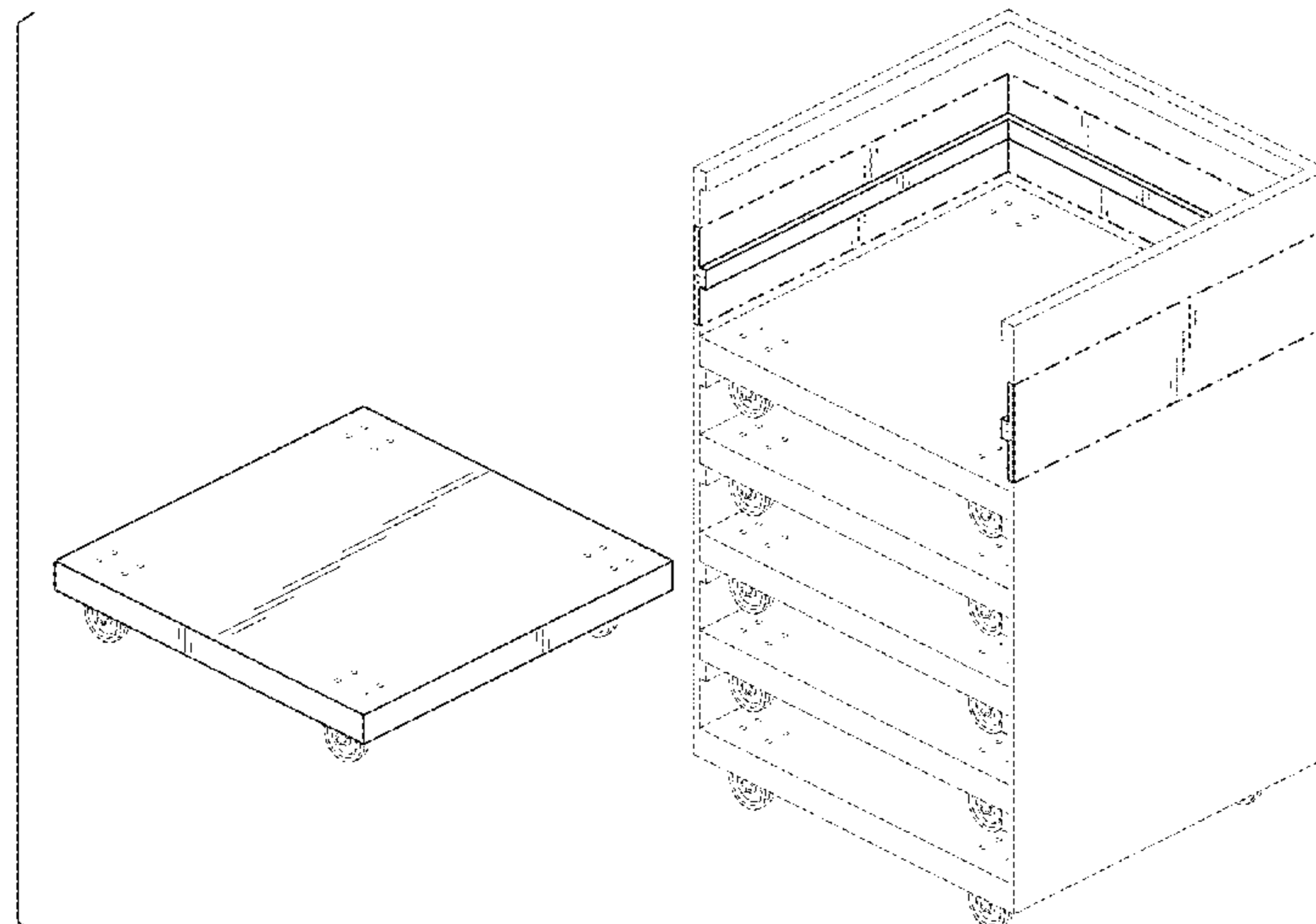
FIG. 1 is a perspective view the dolly with storage rack; FIG. 2 is a front elevation view showing the dolly in a stored position; FIG. 3 is a rear elevation view showing the dolly in a stored position; FIG. 4 is a left side elevation view thereof; FIG. 5 is a right side elevation view thereof; FIG. 6 is a top plan view thereof; FIG. 7 is a bottom plan view thereof; and, FIG. 8 is a perspective view of the dolly with storage rack in use.

The broken lines shown in the drawings illustrate portions of the dolly with storage rack that form no part of the claimed design.

The dot dash dot lines indicate the boundary of the rack that forms no part of the claimed design.

The broken lines in FIG. 8 showing the dolly with storage rack in use illustrates environment and forms no part of the claimed design.

1 Claim, 7 Drawing Sheets



(56)

References Cited

U.S. PATENT DOCUMENTS

2002/0179550 A1* 12/2002 Bennett H05K 7/1494
211/26
2010/0326936 A1* 12/2010 Hanley A47B 81/00
211/162
2012/0018966 A1* 1/2012 Moore B62B 3/002
280/79.11
2012/0043732 A1* 2/2012 Itmec B62B 5/0093
280/79.11
2014/0048500 A1* 2/2014 Brookes A47B 57/10
211/134
2016/0297458 A1* 10/2016 Churchvara B62B 3/02

* cited by examiner

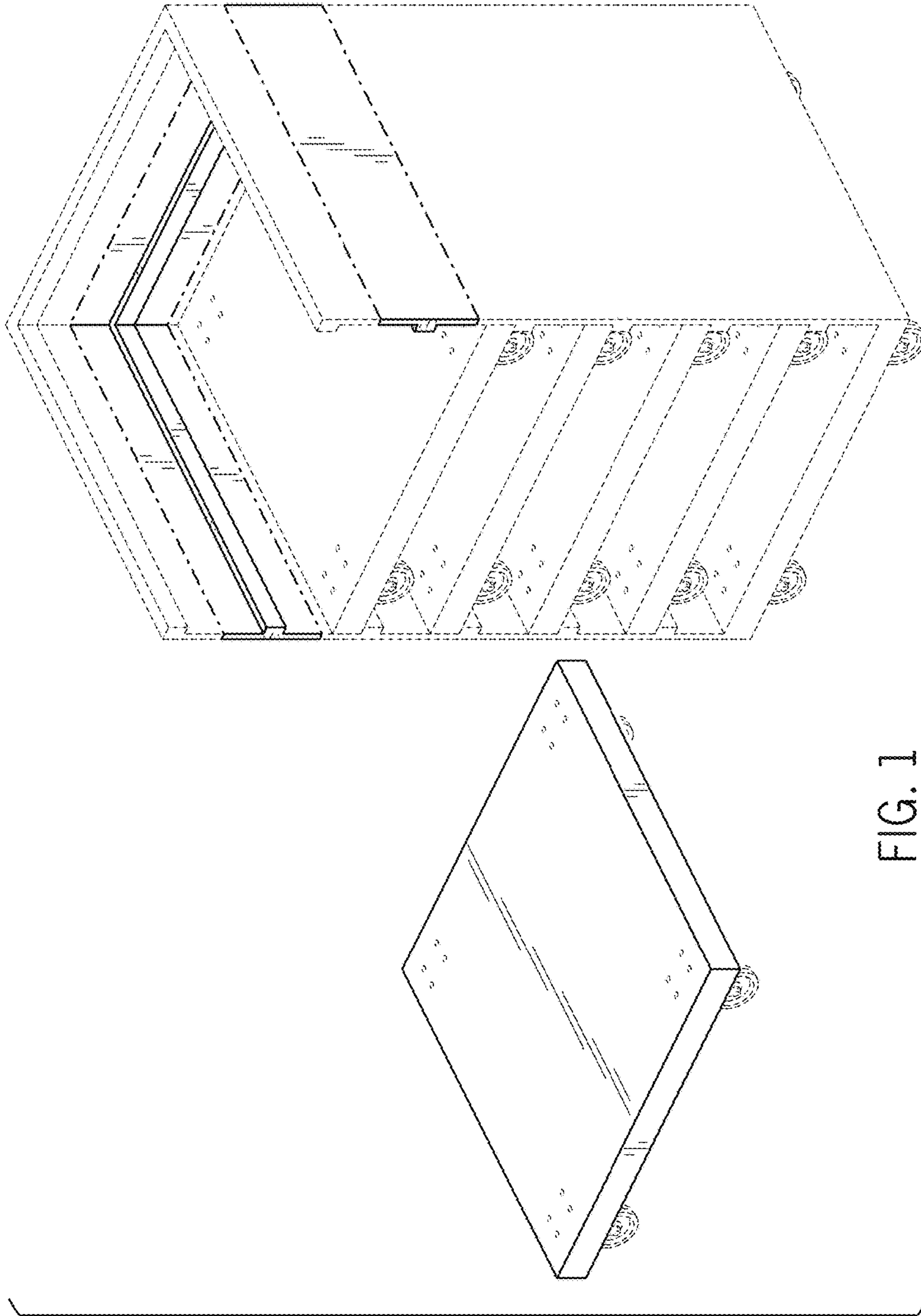


FIG. 1

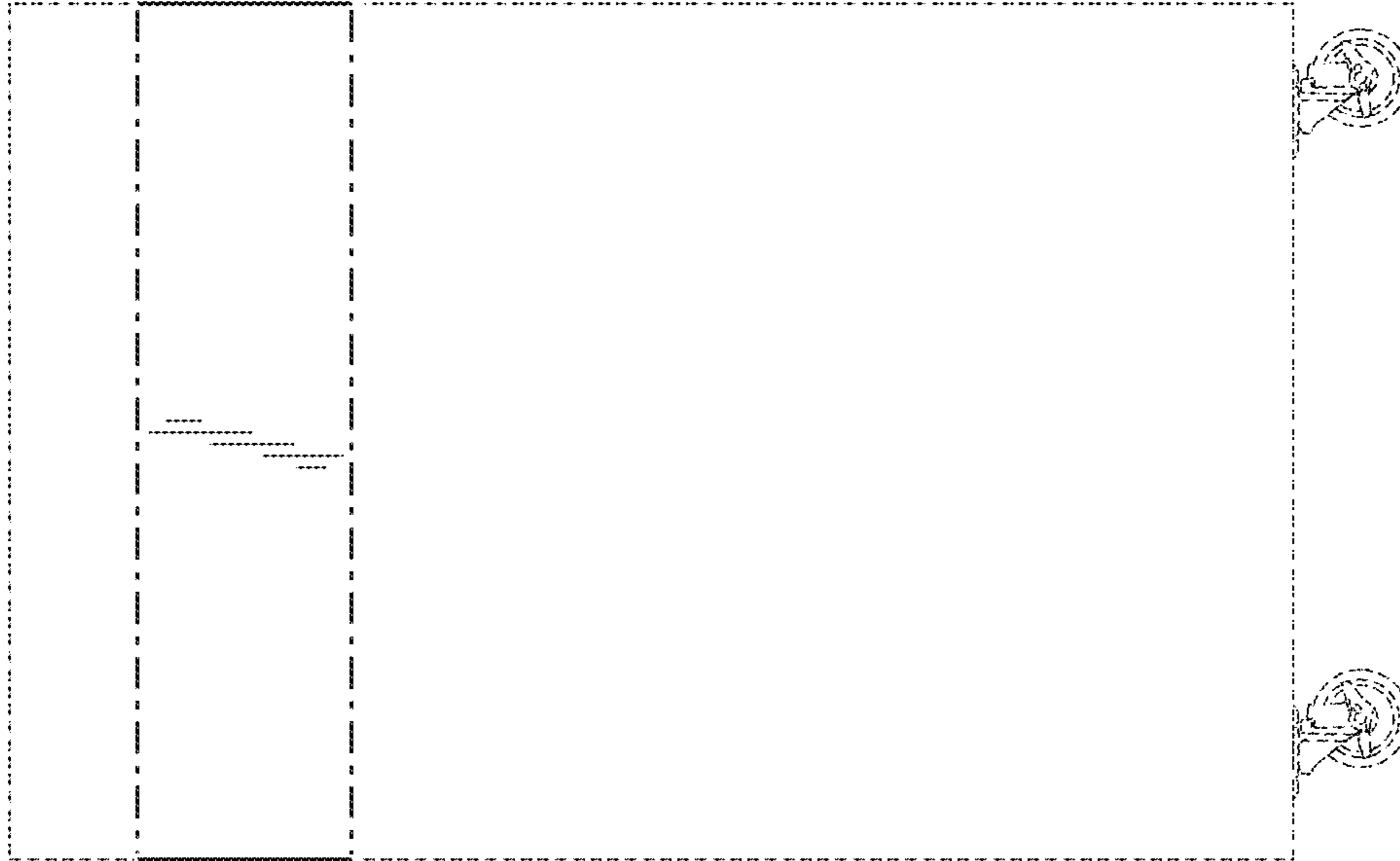


FIG. 3

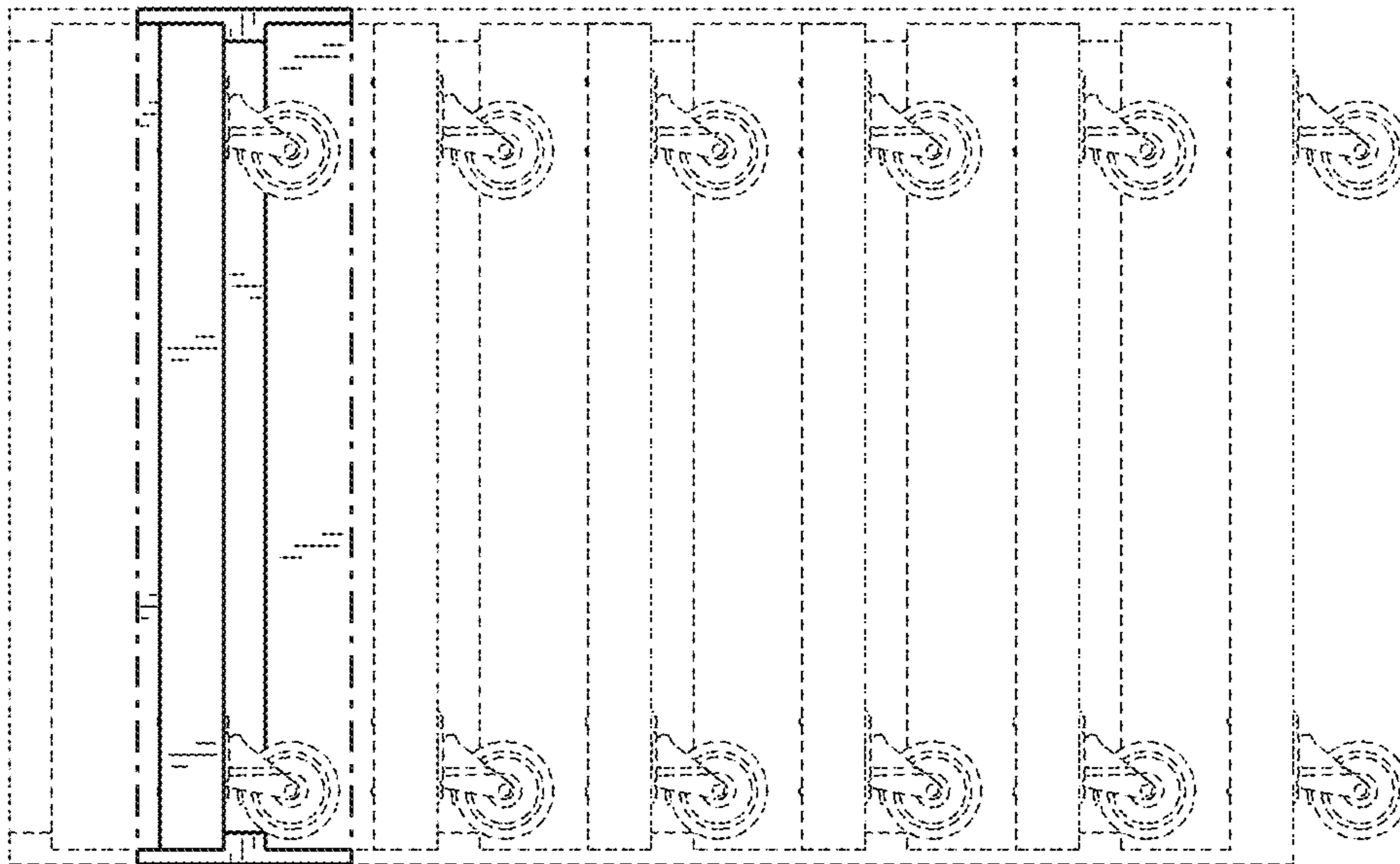


FIG. 2

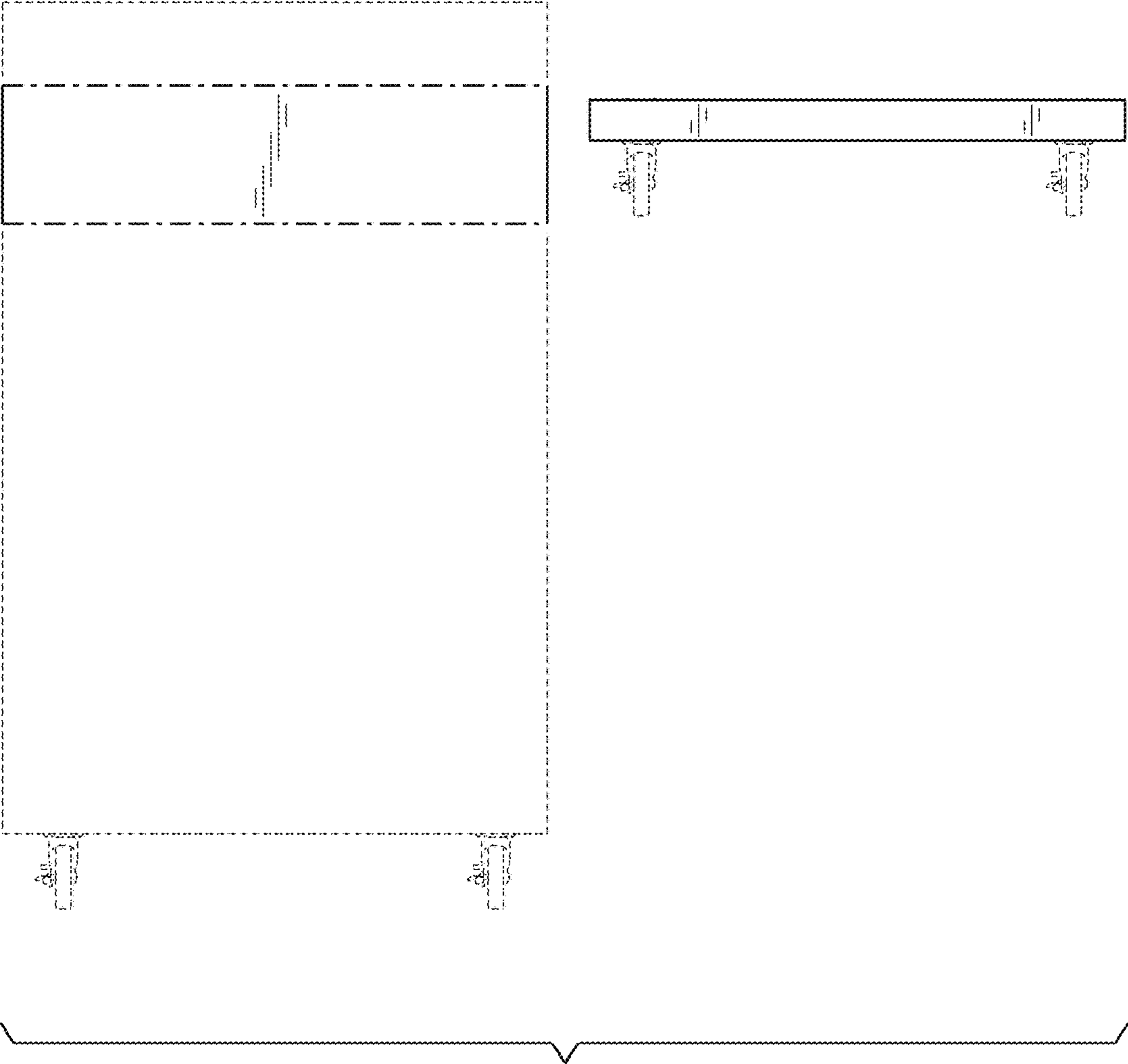


FIG. 4

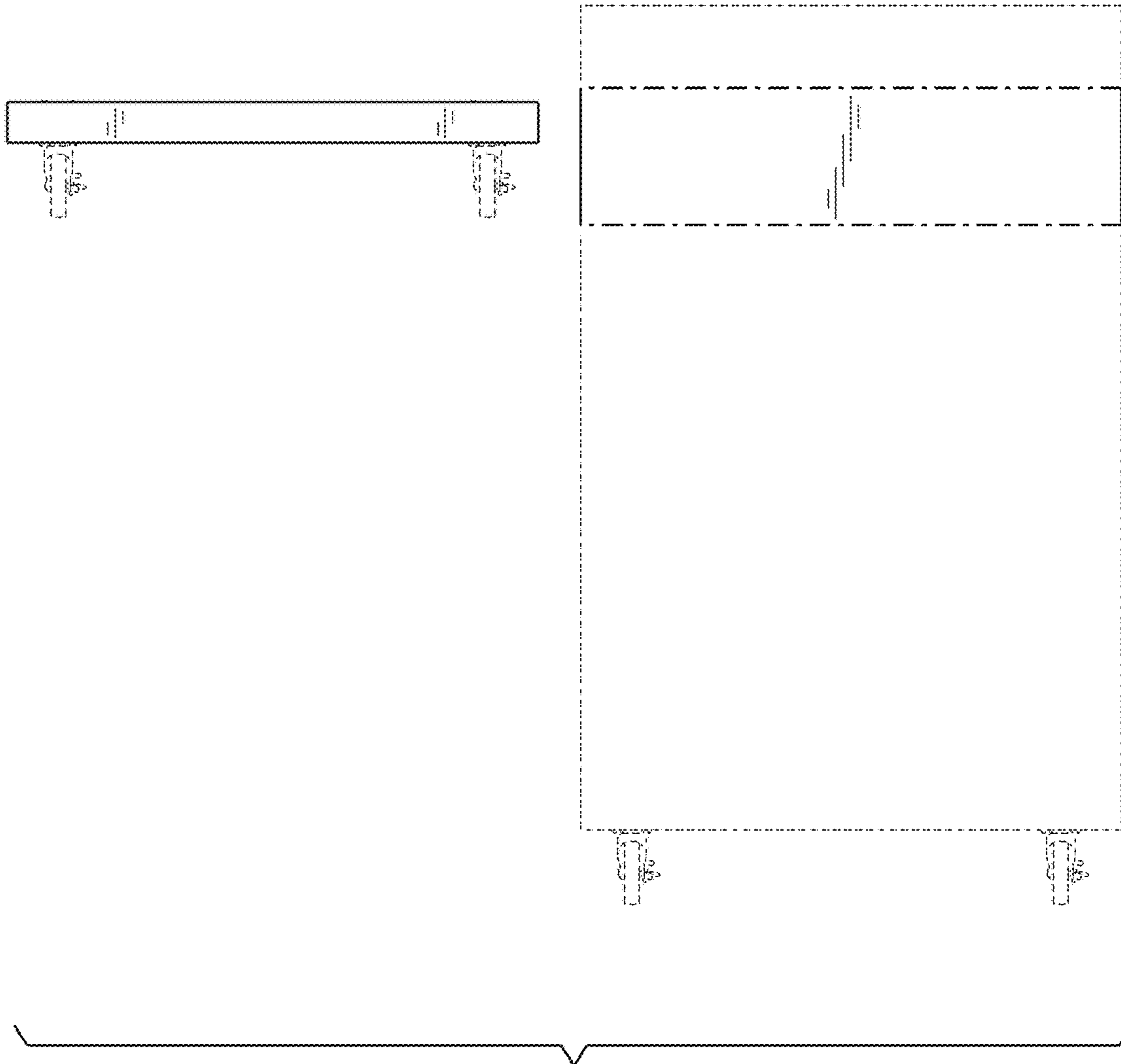


FIG. 5

FIG. 6

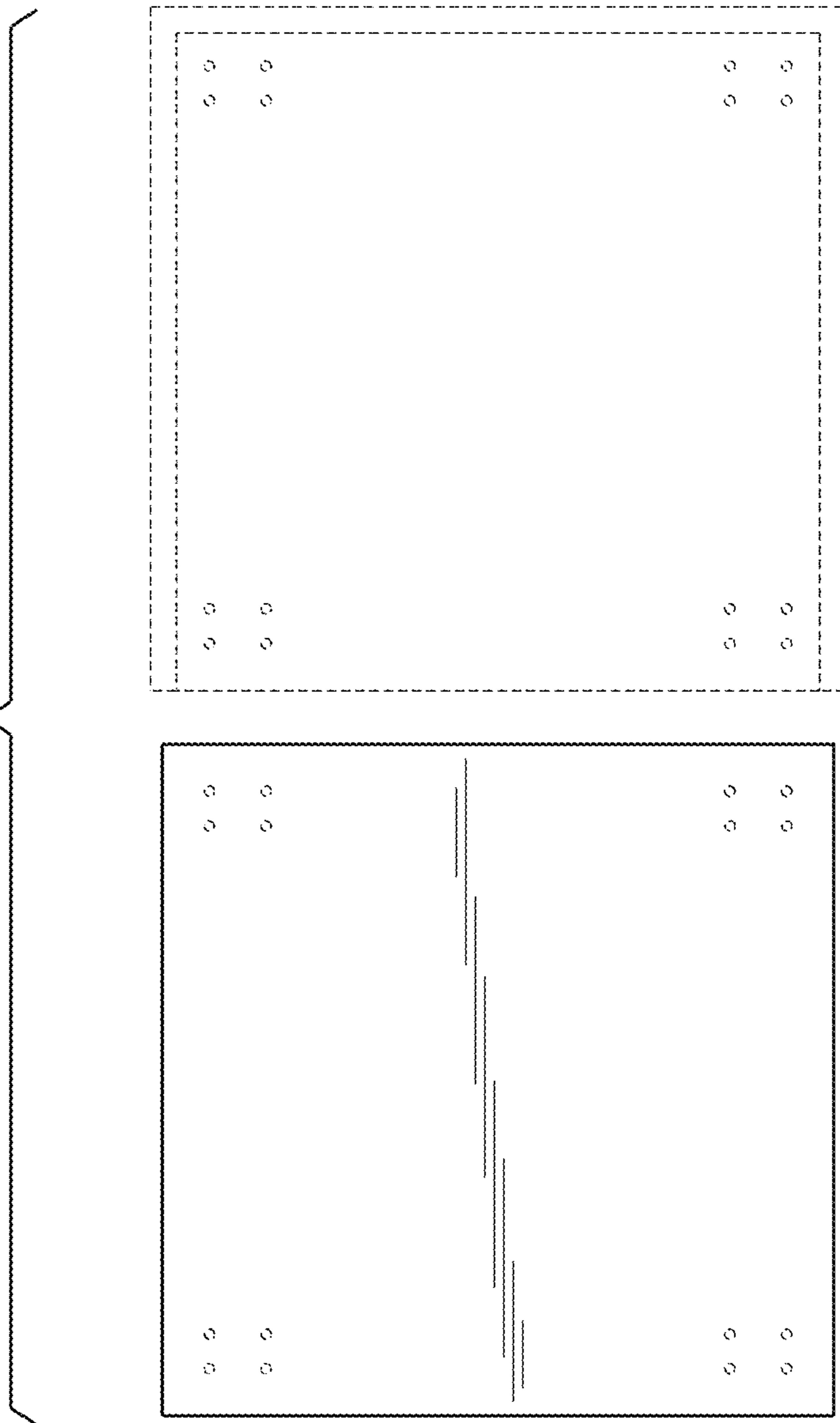
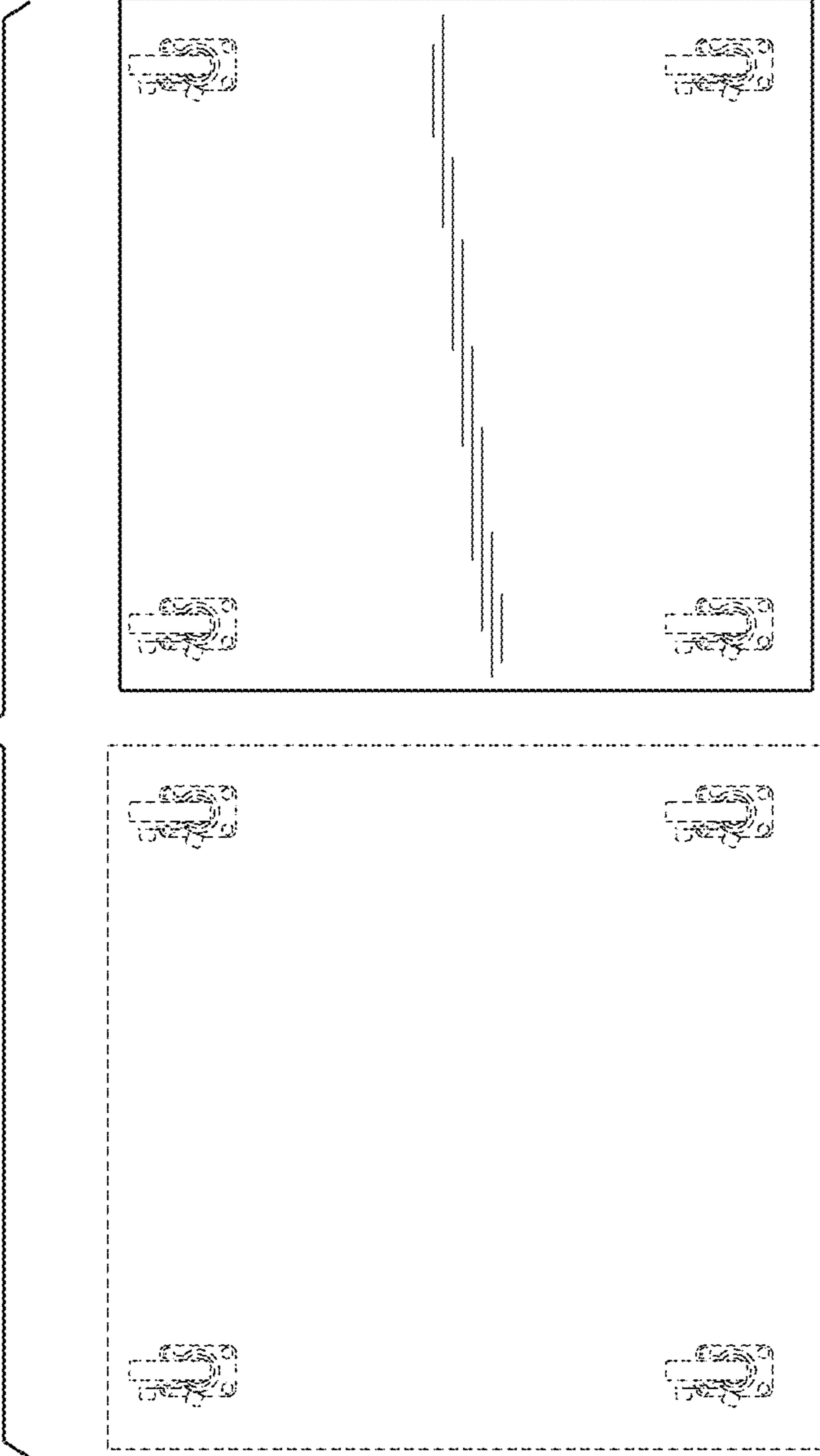


FIG. 7



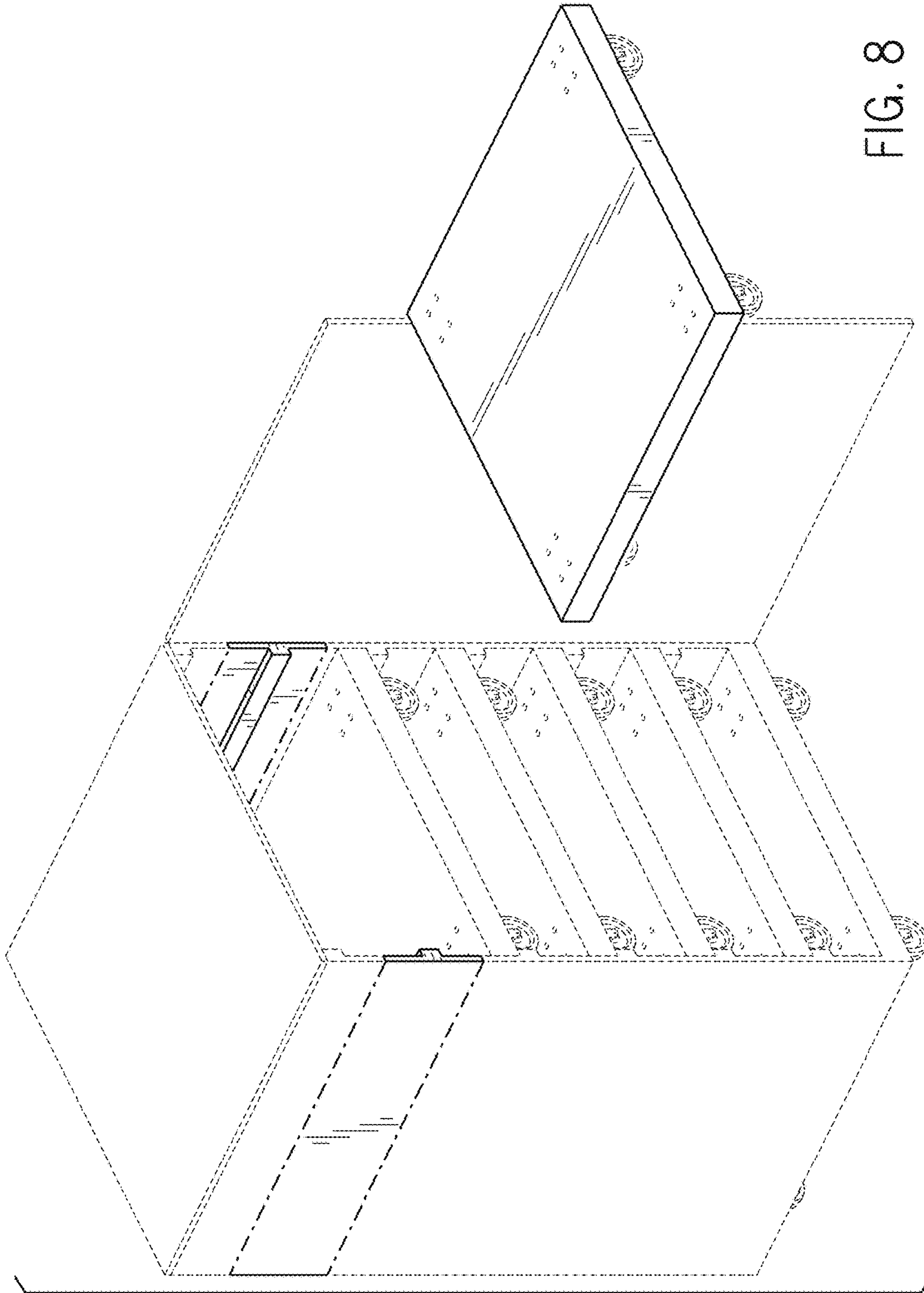


FIG. 8