



US00D804134S

(12) **United States Design Patent** (10) **Patent No.:** **US D804,134 S**
Boyea (45) **Date of Patent:** **** Nov. 28, 2017**

(54) **TRASH CAN EXTENDER**

(71) Applicant: **Christopher E. Boyea**, Burnt Hills, NY (US)

(72) Inventor: **Christopher E. Boyea**, Burnt Hills, NY (US)

(**) Term: **15 Years**

(21) Appl. No.: **29/562,843**

(22) Filed: **Apr. 29, 2016**

(51) **LOC (10) Cl.** **09-09**

(52) **U.S. Cl.**
USPC **D34/10; D34/6**

(58) **Field of Classification Search**
USPC D34/1, 5, 6, 10, 11; 220/908, 908.1; 248/95, 97, 99, 100, 101
CPC B65F 1/1415; B65B 67/1227; B65B 67/12
See application file for complete search history.

(56) **References Cited**

U.S. PATENT DOCUMENTS

4,273,167	A *	6/1981	Stillwell	B65B 67/12 141/314
5,655,739	A *	8/1997	Teh-Wah Goo	B65B 67/1233 141/390
6,296,212	B1 *	10/2001	Monahan	B65B 67/12 248/95
2010/0108826	A1 *	5/2010	Fernandez	B65F 1/10 248/98
2011/0309209	A1 *	12/2011	Muse	B65B 39/007 248/97

* cited by examiner

Primary Examiner — Cynthia Ramirez

(74) *Attorney, Agent, or Firm* — Schmeiser, Olsen & Watts, LLP

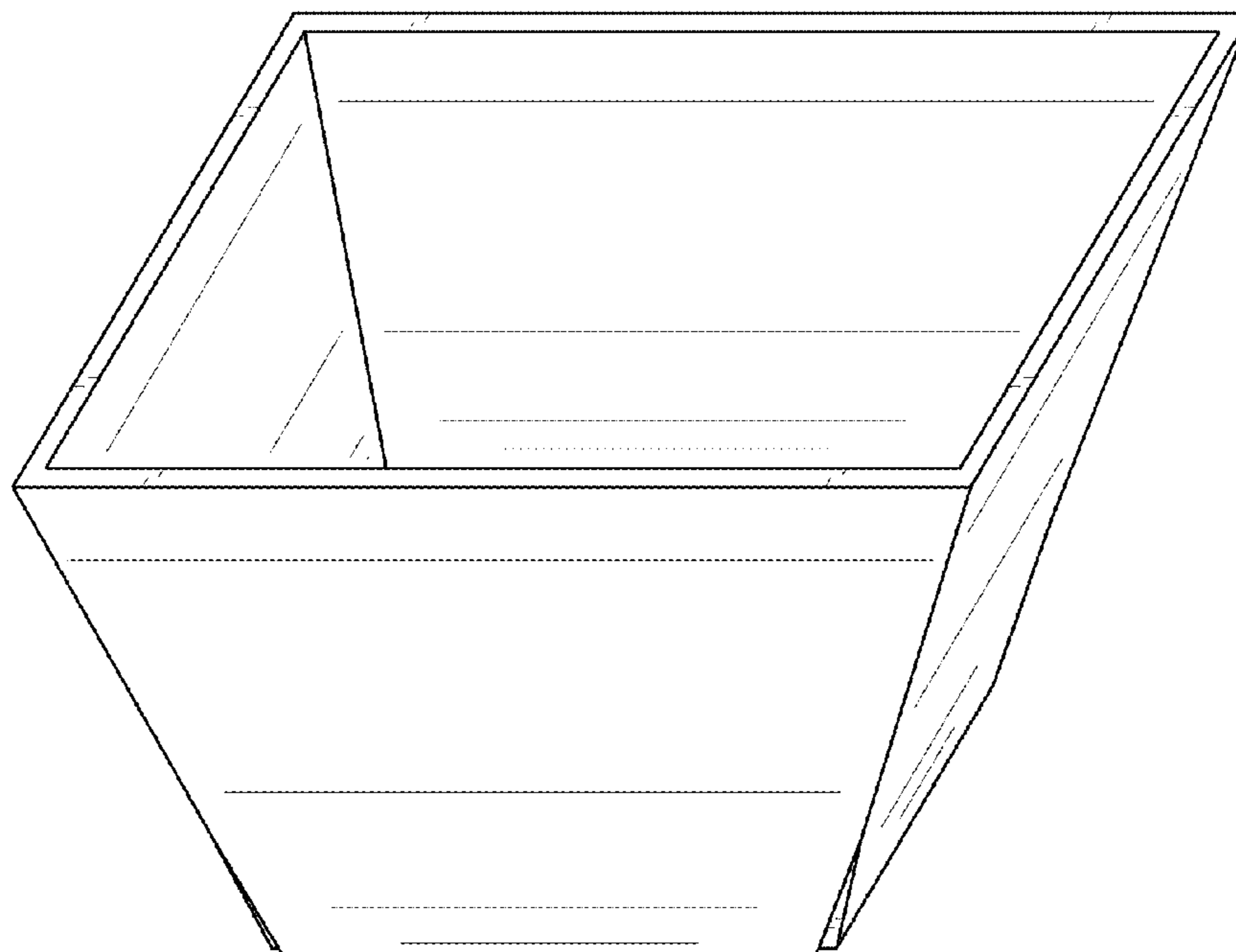
(57) **CLAIM**

The ornamental design for a trash can extender, as shown and described.

DESCRIPTION

FIG. 1 is a front, perspective view of a first embodiment of a trash can extender of my new design;
 FIG. 2 is a side view thereof, wherein each side is a mirror image of the other sides;
 FIG. 3 is a top view thereof;
 FIG. 4 is a bottom view thereof;
 FIG. 5 is a perspective view of the first embodiment of the trash can extender as used with a trash can;
 FIG. 6 is a front, perspective view of a second embodiment of the trash can extender;
 FIG. 7 is a side view thereof, wherein each side is a mirror image of the other sides;
 FIG. 8 is a top view thereof;
 FIG. 9 is a bottom view thereof; and,
 FIG. 10 is a perspective view of the second embodiment of the trash can extender as used with a trash can.
 The broken lines shown in the Figures are for the purpose of illustrating environment and form no part of the claimed design.

1 Claim, 10 Drawing Sheets



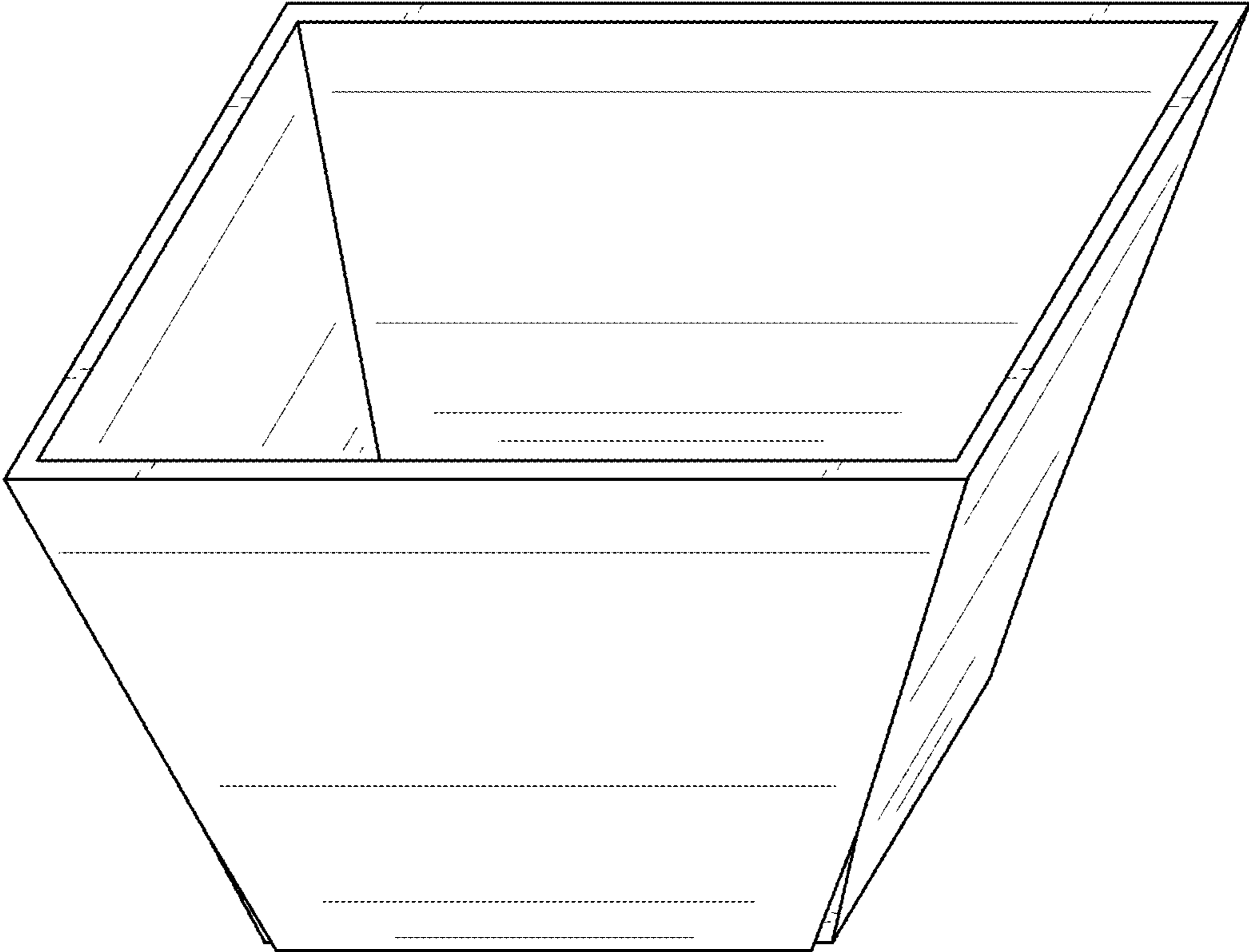


FIG. 1

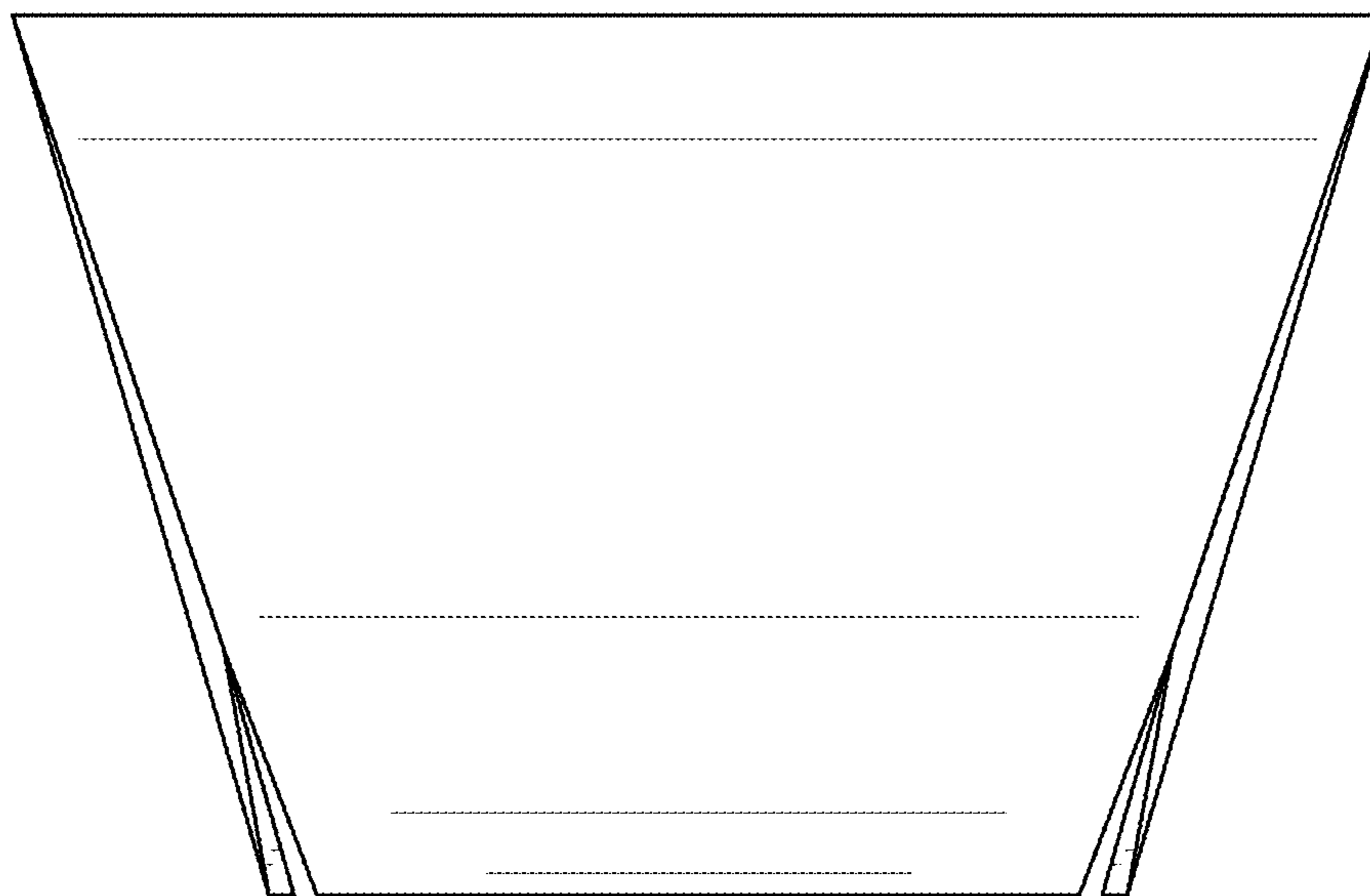


FIG. 2

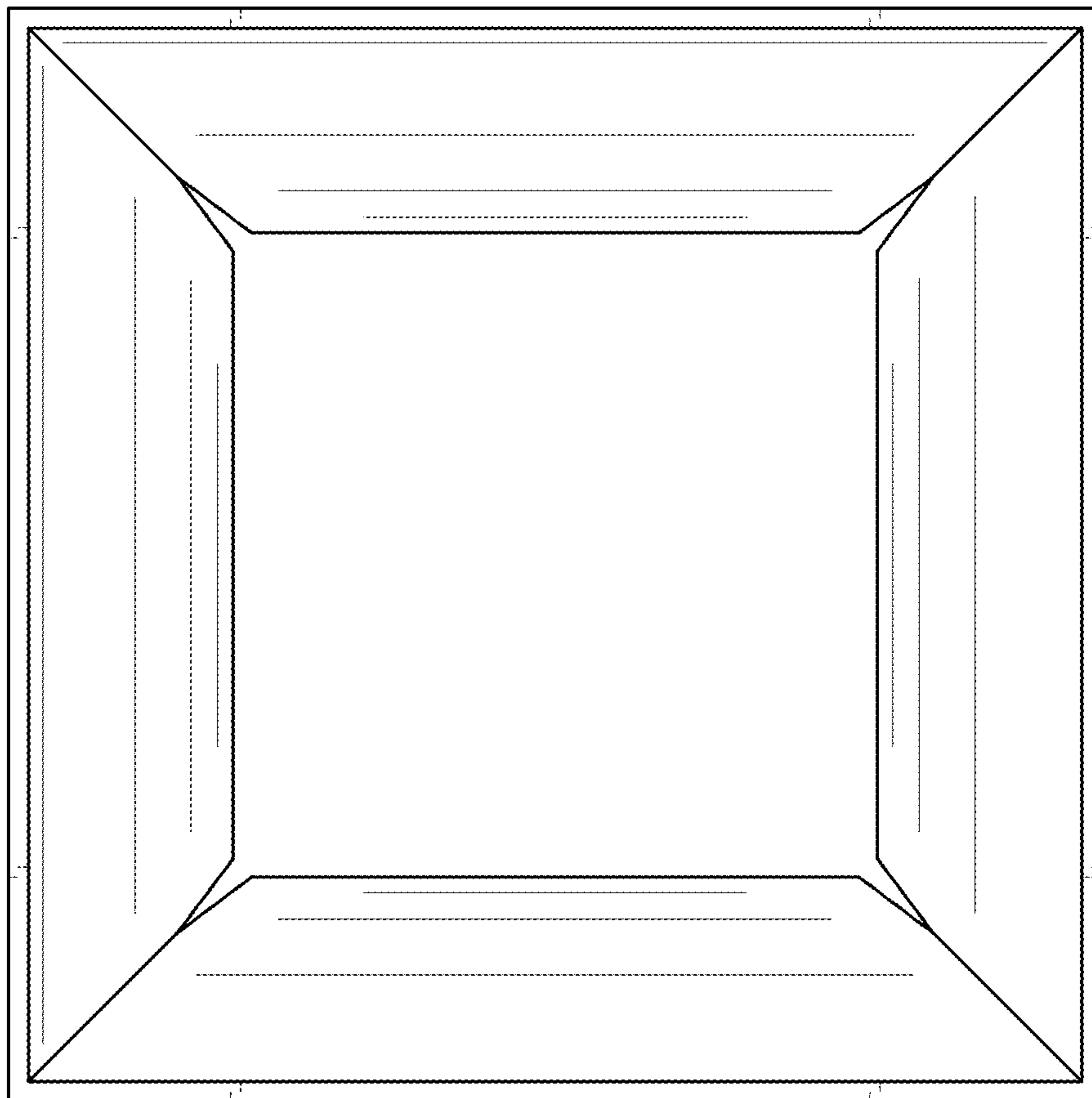


FIG. 3

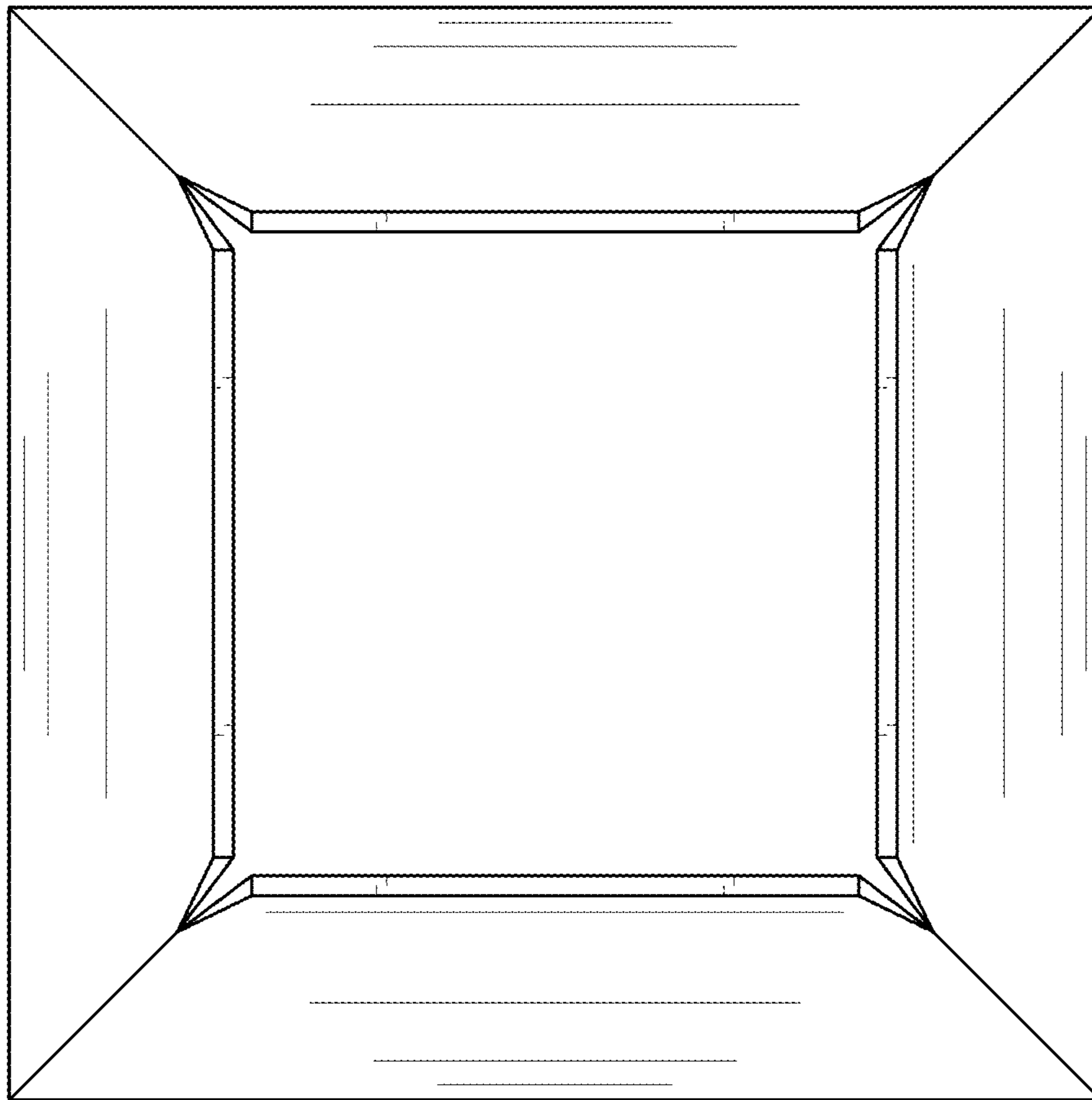


FIG. 4

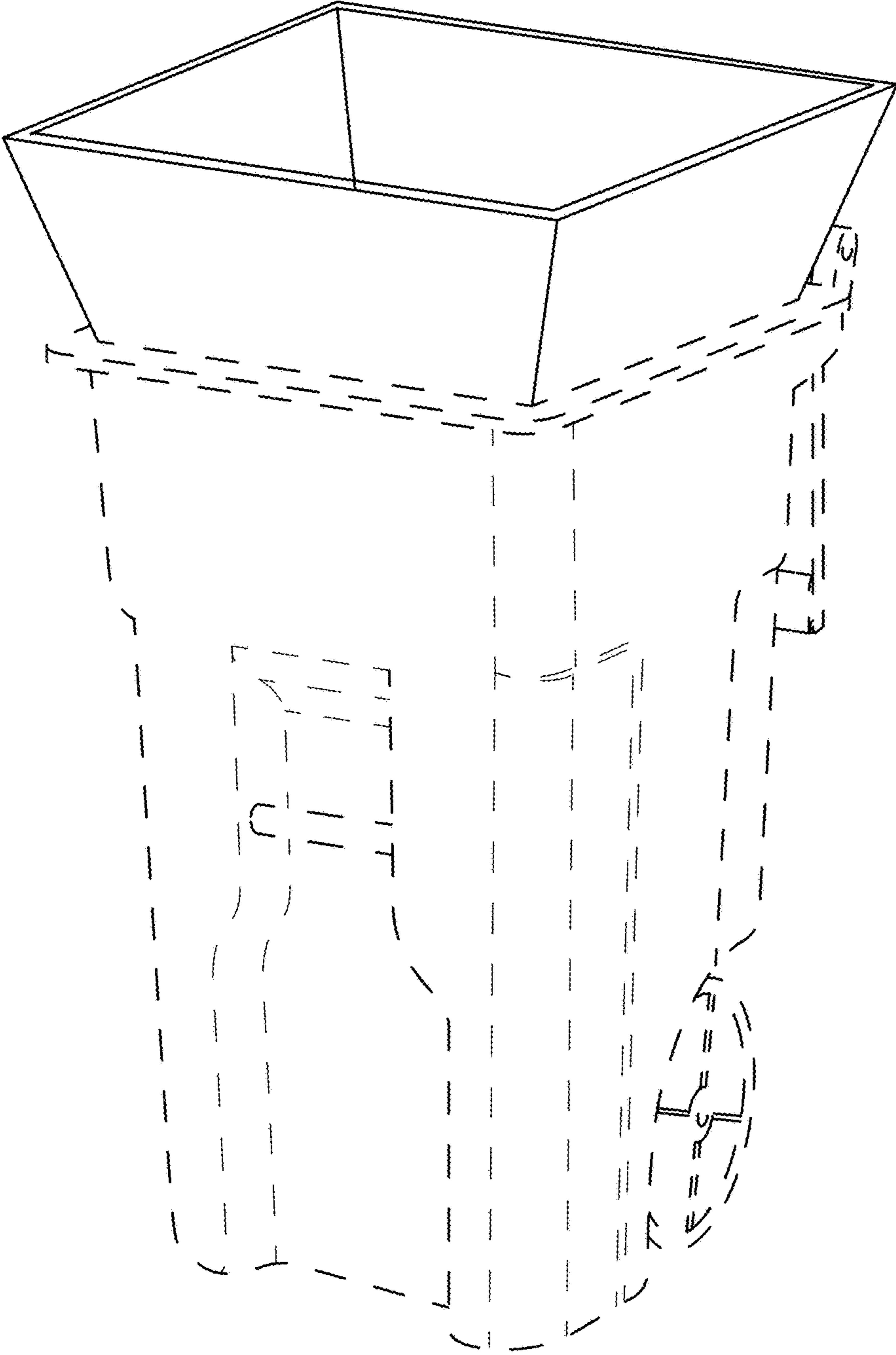


FIG. 5

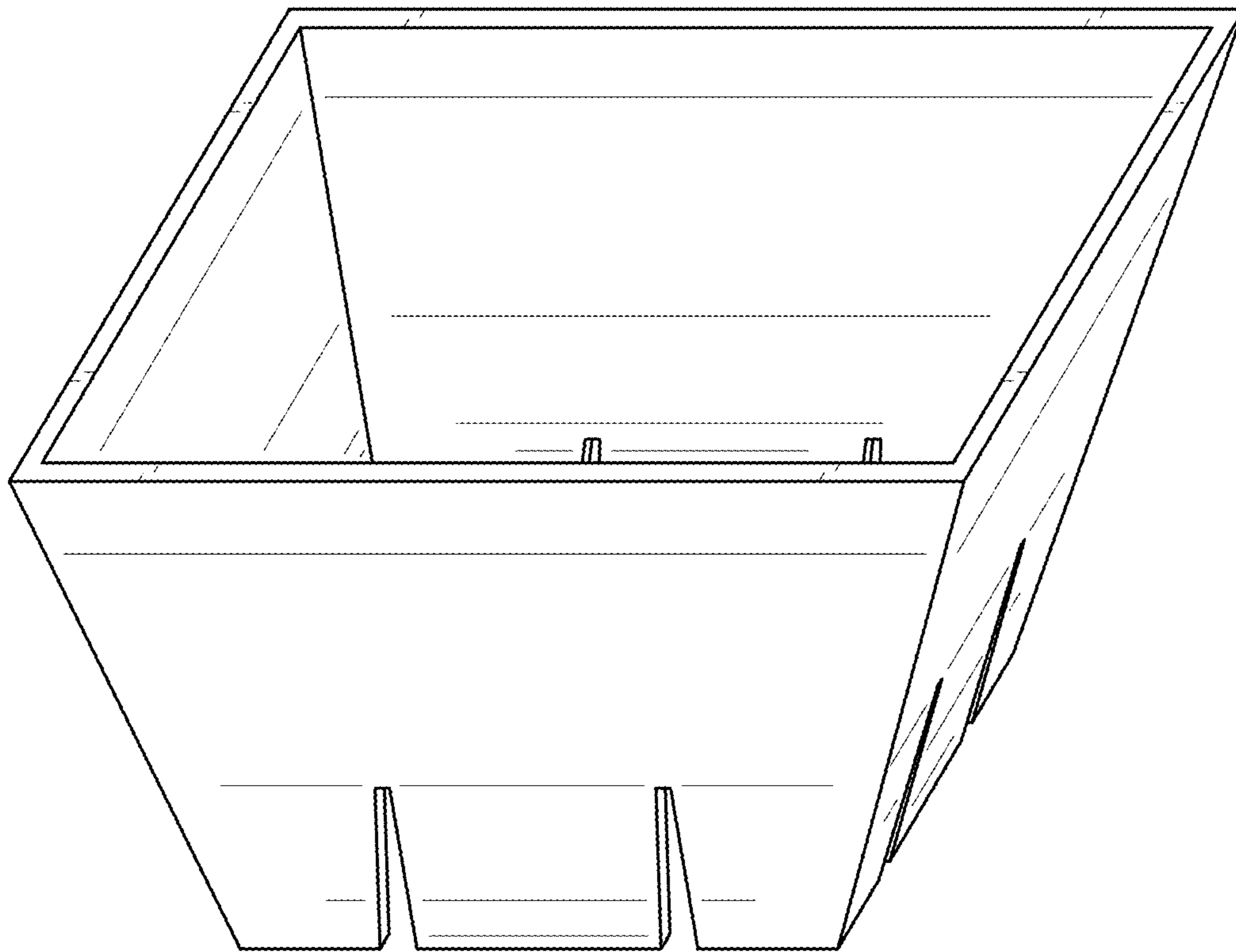


FIG. 6

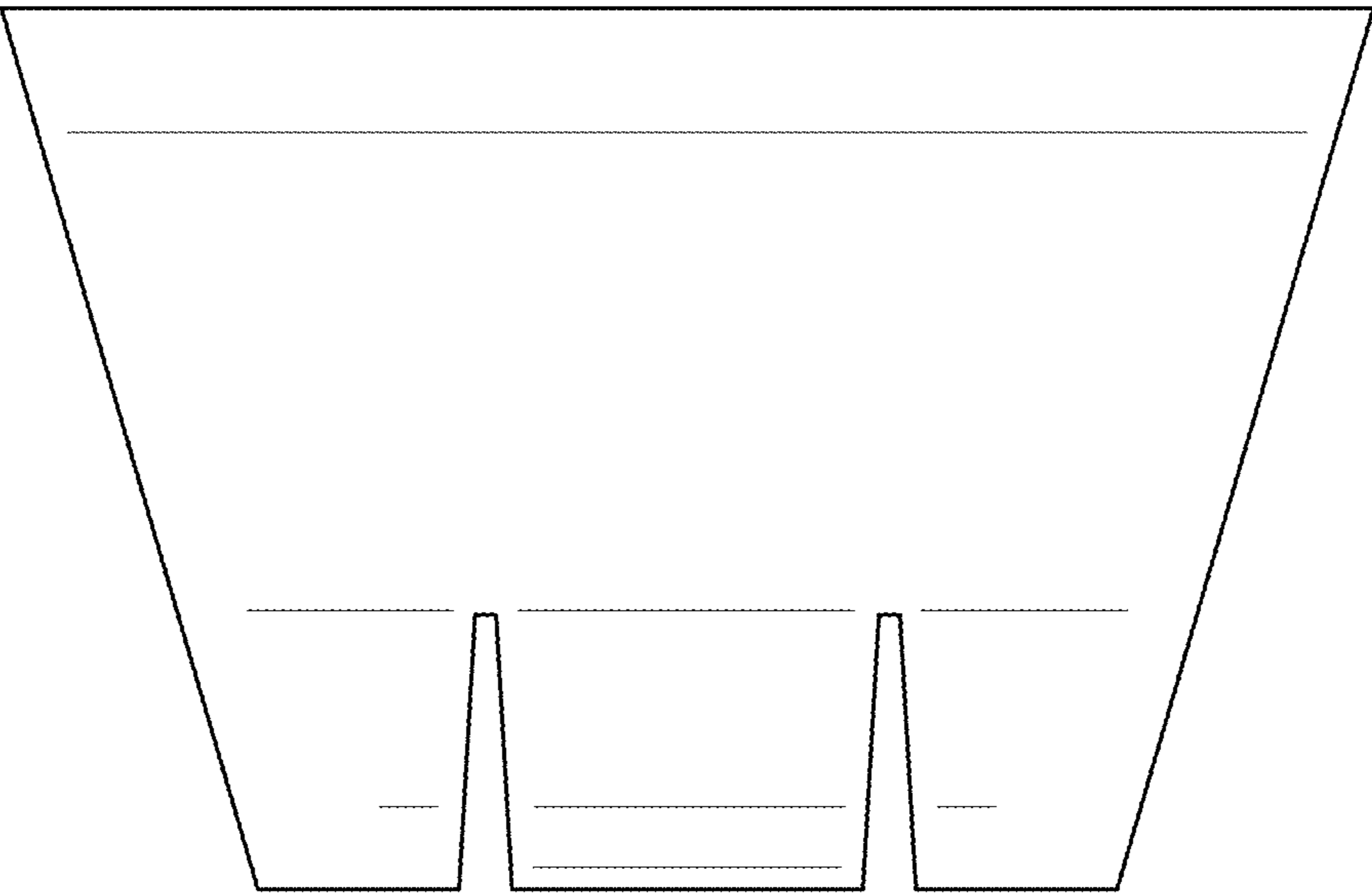


FIG. 7

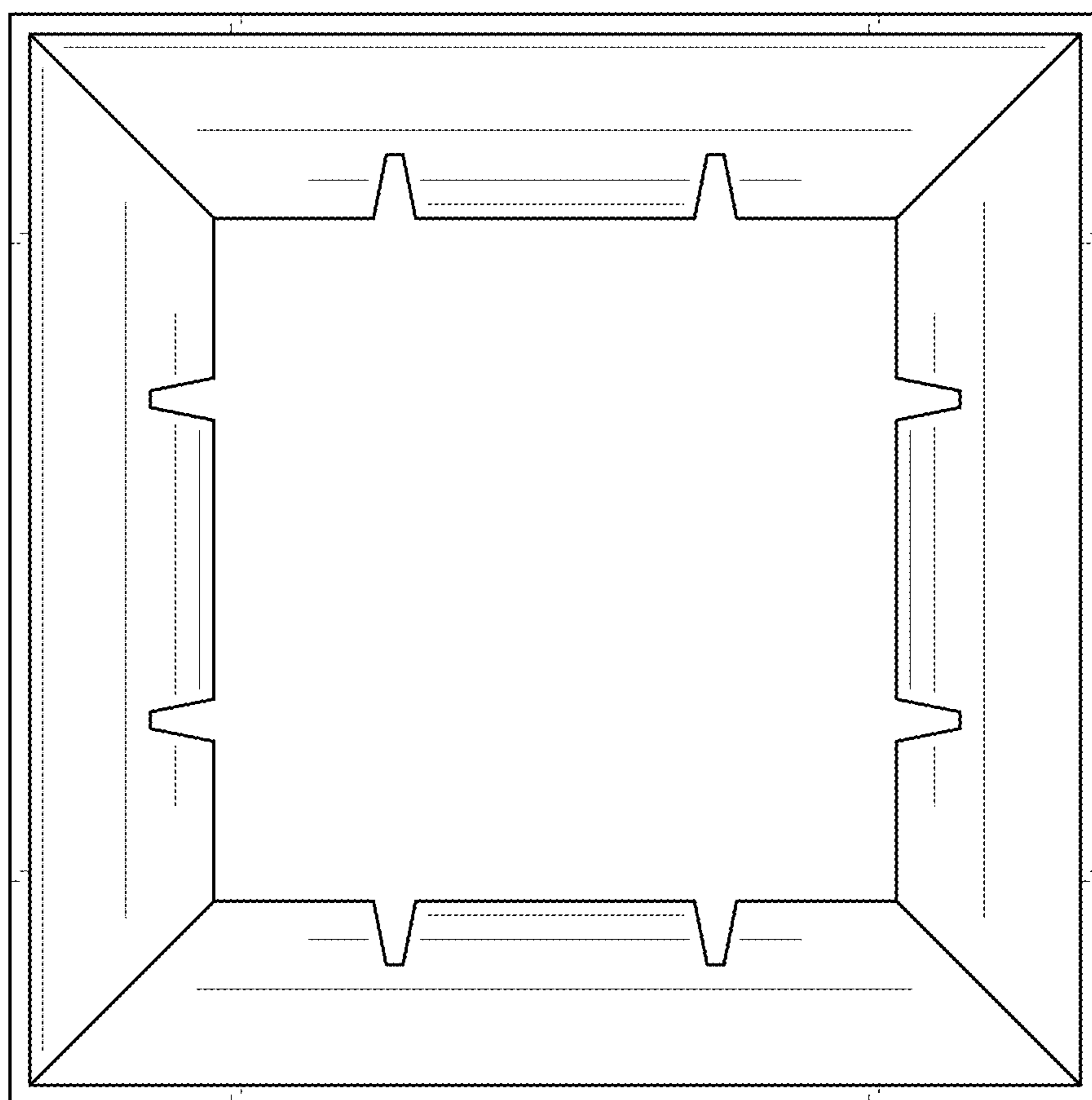


FIG. 8

9/10

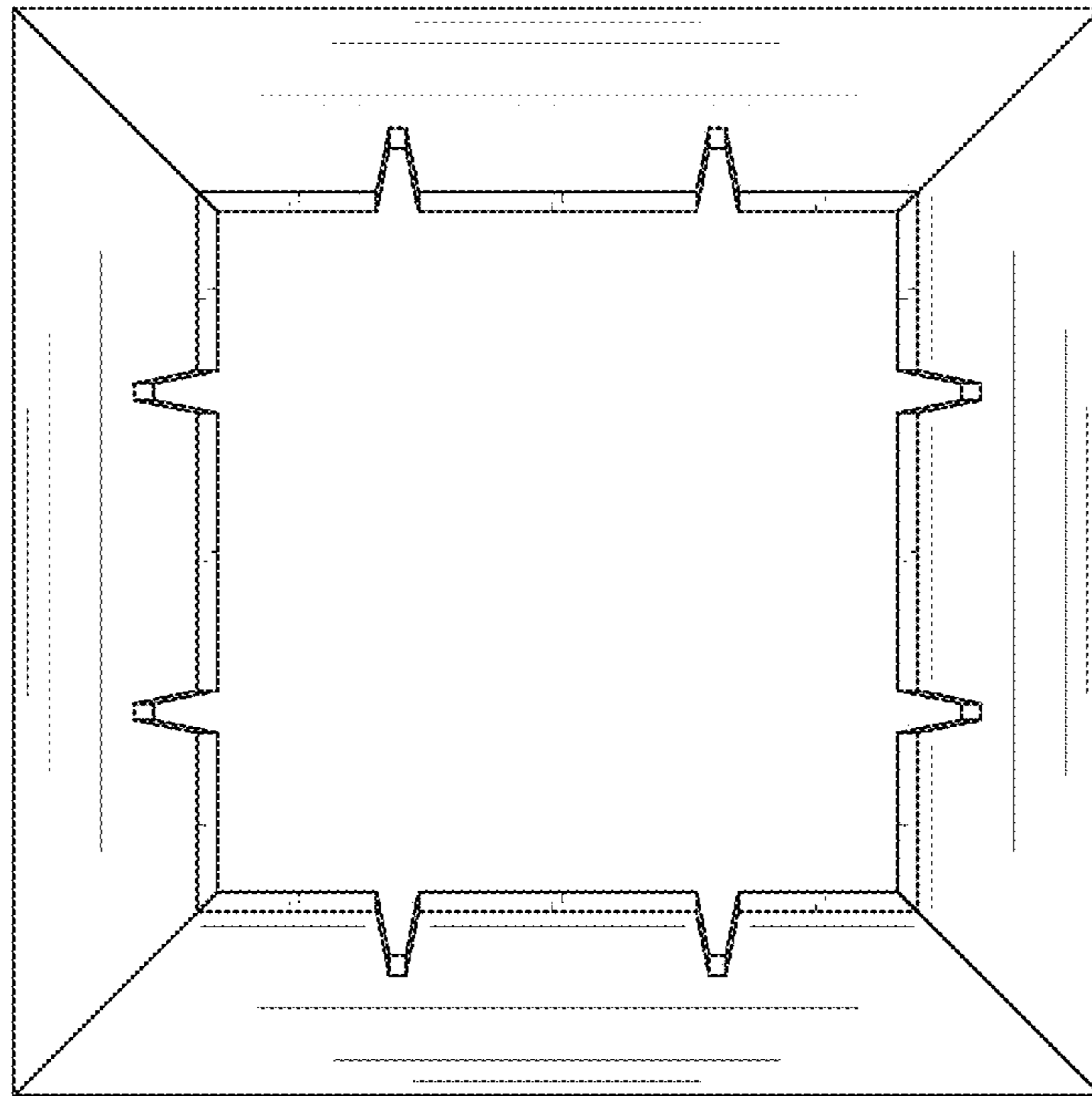


FIG. 9

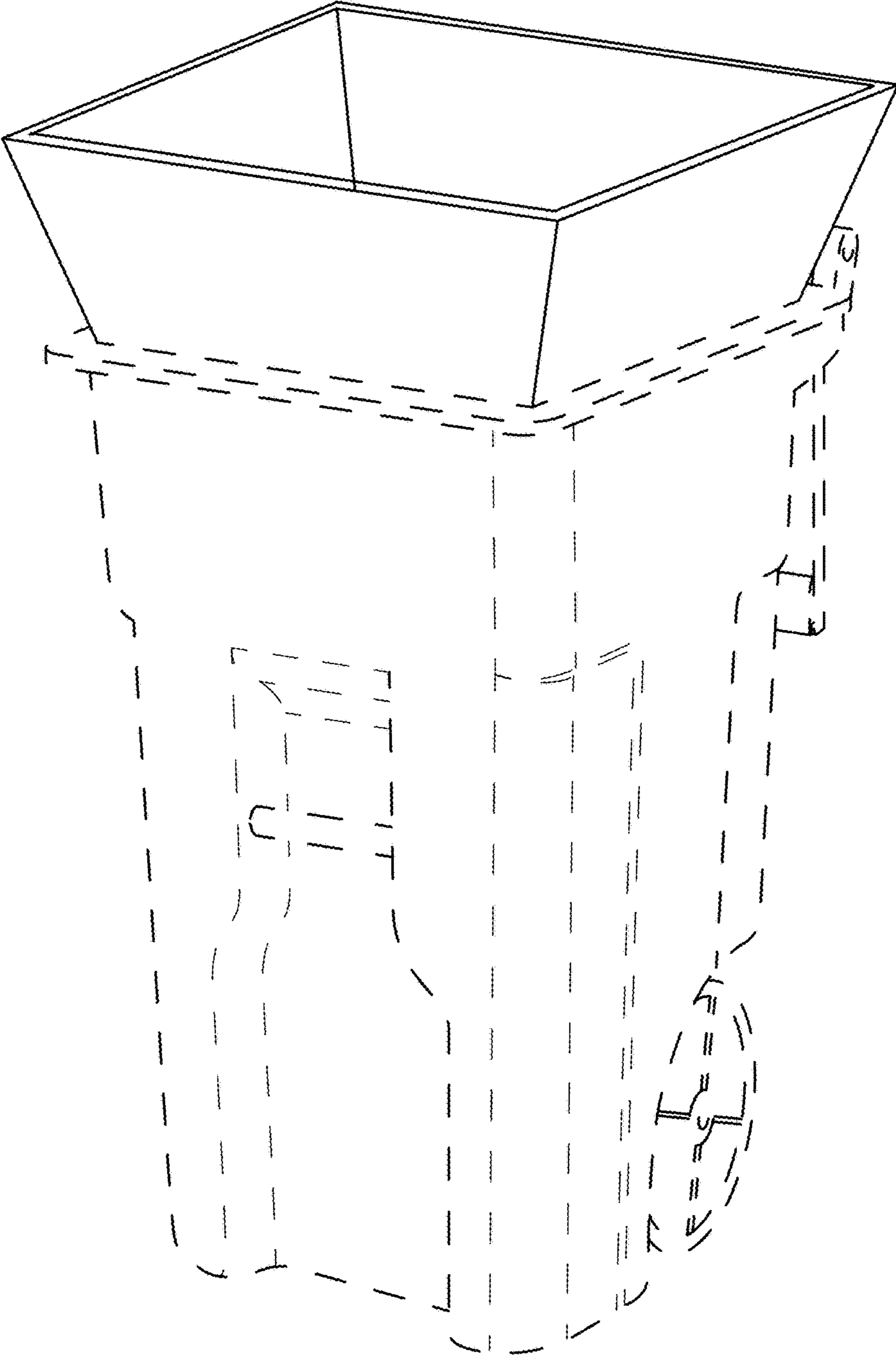


FIG. 10