

US00D804133S

(12) **United States Design Patent** (10) **Patent No.:** **US D804,133 S**
Yang et al. (45) **Date of Patent:** **** Nov. 28, 2017**

(54) **TRASH CAN** 1,922,729 A 8/1933 Geibel
1,980,938 A 11/1934 Geibel
(71) Applicant: **simplehuman, LLC**, Torrance, CA 2,308,326 A 1/1943 Calcagno
(US) (Continued)

(72) Inventors: **Frank Yang**, Rancho Palos Verdes, CA
(US); **Di-Fong Chang**, Torrance, CA
(US); **Myk Wayne Lum**, Irvine, CA
(US); **Adam C. Wade**, Rancho Santa
Margarita, CA (US); **Tzu-Hao Wei**,
Hacienda Heights, CA (US)

FOREIGN PATENT DOCUMENTS

AU 622536 4/1992
CA 2519295 3/2007
(Continued)

(73) Assignee: **simplehuman, LLC**, Torrance, CA
(US)

OTHER PUBLICATIONS

Amazon "simplehuman Liner Rim Dual Bucket Rectangular Recy-
cler with Liner Pocket, Stainless Steel, 58 Liter / 15 Gallon",
www.Amazon.com. Dec. 29, 2015. shown in p. 1, Item # CW2025.*
(Continued)

(**) Term: **15 Years**

Primary Examiner — Cynthia Ramirez
Assistant Examiner — Michael Maharajh
(74) *Attorney, Agent, or Firm* — Knobbe, Martens, Olson
& Bear, LLP

(21) Appl. No.: **29/548,018**

(22) Filed: **Dec. 9, 2015**

(51) **LOC (10) Cl.** **09-09**

(52) **U.S. Cl.**
USPC **D34/9**

(58) **Field of Classification Search**
USPC D23/207, 202, 203; D34/4, 7, 9, 11, 39,
D34/1, 2, 3, 5, 6, 8, 10; 220/62.13, 484,
220/252, 569, 4.04, 703, 737, 748, 908,
220/908.1, 908.2, 909, 495.08, 211, 334,
220/335, 336, 337; D9/737, 738, 770,
D9/772, 777, 778, 781, 783
CPC B65F 1/163; B65F 1/16; B65F 2250/116;
B65F 2250/12
See application file for complete search history.

(57) **CLAIM**

The ornamental design for a trash can, as shown and
described.

DESCRIPTION

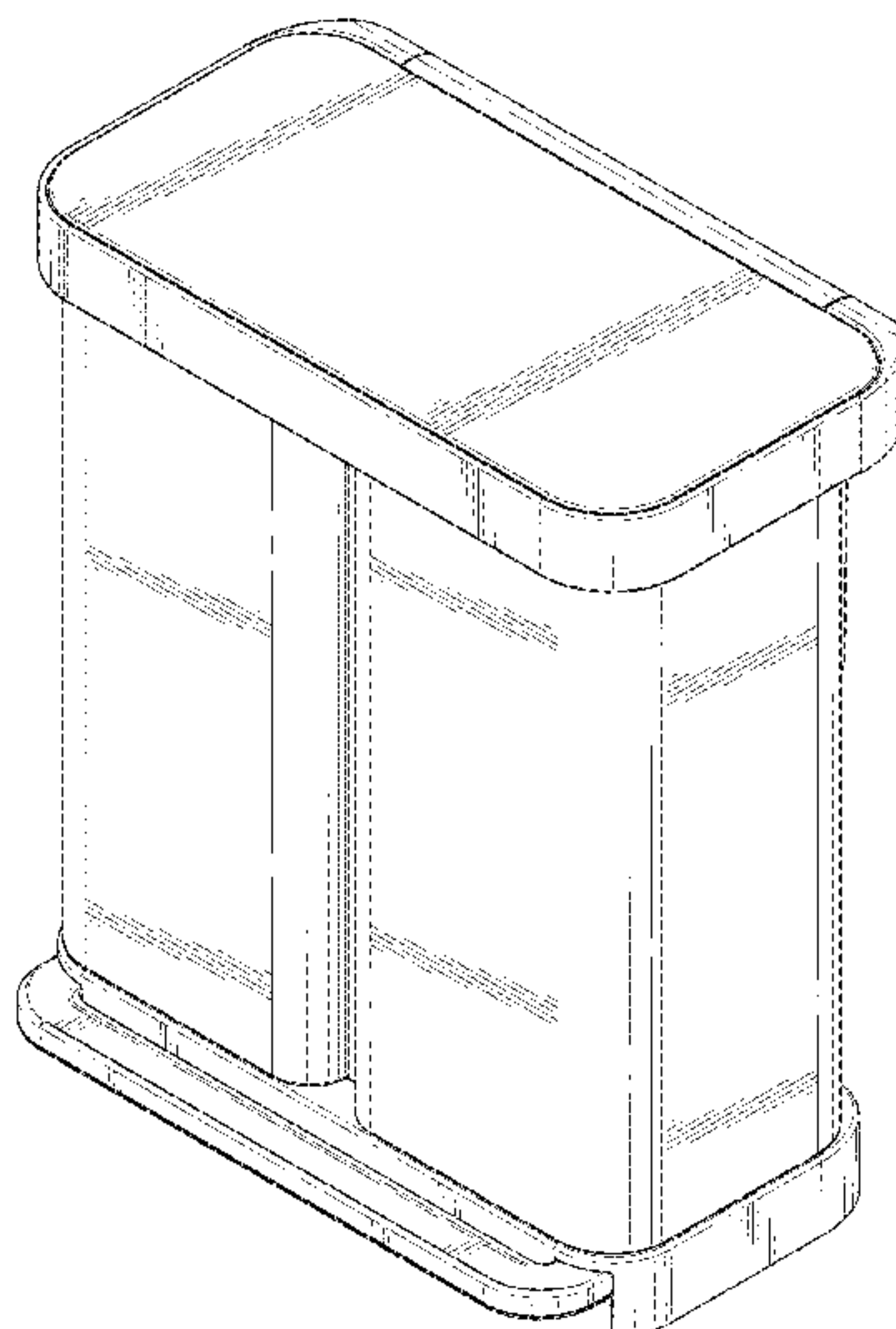
FIG. 1 is a top, front, left-side perspective view of a trash can
showing our new design;
FIG. 2 is a top, rear, left-side perspective view thereof;
FIG. 3 is a front elevation view thereof;
FIG. 4 is a rear elevation view thereof;
FIG. 5 is a right-side elevation view thereof;
FIG. 6 is a left-side elevation view thereof;
FIG. 7 is a top plan view thereof; and,
FIG. 8 is a bottom plan view thereof.
The broken lines shown in the figures are for the purposes
of illustrating portions of the trash can and form no part of
the claimed design.

(56) **References Cited**

U.S. PATENT DOCUMENTS

830,182 A 9/1906 Skov
1,426,211 A 8/1922 Pausin
1,461,253 A 7/1923 Owen
1,754,802 A 4/1930 Raster
1,820,555 A 8/1931 Buschman
1,891,651 A 12/1932 Padelford et al.

1 Claim, 7 Drawing Sheets



(56)

References Cited

U.S. PATENT DOCUMENTS

D148,825 S	2/1948	Snider	5,065,891 A	11/1991	Casey
2,457,274 A	12/1948	Rifken	5,076,462 A	12/1991	Perrone
2,759,625 A	8/1956	Ritter	D323,573 S	1/1992	Schneider
2,796,309 A	6/1957	Norris	5,090,585 A	2/1992	Power
2,888,307 A	5/1959	Graves et al.	5,090,785 A	2/1992	Stamp
2,946,474 A	7/1960	Knapp	5,100,087 A	3/1992	Ashby
3,008,604 A	11/1961	Garner	5,111,958 A	5/1992	Witthoeft
3,023,922 A	3/1962	Arrington et al.	D327,760 S	7/1992	Donnelly
3,137,408 A	6/1964	Taylor	D329,929 S	9/1992	Knoedler et al.
3,300,082 A	1/1967	Patterson	5,147,055 A	9/1992	Samson et al.
3,392,825 A	7/1968	Gale et al.	5,156,290 A	10/1992	Rodrigues
3,451,453 A	6/1969	Heck	D331,097 S *	11/1992	Sieren D23/207
3,654,534 A	4/1972	Fischer	5,170,904 A	12/1992	Neuhaus
3,800,503 A	4/1974	Maki	5,174,462 A	12/1992	Hames
3,820,200 A	6/1974	Myers	D335,562 S	5/1993	Evans
3,825,150 A	7/1974	Taylor	5,213,272 A	5/1993	Gallagher et al.
3,825,215 A	7/1974	Borglum	5,222,704 A	6/1993	Light
3,886,425 A	5/1975	Weiss	D337,181 S	7/1993	Warman
3,888,406 A	6/1975	Nippes	5,226,558 A	7/1993	Whitney et al.
3,891,115 A	6/1975	Ono	5,230,525 A	7/1993	Delmerico et al.
4,014,457 A	3/1977	Hodge	5,242,074 A	9/1993	Conaway et al.
4,027,774 A	6/1977	Cote	D340,333 S	10/1993	Duran et al.
4,081,105 A	3/1978	Dagonnet et al.	5,249,693 A	10/1993	Gillispie et al.
4,189,808 A	2/1980	Brown	5,261,553 A	11/1993	Mueller et al.
4,200,197 A	4/1980	Meyer et al.	5,265,511 A	11/1993	Itzov
4,217,616 A	8/1980	Jessup	5,295,607 A	3/1994	Chang
4,303,174 A	12/1981	Anderson	5,305,916 A	4/1994	Suzuki et al.
4,320,851 A	3/1982	Montoya	5,314,151 A	5/1994	Carter-Mann
4,349,123 A	9/1982	Yang	5,322,179 A	6/1994	Ting
4,357,740 A	11/1982	Brown	5,329,212 A	7/1994	Feigleson
4,416,197 A	11/1983	Kehl	5,348,222 A	9/1994	Patey
4,417,669 A	11/1983	Knowles et al.	5,353,950 A	10/1994	Taylor et al.
4,457,483 A	7/1984	Gagne	5,372,272 A	12/1994	Jennings
4,535,911 A	8/1985	Goulter	5,381,588 A	1/1995	Nelson
4,570,304 A	2/1986	Montreuil et al.	5,385,258 A	1/1995	Sutherlin
4,576,310 A	3/1986	Isgar et al.	5,390,818 A	2/1995	LaBuda
D284,320 S	6/1986	Kubic et al.	5,404,621 A	4/1995	Heinke
4,609,117 A	9/1986	Pamment	5,407,089 A	4/1995	Bird et al.
4,630,332 A	12/1986	Bisbing	5,419,452 A	5/1995	Mueller et al.
4,630,752 A	12/1986	DeMars	5,471,708 A	12/1995	Lynch
4,664,347 A	5/1987	Brown et al.	5,474,201 A	12/1995	Liu
4,697,312 A	10/1987	Freyer	5,501,358 A	3/1996	Hobday
4,711,161 A	12/1987	Swin et al.	5,520,067 A	5/1996	Gaba
4,729,490 A	3/1988	Ziegenbein	5,520,303 A	5/1996	Bernstein et al.
4,753,367 A	6/1988	Miller et al.	5,531,348 A	7/1996	Baker et al.
4,763,808 A	8/1988	Guhl et al.	5,535,913 A	7/1996	Asbach et al.
4,765,548 A	8/1988	Sing	5,558,254 A	9/1996	Anderson et al.
4,765,579 A	8/1988	Robbins, III et al.	5,560,283 A	10/1996	Hannig
4,785,964 A	11/1988	Miller et al.	5,584,412 A	12/1996	Wang
4,792,039 A	12/1988	Dayton	D377,554 S	1/1997	Adriaansen
4,794,973 A	1/1989	Perisic	5,611,507 A	3/1997	Smith
4,813,592 A	3/1989	Stolzman	5,628,424 A	5/1997	Gola
4,823,979 A	4/1989	Clark, Jr.	5,632,401 A	5/1997	Hurd
4,834,260 A	5/1989	Auten	5,636,416 A	6/1997	Anderson
4,863,053 A	9/1989	Oberg	5,636,761 A	6/1997	Diamond et al.
4,867,339 A	9/1989	Hahn	5,644,111 A	7/1997	Cerny et al.
4,869,391 A	9/1989	Farrington	5,645,186 A	7/1997	Powers et al.
4,884,717 A	12/1989	Bussard et al.	5,650,680 A	7/1997	Chula
4,888,532 A	12/1989	Josson	D383,277 S	9/1997	Peters
4,892,223 A	1/1990	DeMent	5,662,235 A	9/1997	Nieto
4,892,224 A	1/1990	Graham	5,671,847 A	9/1997	Pedersen et al.
4,913,308 A	4/1990	Culbertson	5,690,247 A	11/1997	Boover
4,915,347 A	4/1990	Iqbal et al.	5,695,088 A	12/1997	Kasbohm
4,918,568 A	4/1990	Stone et al.	5,699,929 A	12/1997	Ouno
D308,272 S	5/1990	Koepsell	D388,922 S	1/1998	Peters
4,923,087 A	5/1990	Burrows	D389,631 S	1/1998	Peters
4,944,419 A	7/1990	Chandler	5,704,511 A	1/1998	Kellams
4,948,004 A	8/1990	Chich	5,724,837 A	3/1998	Shin
4,964,523 A	10/1990	Bieltvedt et al.	5,730,312 A	3/1998	Hung
4,972,966 A	11/1990	Craft, Jr.	5,732,845 A	3/1998	Armaly, Jr.
4,996,467 A	2/1991	Day	5,735,495 A	4/1998	Kubota
5,031,793 A	7/1991	Chen et al.	5,738,239 A	4/1998	Triglia
5,048,903 A	9/1991	Loblein	5,770,935 A	6/1998	Smith et al.
5,054,724 A	10/1991	Hutcheson	5,799,909 A	9/1998	Ziegler
5,065,272 A	11/1991	Owen et al.	5,816,431 A	10/1998	Giannopoulos
			5,816,640 A	10/1998	Nishimura
			D401,383 S	11/1998	Gish
			D401,719 S	11/1998	Van Leeuwen et al.
			5,873,643 A	2/1999	Burgess, Jr. et al.

(56)

References Cited

U.S. PATENT DOCUMENTS

5,881,896	A	3/1999	Presnell et al.	7,080,750	B2	7/2006	Wein et al.
5,881,901	A	3/1999	Hampton	7,086,550	B2	8/2006	Yang et al.
5,884,237	A	3/1999	Kanki et al.	D528,726	S	9/2006	Lin
5,887,748	A	3/1999	Nguyen	7,121,421	B2	10/2006	Yang et al.
D412,552	S *	8/1999	Burrows D23/209	D531,499	S	11/2006	Zaidman
5,961,105	A	10/1999	Ehrnsberger et al.	D535,799	S	1/2007	Epps
5,967,392	A	10/1999	Niemi et al.	D535,800	S	1/2007	Yang et al.
5,987,708	A	11/1999	Newton	7,163,591	B2	1/2007	Kim et al.
6,000,569	A	12/1999	Liu	7,168,591	B1	1/2007	Miller
6,010,024	A	1/2000	Wang	D537,223	S	2/2007	Lin
6,024,238	A	2/2000	Jaros	D537,599	S	2/2007	Lin
6,036,050	A	3/2000	Ruane	D537,601	S	2/2007	Lin
6,102,239	A	8/2000	Wien	D537,999	S	3/2007	Lin
6,105,859	A	8/2000	Stafford	D538,995	S	3/2007	Lin
6,123,215	A	9/2000	Windle	D539,498	S	3/2007	Yang et al.
D431,700	S	10/2000	Roudebush	D539,499	S	3/2007	Yang et al.
6,126,031	A	10/2000	Reason	D540,001	S	4/2007	Zimmerman
6,129,233	A	10/2000	Schiller	D542,001	S	5/2007	Yang et al.
6,131,861	A	10/2000	Fortier, Jr. et al.	D542,995	S	5/2007	Lin
D435,951	S	1/2001	Yang et al.	D543,673	S	5/2007	Yang et al.
6,209,744	B1	4/2001	Gill	D544,170	S	6/2007	Lin
6,211,637	B1	4/2001	Studer	D544,171	S	6/2007	Lin
6,234,339	B1	5/2001	Thomas	D544,671	S	6/2007	Saunders et al.
6,250,492	B1	6/2001	Verbeek	D545,024	S	6/2007	Liao
D445,980	S	7/2001	Tjugum	7,225,943	B2	6/2007	Yang et al.
6,286,706	B1	9/2001	Tucker	D547,020	S	7/2007	Chen
6,328,320	B1	12/2001	Walski et al.	7,243,811	B1	7/2007	Ramsey
6,345,725	B1	2/2002	Lin	D550,918	S	9/2007	Wang et al.
6,364,147	B1	4/2002	Meinzinger et al.	D552,319	S	10/2007	Gusdorf
6,386,386	B1	5/2002	George	D552,321	S	10/2007	Yang et al.
6,390,321	B1	5/2002	Wang	D552,823	S	10/2007	Yang et al.
6,401,958	B1	6/2002	Foss et al.	D552,824	S	10/2007	Zimmerman
6,519,130	B1	2/2003	Breslow	D552,825	S	10/2007	Yang et al.
6,557,716	B1	5/2003	Chan	D555,320	S	11/2007	Yang et al.
D476,456	S	6/2003	Englert et al.	D559,494	S	1/2008	Yang et al.
6,596,983	B2	7/2003	Brent	D559,495	S	1/2008	Yang et al.
6,626,316	B2	9/2003	Yang	D562,522	S	2/2008	Daams
6,626,317	B2	9/2003	Pfiefer et al.	7,328,842	B2	2/2008	Wagner et al.
6,632,064	B1	10/2003	Walker et al.	D564,169	S	3/2008	Wang
D481,846	S *	11/2003	Lin D34/9	D564,723	S	3/2008	Yang et al.
D482,169	S	11/2003	Lin	D566,367	S	4/2008	Lin
6,659,407	B2	12/2003	Asaro	D566,369	S	4/2008	Shek
6,681,950	B2	1/2004	Miller, Jr. et al.	D566,923	S	4/2008	Lin
D488,604	S	4/2004	Yang et al.	D567,468	S	4/2008	Yang et al.
D488,903	S	4/2004	Yang et al.	D568,572	S	5/2008	Yang et al.
D489,503	S	5/2004	Lin	D569,720	S *	5/2008	Lablaine D9/420
D489,857	S	5/2004	Yang et al.	7,374,060	B2	5/2008	Yang et al.
D490,583	S	5/2004	Yang et al.	D571,520	S	6/2008	Lin
D490,954	S	6/2004	Brand	7,395,990	B1	7/2008	Stevens
D491,706	S	6/2004	Yang et al.	7,398,913	B2	7/2008	McClure
6,758,366	B2	7/2004	Bourgund et al.	7,404,499	B1	7/2008	Ramsey
D493,930	S	8/2004	Wang	D574,569	S	8/2008	Yang et al.
D494,723	S	8/2004	Lin	D576,371	S	9/2008	Zimmerman
6,812,655	B1	11/2004	Wang et al.	D578,265	S	10/2008	Presnell
6,814,249	B2	11/2004	Lin	D578,266	S	10/2008	Yang et al.
D499,450	S	12/2004	Goodman et al.	D578,268	S	10/2008	Yang et al.
6,837,393	B1	1/2005	Kuo	D578,722	S	10/2008	Yang et al.
6,857,538	B2	2/2005	Lin	7,438,199	B1	10/2008	Tidrick
6,859,005	B2	2/2005	Boliver	D580,120	S	11/2008	Lin
D503,021	S	3/2005	Yang et al.	D580,613	S	11/2008	Yang et al.
6,866,826	B2	3/2005	Moore et al.	D580,615	S *	11/2008	Yang D34/9
6,883,676	B2	4/2005	Lin	D581,622	S	11/2008	Presnell et al.
D507,090	S	7/2005	Yang et al.	D584,470	S	1/2009	Bizzell et al.
6,920,994	B2	7/2005	Lin	D585,171	S	1/2009	Bizzell et al.
6,974,948	B1	12/2005	Brent	D585,618	S	1/2009	Yang et al.
D513,445	S	1/2006	Lin	D586,070	S	2/2009	Lin
6,981,606	B2	1/2006	Yang et al.	7,494,021	B2	2/2009	Yang et al.
D517,764	S	3/2006	Wang	D587,874	S	3/2009	Lin
D517,767	S	3/2006	Yang et al.	D593,271	S	5/2009	Yang et al.
D518,266	S	3/2006	Yang et al.	7,530,578	B2	5/2009	Niemeyer et al.
7,017,773	B2	3/2006	Gruber et al.	7,540,396	B2	6/2009	Yang et al.
7,044,323	B2	5/2006	Yang	7,543,716	B2	6/2009	Lin
D525,756	S	7/2006	Yang et al.	7,559,433	B2	7/2009	Yang et al.
7,073,677	B2	7/2006	Richardson et al.	D599,074	S	8/2009	Bizzell et al.
7,077,283	B2	7/2006	Yang et al.	D603,119	S	10/2009	Yang et al.
				7,607,552	B2	10/2009	Efstathiou
				D604,472	S	11/2009	Blanks et al.
				7,614,519	B2	11/2009	Krauth et al.
				7,621,420	B2	11/2009	Bandoh et al.

(56)

References Cited

U.S. PATENT DOCUMENTS

7,656,109 B2	2/2010	Yang et al.	9,481,515 B2	11/2016	Yang et al.
D611,216 S	3/2010	Yang et al.	9,573,759 B2	2/2017	Yang et al.
D611,217 S	3/2010	Bizzell et al.	9,586,755 B1	3/2017	Yang et al.
D611,671 S	3/2010	Yang et al.	D793,642 S	8/2017	Yang et al.
7,694,838 B2	4/2010	Yang et al.	2001/0002690 A1	6/2001	Rosky
7,703,622 B1	4/2010	Bynoe	2001/0020619 A1	9/2001	Pfeifer et al.
D615,270 S	5/2010	Yang et al.	2001/0045512 A1	11/2001	Brent
D615,722 S	5/2010	Yang et al.	2002/0066736 A1	6/2002	Pyles
7,712,285 B2	5/2010	Stravitz et al.	2002/0092853 A1	7/2002	Wang
7,741,801 B2	6/2010	Fukuizumi	2002/0096523 A1	7/2002	Pyles
7,748,556 B2	7/2010	Yang et al.	2002/0096524 A1	7/2002	Hardesty
7,781,995 B2	8/2010	Yang et al.	2002/0104266 A1	8/2002	Ranaudo
D623,817 S	9/2010	Yang et al.	2002/0116924 A1	8/2002	Winkelmann et al.
D625,068 S	10/2010	Shannon	2003/0089719 A1	5/2003	Berger
7,806,285 B2	10/2010	Yang et al.	2003/0102316 A1	6/2003	Forest
D627,533 S	11/2010	Yang et al.	2003/0201265 A1	10/2003	Lin
D627,944 S	11/2010	Wang et al.	2003/0205979 A1	11/2003	Papari et al.
D629,172 S	12/2010	Liao	2003/0230576 A1	12/2003	Lin
D630,404 S	1/2011	Yang et al.	2004/0016756 A1	1/2004	Lin
D631,221 S	1/2011	Yang et al.	2004/0134924 A1	7/2004	Hansen et al.
D632,864 S	2/2011	Yang et al.	2004/0140782 A1	7/2004	Okabe et al.
D634,911 S	3/2011	Yang et al.	2004/0164077 A1	8/2004	Kuo
D635,319 S	3/2011	Meyerhoffer	2004/0174268 A1	9/2004	Scott et al.
7,896,187 B2	3/2011	Haibel	2004/0175303 A1	9/2004	Lin
7,922,024 B2	4/2011	Yang et al.	2004/0199401 A1	10/2004	Wagner
7,950,543 B2	5/2011	Yang et al.	2004/0200938 A1	10/2004	Forlivio
D644,390 S	8/2011	Smeets et al.	2004/0206758 A1	10/2004	Lin
7,992,742 B1	8/2011	Kim	2004/0206760 A1	10/2004	Gagnebin
8,006,857 B2	8/2011	Lin	2004/0251746 A1	12/2004	Ichimaru et al.
D644,806 S	9/2011	Yang et al.	2005/0017006 A1	1/2005	Kuo
D644,807 S	9/2011	Yang et al.	2005/0017010 A1	1/2005	Siegel et al.
D649,728 S	11/2011	Campbell	2005/0029281 A1	2/2005	Westermann et al.
8,074,833 B2	12/2011	Yang et al.	2005/0129803 A1	6/2005	Umeda et al.
8,096,445 B2	1/2012	Yang et al.	2005/0230396 A1*	10/2005	Yang B65F 1/08 220/264
D655,061 S *	2/2012	Scaturro D34/7	2005/0258177 A1	11/2005	Woodson
8,136,688 B2	3/2012	Lee et al.	2005/0258794 A1	11/2005	Fukuizumi
D657,108 S	4/2012	Yang et al.	2006/0027579 A1	2/2006	Yang et al.
D657,109 S	4/2012	Liao	2006/0103086 A1	5/2006	Niemeyer et al.
8,297,470 B2	10/2012	Yang et al.	2006/0138149 A1	6/2006	Tracy
8,317,055 B2	11/2012	Zawrotny et al.	2006/0163257 A1	7/2006	Golbert
D672,520 S	12/2012	Yang et al.	2006/0175336 A1	8/2006	Wang
D673,750 S	1/2013	Quan	2006/0186121 A1	8/2006	Yang et al.
D675,802 S	2/2013	Yang et al.	2006/0196874 A1	9/2006	Yang
D675,803 S	2/2013	Yang et al.	2006/0237641 A1	10/2006	Moeller et al.
8,418,869 B2	4/2013	Yang et al.	2006/0249510 A1	11/2006	Lin
D689,255 S	9/2013	Sun Ting Kung et al.	2006/0278643 A1	12/2006	Chiou
8,567,630 B2	10/2013	Yang et al.	2007/0112699 A1	1/2007	Yang et al.
8,569,980 B2	10/2013	Yang et al.	2007/0034334 A1	2/2007	Ramsey et al.
8,575,537 B2	11/2013	Yao et al.	2007/0045326 A1	3/2007	Tramontina et al.
8,672,171 B2	3/2014	Wynn et al.	2007/0090112 A1	4/2007	Kalman et al.
8,678,219 B1	3/2014	Wang et al.	2007/0114847 A1	5/2007	Ichimaru et al.
8,686,676 B2	4/2014	Yang et al.	2007/0181579 A1	8/2007	Kuo et al.
D704,406 S *	5/2014	Kern D34/1	2007/0209846 A1	9/2007	Wilson
8,716,969 B2	5/2014	Yang et al.	2007/0215622 A1	9/2007	Perez
8,720,728 B2	5/2014	Yang et al.	2007/0241109 A1	10/2007	Lin
8,766,582 B2	7/2014	Yang et al.	2007/0266637 A1	11/2007	McGowan
8,807,378 B2	8/2014	Kaberna	2007/0272691 A1	11/2007	Wang et al.
8,807,379 B1	8/2014	Hammond	2007/0289972 A1	12/2007	Wynn et al.
D714,510 S	9/2014	Yang et al.	2008/0011754 A1	1/2008	Ramsey
D715,575 S *	10/2014	Williams D6/524	2008/0011910 A1	1/2008	Ramsey
D716,015 S	10/2014	van de Leest	2008/0041863 A1	2/2008	Forest
8,851,316 B2	10/2014	Barrett et al.	2008/0083756 A1	4/2008	Daniels
8,872,459 B2	10/2014	Yang et al.	2008/0083757 A1	4/2008	Parker et al.
D725,860 S *	3/2015	Spivey D34/7	2008/0099274 A1	5/2008	Seel
D725,861 S	3/2015	Yang et al.	2008/0128428 A1	6/2008	Beckerman
D730,008 S	5/2015	Yang et al.	2008/0164257 A1	7/2008	Boll et al.
9,051,093 B2	6/2015	Yang et al.	2008/0236275 A1	10/2008	Breed et al.
D755,461 S *	5/2016	Wall D34/9	2008/0257889 A1	10/2008	Kovacevich et al.
D759,934 S	6/2016	Yang et al.	2008/0257890 A1	10/2008	Kovacevich et al.
D762,037 S *	7/2016	Chen D34/7	2008/0257891 A1	10/2008	Kovacevich et al.
D765,937 S *	9/2016	Chen D34/7	2008/0264948 A1	10/2008	Kovacevich et al.
D766,998 S *	9/2016	Kao D15/122	2008/0264950 A1	10/2008	Kovacevich et al.
9,434,538 B2	9/2016	Yang et al.	2008/0272119 A1	11/2008	Efstathiou
D771,344 S	11/2016	Yang et al.	2008/0272127 A1	11/2008	Kovacevich et al.
D773,145 S	11/2016	Yang et al.	2009/0084788 A1	4/2009	Yang et al.
			2009/0136341 A1	5/2009	Kenyon
			2009/0230131 A1	9/2009	McDuffie et al.
			2009/0261105 A1	10/2009	Cunningham et al.

(56)

References Cited

U.S. PATENT DOCUMENTS

2009/0266836	A1	10/2009	Mobley	
2010/0006572	A1	1/2010	Chiou	
2010/0084235	A1	4/2010	Lu	
2010/0096894	A1	4/2010	Fukai	
2010/0122985	A1	5/2010	Peters et al.	
2010/0147865	A1	6/2010	Yang et al.	
2010/0170904	A1	7/2010	Kalman et al.	
2010/0224627	A1*	9/2010	Yang	B65F 1/06 220/212
2010/0237074	A1	9/2010	Yang et al.	
2010/0252557	A1	10/2010	Clements	
2010/0294769	A1	11/2010	Lee et al.	
2011/0017735	A1	1/2011	Wang et al.	
2011/0049149	A1	3/2011	Shih	
2011/0056952	A1	3/2011	Borowski et al.	
2011/0139781	A1	6/2011	Jin et al.	
2011/0220655	A1	9/2011	Yang et al.	
2011/0272409	A1	11/2011	Kasbohm	
2012/0145932	A1	6/2012	Yao et al.	
2012/0234849	A1	9/2012	Hughes et al.	
2012/0261423	A1	10/2012	Zawrotny et al.	
2013/0098913	A1	4/2013	Yang et al.	
2013/0105487	A1	5/2013	Baik	
2013/0233857	A1	9/2013	Yang et al.	
2013/0240592	A1	9/2013	Woodruff	
2013/0248532	A1	9/2013	Yang et al.	
2013/0248535	A1	9/2013	Wolfe et al.	
2013/0300119	A1	11/2013	Anzalon et al.	
2014/0183193	A1	7/2014	Hammond et al.	
2014/0238989	A1	8/2014	Wang et al.	
2014/0246434	A1	9/2014	Yang et al.	
2014/0305946	A1	10/2014	Han	
2014/0345453	A1	11/2014	Oh et al.	
2015/0251849	A1	9/2015	Yang et al.	
2015/0259139	A1	9/2015	Yang et al.	
2015/0259140	A1	9/2015	Yang et al.	
2015/0321841	A1	11/2015	Salas et al.	
2017/0096299	A1	4/2017	Yang et al.	

FOREIGN PATENT DOCUMENTS

CN	201105898	Y	8/2008
CN	201512253	U	6/2010
DE	1610087		7/1950
DE	822376		11/1951
DE	1283741		7/1966
DE	8436939		3/1985
DE	9108341		10/1991
DE	4225936		2/1994
DE	19525885		3/1997
DE	19617823		11/1997
DE	19809331		5/1999
DE	29918687		3/2000
DE	19933180		1/2001
DE	10148997		4/2003
DE	20217561		3/2004
DE	10337806	A1	3/2005
EP	0582240		7/1993
EP	0903305	A1	3/1999
EP	0906876	A2	4/1999
EP	1094017	A1	4/2001
EP	1361176	A1	11/2003
EP	1136393	B1	4/2004
EP	1447342	A2	8/2004
EP	1600373	A2	11/2005
EP	1647503	A1	4/2006
EP	1686073	A1	8/2006
EP	1918223	A1	5/2008
EP	2343250	A1	7/2011
EP	3042864	A1	7/2016
FR	2887152		12/2006
GB	191004921		6/1910
GB	2384418		7/2003
JP	02-152670		6/1990

JP	H06-56011		8/1994
JP	06-272888		9/1994
JP	2004-106713		4/2004
JP	2004-231237		8/2004
JP	D1300450		5/2007
JP	D1300451		5/2007
JP	D1322056		2/2008
JP	D1398668		10/2010
KR	3003841370000		6/2005
KR	3004095430000		3/2006
KR	3004095430001		7/2006
NL	6908550		12/1970
TW	D112733		9/2006
WO	WO 92/02430	A1	2/1992
WO	WO 96/33671		10/1996
WO	WO 2005/080232	A1	9/2005
WO	WO 2006/079263	A1	8/2006
WO	WO 2009/114495	A1	9/2009
WO	WO 2015/134902	A1	9/2015
WO	WO 2015/138625	A1	9/2015
WO	WO 2016/054109	A1	4/2016

OTHER PUBLICATIONS

U.S. Appl. No. 29/484,903, filed Mar. 13, 2014, Yang et al.
 U.S. Appl. No. 29/519,549, filed Mar. 5, 2015, Yang et al.
 U.S. Appl. No. 29/519,551, filed Mar. 5, 2015, Yang et al.
 U.S. Appl. No. 14/856,309, filed Sep. 26, 2015, Yang et al.
 U.S. Appl. No. 29/557,032, filed Mar. 4, 2016, Yang et al.
 U.S. Appl. No. 29/557,088, filed Mar. 4, 2016, Yang et al.
 Trento Corner 23 Trash Can, Hailo product webpage, May 2008,
http://www.hailo.de/html/default.asp?site=12_71_107&lang=en.
 U.S. Appl. No. 29/563,650, filed May 6, 2016, Yang et al.
 U.S. Appl. No. 129,576, 4,349,123.
 U.S. Appl. No. 09/746,574, 6,626,316.
 U.S. Appl. No. 10/131,430, 6,981,606.
 U.S. Appl. No. 10/746,988, 7,044,323.
 U.S. Appl. No. 10/614,557, 7,077,283.
 U.S. Appl. No. 10/828,067, 7,086,550.
 U.S. Appl. No. 10/717,038, 7,121,421.
 U.S. Appl. No. 10/405,725, 7,225,943.
 U.S. Appl. No. 10/609,076, 7,374,060.
 U.S. Appl. No. 11/086,932, 7,494,021.
 U.S. Appl. No. 11/201,369, 7,540,396.
 U.S. Appl. No. 11/007,100, 7,559,433.
 U.S. Appl. No. 11/438,839, 7,656,109.
 U.S. Appl. No. 10/940,167, 7,694,838.
 U.S. Appl. No. 11/448,336, 7,748,556.
 U.S. Appl. No. 11/514,518, 7,781,995.
 U.S. Appl. No. 11/544,786, 7,806,285.
 U.S. Appl. No. 11/475,349, 7,922,024.
 U.S. Appl. No. 11/134,107, 7,950,543.
 U.S. Appl. No. 11/724,677, 8,074,833.
 U.S. Appl. No. 12/024,945, 8,096,445.
 U.S. Appl. No. 12/859,380, 8,297,470.
 U.S. Appl. No. 12/399,828, 8,418,869.
 U.S. Appl. No. 13/801,140, 8,567,630.
 U.S. Appl. No. 12/024,946, 8,569,980.
 U.S. Appl. No. 13/040,786, 8,686,676.
 U.S. Appl. No. 13/040,709, 8,716,969.
 U.S. Appl. No. 12/045,641, 8,720,728.
 U.S. Appl. No. 13/040,770, 8,766,582.
 U.S. Appl. No. 13/417,084, 8,872,459.
 U.S. Appl. No. 13/783,149, 9,051,093.
 U.S. Appl. No. 29/118,689, D435,951.
 U.S. Appl. No. 29/178,459, D488,604.
 U.S. Appl. No. 29/178,462, D488,903.
 U.S. Appl. No. 29/185,919, D489,857.
 U.S. Appl. No. 29/179,888, D490,583.
 U.S. Appl. No. 29/179,891, D491,706.
 U.S. Appl. No. 29/190,310, D503,021.
 U.S. Appl. No. 29/190,446, D507,090.
 U.S. Appl. No. 29/210,546, D517,767.
 U.S. Appl. No. 29/210,551, D518,266.

(56)

References Cited

OTHER PUBLICATIONS

U.S. Appl. No. 29/214,722, D525,756.
 U.S. Appl. No. 29/223,279, D535,800.
 U.S. Appl. No. 29/238,700, D539,498.
 U.S. Appl. No. 29/245,127, D539,499.
 U.S. Appl. No. 29/251,337, D542,001.
 U.S. Appl. No. 29/256,668, D543,673.
 U.S. Appl. No. 29/259,278, D552,321.
 U.S. Appl. No. 29/263,255, D552,823.
 U.S. Appl. No. 29/263,258, D552,825.
 U.S. Appl. No. 29/270,134, D555,320.
 U.S. Appl. No. 29/267,029, D559,494.
 U.S. Appl. No. 29/271,251, D559,495.
 U.S. Appl. No. 29/273,678, D564,723.
 U.S. Appl. No. 29/286,231, D567,468.
 U.S. Appl. No. 29/285,661, D568,572.
 U.S. Appl. No. 29/293,145, D574,569.
 U.S. Appl. No. 29/277,816, D578,266.
 U.S. Appl. No. 29/293,682, D578,268.
 U.S. Appl. No. 29/293,498, D578,722.
 U.S. Appl. No. 29/294,944, D580,613.
 U.S. Appl. No. 29/293,406, D580,615.
 U.S. Appl. No. 29/291,382, D585,618.
 U.S. Appl. No. 29/301,775, D593,271.
 U.S. Appl. No. 29/313,029, D603,119.
 U.S. Appl. No. 29/303,204, D611,216.
 U.S. Appl. No. 29/308,501, D611,671.
 U.S. Appl. No. 29/339,149, D615,270.
 U.S. Appl. No. 29/334,146, D615,722.
 U.S. Appl. No. 29/346,641, D623,817.
 U.S. Appl. No. 29/307,694, D627,533.
 U.S. Appl. No. 29/370,000, D630,404.
 U.S. Appl. No. 29/357,444, D631,221.
 U.S. Appl. No. 29/357,560, D632,864.
 U.S. Appl. No. 29/357,571, D634,911.
 U.S. Appl. No. 29/379,785, D644,806.
 U.S. Appl. No. 29/379,789, D644,807.

U.S. Appl. No. 29/386,880, D657,108.
 U.S. Appl. No. 29/411,482, D672,520.
 U.S. Appl. No. 29/411,490, D675,802.
 U.S. Appl. No. 29/411,491, D675,803.
 U.S. Appl. No. 29/447,313, D714,510.
 U.S. Appl. No. 29/484,903, D725,861.
 U.S. Appl. No. 29/484,764, D730,008.
 U.S. Appl. No. 10/910,100, 2006/0027579.
 U.S. Appl. No. 11/062,135, 2006/0186121.
 U.S. Appl. No. 11/074,140, 2006/0196874.
 U.S. Appl. No. 11/454,913, 2007/0112699.
 U.S. Appl. No. 12/200,861, 2009/0084788.
 U.S. Appl. No. 12/624,368, 2010/0147865.
 U.S. Appl. No. 12/727,954, 2010/0237074.
 U.S. Appl. No. 13/047,662, 2011/0220655.
 U.S. Appl. No. 13/621,726, 2013/0098913.
 U.S. Appl. No. 13/787,638, 2013/0233857.
 U.S. Appl. No. 13/788,778, 2013/0248532.
 U.S. Appl. No. 14/198,460, 2014/0246434.
 U.S. Appl. No. 14/639,049, 2015/0251849.
 U.S. Appl. No. 14/637,270, 2015/0259139.
 U.S. Appl. No. 14/639,862, 2015/0259140.
 U.S. Appl. No. 29/484,903.
 U.S. Appl. No. 29/519,549.
 U.S. Appl. No. 29/519,551.
 U.S. Appl. No. 14/856,309.
 U.S. Appl. No. 29/557,032.
 U.S. Appl. No. 29/557,088.
 Office Action for Taiwan Design Patent Application No. 105303316, dated Nov. 16, 2016, in 6 pages.
 U.S. Appl. No. 15/265,455, filed Sep. 14, 2016.
 U.S. Appl. No. 29/584,385, filed Nov. 14, 2016, Yang et al.
 U.S. Appl. No. 15/448,245, filed Mar. 2, 2017, Yang et al.
 U.S. Appl. No. 15/476,285, filed Mar. 31, 2017, Yang et al.
 Office Action for Canadian Design Patent Application No. 168936, dated May 26, 2017, in 2 pages.
 U.S. Appl. No. 29/610,345, filed Jul. 11, 2017, Yang et al.

* cited by examiner

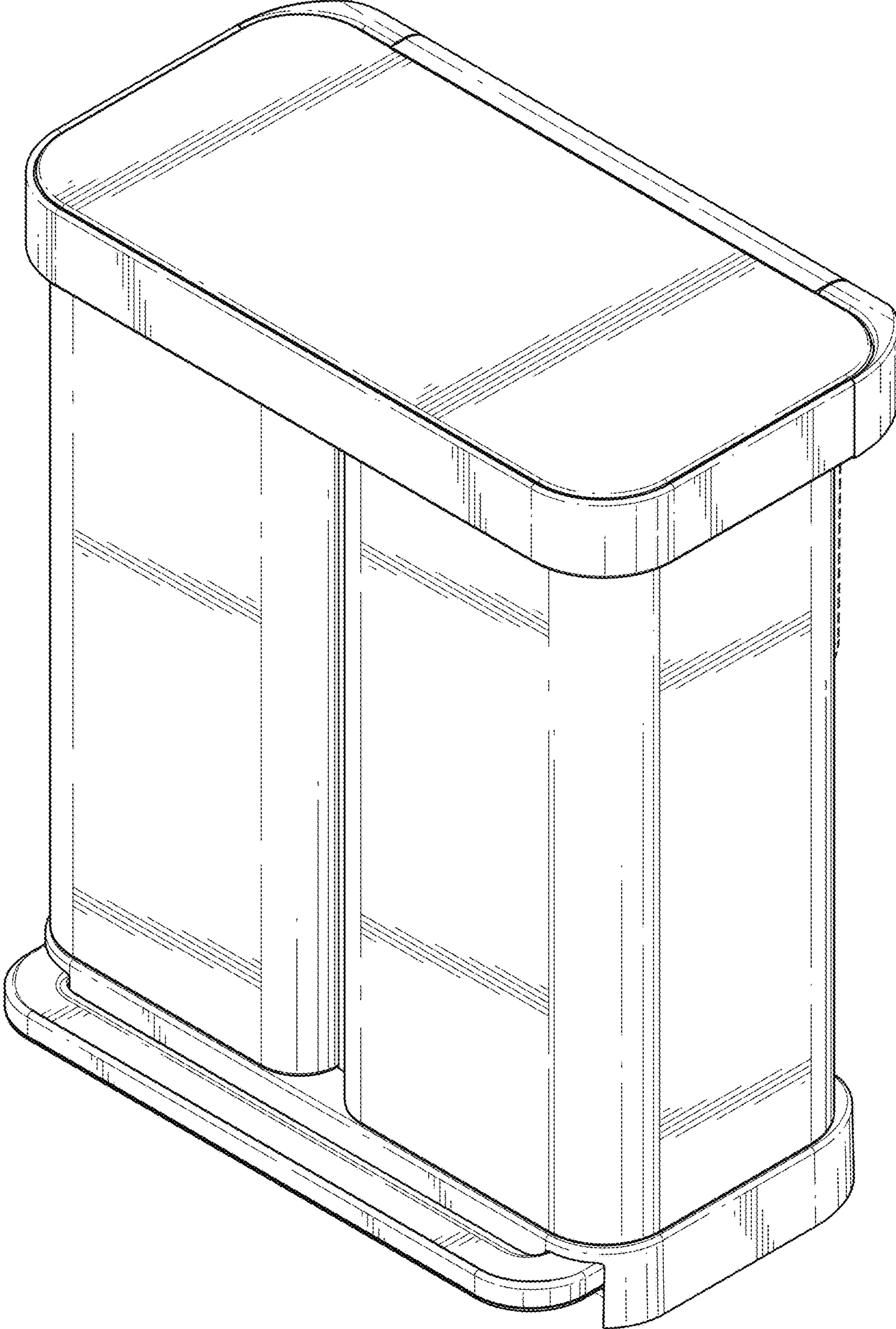


FIG. 1

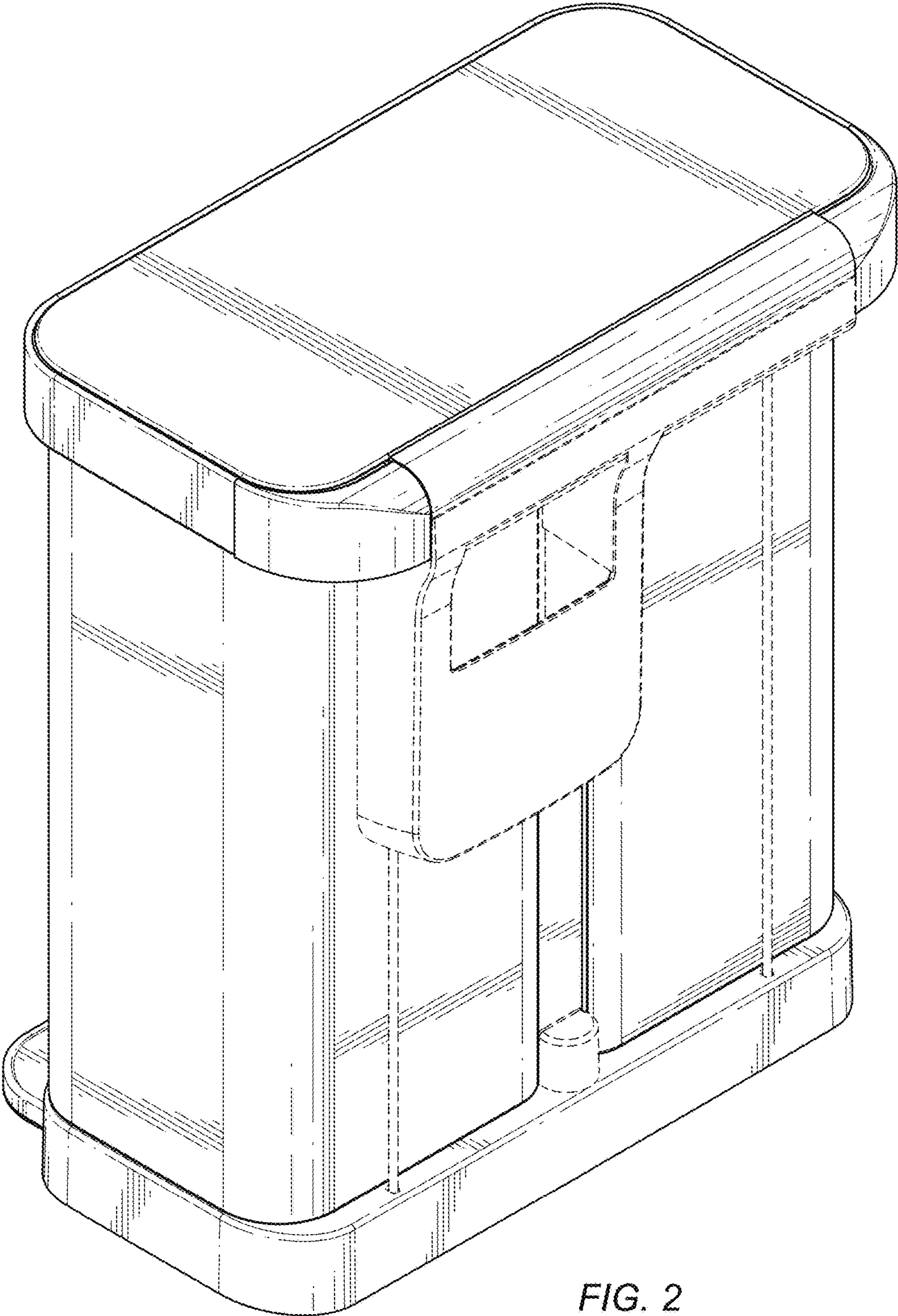


FIG. 2



FIG. 3

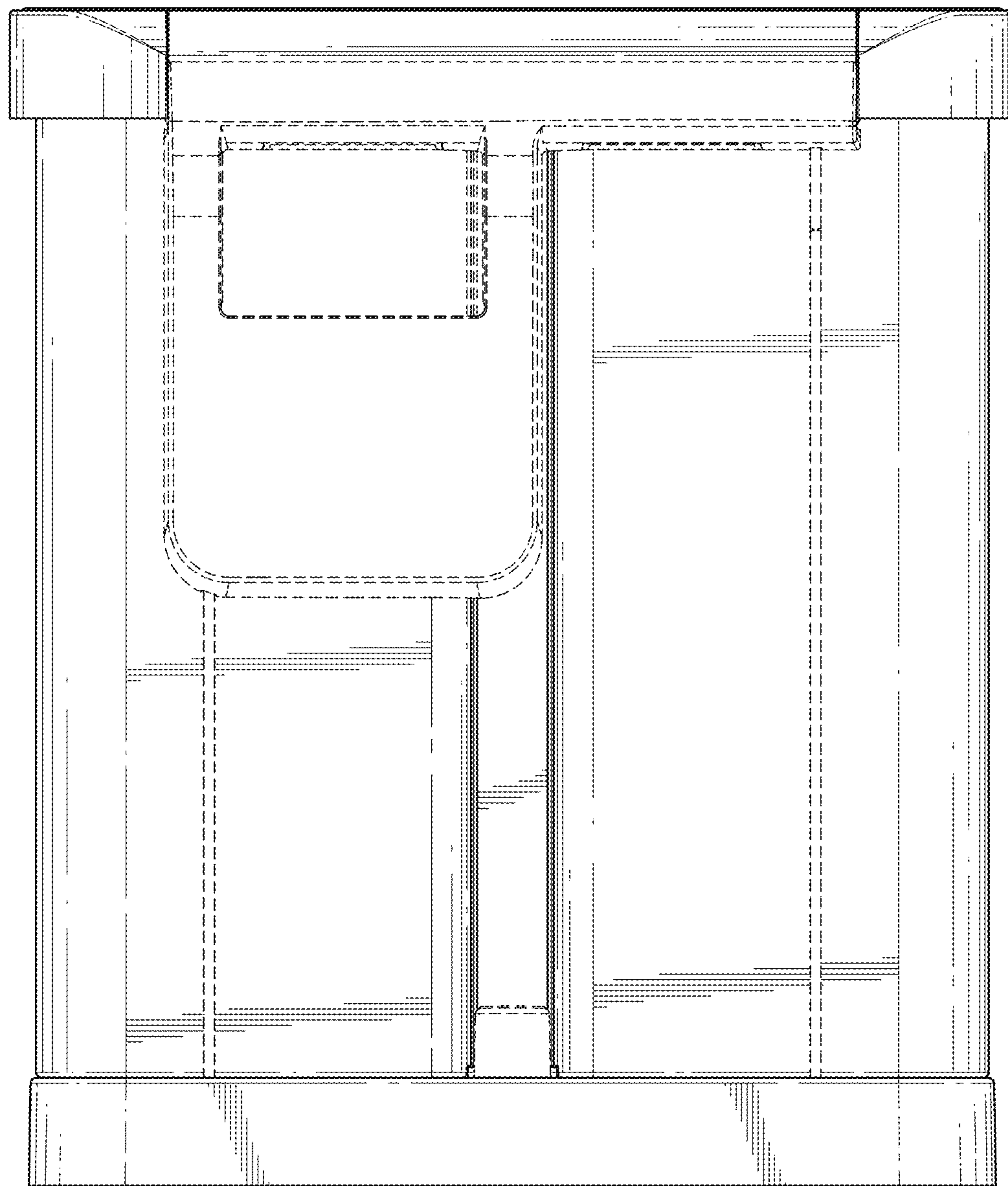


FIG. 4

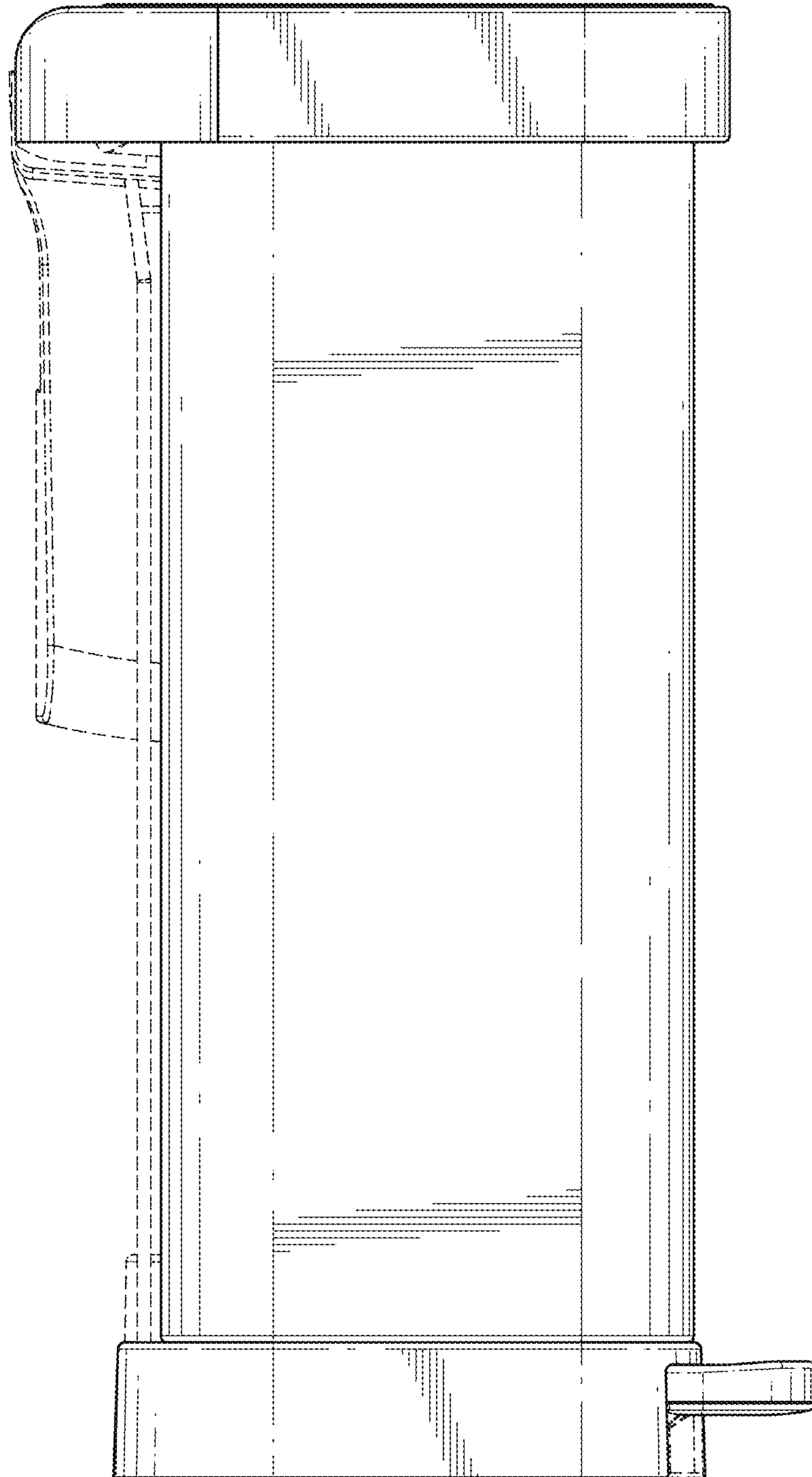


FIG. 5

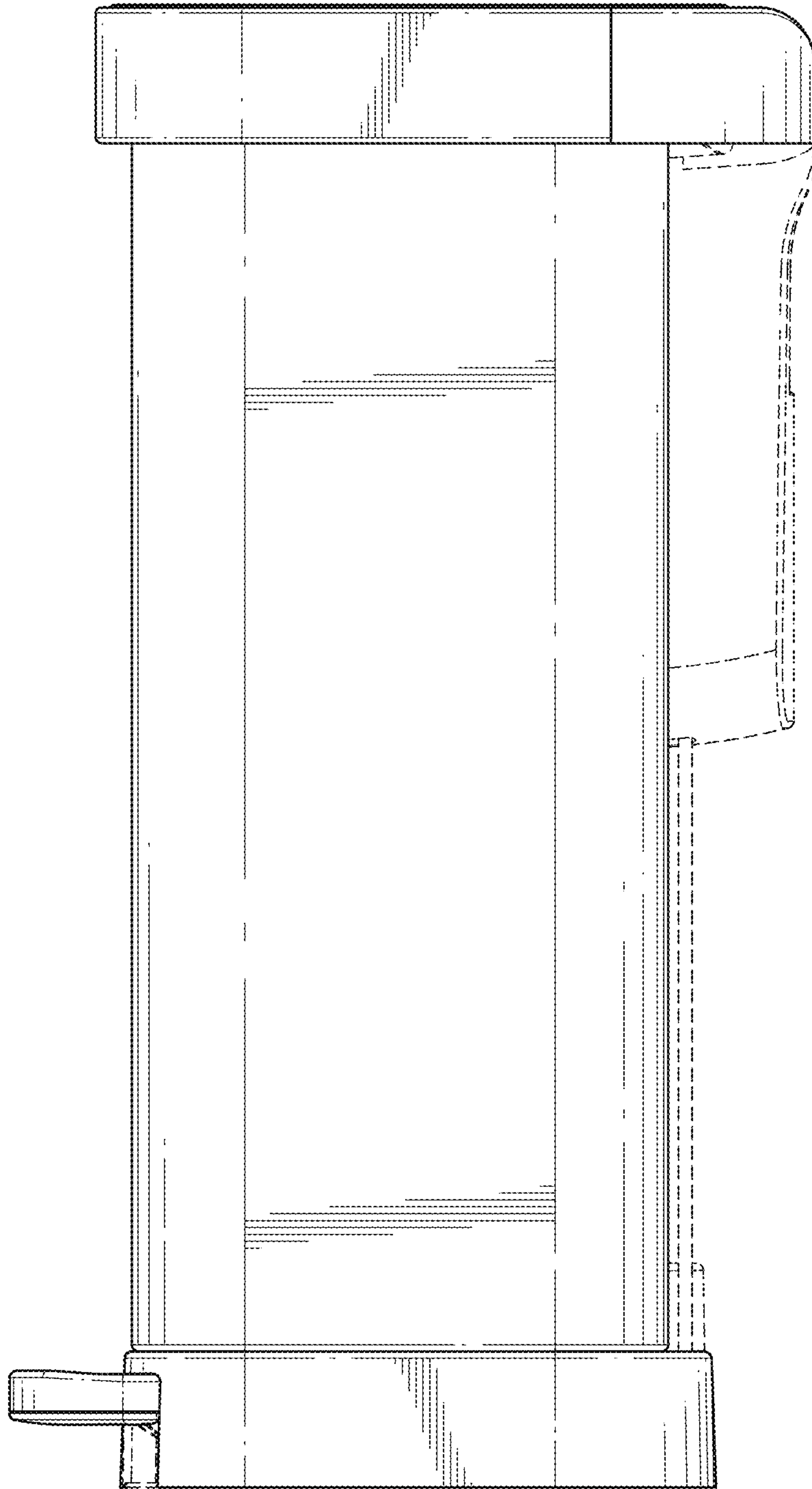


FIG. 6

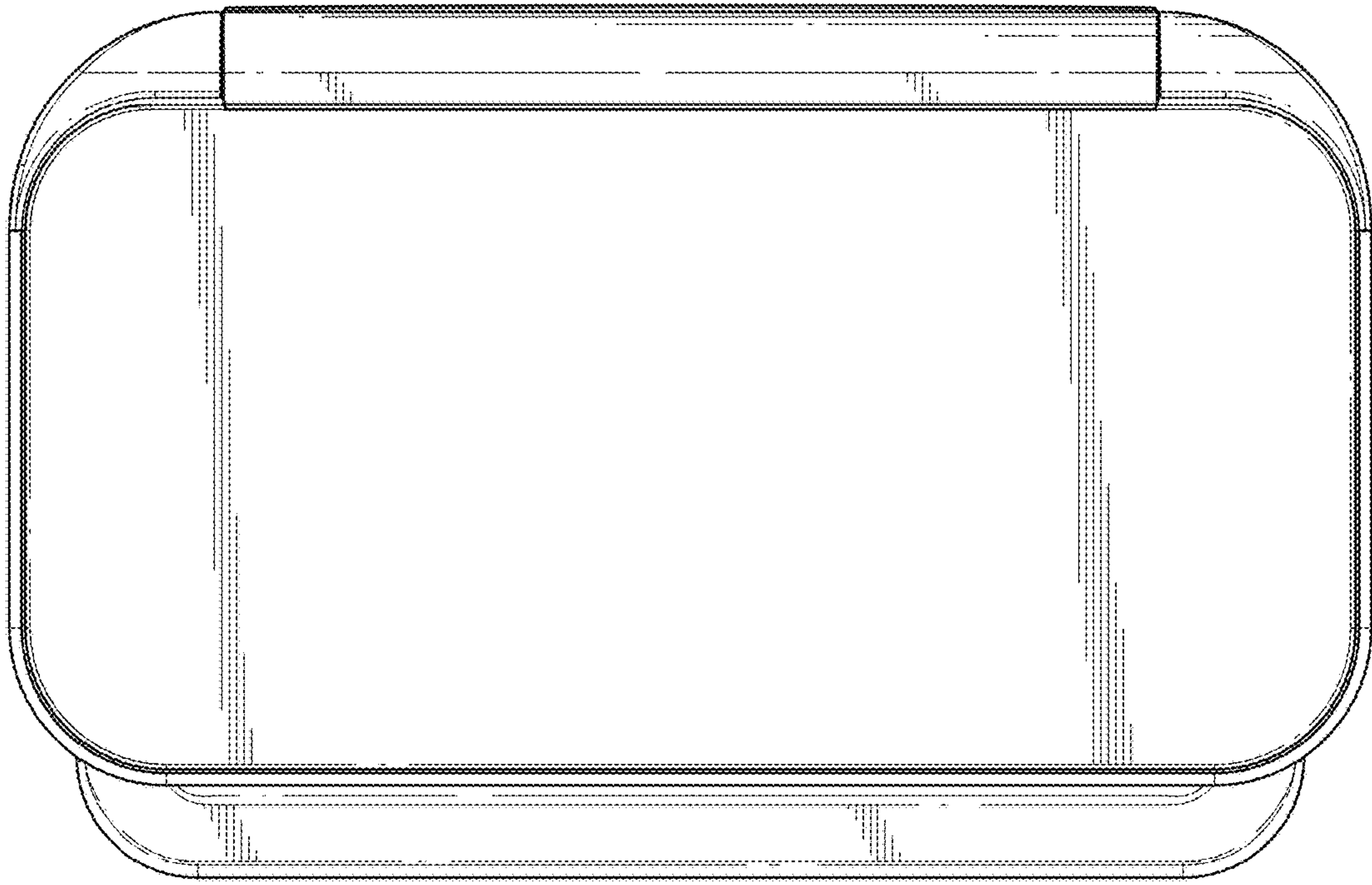


FIG. 7

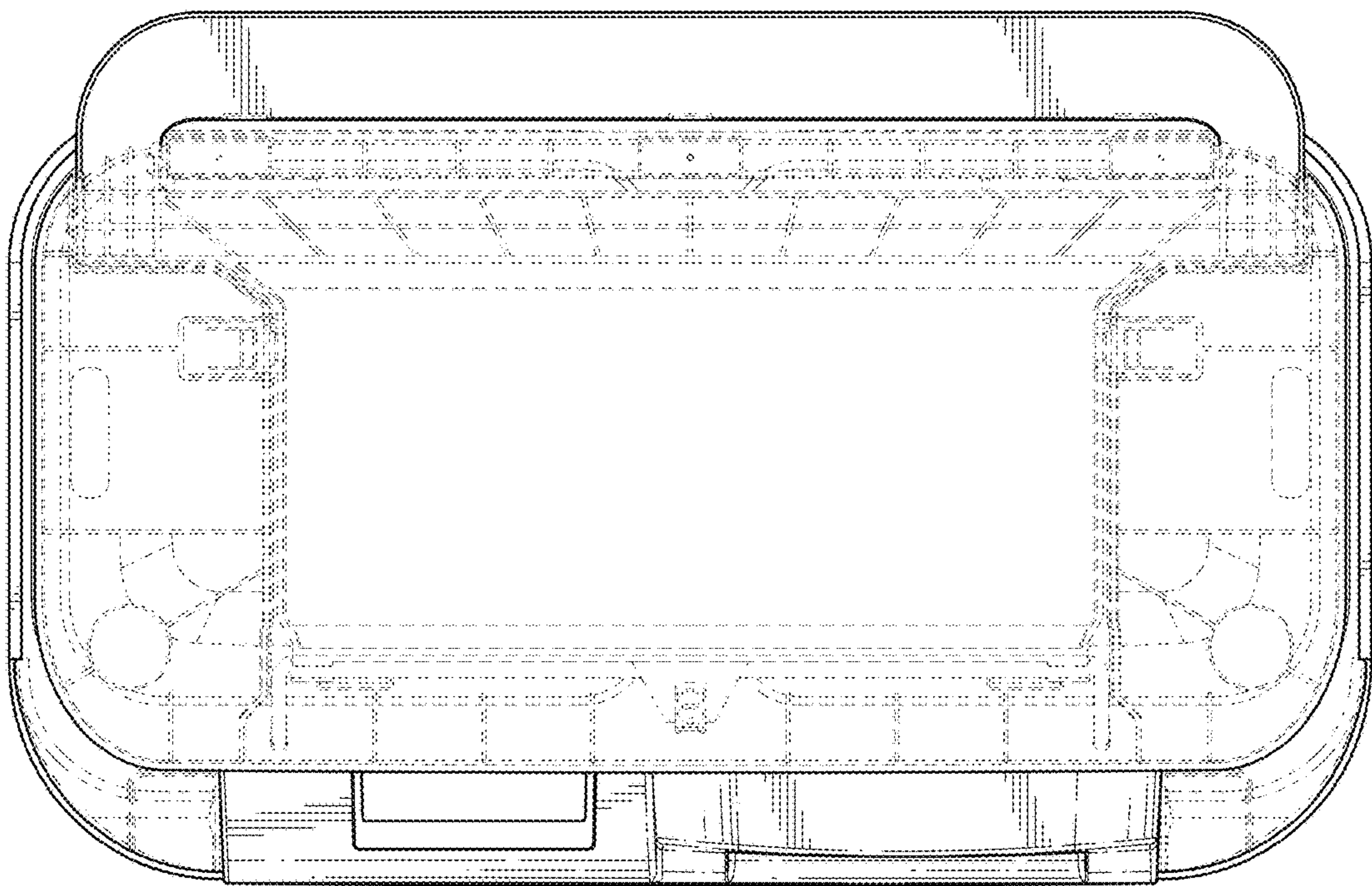


FIG. 8