



US00D804126S

(12) **United States Design Patent** (10) **Patent No.:** **US D804,126 S**  
**Rueckheim** (45) **Date of Patent:** **\*\* \*Nov. 28, 2017**

(54) **TORSION WRINGER**

(56) **References Cited**

(71) Applicant: **Carl Freudenberg KG**, Weinheim (DE)

U.S. PATENT DOCUMENTS

(72) Inventor: **Markus Rueckheim**, Griesheim (DE)

|                |         |              |       |                       |
|----------------|---------|--------------|-------|-----------------------|
| D218,778 S *   | 9/1970  | Gunfaus      | ..... | D32/54                |
| D383,270 S *   | 9/1997  | Weihrauch    | ..... | D32/54                |
| D410,310 S *   | 5/1999  | Haley        | ..... | D32/54                |
| D427,738 S *   | 7/2000  | McRorie, III | ..... | D32/54                |
| D523,199 S *   | 6/2006  | Libman       | ..... | D32/54                |
| 8,122,561 B2 * | 2/2012  | Dingert      | ..... | A47L 13/58<br>100/110 |
| D683,095 S *   | 5/2013  | Vasilakes    | ..... | D32/53                |
| D694,980 S *   | 12/2013 | Libman       | ..... | D32/54                |
| 9,161,673 B2 * | 10/2015 | Tronconi     | ..... | A47L 13/58            |

(73) Assignee: **CARL FREUDENBERG KG**, Weinheim (DE)

(\*) Notice: This patent is subject to a terminal disclaimer.

(\*\*) Term: **15 Years**

OTHER PUBLICATIONS

(21) Appl. No.: **29/581,412**

U.S. Appl. No. 29/568,361, filed Jun. 17, 2016.

(22) Filed: **Oct. 19, 2016**

\* cited by examiner

**Related U.S. Application Data**

*Primary Examiner* — Robin V Webster  
(74) *Attorney, Agent, or Firm* — Leydig, Voit & Mayer, Ltd.

(63) Continuation of application No. 29/568,361, filed on Jun. 17, 2016.

(57) **CLAIM**

The ornamental design for a torsion wringer, as shown.

(30) **Foreign Application Priority Data**

**DESCRIPTION**

Dec. 17, 2015 (EM) ..... 002914267

(51) **LOC (10) Cl.** ..... **07-07**

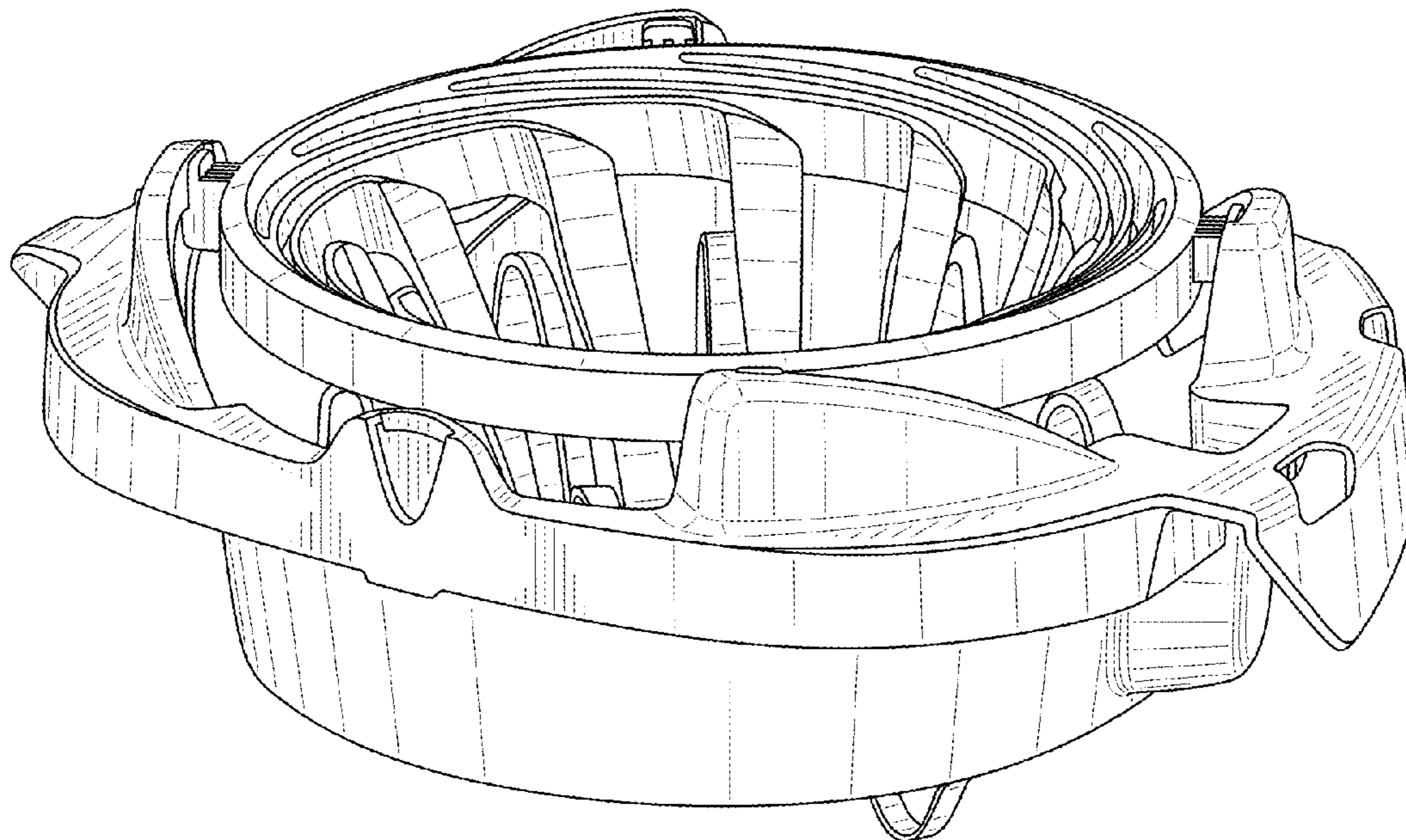
(52) **U.S. Cl.**  
USPC ..... **D32/53**

(58) **Field of Classification Search**  
USPC ..... D32/53, 53.1, 54; 220/570, 904;  
15/260–264, 119.1, 120.1  
CPC ..... A47L 13/142; A47L 13/58

FIG. 1 is a top right front perspective view of the torsion wringer showing my new design;  
FIG. 2 is a right side elevational view thereof;  
FIG. 3 is a left side elevational view thereof;  
FIG. 4 is a front elevational view thereof;  
FIG. 5 is a rear elevational view thereof;  
FIG. 6 is a bottom plan view thereof; and,  
FIG. 7 is a top plan view thereof.

See application file for complete search history.

**1 Claim, 4 Drawing Sheets**



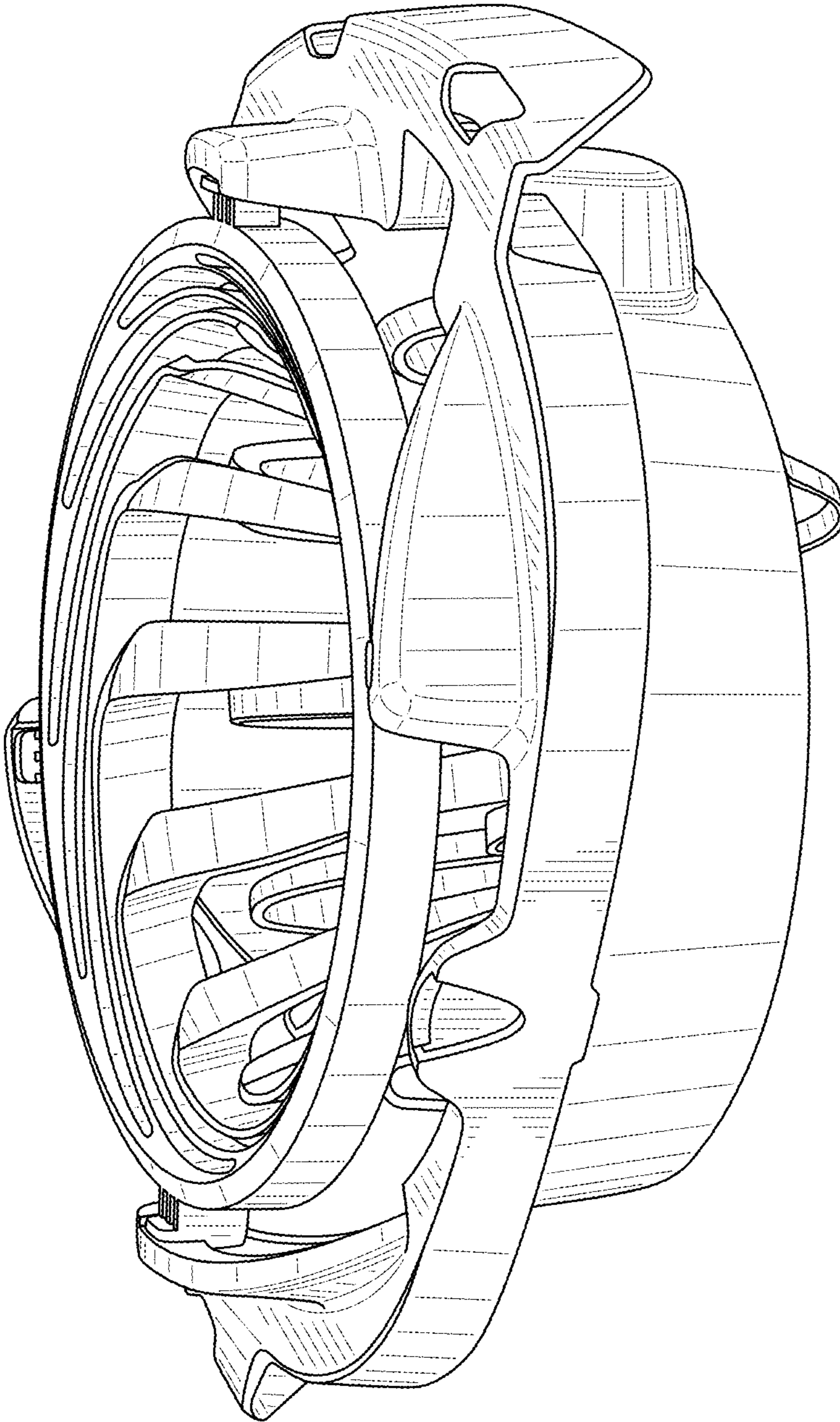


FIG. 1

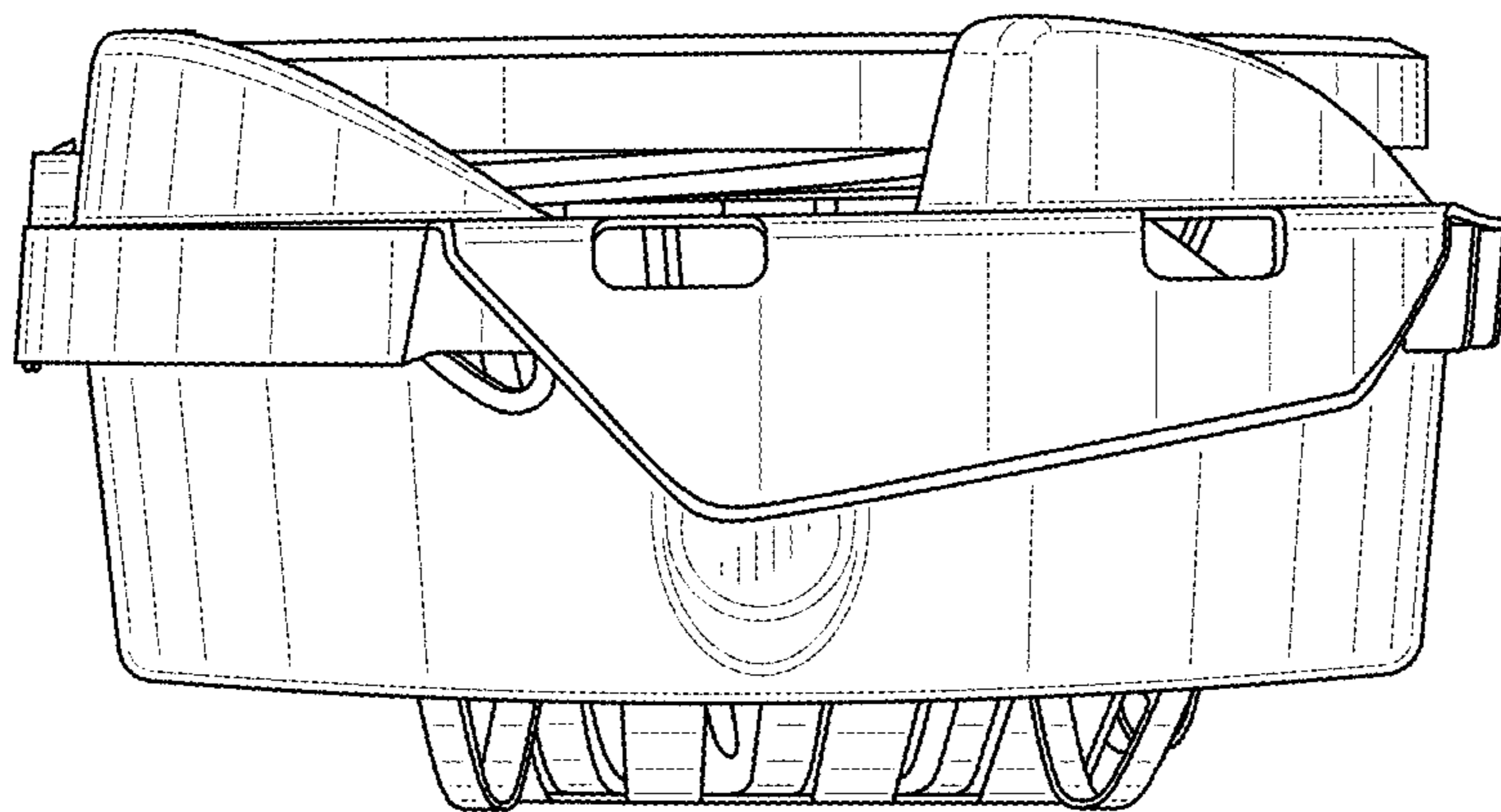


FIG. 2

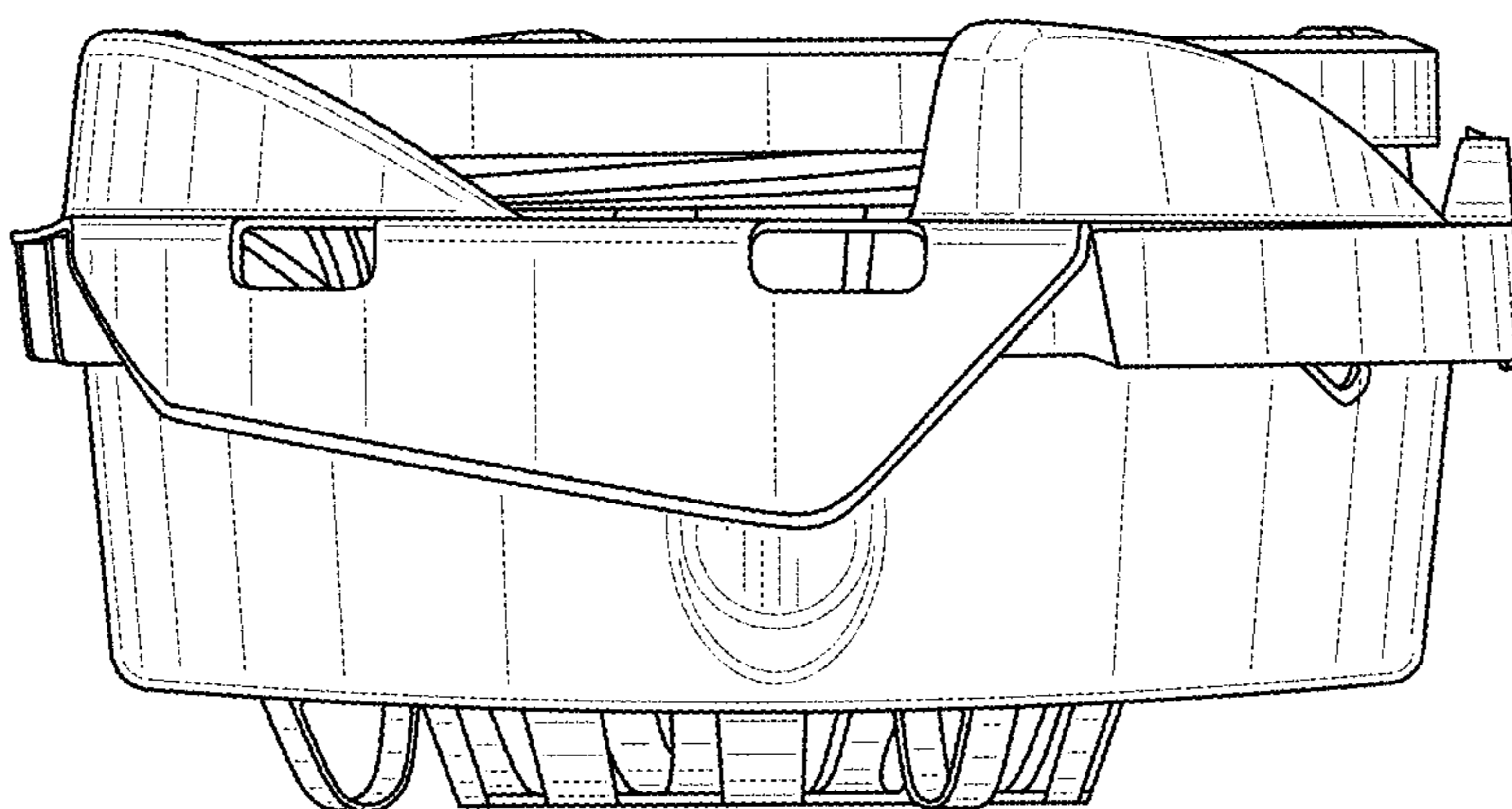


FIG. 3

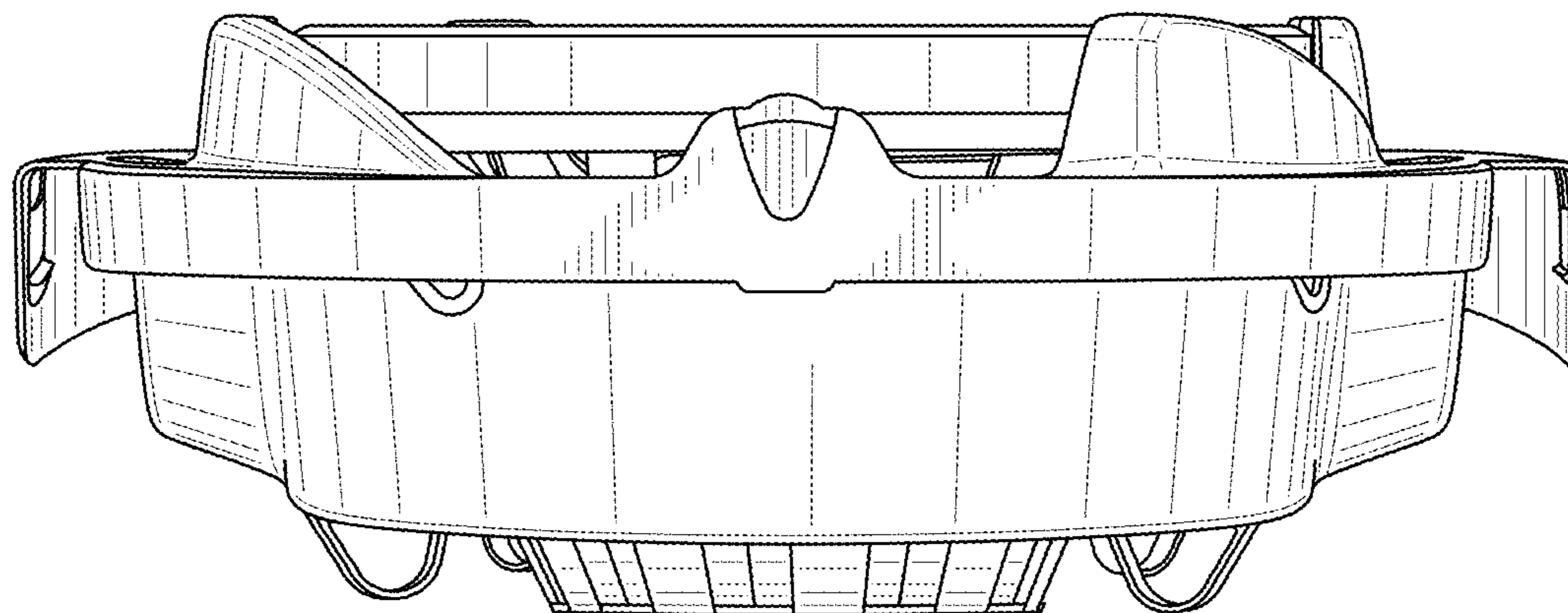


FIG. 4

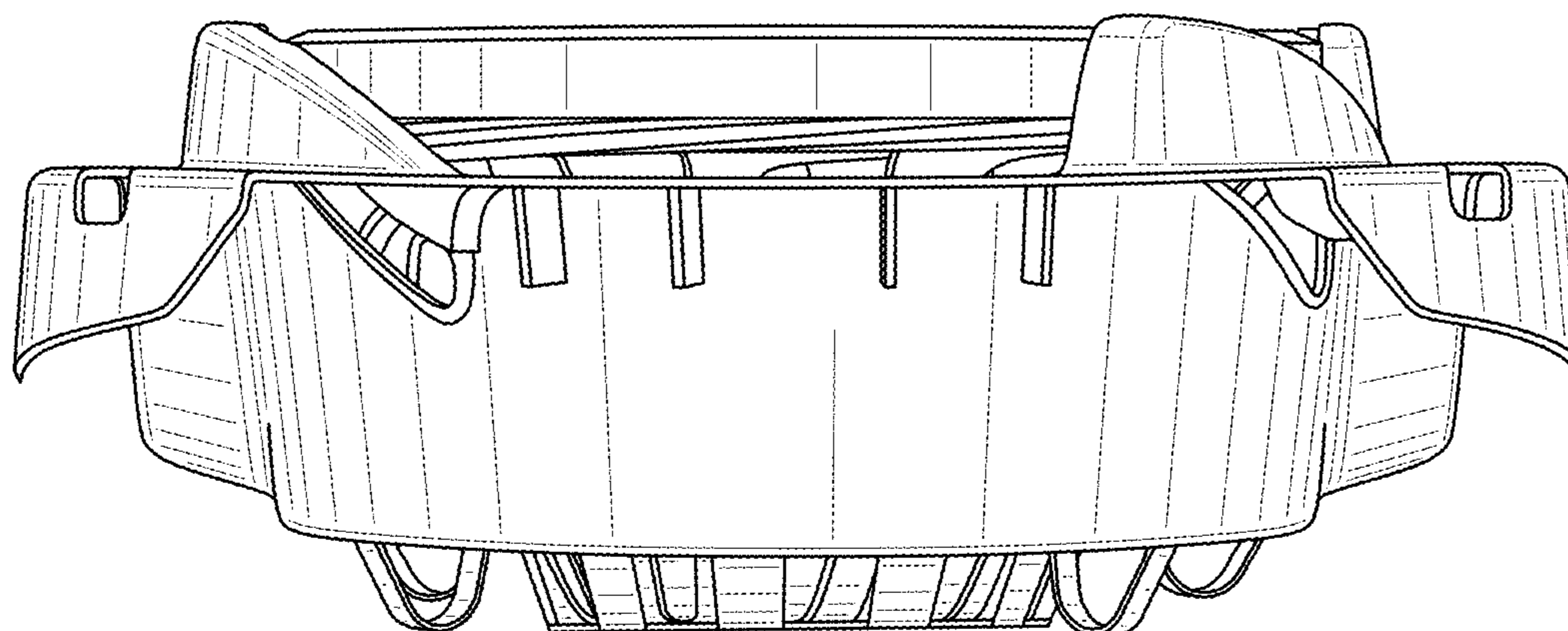


FIG. 5

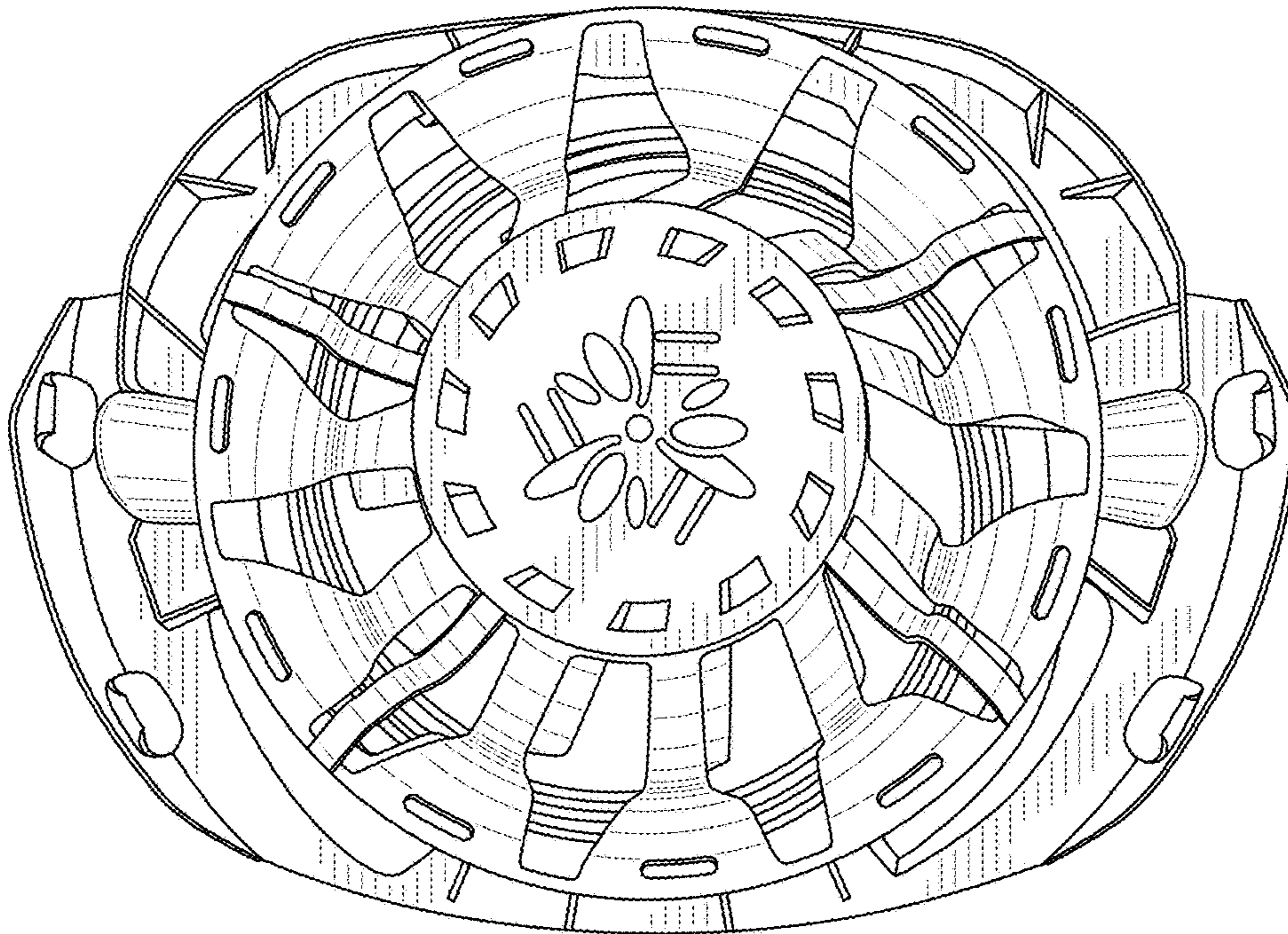


FIG. 6

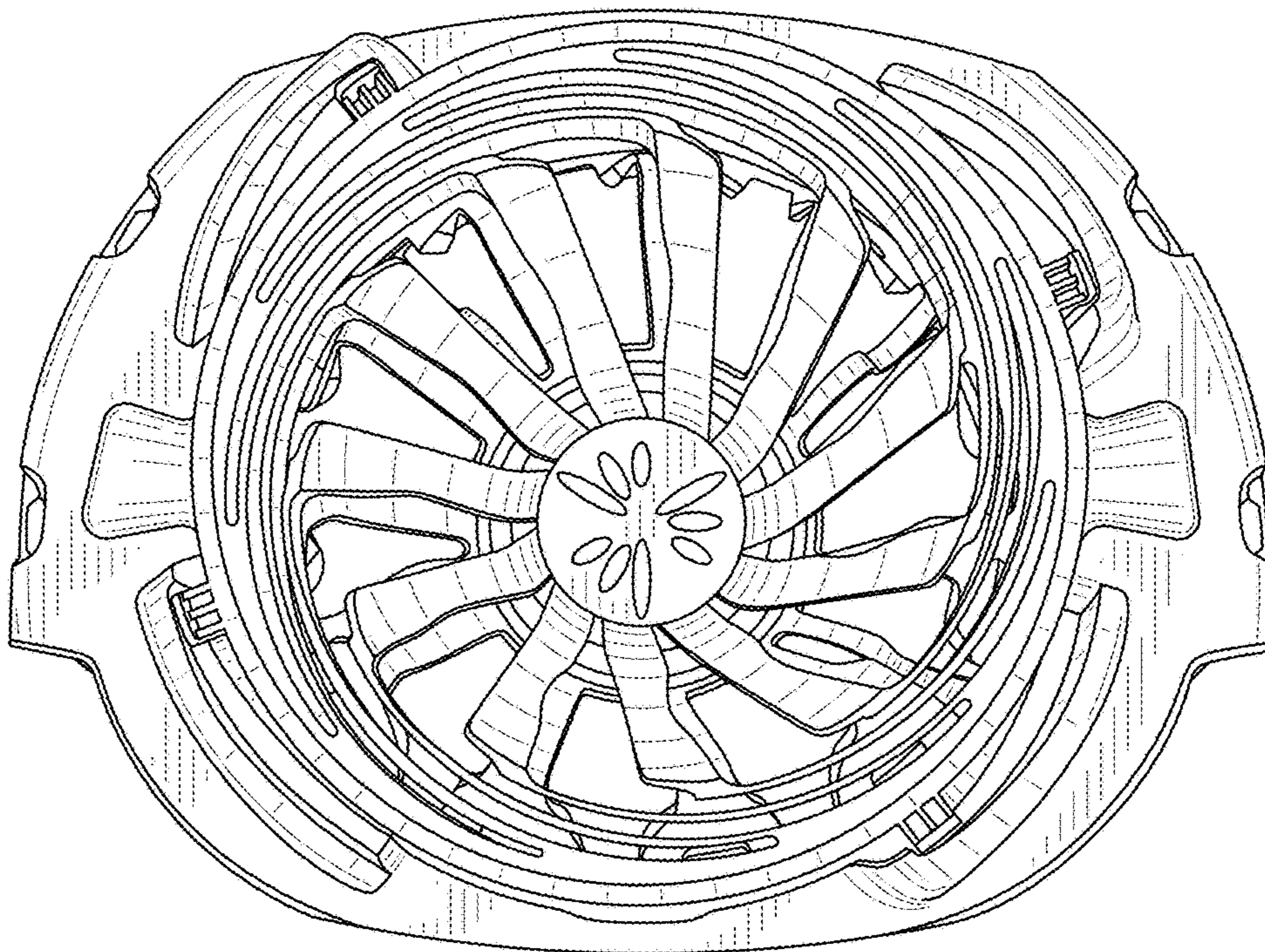


FIG. 7