



US00D804125S

(12) **United States Design Patent**
Rueckheim

(10) **Patent No.:** **US D804,125 S**

(45) **Date of Patent:** **** *Nov. 28, 2017**

(54) **BUCKET**

(71) Applicant: **Carl Freudenberg KG**, Weinheim (DE)

(72) Inventor: **Markus Rueckheim**, Griesheim (DE)

(73) Assignee: **CARL FREUDENBERG KG**, Weinheim (DE)

D645,628 S *	9/2011	Tseng	D32/53
8,239,997 B2 *	8/2012	Lin	A47L 13/58
				15/260
D693,080 S *	11/2013	Shao	D32/53
D707,003 S *	6/2014	Dingert	D32/53
D723,234 S *	2/2015	Lentine	D32/53
D723,758 S *	3/2015	Lentine	D32/53
D728,882 S *	5/2015	Tsai	A47L 13/59
				D32/53
D741,561 S *	10/2015	Zeng	D32/53

(*) Notice: This patent is subject to a terminal disclaimer.

(**) Term: **15 Years**

(21) Appl. No.: **29/581,410**

(22) Filed: **Oct. 19, 2016**

Related U.S. Application Data

(63) Continuation of application No. 29/568,365, filed on Jun. 17, 2016.

(51) **LOC (10) Cl.** **07-07**

(52) **U.S. Cl.**
USPC **D32/53**

(58) **Field of Classification Search**
USPC D32/53, 53.1, 54; 220/570, 904;
15/260-264

CPC A47L 13/142; A47L 13/58
See application file for complete search history.

(56) **References Cited**

U.S. PATENT DOCUMENTS

D499,223 S *	11/2004	Libman	D32/53
D632,446 S *	2/2011	Tseng	D32/53

OTHER PUBLICATIONS

U.S. Appl. No. 29/568,365, filed Jun. 17, 2016.

* cited by examiner

Primary Examiner — Robin V Webster

(74) *Attorney, Agent, or Firm* — Leydig, Voit & Mayer, Ltd.

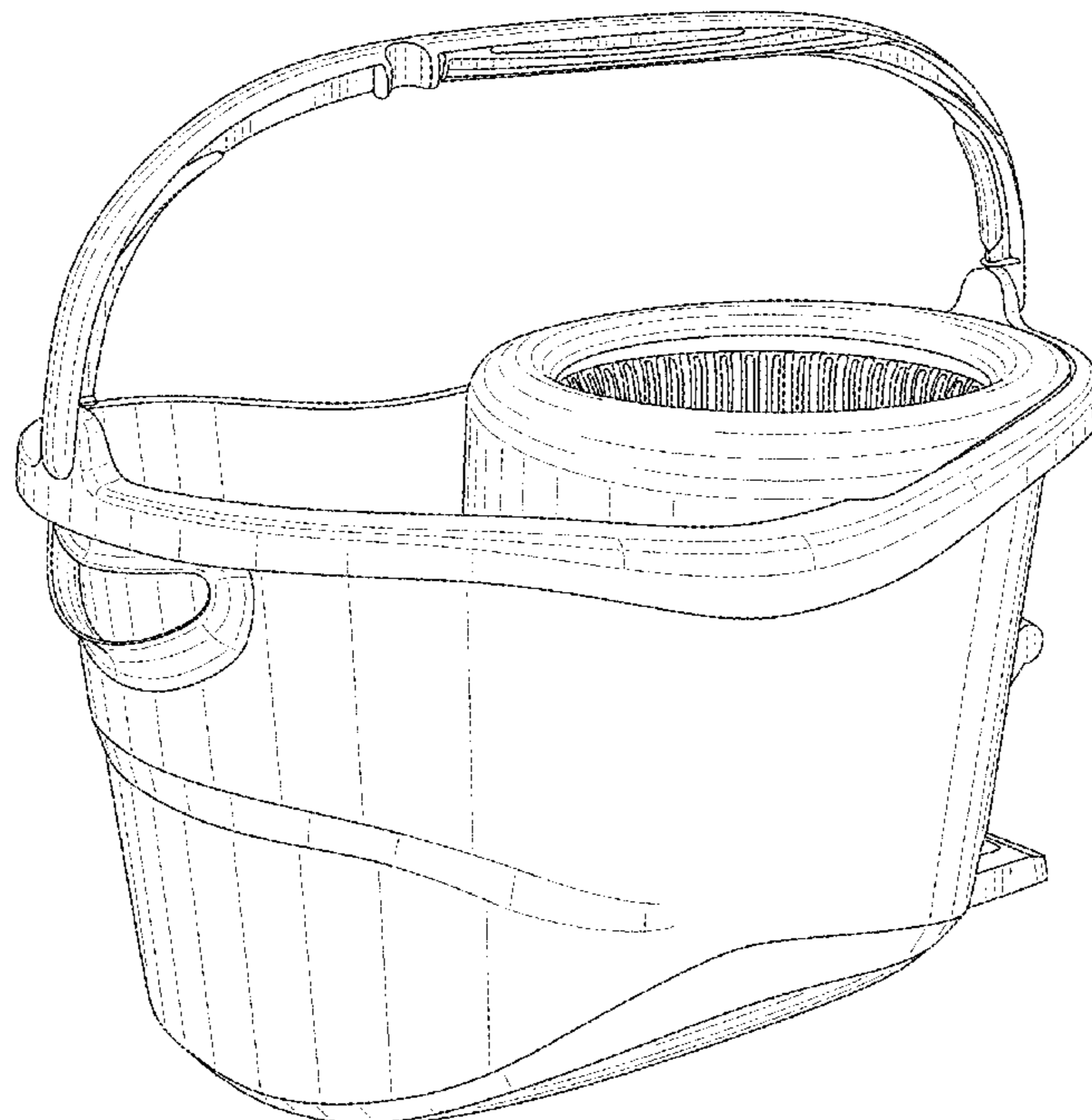
(57) **CLAIM**

The ornamental design for a bucket, as shown.

DESCRIPTION

FIG. 1 is a top right front perspective view of the bucket showing my new design;
FIG. 2 is a right side elevational view thereof;
FIG. 3 is a left side elevational view thereof;
FIG. 4 is a front elevational view thereof;
FIG. 5 is a rear elevational view thereof;
FIG. 6 is a top plan view thereof; and,
FIG. 7 is a bottom plan view thereof.

1 Claim, 6 Drawing Sheets



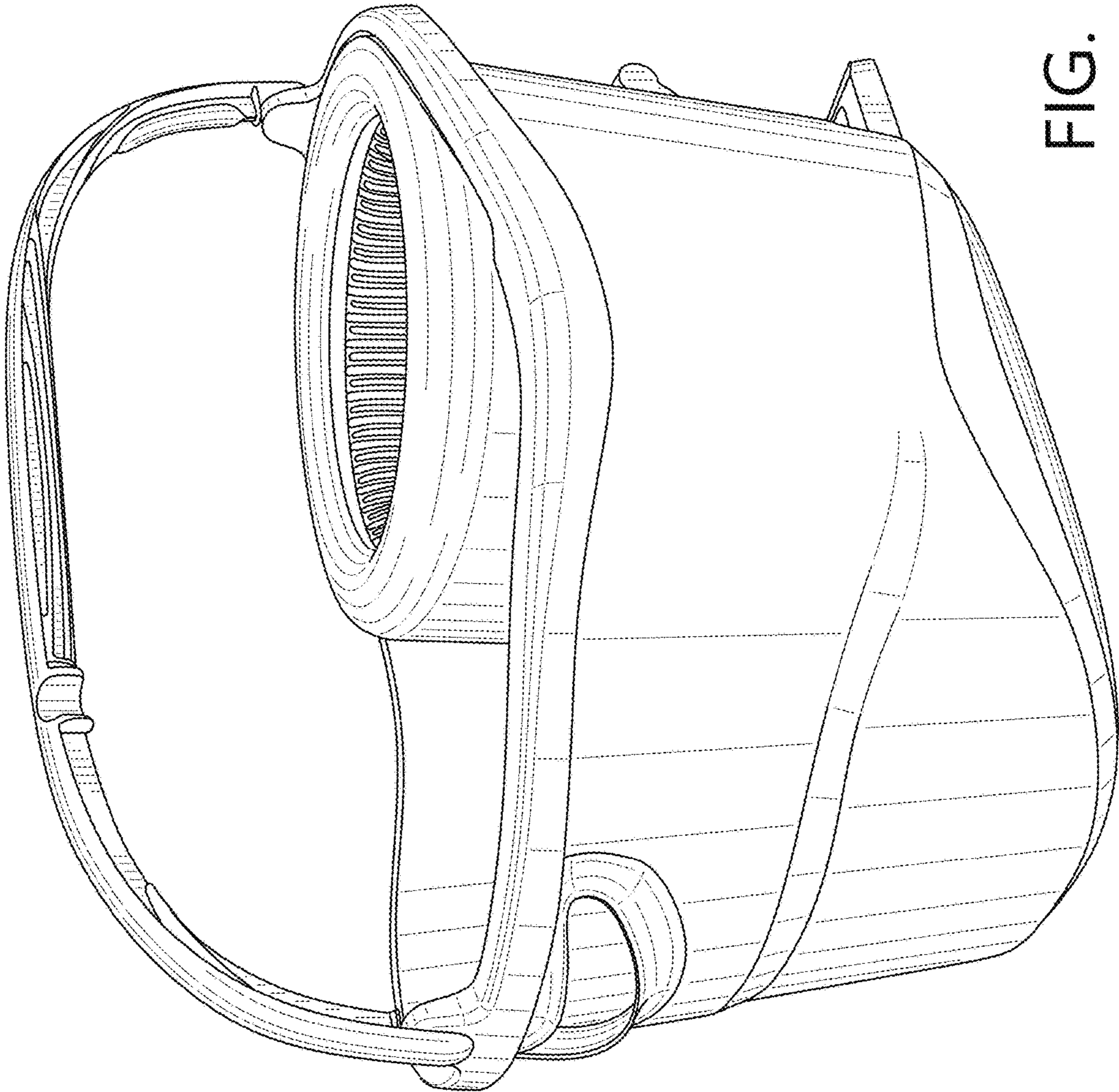


FIG. 1

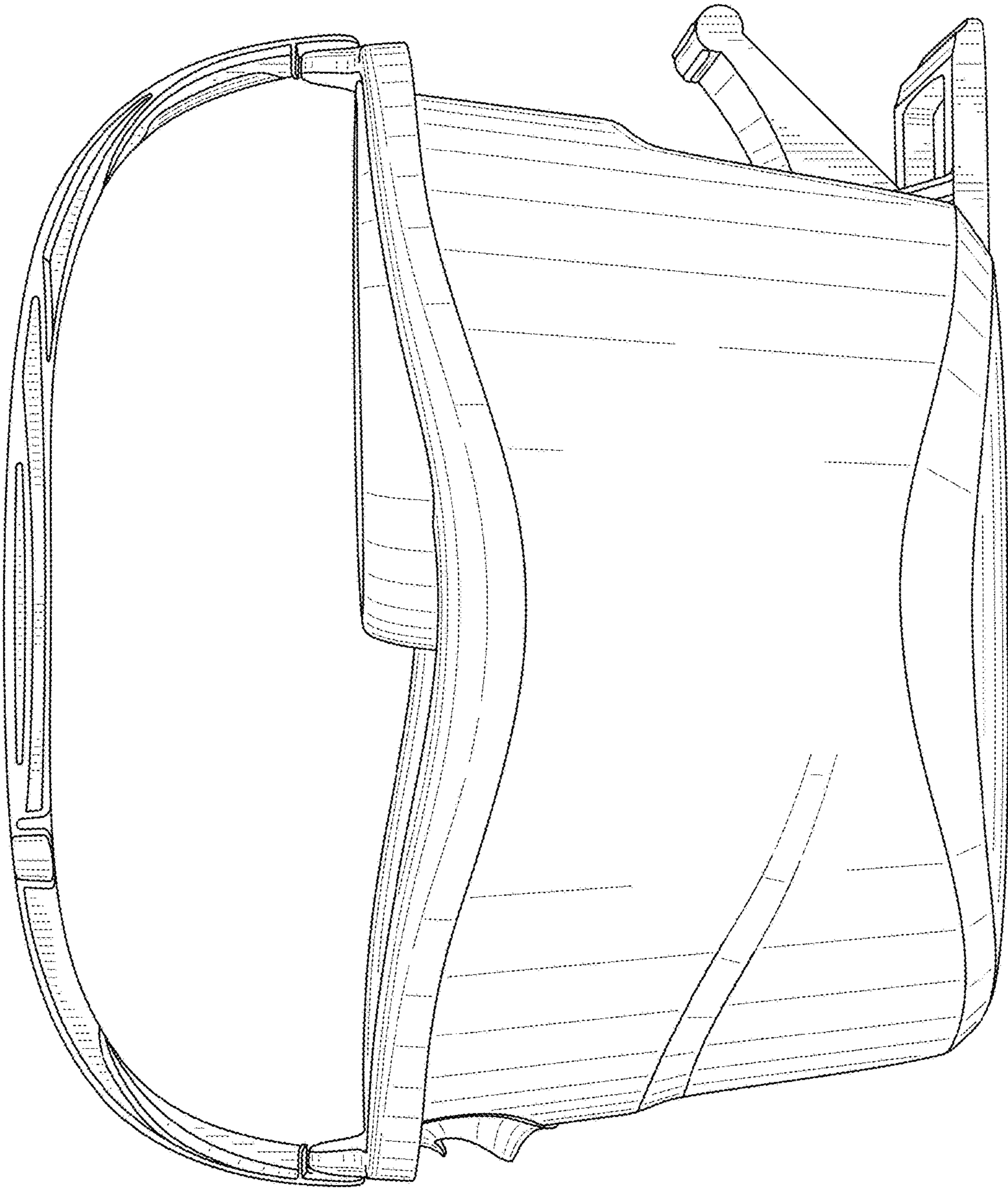


FIG. 2

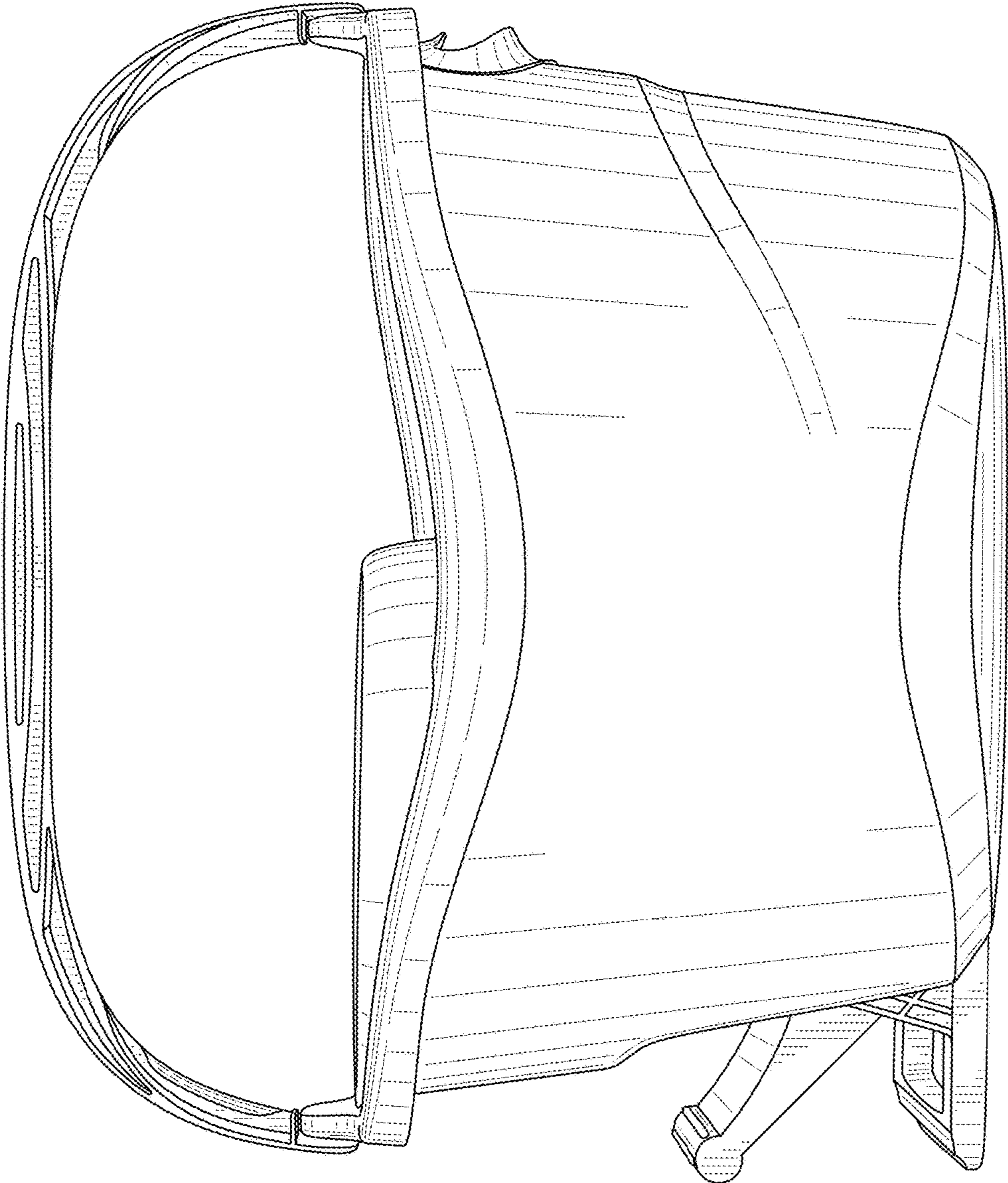


FIG. 3

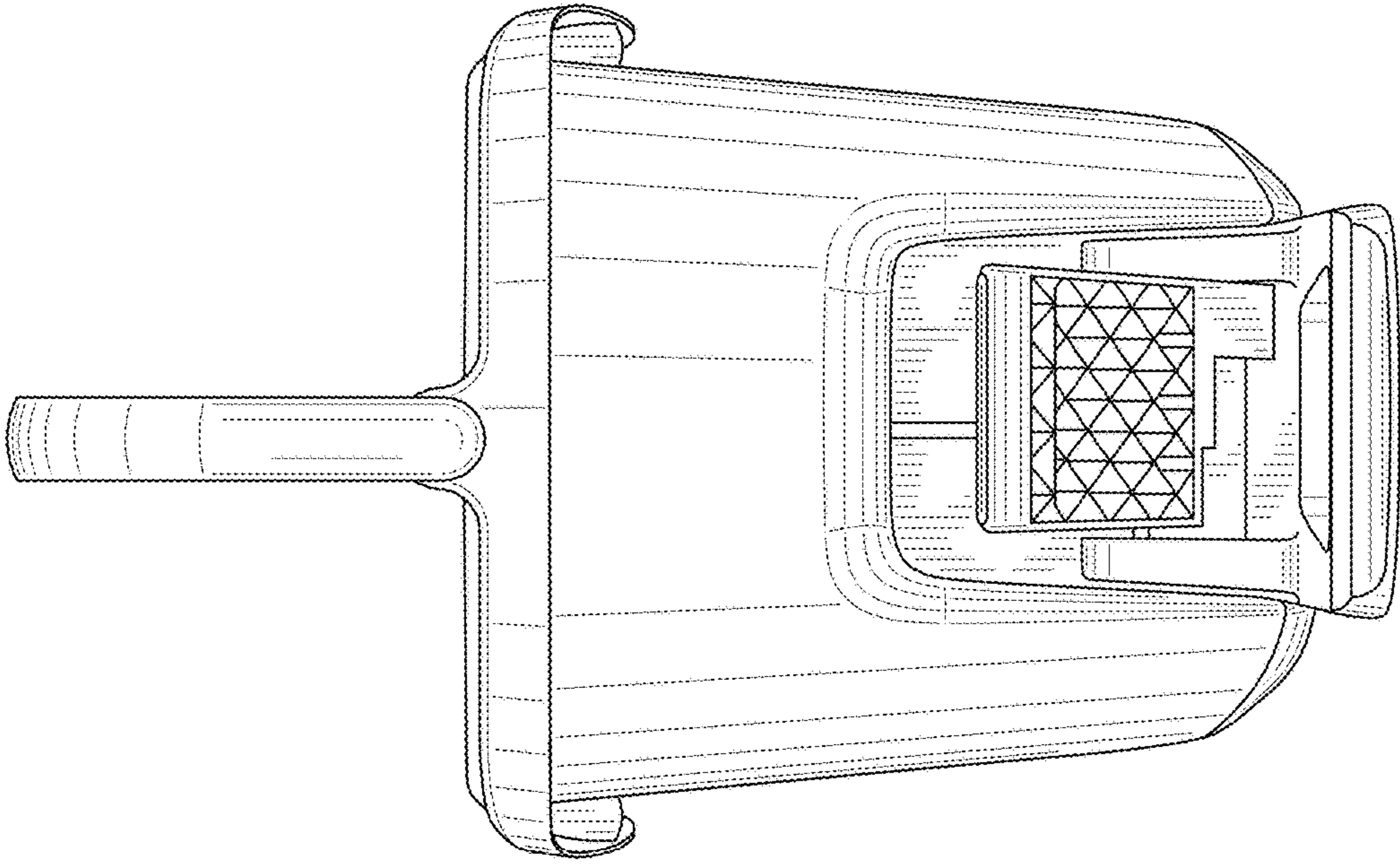


FIG. 5

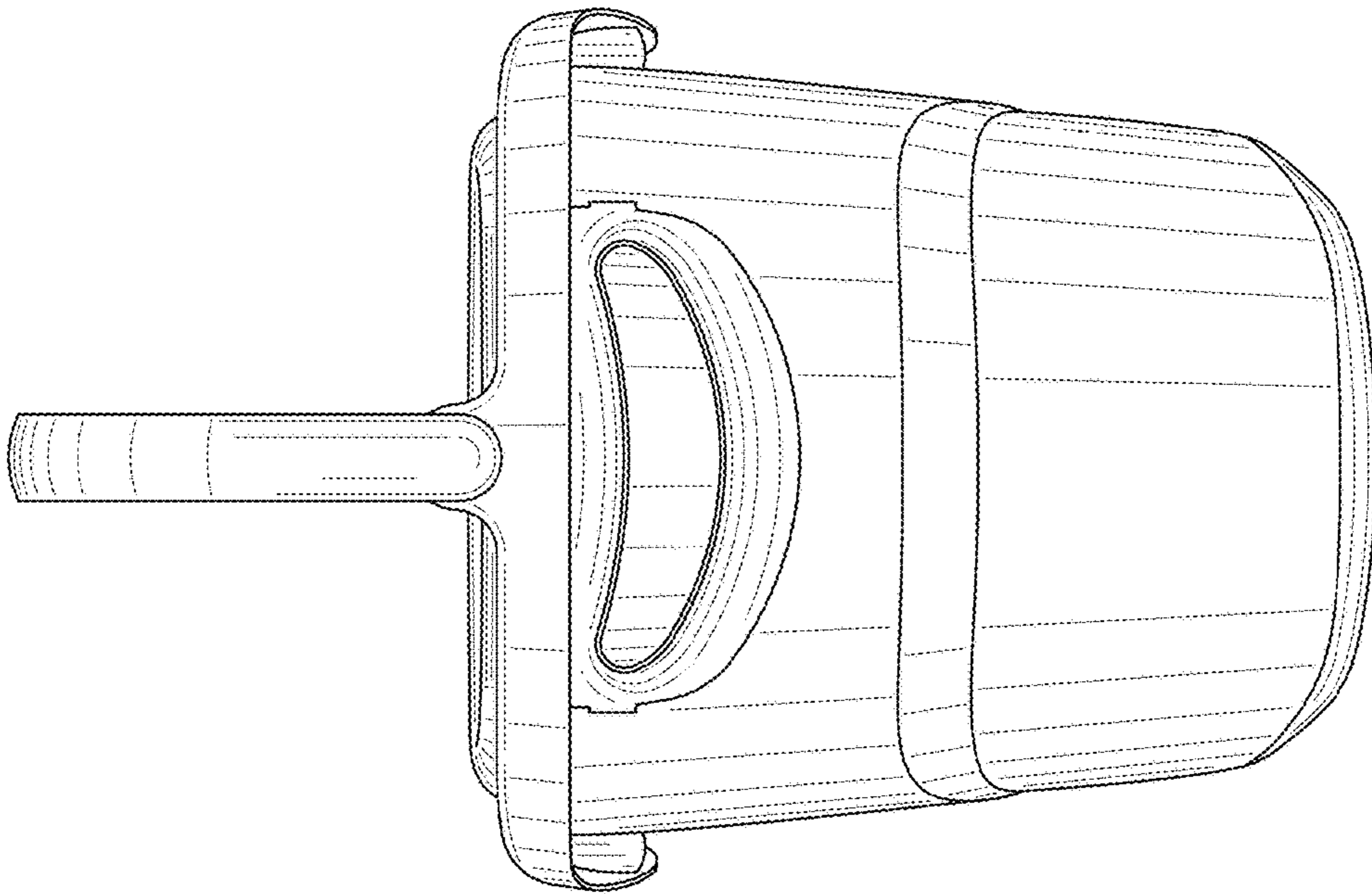


FIG. 4

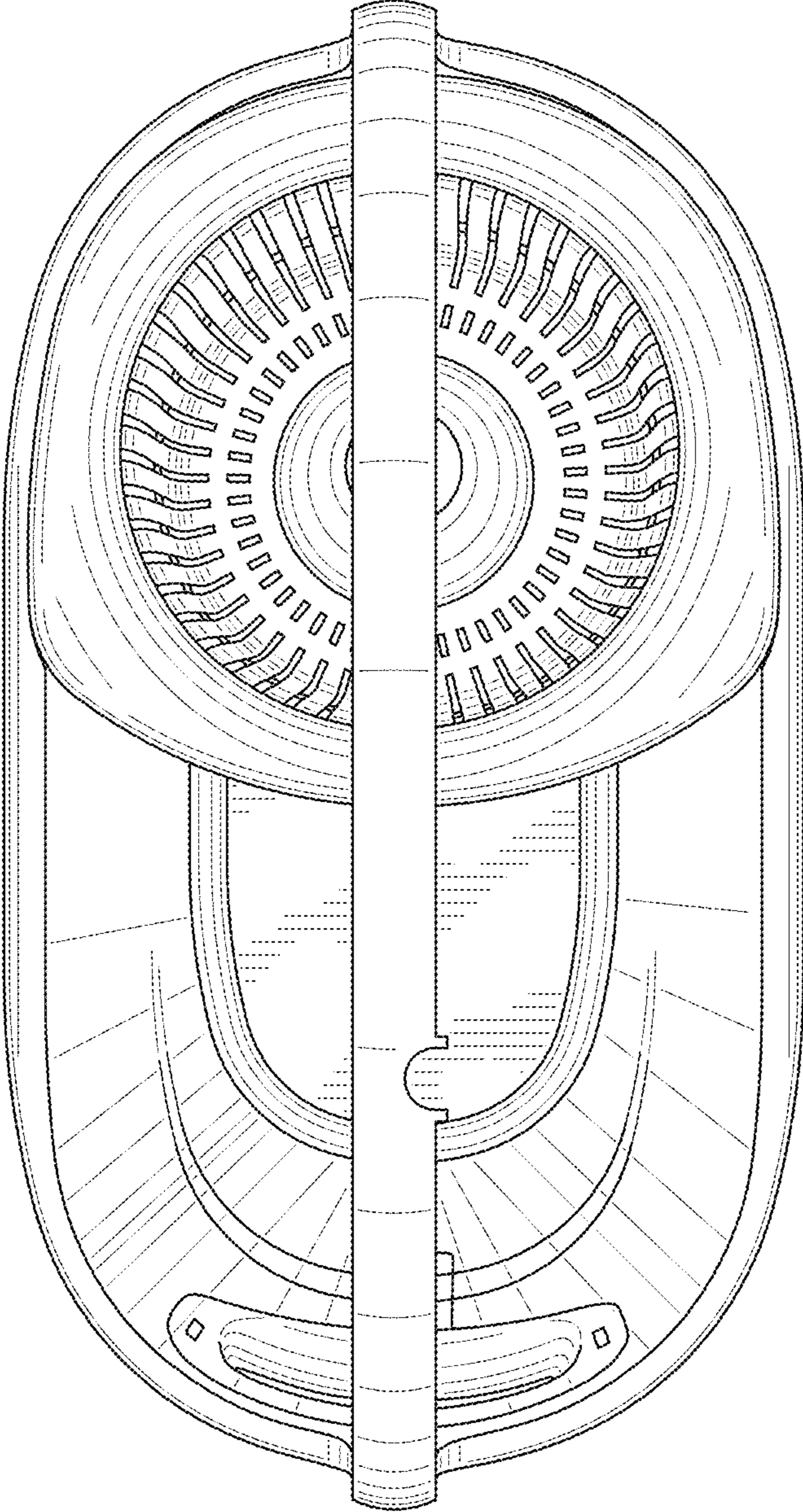


FIG. 6

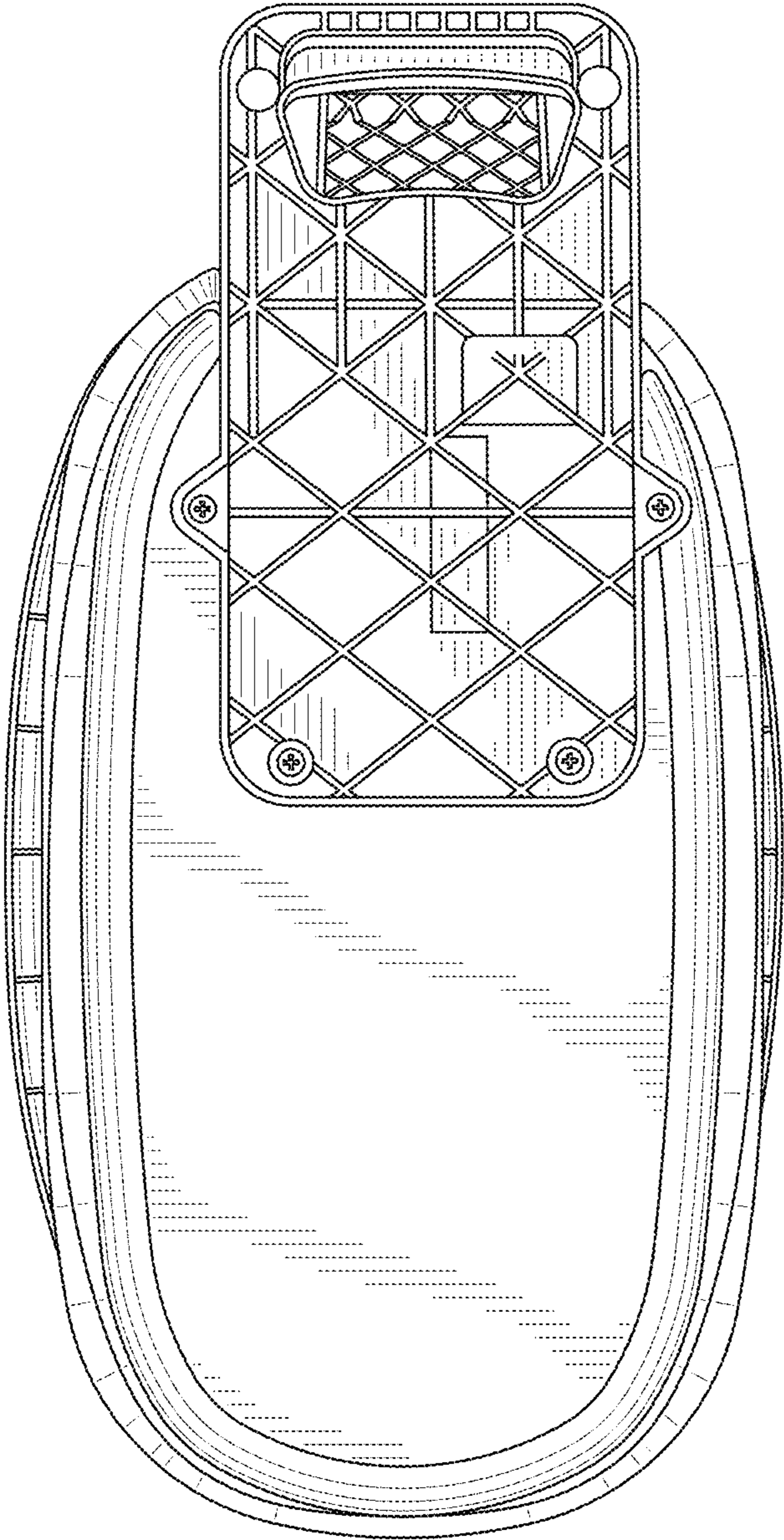


FIG. 7