



US00D804122S

(12) **United States Design Patent** (10) **Patent No.:** **US D804,122 S**  
**Larouche** (45) **Date of Patent:** **\*\* Nov. 28, 2017**

- (54) **SWIMMING POOL BRUSH**
- (71) Applicant: **CPA POOL PRODUCTS, INC.**,  
Blainville (CA)
- (72) Inventor: **Annie Larouche**, Mascouche (CA)
- (73) Assignee: **CPA POOL PRODUCTS, INC.**,  
Blainville (CA)
- (\*\*) Term: **15 Years**
- (21) Appl. No.: **29/561,576**
- (22) Filed: **Apr. 18, 2016**
- (51) **LOC (10) Cl.** ..... **07-05**
- (52) **U.S. Cl.**  
USPC ..... **D32/50**
- (58) **Field of Classification Search**  
USPC ..... D32/40-45, 50-52; D4/130-133  
CPC ..... A01K 63/04; E21B 10/02; A47L 13/16;  
A47L 13/12; A47L 13/22; B05B 15/06  
See application file for complete search history.

(56) **References Cited**

**U.S. PATENT DOCUMENTS**

- D98,120 S \* 1/1936 Cave ..... 15/205
- 3,134,129 A \* 5/1964 Allen ..... A46B 7/04  
15/105
- D209,130 S \* 11/1967 Brookes ..... D4/130
- D277,524 S \* 2/1985 Kubick ..... D32/50
- 4,783,868 A \* 11/1988 O'Callaghan ..... A46B 15/00  
15/1.7
- D321,793 S \* 11/1991 Bryant ..... D32/51
- D351,948 S \* 11/1994 Getchell ..... D32/42
- D382,117 S \* 8/1997 Uranga ..... D4/132
- 5,774,922 A \* 7/1998 Bumb ..... A46B 9/02  
15/159.1
- 5,966,771 A \* 10/1999 Stroud ..... A46B 3/005  
15/117
- D445,572 S \* 7/2001 Rowell ..... D4/133
- D563,107 S \* 3/2008 Folden ..... D4/116
- D568,616 S \* 5/2008 Berti ..... D4/132
- D572,487 S \* 7/2008 Miller ..... D4/118

- 8,024,833 B2 \* 9/2011 Fuller ..... A46B 5/0095  
15/1.7
  - D664,772 S \* 8/2012 Rossano ..... D4/132
  - D693,078 S \* 11/2013 Nordvik ..... D32/50
  - D693,079 S \* 11/2013 Nordvik ..... D32/50
- (Continued)

**FOREIGN PATENT DOCUMENTS**

- CN 300856961 \* 12/2008
- EM 000679808-0003 \* 4/2007

**OTHER PUBLICATIONS**

Amazon.com : Poolmaster 20171 18" Aluminum-Back Brush, review dte Sep. 22, 2014, [site visited Apr. 29, 2017 3:09:52 PM], [https://www.amazon.com/...D2Q5BY97PW1Q&pf\\_rd\\_t=101&pf\\_rd\\_p=22266983-cc9a-40b8-9429-9359967ba441&pf\\_rd\\_p=22266983-cc9a-40b8-9429-9359967ba441&pf\\_rd\\_i=1272984011.\\*](https://www.amazon.com/...D2Q5BY97PW1Q&pf_rd_t=101&pf_rd_p=22266983-cc9a-40b8-9429-9359967ba441&pf_rd_p=22266983-cc9a-40b8-9429-9359967ba441&pf_rd_i=1272984011.*)

(Continued)

*Primary Examiner* — John Windmuller  
*Assistant Examiner* — John R Yeh  
(74) *Attorney, Agent, or Firm* — Hodgson Russ LLP

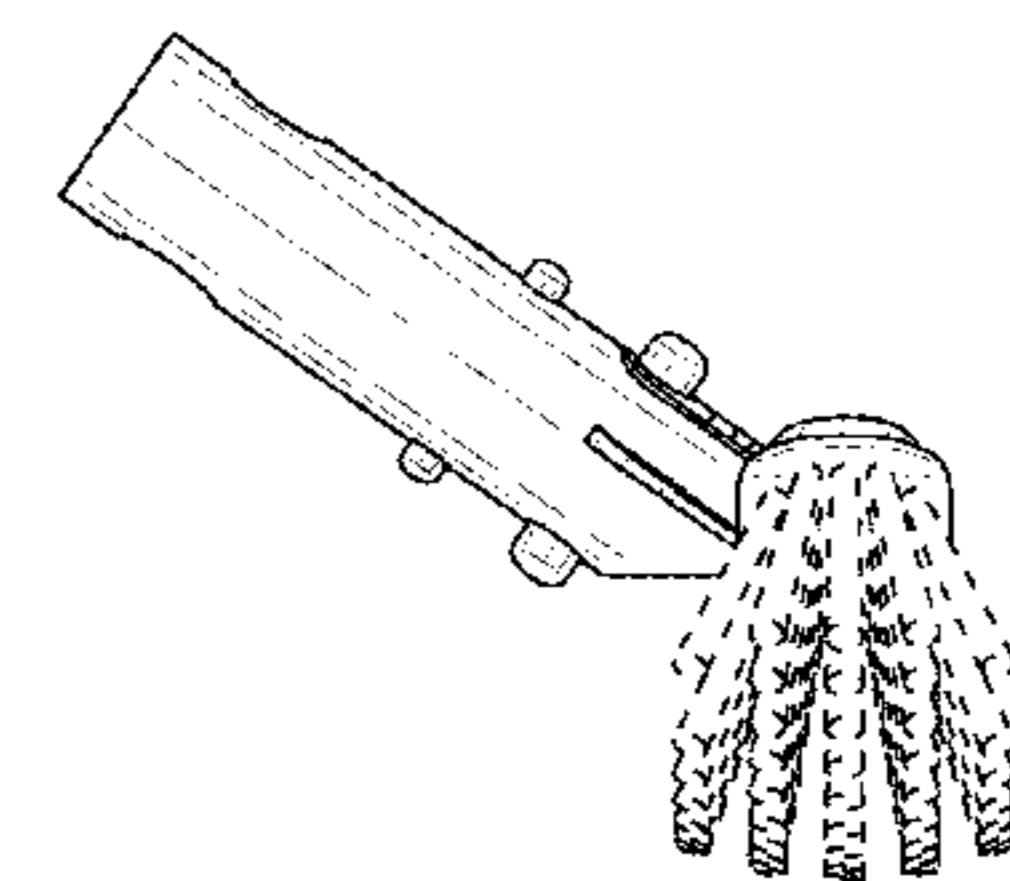
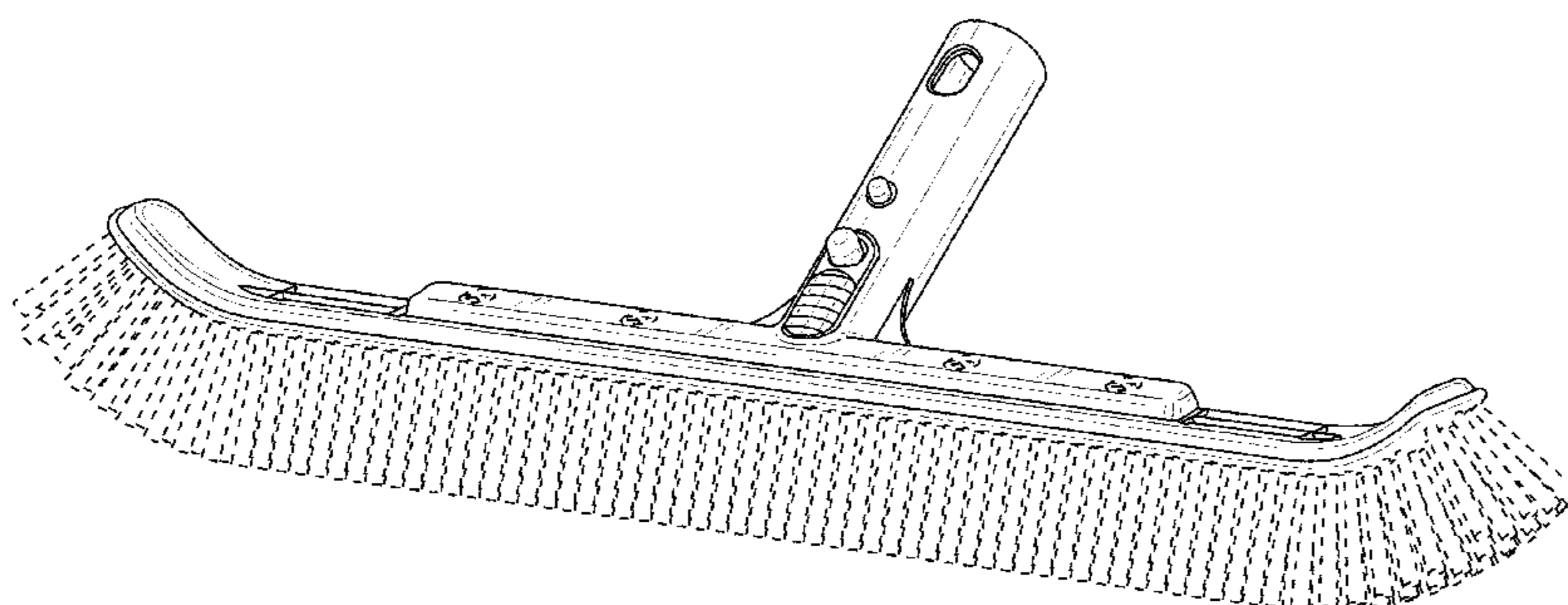
(57) **CLAIM**

The ornamental design for a swimming pool brush, as shown and described.

**DESCRIPTION**

FIG. 1. is a front perspective view of a swimming pool brush showing my new design;  
FIG. 2 is a front elevational view thereof;  
FIG. 3 is a rear elevational view thereof;  
FIG. 4 is a right side elevational view thereof;  
FIG. 5 is a left side elevational view thereof;  
FIG. 6 is a top view thereof; and,  
FIG. 7 is a bottom view thereof.  
The broken lines illustrate unclaimed portions of the swimming pool brush that form no part of the claimed design.

**1 Claim, 6 Drawing Sheets**



(56)

**References Cited**

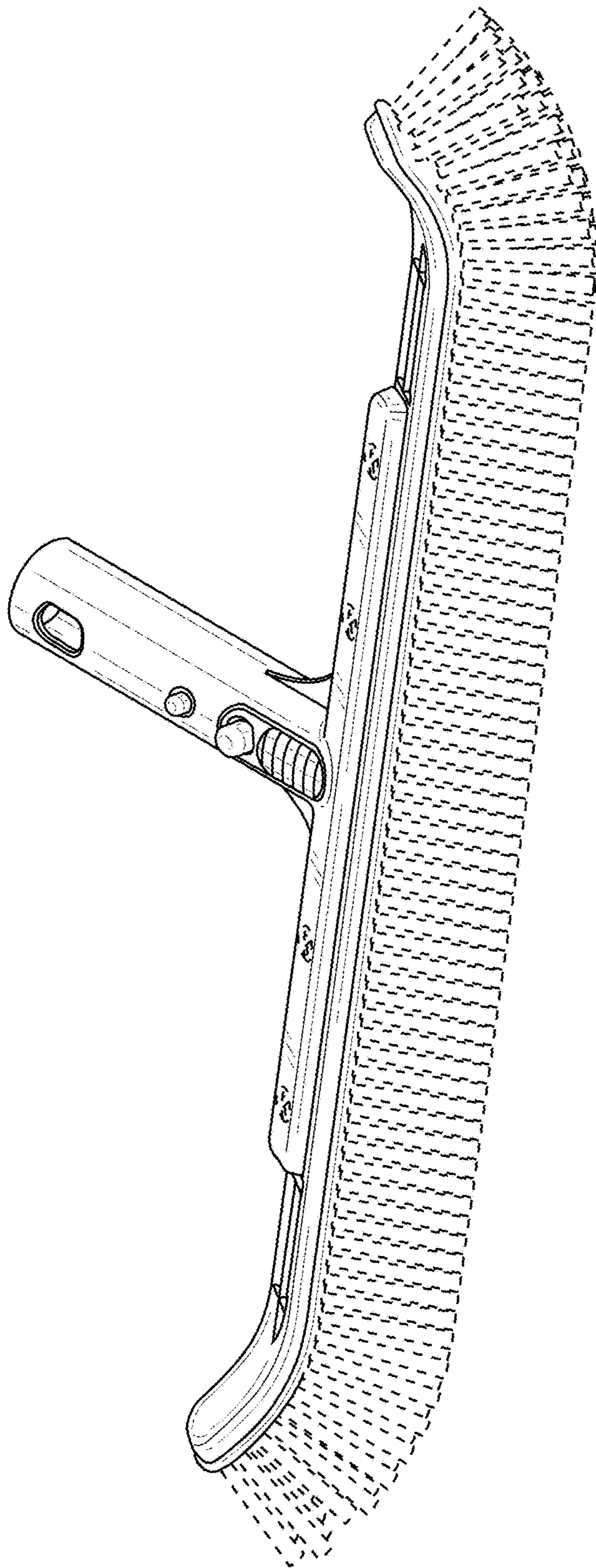
U.S. PATENT DOCUMENTS

D747,884 S \* 1/2016 Chalifoux ..... D4/132  
D765,420 S \* 9/2016 Suh ..... D4/130  
2004/0060129 A1\* 4/2004 Juett ..... A46B 17/08  
15/1.7  
2004/0255427 A1\* 12/2004 Gavney, Jr. .... A46B 9/005  
15/401  
2009/0282633 A1\* 11/2009 Fuller ..... A46B 5/0095  
15/160  
2010/0140836 A1\* 6/2010 Weaver ..... A46B 15/0055  
264/243  
2014/0331426 A1\* 11/2014 Weis ..... A46B 7/04  
15/114

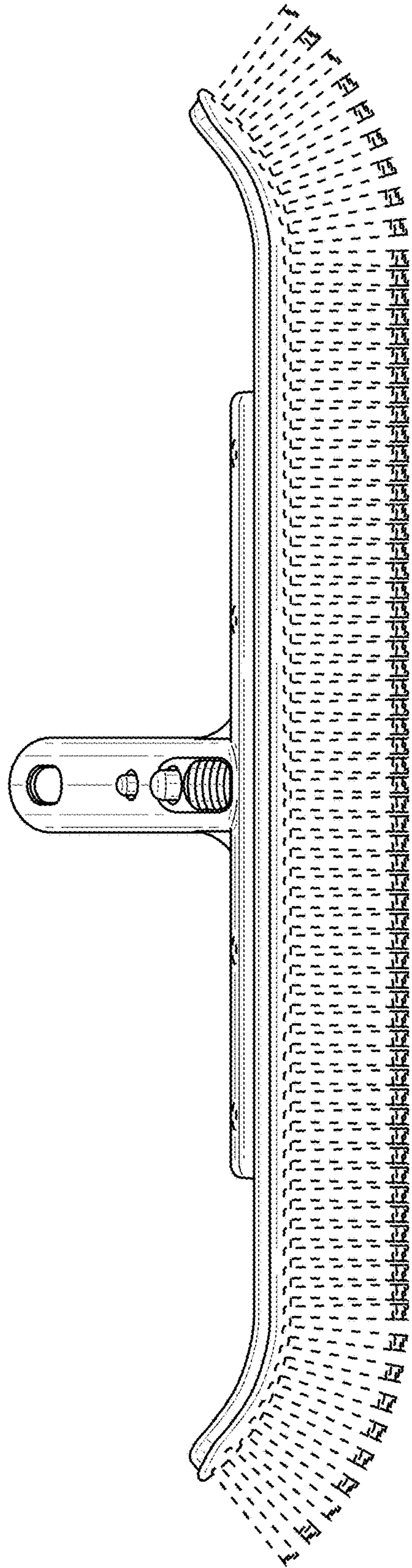
OTHER PUBLICATIONS

Milliard, "Milliard Pool Brush, 18" Extra-Wide, Heavy Duty Wire, Algae Cleaner Brush Designed for Concrete and Gunitite Pools for Extremely Tough Stain Removal", [https://www.amazon.com/Milliard-Extra-Wide-Designed-Concrete-Extremely/dp/B00IT2W5EU/ref=cm\\_cr\\_arp\\_d\\_product\\_top?ie=UTF8](https://www.amazon.com/Milliard-Extra-Wide-Designed-Concrete-Extremely/dp/B00IT2W5EU/ref=cm_cr_arp_d_product_top?ie=UTF8), last accessed Jul. 17, 2017.  
Poolmaster, "Brushes", <http://www.poolmaster.com/category/maintenance/brushes/?showall=-1>, last accessed Jul. 17, 2017.

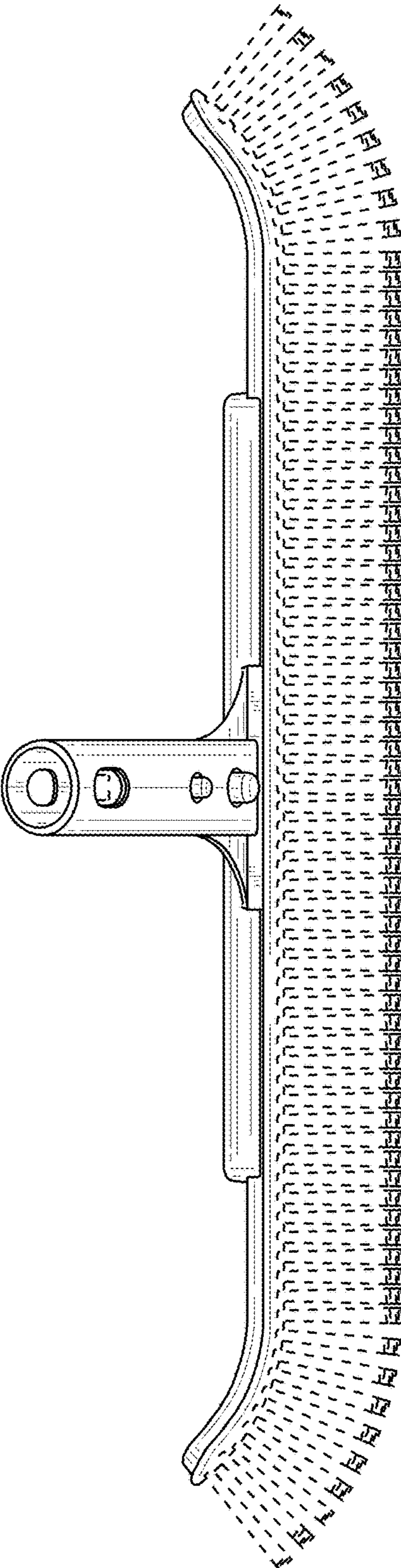
\* cited by examiner



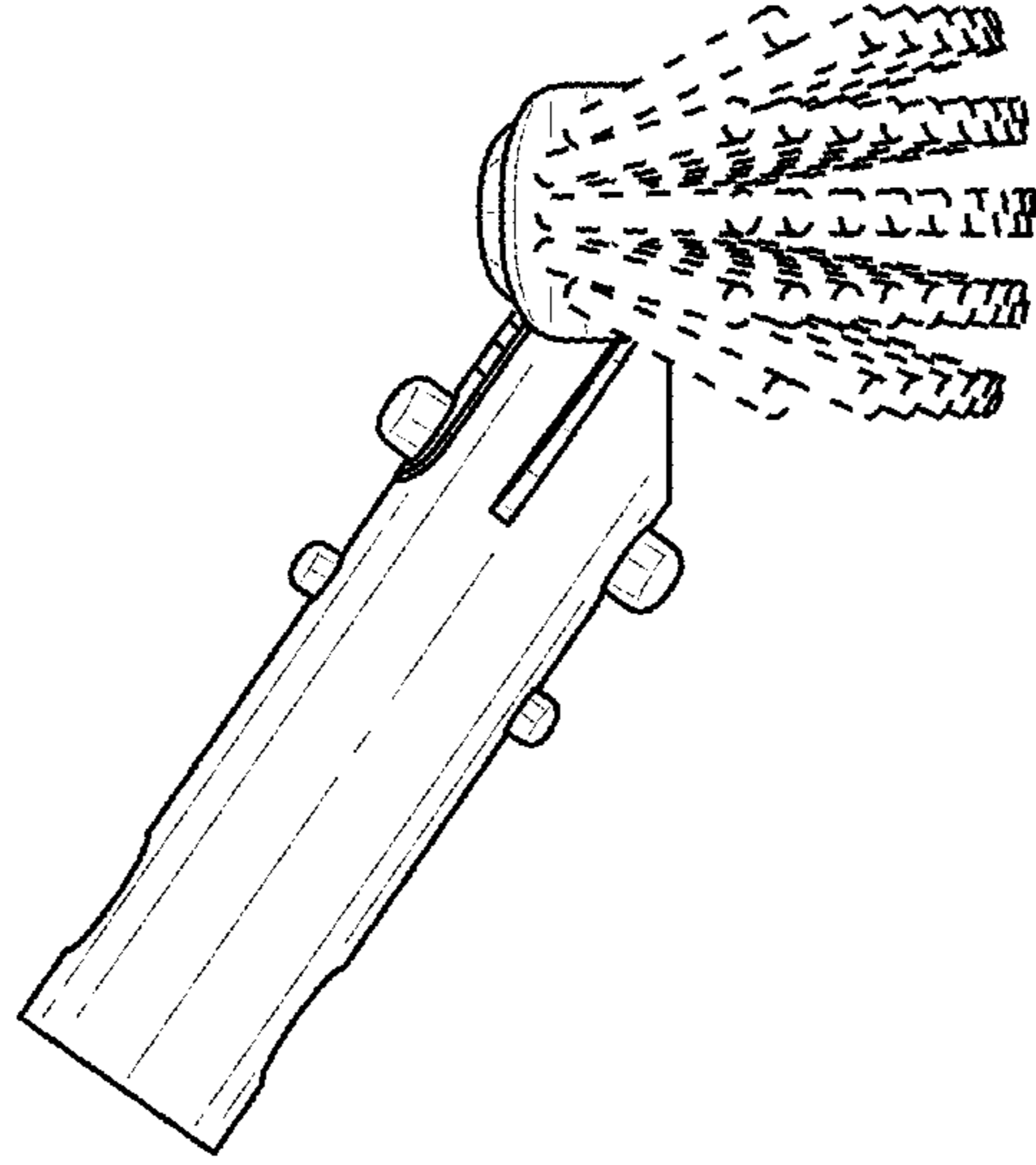
**FIG. 1**



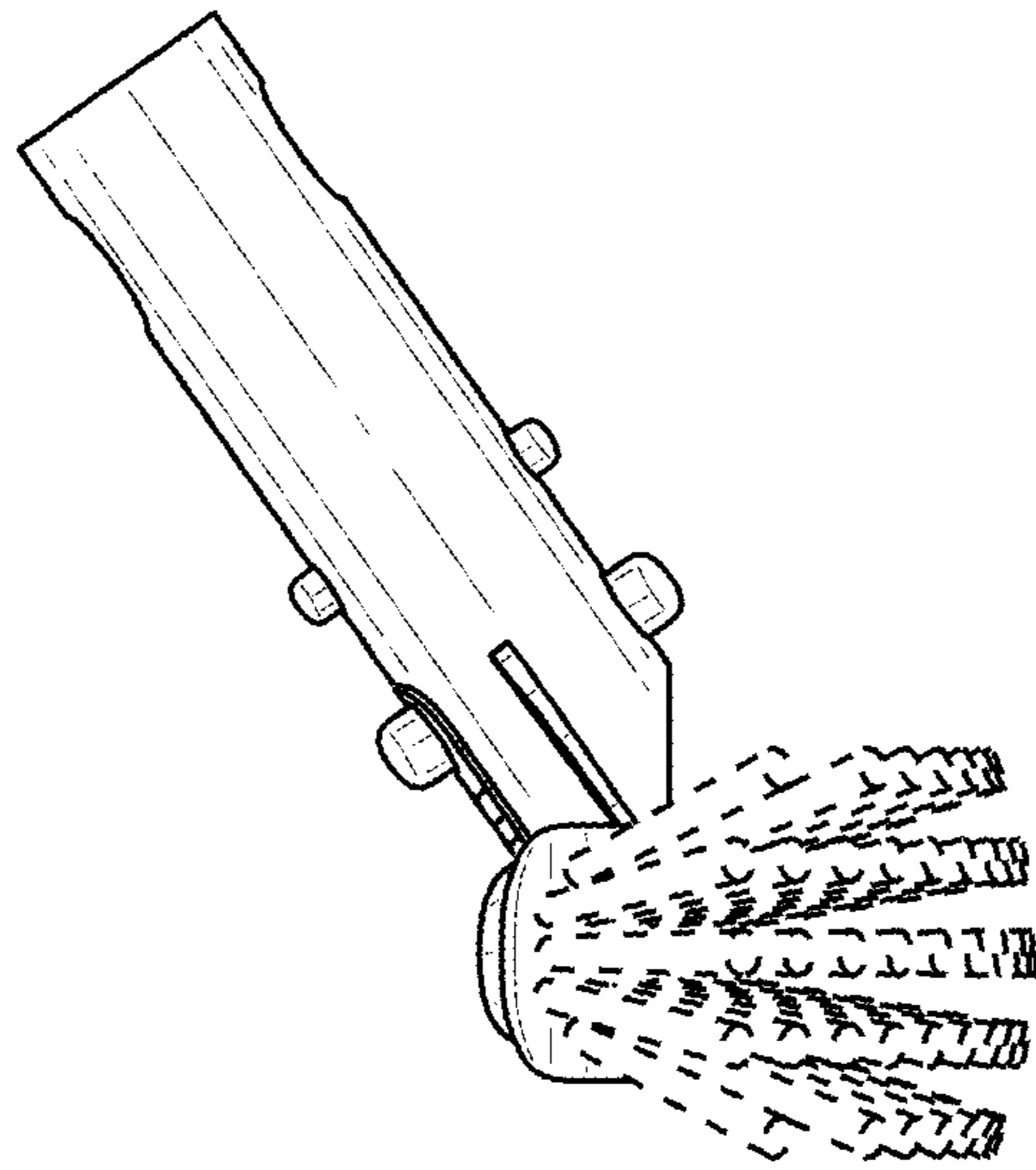
**FIG. 2**



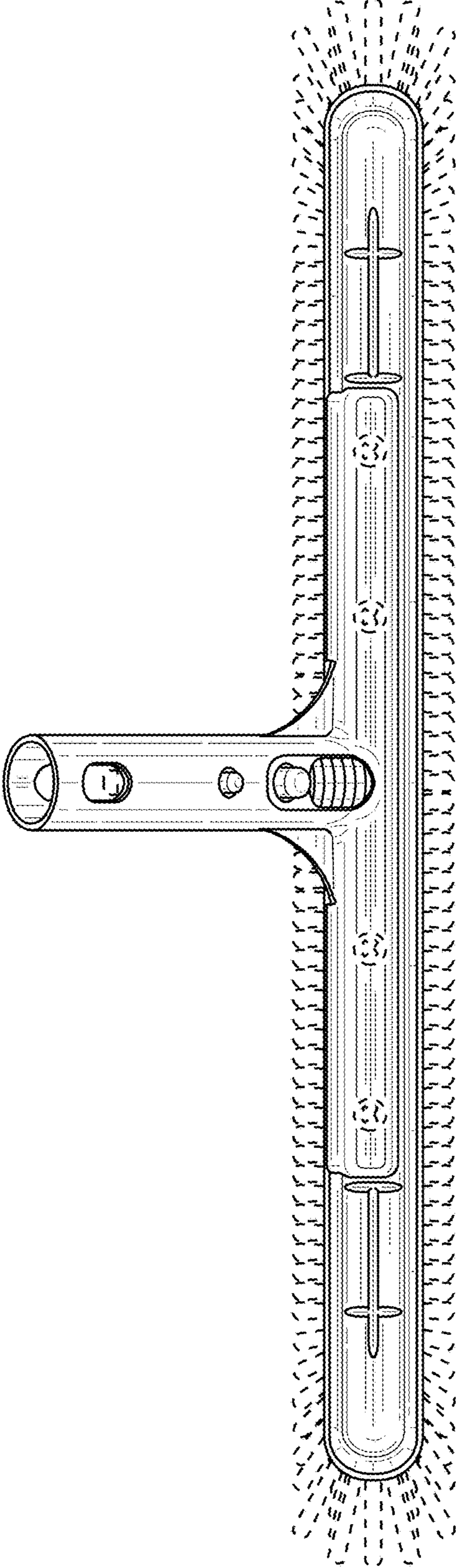
**FIG. 3**



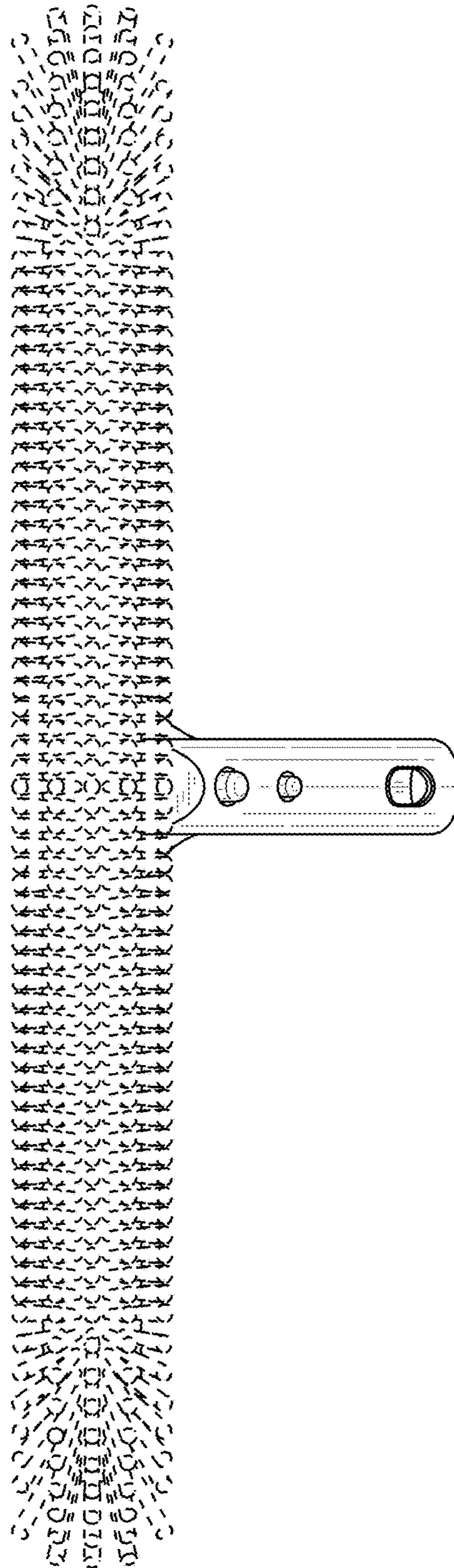
**FIG. 5**



**FIG. 4**



**FIG. 6**



**FIG. 7**