



US00D804120S

(12) **United States Design Patent**  
**Bond**

(10) **Patent No.:** **US D804,120 S**

(45) **Date of Patent:** **\*\* Nov. 28, 2017**

(54) **VACUUM CLEANER**

(71) Applicant: **SHARKNINJA OPERATING LLC,**  
Newton, MA (US)

(72) Inventor: **Brian Bond,** Woburn, MA (US)

(73) Assignee: **SharkNinja Operating LLC,**  
Needham, MA (US)

(\*\*) Term: **15 Years**

(21) Appl. No.: **29/566,741**

(22) Filed: **Jun. 2, 2016**

(51) **LOC (10) Cl.** ..... **15-05**

(52) **U.S. Cl.**  
USPC ..... **D32/31**

(58) **Field of Classification Search**  
USPC ..... D32/17-18, 22, 31, 34, 45, 50-51;  
D8/374, 323, 325  
CPC ..... A47L 5/24; A47L 5/28; A47L 5/34; A47L  
7/0038; A47L 9/325; A47L 9/02; A47L  
11/34; A47L 11/4086; A47L 13/26; A47L  
13/225; A47L 13/22; B08B 9/0323; A23C  
3/031

See application file for complete search history.

(56) **References Cited**

**U.S. PATENT DOCUMENTS**

D521,699 S \* 5/2006 Greene ..... D32/22  
D662,271 S \* 6/2012 Conrad ..... D32/31

D662,272 S \* 6/2012 Conrad ..... D32/31  
D685,961 S \* 7/2013 Bilger ..... D32/31  
D739,620 S \* 9/2015 Johnson ..... D32/22  
D740,505 S \* 10/2015 Gidwell ..... D32/31  
D769,557 S \* 10/2016 Johnson ..... D32/22  
D770,106 S \* 10/2016 Johnson ..... D32/22

\* cited by examiner

*Primary Examiner* — Ruth McInroy

(74) *Attorney, Agent, or Firm* — Grossman Tucker  
Perreault & Pflieger, PLLC

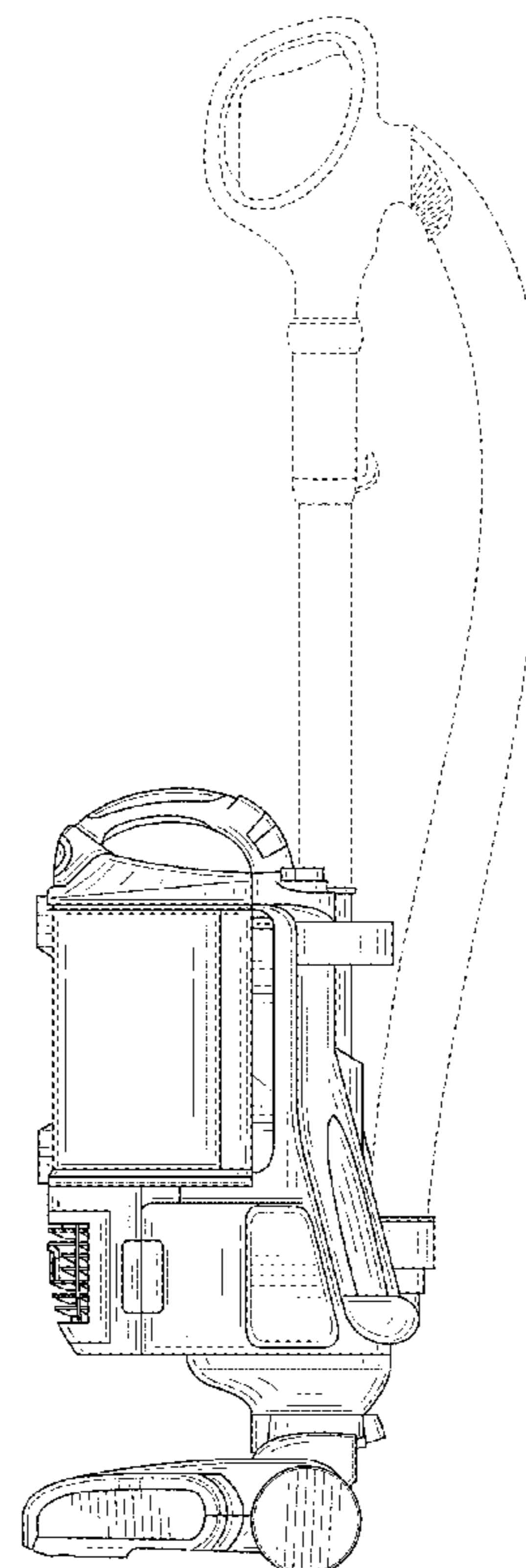
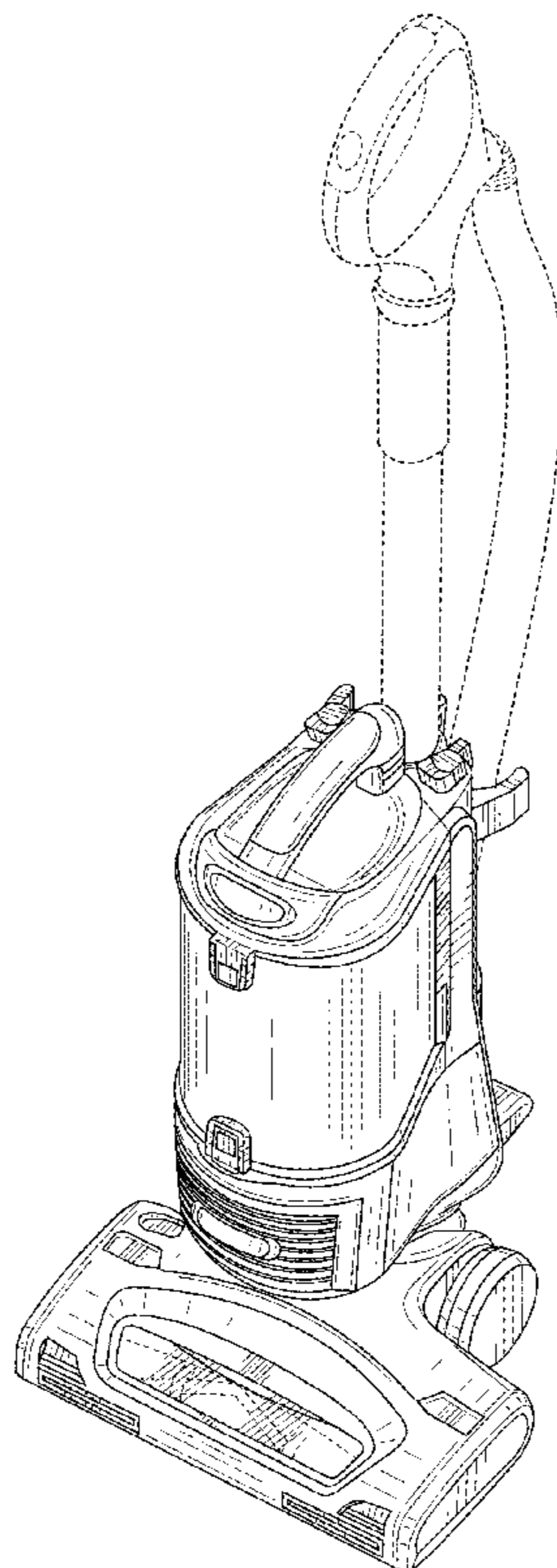
(57) **CLAIM**

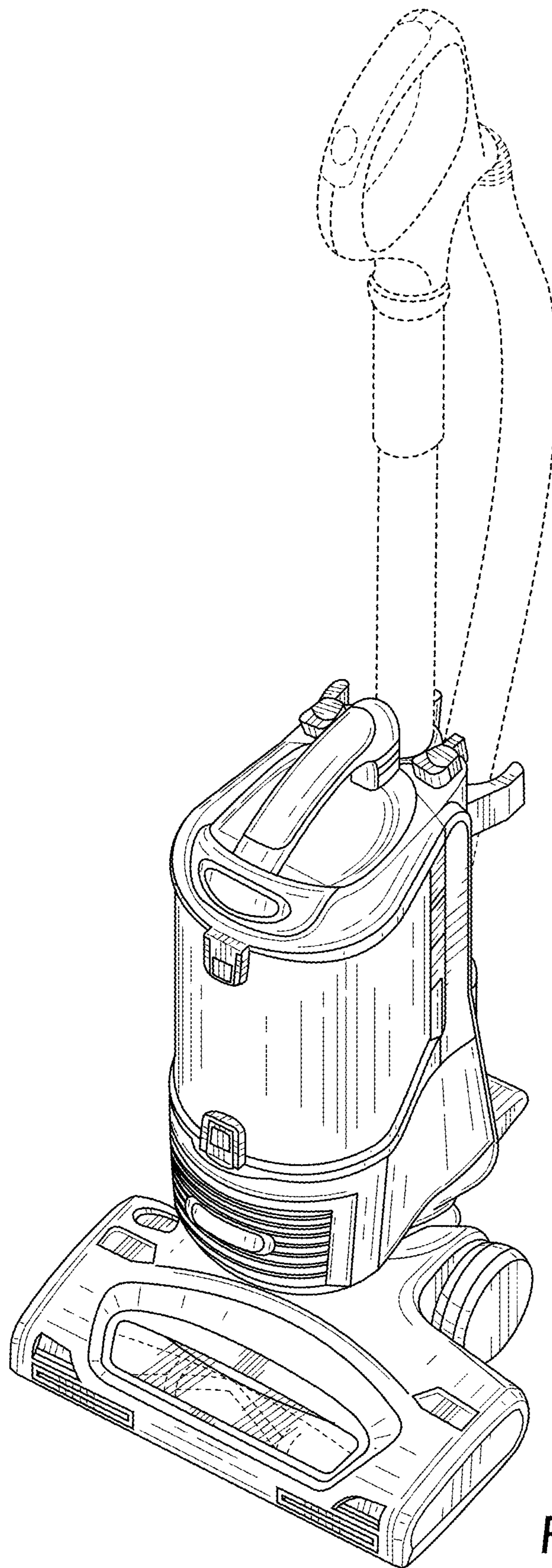
I claim the ornamental design for a vacuum cleaner, as shown and described.

**DESCRIPTION**

FIG. 1 is a top perspective view of a vacuum cleaner showing my new design;  
FIG. 2 is a front view of the vacuum cleaner in FIG. 1;  
FIG. 3 is a rear view of the vacuum cleaner in FIG. 1;  
FIG. 4 is a left side view of the vacuum cleaner in FIG. 1;  
FIG. 5 is a right side view of the vacuum cleaner in FIG. 1;  
FIG. 6 is a top view of the vacuum cleaner in FIG. 1; and,  
FIG. 7 is a bottom view of the vacuum cleaner in FIG. 1.  
The broken lines are included for the purpose of illustrating the unclaimed portions of the article and form no part of the claim.

**1 Claim, 7 Drawing Sheets**





**FIG. 1**

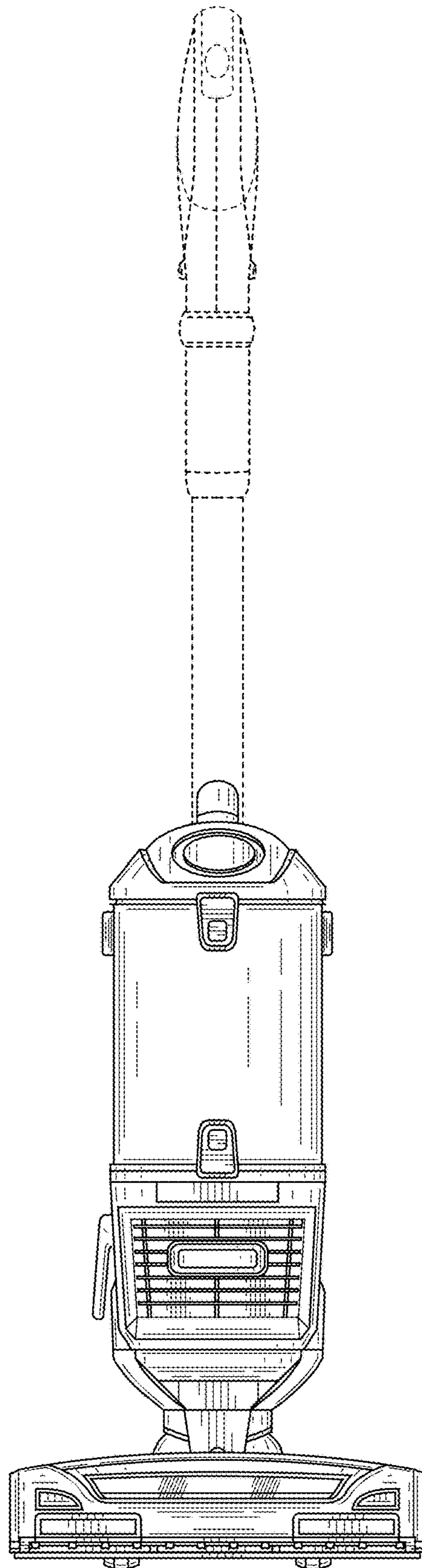
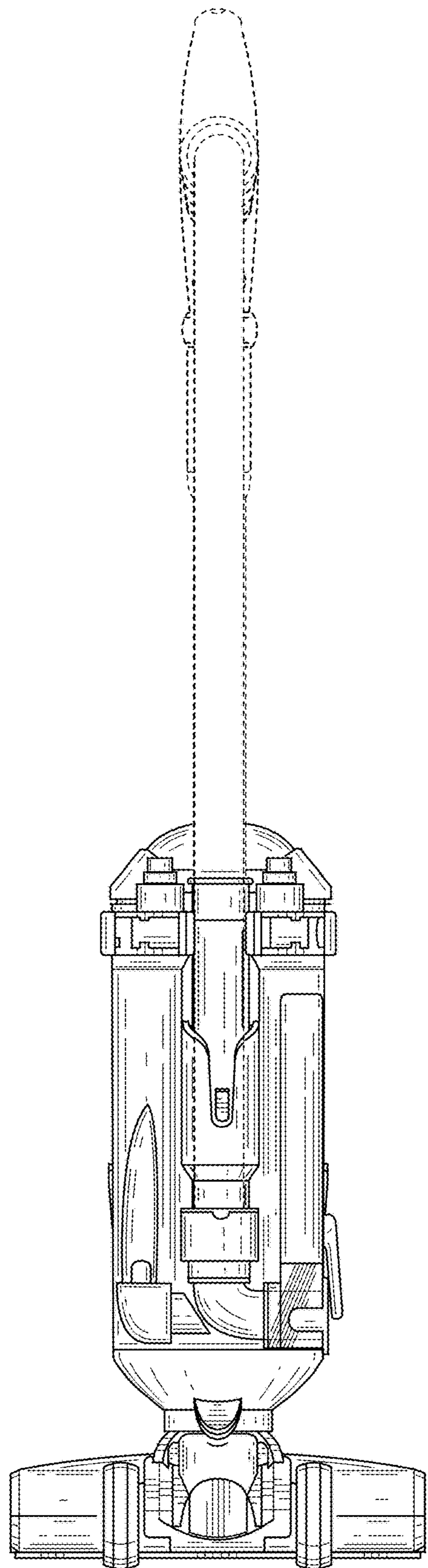


FIG. 2



**FIG. 3**



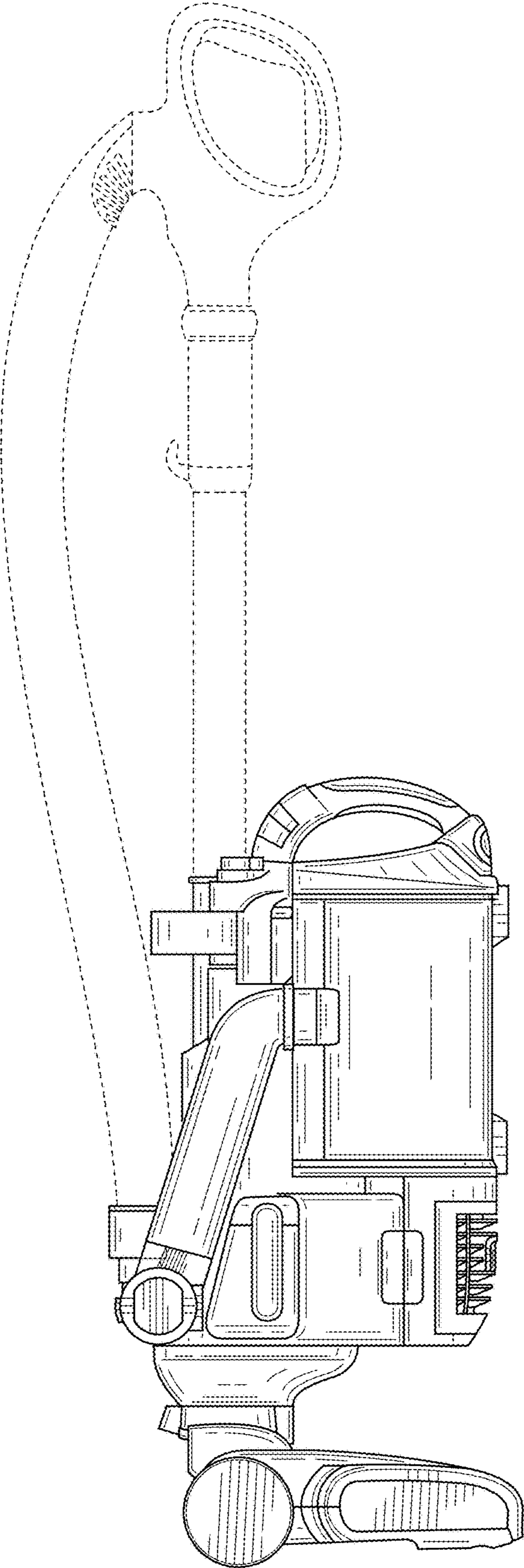


FIG. 4

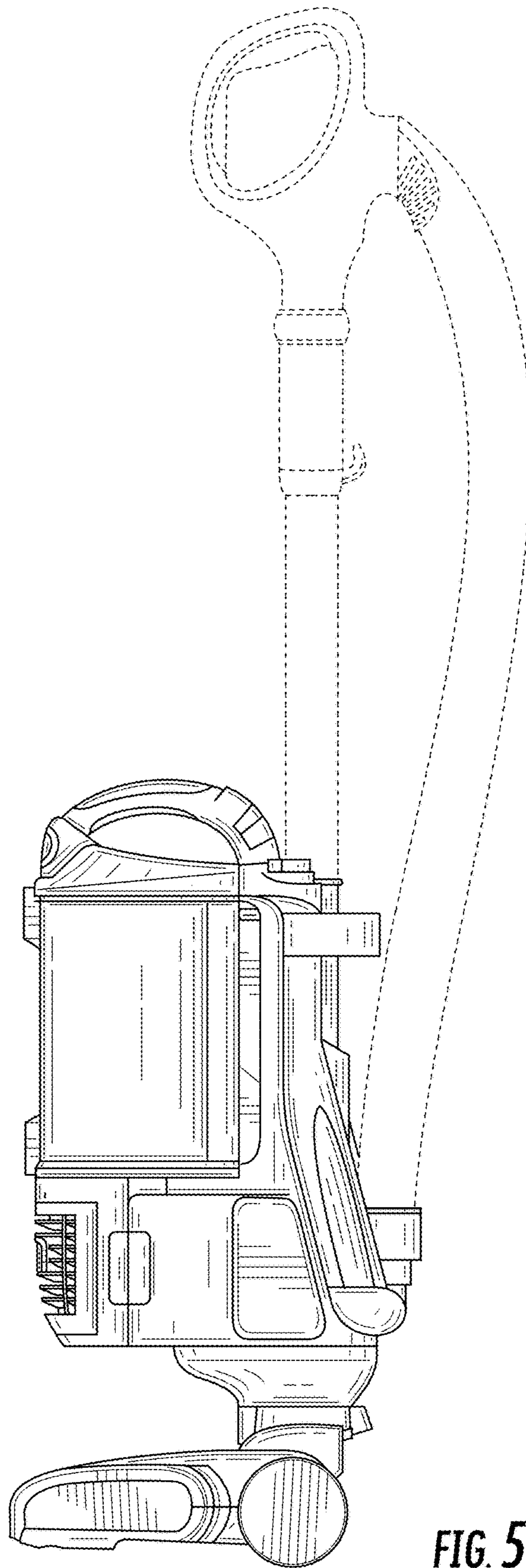
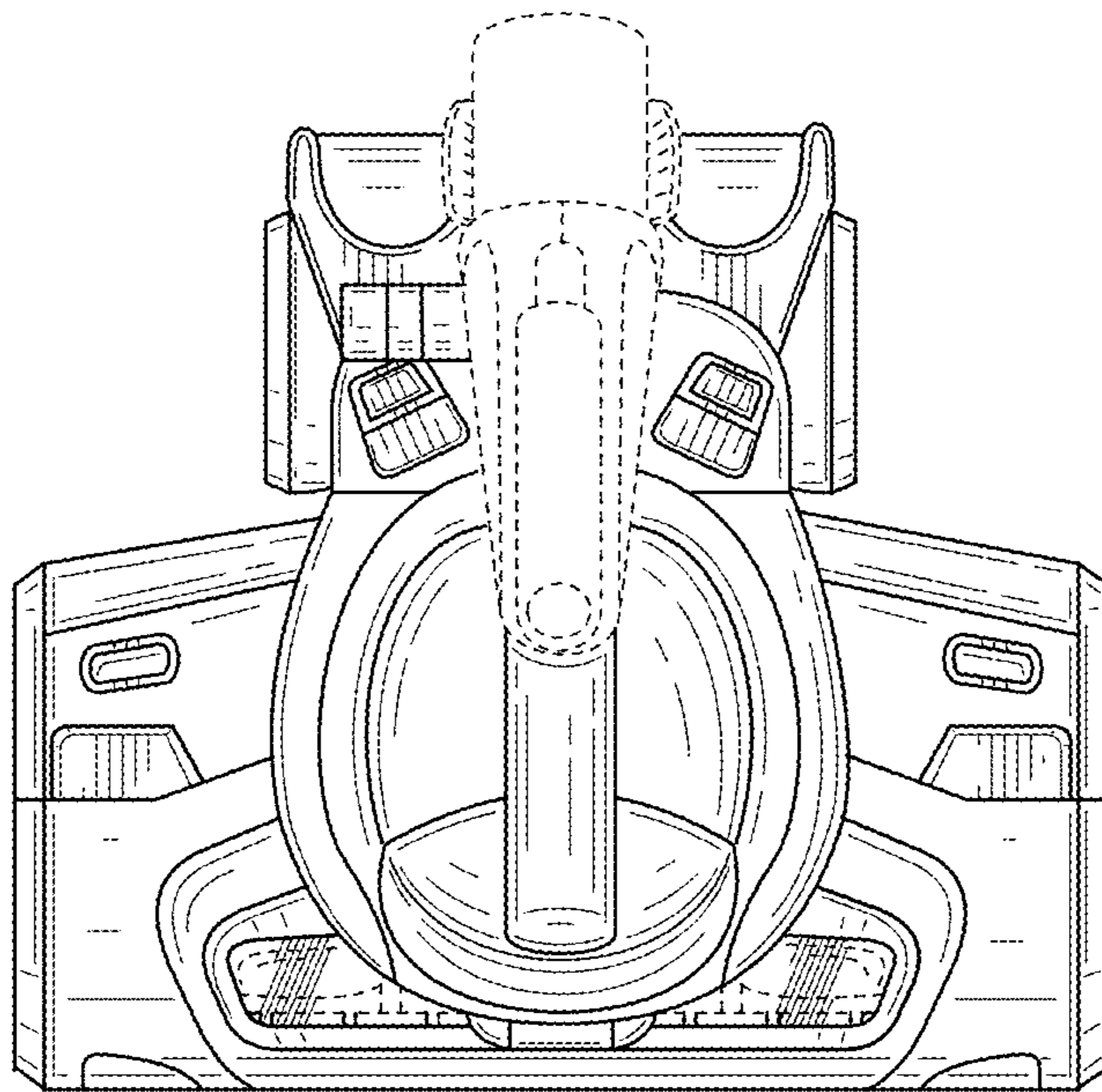
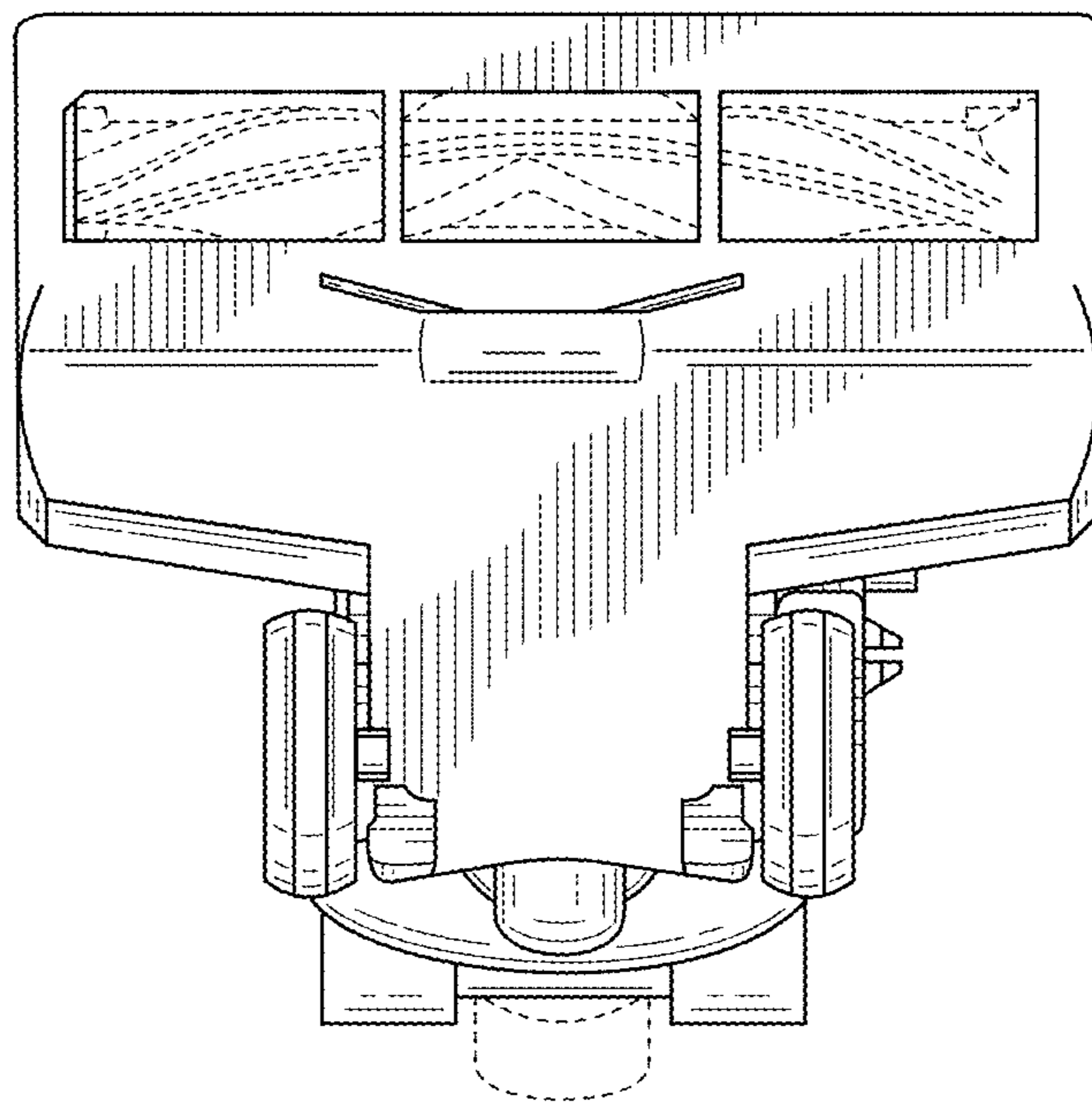


FIG. 5



**FIG. 6**



**FIG. 7**