



US00D804119S

(12) **United States Design Patent**
Cui et al.

(10) **Patent No.:** **US D804,119 S**

(45) **Date of Patent:** **** Nov. 28, 2017**

- (54) **BODY FOR VACUUM CLEANER**
- (71) Applicant: **SAMSUNG ELECTRONICS CO., LTD.**, Suwon-si (KR)
- (72) Inventors: **Chen Cui**, Shanghai (CN); **Lijun Qi**, Shanghai (CN); **Haibo Luo**, Shanghai (CN); **Jing Xie**, Shanghai (CN); **Chen Jun**, Shanghai (CN)
- (73) Assignee: **SAMSUNG ELECTRONICS CO., LTD.**, Gyeonggi-Do (KR)

D456,965 S *	5/2002	Paterson	D32/32
D495,106 S *	8/2004	Leyden	D32/32
D536,495 S *	2/2007	Porter	D32/32
D537,220 S *	2/2007	Porter	D32/32
D594,612 S *	6/2009	Umeda	D32/32
D618,873 S *	6/2010	Ayers	D32/33
D619,315 S *	7/2010	Ayers	D32/32
D621,564 S *	8/2010	Kaffenberger	D32/32
D655,468 S *	3/2012	Karsan	D32/33
D725,332 S *	3/2015	Yoshitomi	D32/33
D738,583 S *	9/2015	Gidwell	D32/25
D762,031 S *	7/2016	Niedzwecki	D32/32
D770,109 S *	10/2016	Chu, Jr.	D32/32
D779,751 S *	2/2017	Chu	D32/32

(**) Term: **15 Years**

* cited by examiner

(21) Appl. No.: **29/551,003**

Primary Examiner — Ruth McInroy

(22) Filed: **Jan. 8, 2016**

(74) *Attorney, Agent, or Firm* — Cantor Colburn LLP

(30) **Foreign Application Priority Data**

Jul. 10, 2015 (KR) 30-2015-0034808

(51) **LOC (10) Cl.** **15-05**

(52) **U.S. Cl.**
USPC **D32/31**

(58) **Field of Classification Search**
USPC D8/396; D32/31–33
CPC F16M 13/02; A24F 19/092; F16L 27/12;
A47L 9/242; A47L 9/02; A47L 5/362;
A47L 5/28; A47L 5/34; A47L 5/30; A47G
25/66; E04H 4/1654

See application file for complete search history.

(56) **References Cited**

U.S. PATENT DOCUMENTS

D352,809 S *	11/1994	Reath	D32/33
D418,267 S *	12/1999	Lin	D32/32
D440,019 S *	4/2001	Mehaffey	D32/32

(57) **CLAIM**

The ornamental design for a body for vacuum cleaner, as shown and described.

DESCRIPTION

FIG. 1 is a front perspective view of a body for vacuum cleaner, showing our new design;
FIG. 2 is a front view thereof;
FIG. 3 is a rear view thereof;
FIG. 4 is a left-side view thereof;
FIG. 5 is a right-side view thereof;
FIG. 6 is a top view thereof;
FIG. 7 is a bottom view thereof;
FIG. 8 is a rear perspective view thereof; and,
FIG. 9 is another perspective view thereof in an environment of use.

The broken lines illustrating portions of the vacuum cleaner form no part of the claimed design.

1 Claim, 6 Drawing Sheets

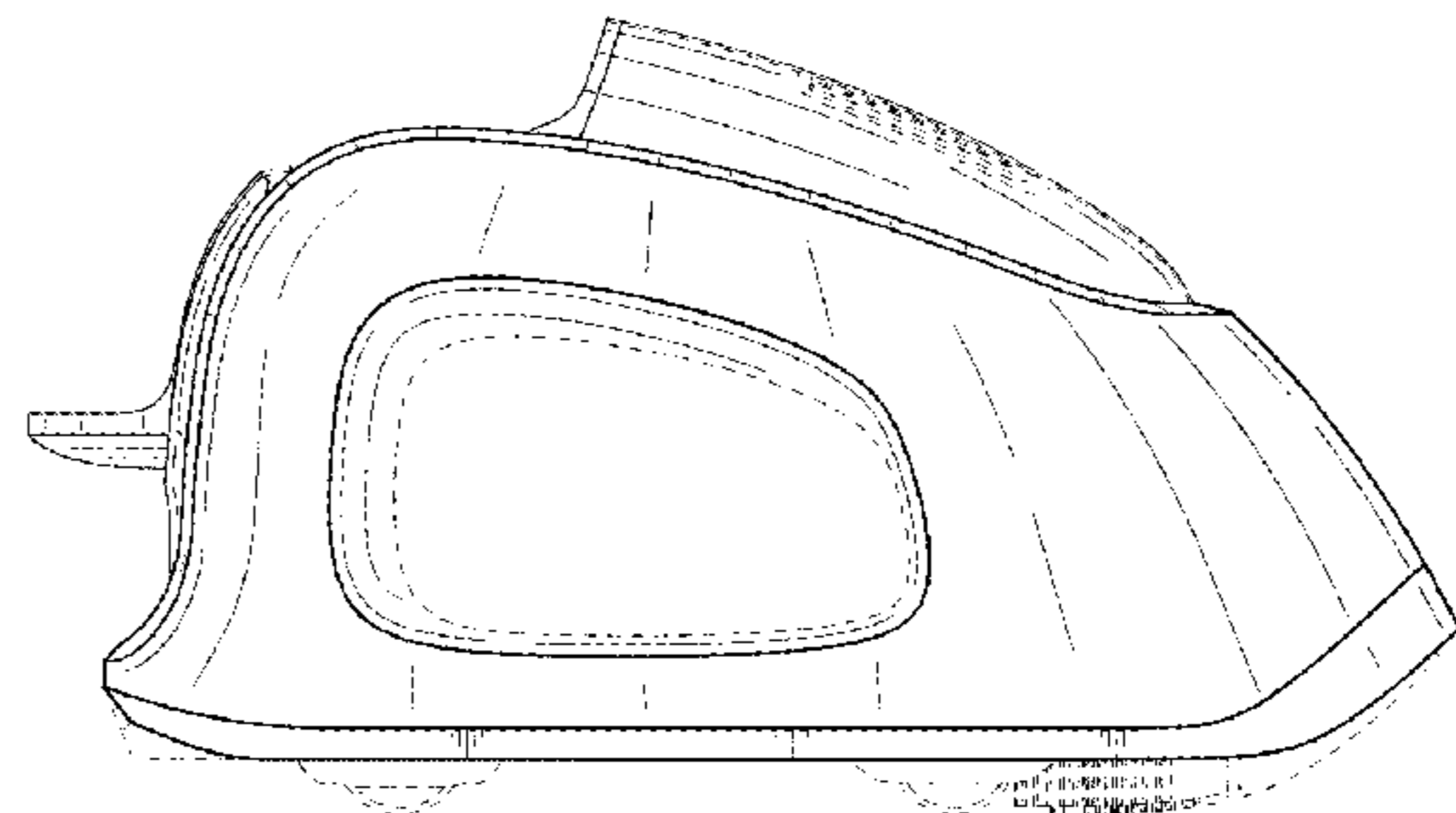
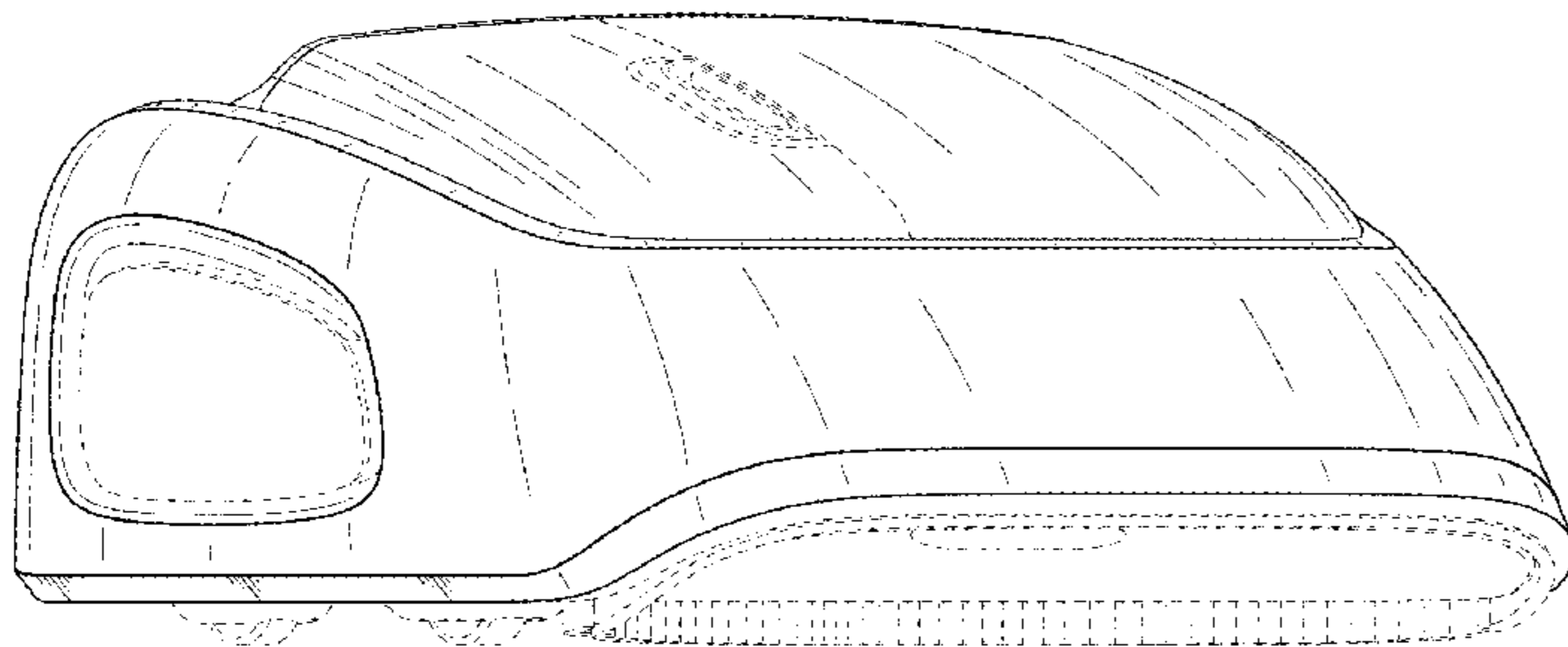


FIG.1

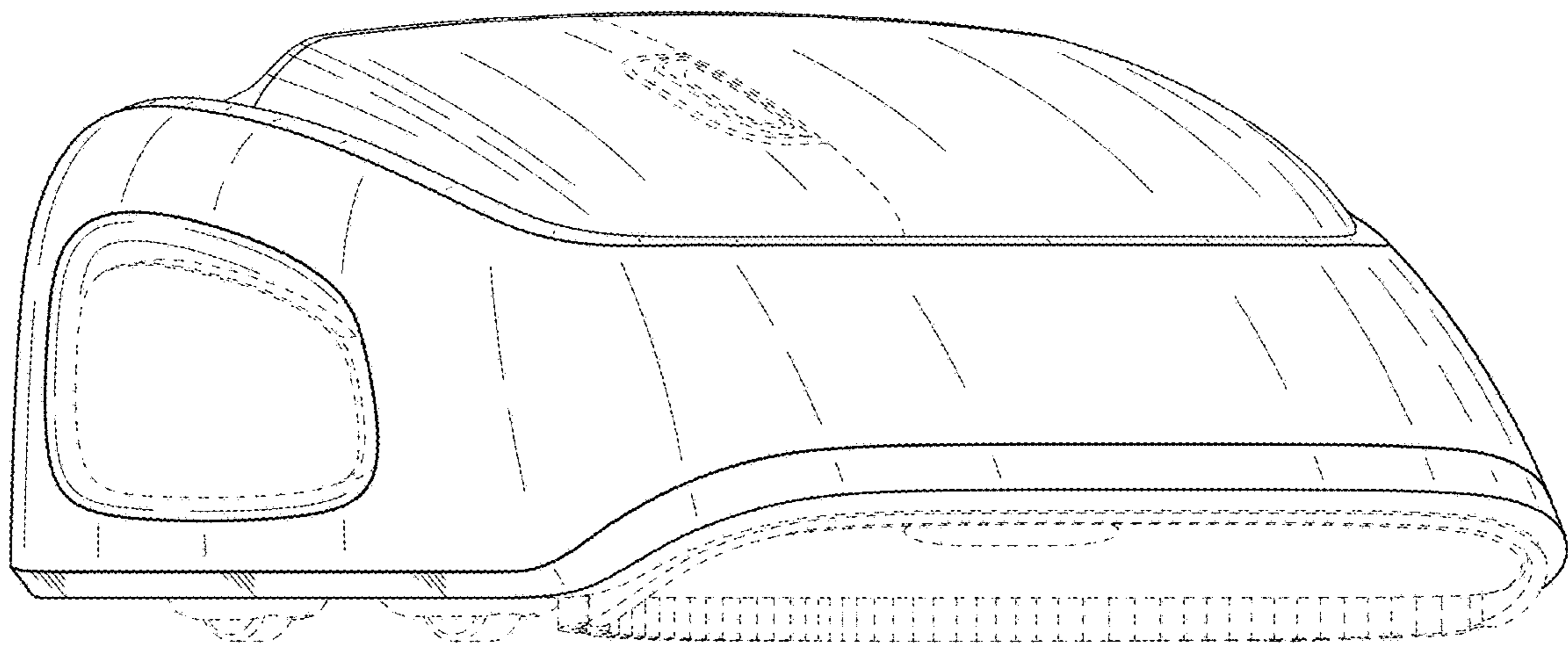


FIG.2

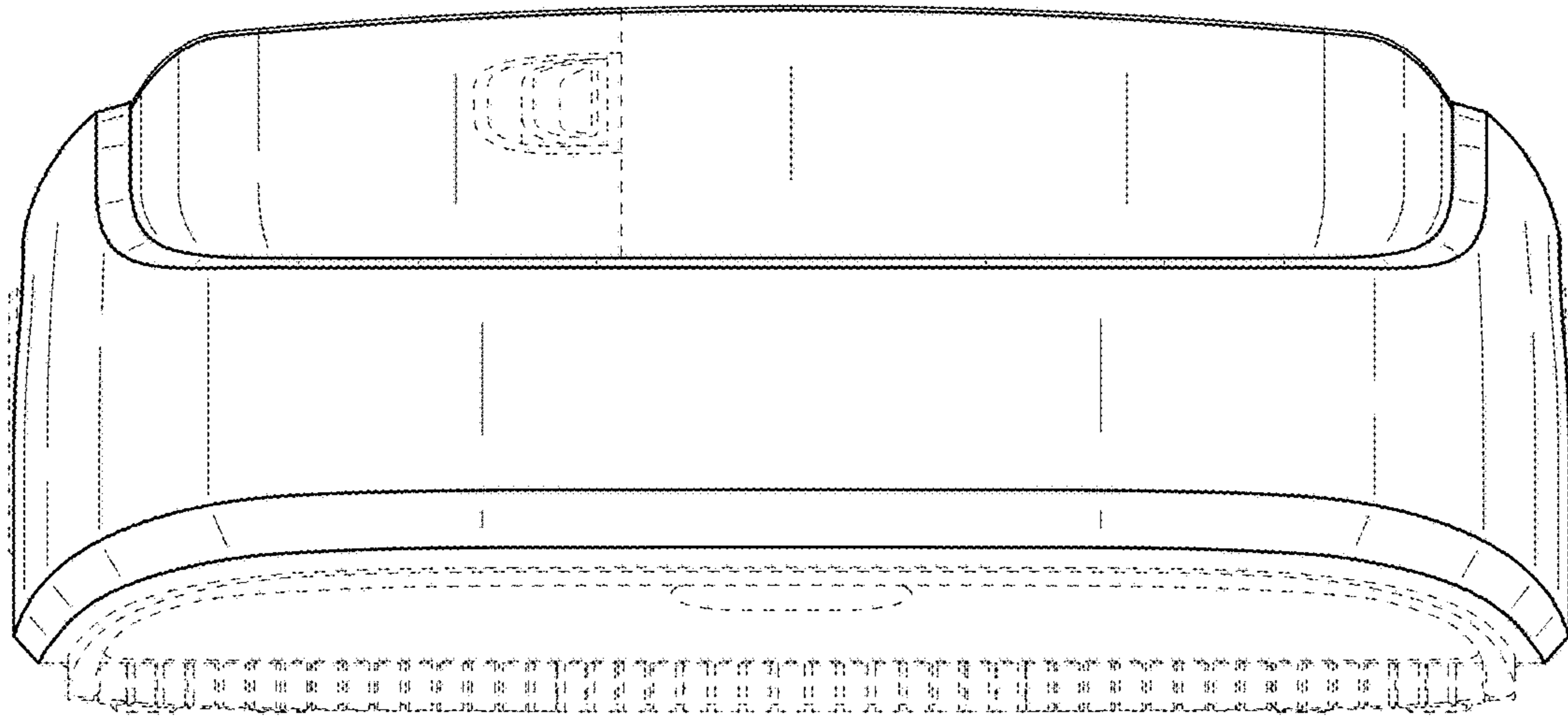


FIG.3

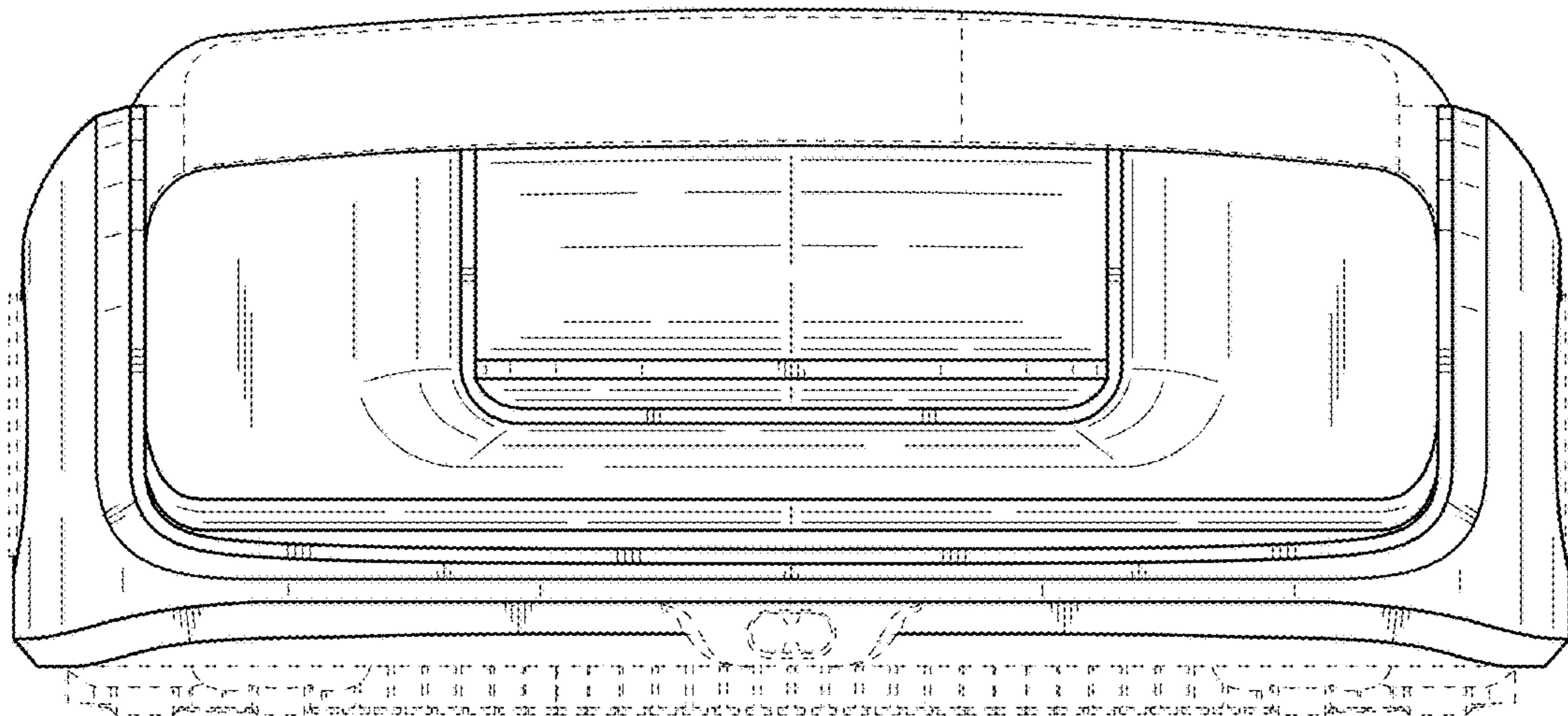


FIG.4

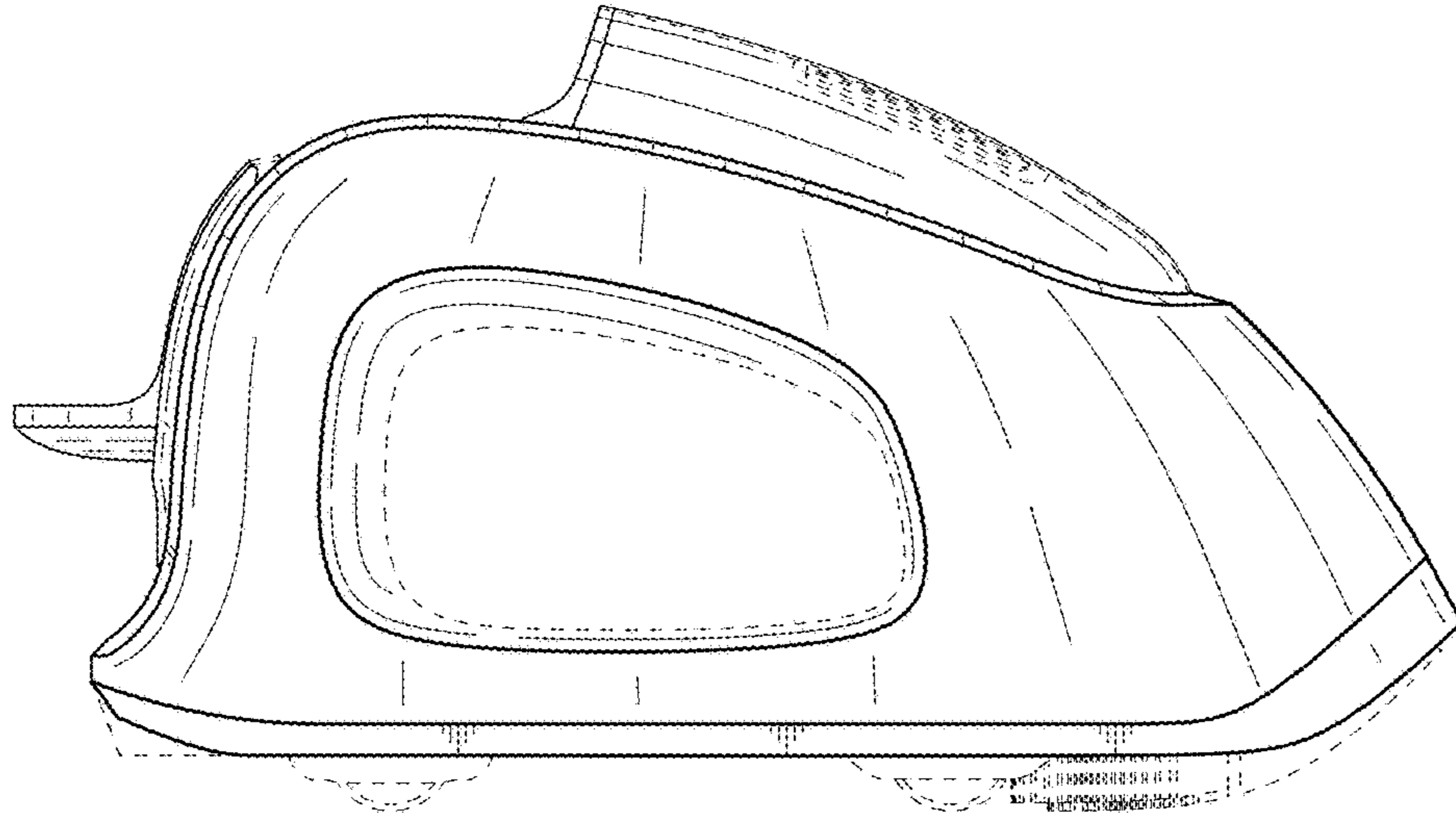


FIG.5

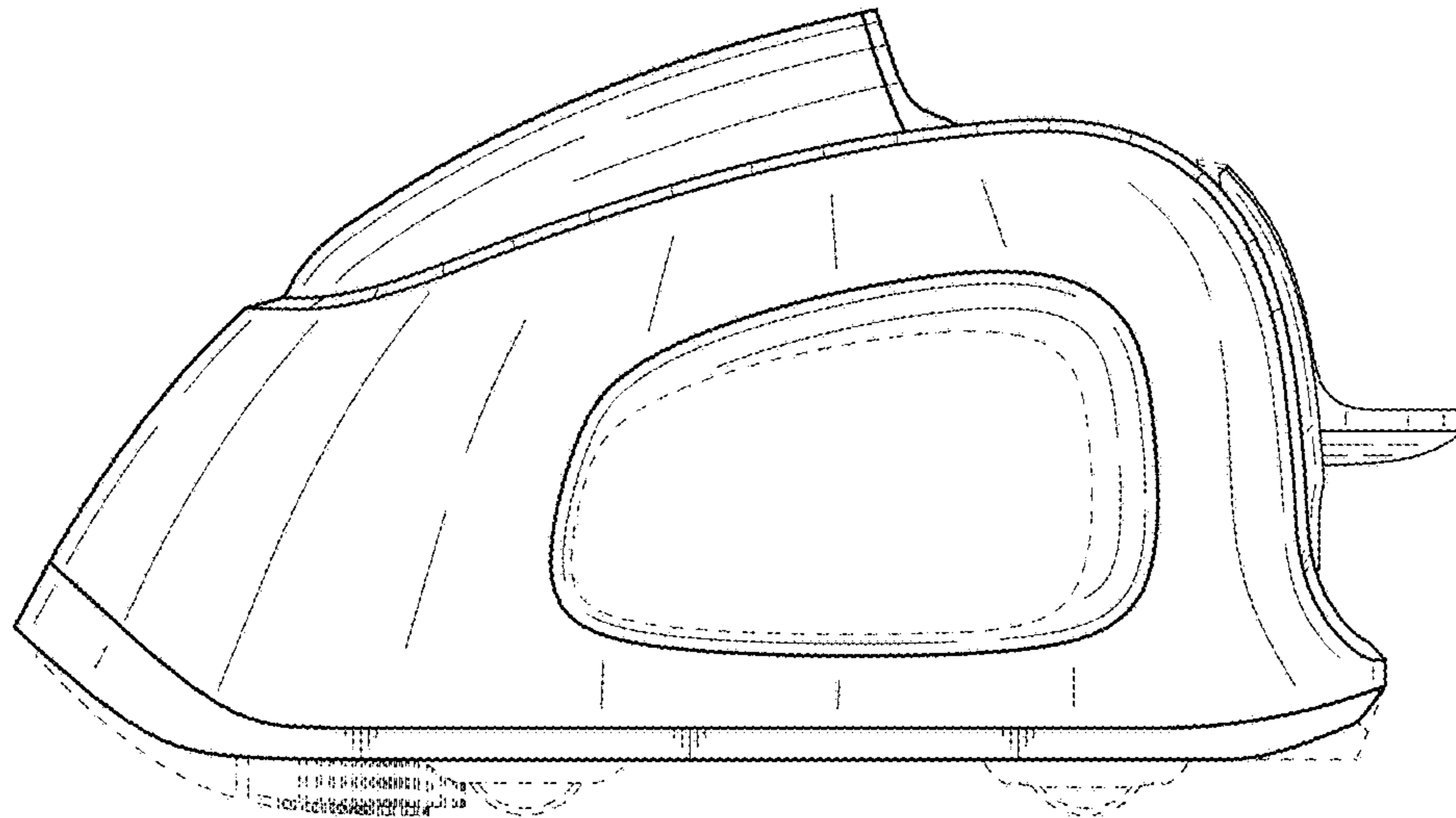


FIG.6

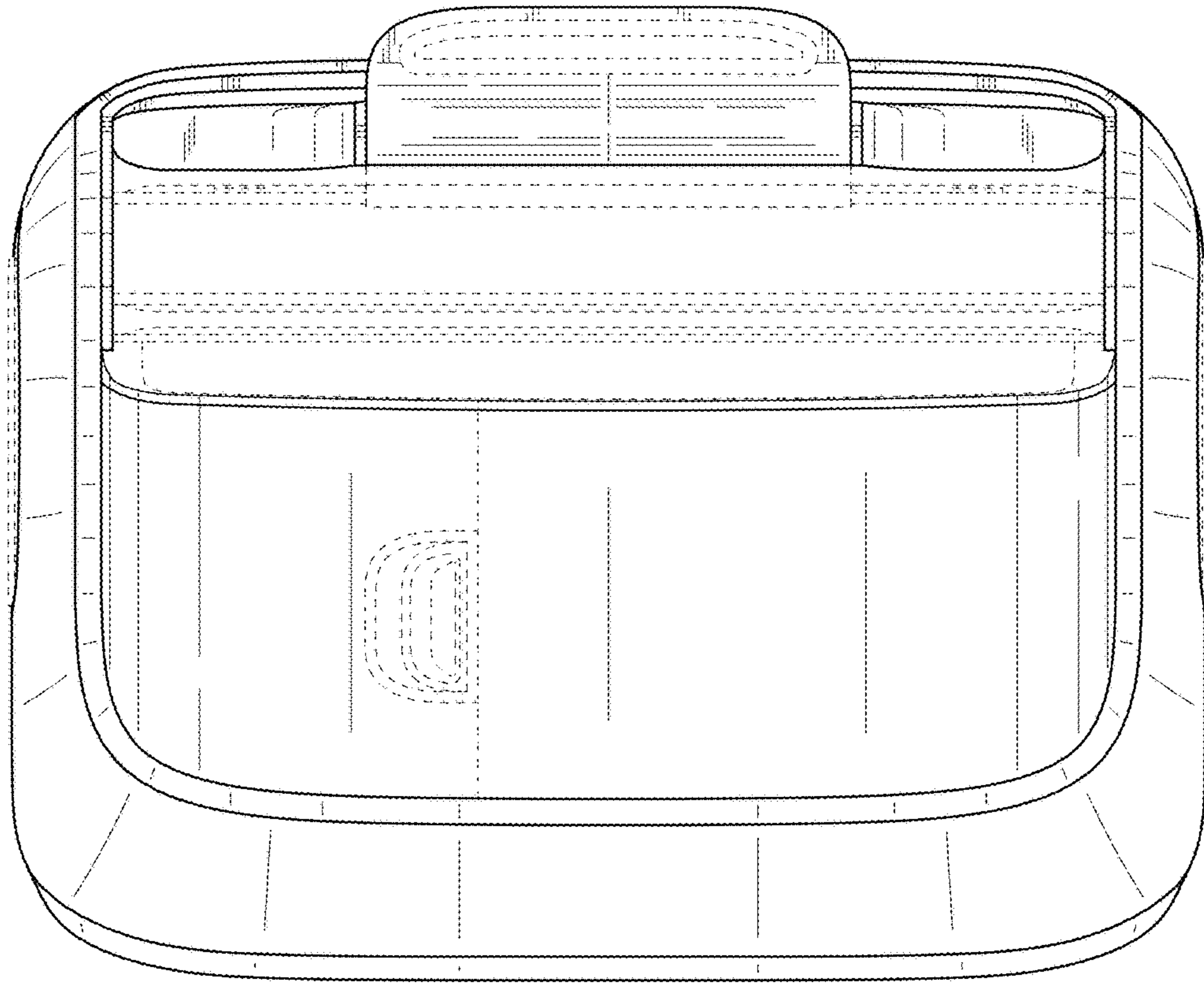


FIG.7

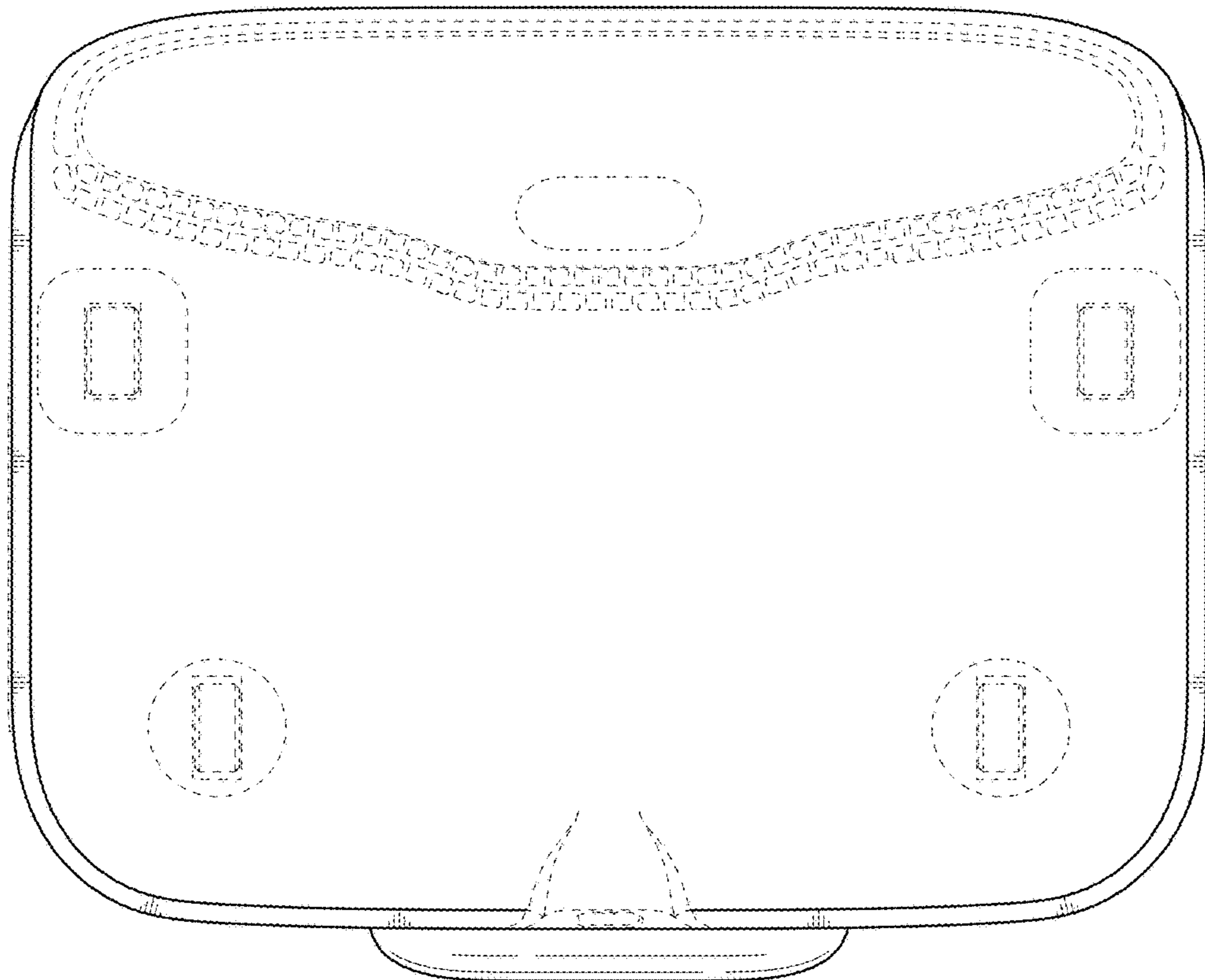


FIG.8

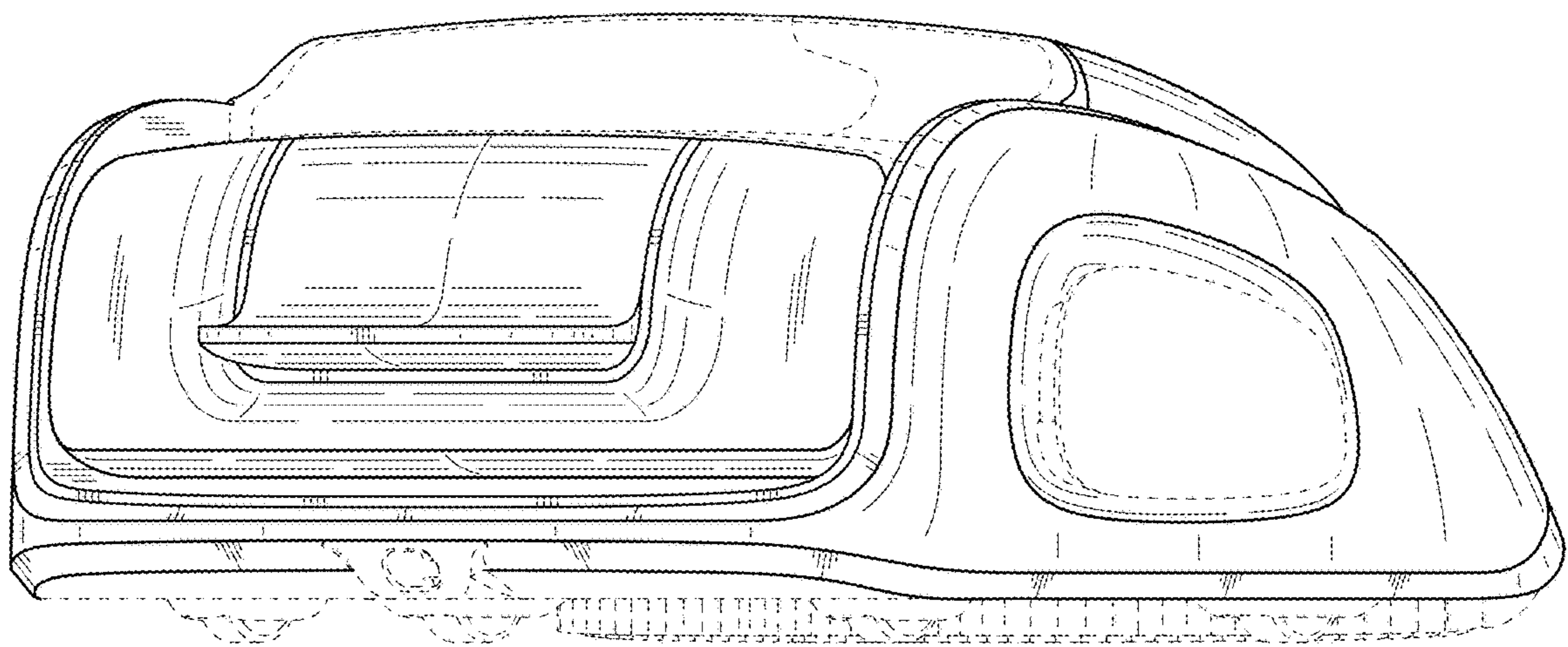


FIG.9

