



US00D804118S

(12) **United States Design Patent**
Kim et al.

(10) **Patent No.:** **US D804,118 S**

(45) **Date of Patent:** **** Nov. 28, 2017**

(54) **AUXILIARY DEVICE FOR WASHING MACHINE**

(71) Applicant: **Samsung Electronics Co., Ltd.**,
Suwon-si, Gyeonggi-do (KR)

(72) Inventors: **Jinnam Kim**, Seoul (KR); **Jiyeun Yoon**, Seoul (KR); **Dongwon Chun**, Seoul (KR)

(73) Assignee: **SAMSUNG ELECTRONICS CO., LTD.**, Gyeonggi-Do (KR)

(**) Term: **15 Years**

(21) Appl. No.: **29/553,746**

(22) Filed: **Feb. 4, 2016**

(30) **Foreign Application Priority Data**

Aug. 4, 2015 (KR) 30-2015-0039095

(51) **LOC (10) Cl.** **15-05**

(52) **U.S. Cl.**
USPC **D32/25**

(58) **Field of Classification Search**

USPC D32/29.1, 29, 28, 6, 25, 8, 1, 5, 10;
D6/663, 705; D7/348-349

CPC D06F 39/045; D06F 29/00; D06F 29/005;
D06F 25/00; D06F 39/022; D06F 33/02;
D06F 2204/065; D06F 35/006; A47L
15/4418

See application file for complete search history.

(56) **References Cited**

U.S. PATENT DOCUMENTS

D326,381 S * 5/1992 Heiligenthal D6/705
D371,014 S * 6/1996 Smith D32/25
D380,883 S * 7/1997 Katz D32/25
D521,702 S * 5/2006 No D32/25
D549,408 S * 8/2007 Lee D32/25
D569,065 S * 5/2008 Ritterling D32/25

D617,965 S * 6/2010 Grutzke D32/25
D620,211 S * 7/2010 Shail D32/25
D629,168 S * 12/2010 Park D32/25
D633,670 S * 3/2011 Grutzke D32/25
D645,623 S * 9/2011 Helot D32/25
D665,544 S * 8/2012 Jeon D32/6
D667,179 S * 9/2012 Jeon D32/6

(Continued)

Primary Examiner — Michael A. Pratt

Assistant Examiner — Michelle E Wilson

(74) *Attorney, Agent, or Firm* — Cantor Colburn LLP

(57) **CLAIM**

The ornamental design for an auxiliary device for washing machine, as shown and described.

DESCRIPTION

FIG. 1 is a front perspective view of an auxiliary device for washing machine, showing our new design;

FIG. 2 is a front view thereof;

FIG. 3 is a rear view thereof;

FIG. 4 is a left-side view thereof;

FIG. 5 is a right-side view thereof;

FIG. 6 is a top view thereof;

FIG. 7 is a bottom view thereof;

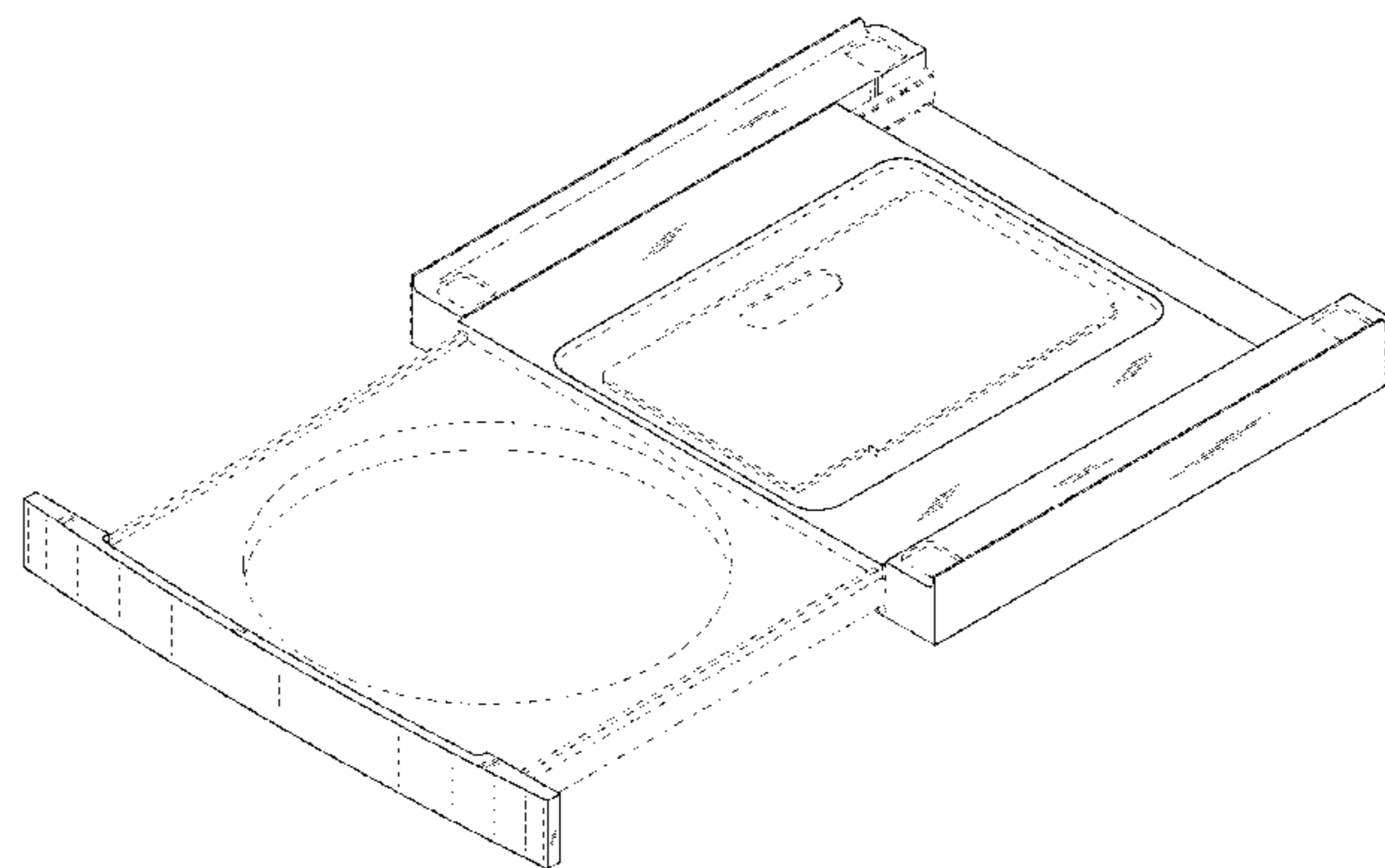
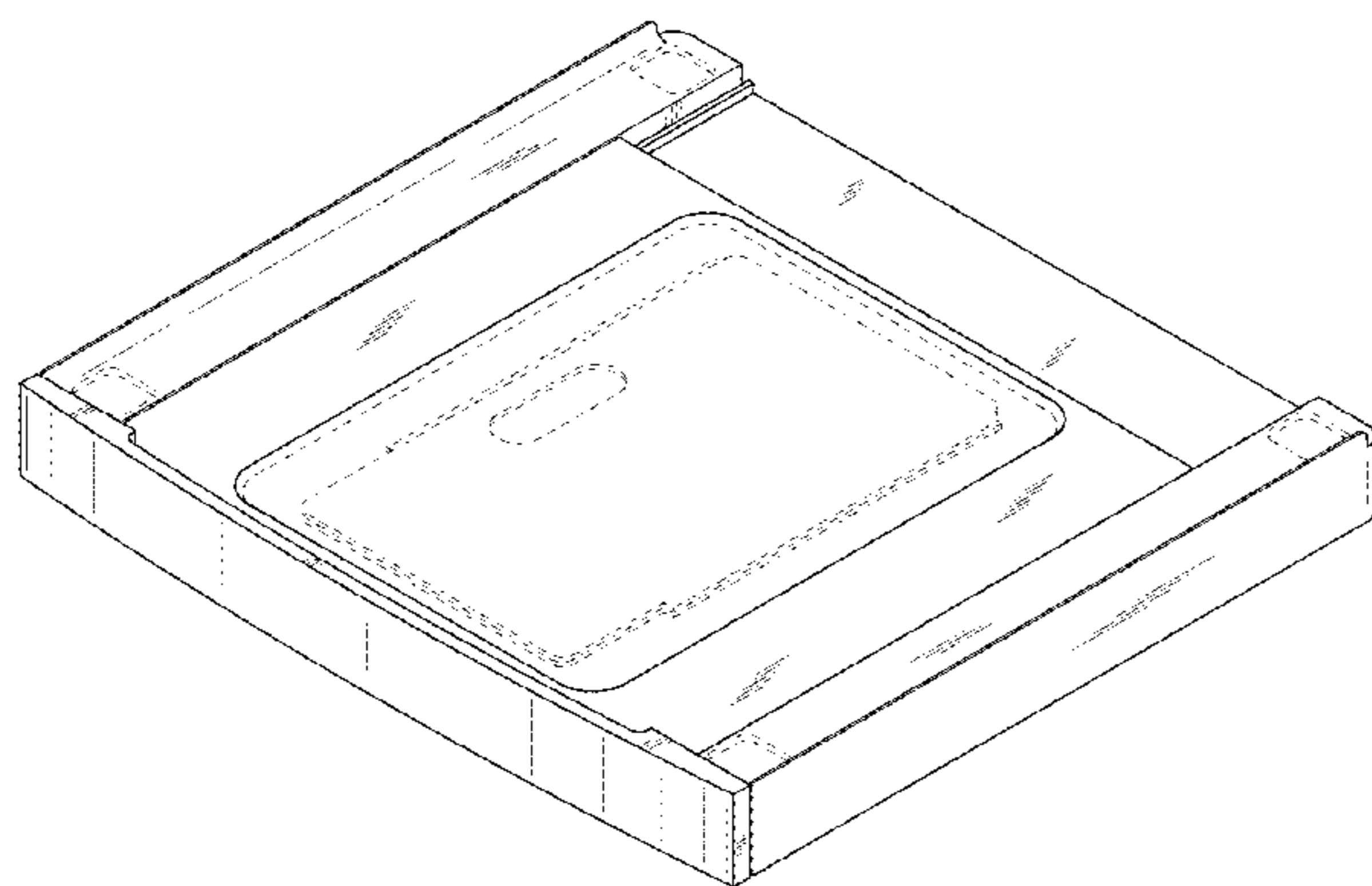
FIG. 8 is a perspective reference view thereof, in which two components of the auxiliary device for washing machine are in a slid out position from the auxiliary device for washing machine;

FIG. 9 is another perspective reference view thereof, in which one component of the auxiliary device for washing machine is in a slid out position from the auxiliary device for washing machine; and,

FIG. 10 is a front reference view thereof, in which the auxiliary device for washing machine is applied to a washing machine.

The broken lines illustrating portions of the auxiliary device for washing machine and portions of the article form no part of the claimed design.

1 Claim, 7 Drawing Sheets



(56)

References Cited

U.S. PATENT DOCUMENTS

D670,111 S *	11/2012	McNamara	D6/705
D704,909 S *	5/2014	Jeon	D32/25
D708,875 S *	7/2014	McNamara	D6/705
D767,837 S *	9/2016	Chee	D32/25
D773,132 S *	11/2016	Ha	D32/25
D773,133 S *	11/2016	Ha	D32/25
D784,637 S *	4/2017	Kim	D32/25
2004/0263032 A1 *	12/2004	Cho	A47B 67/04 312/330.1
2011/0030428 A1 *	2/2011	Han	D06F 29/00 68/5 R

* cited by examiner

FIG.1

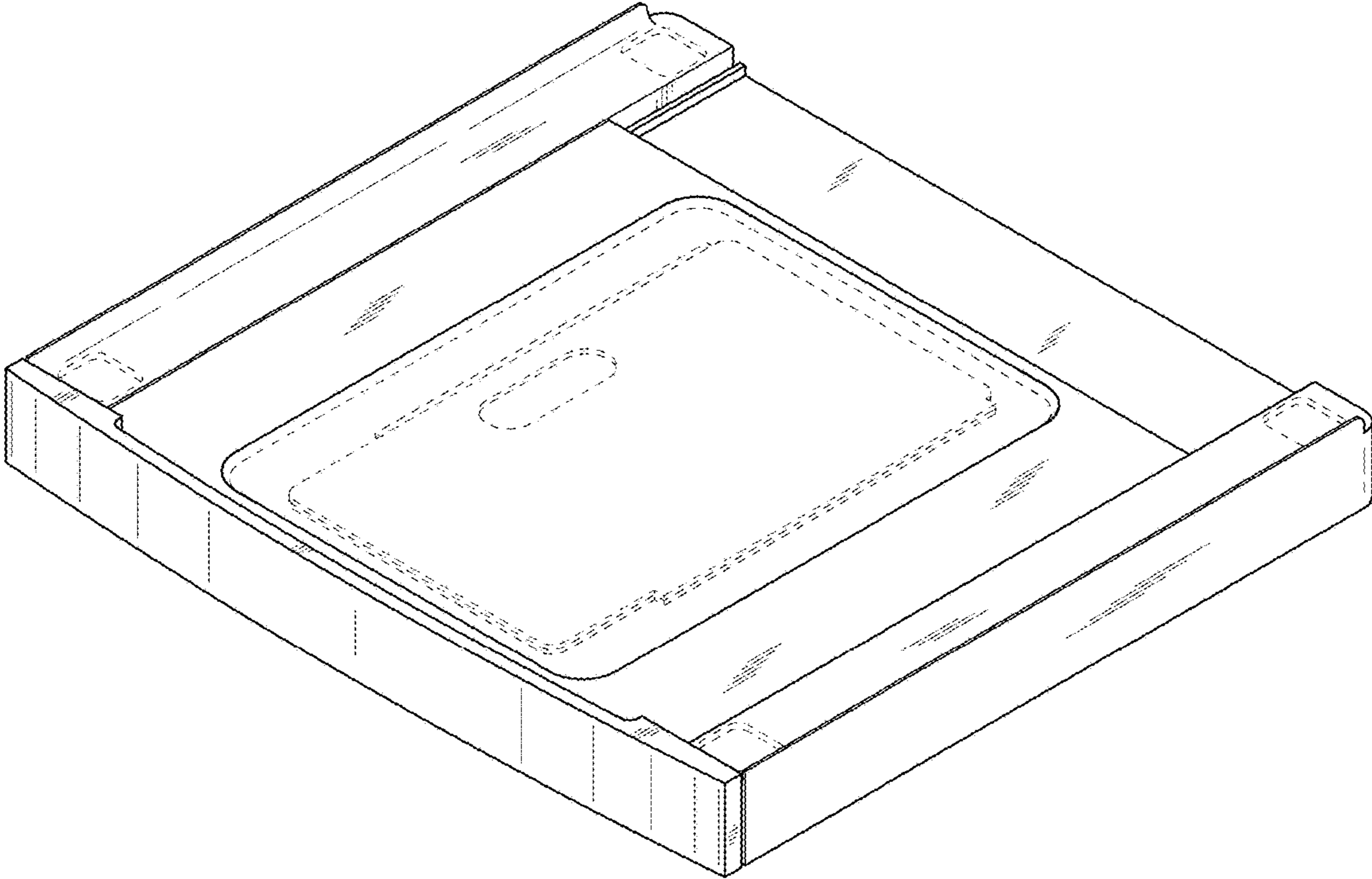


FIG.2

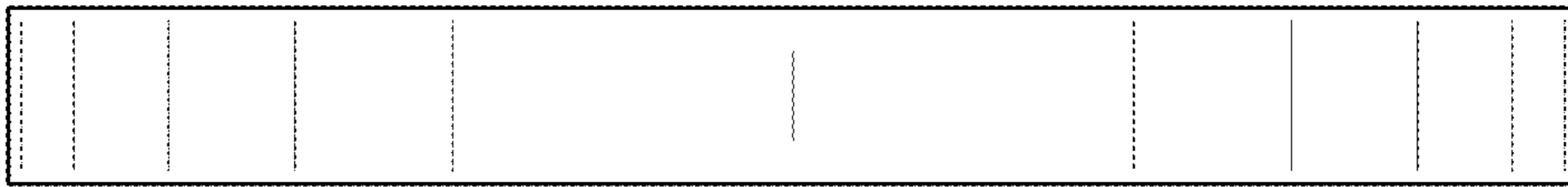


FIG.3

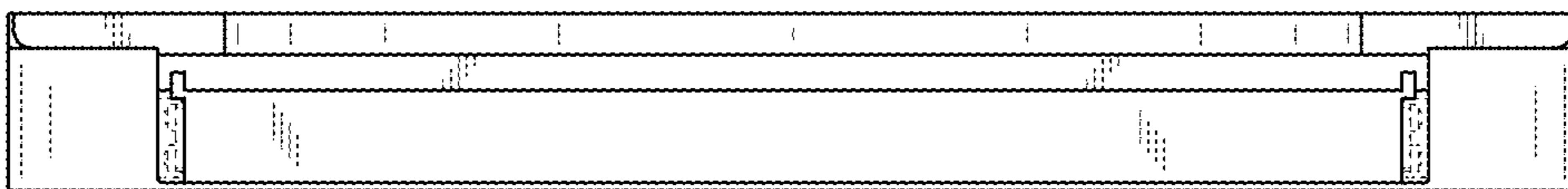


FIG.4

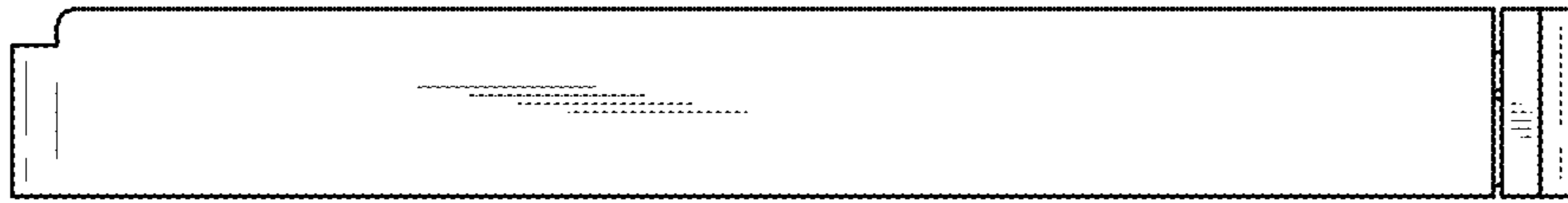


FIG.5

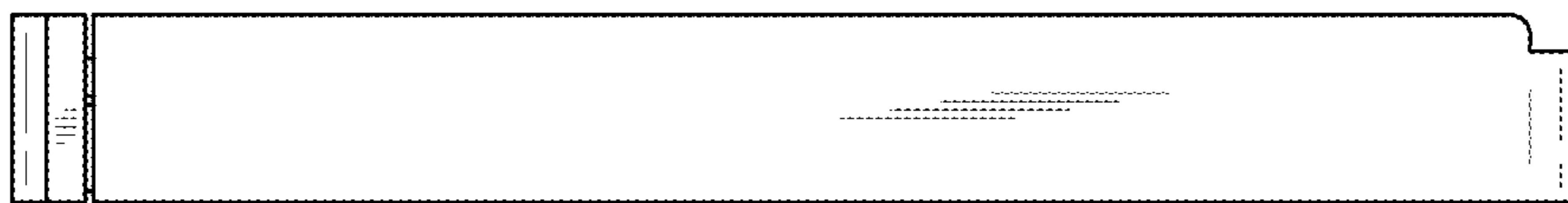


FIG.6

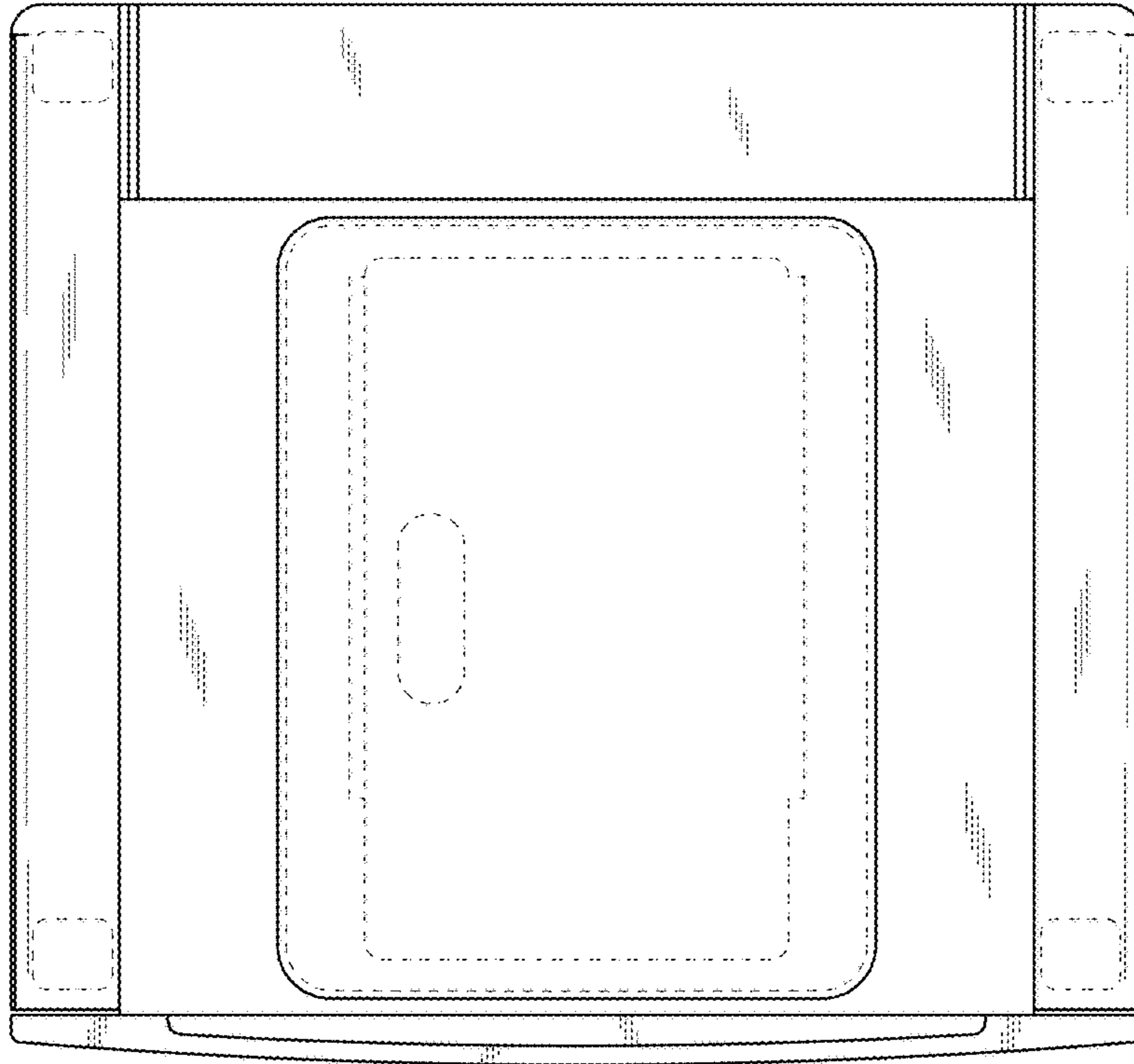


FIG.7

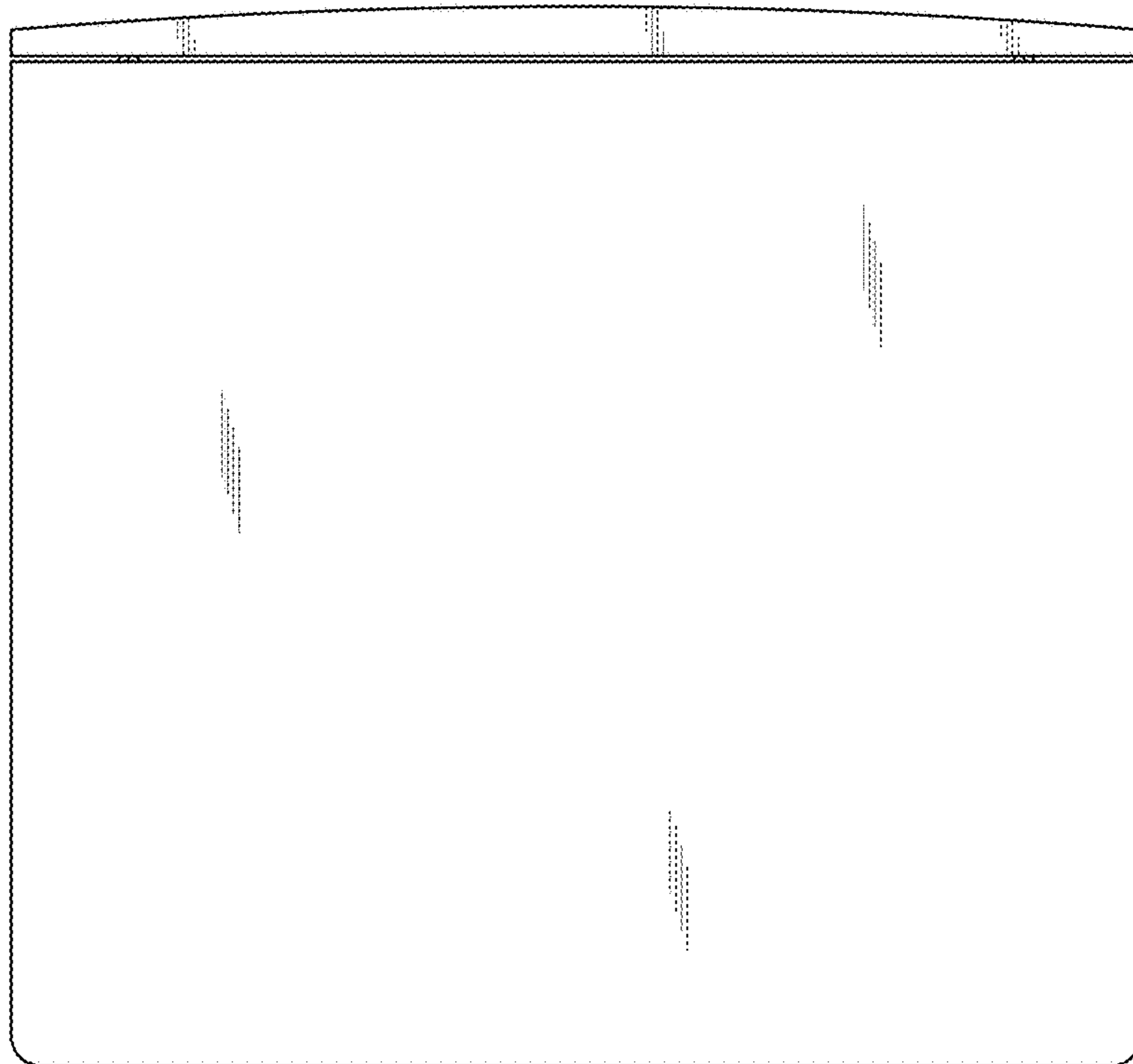


FIG.8

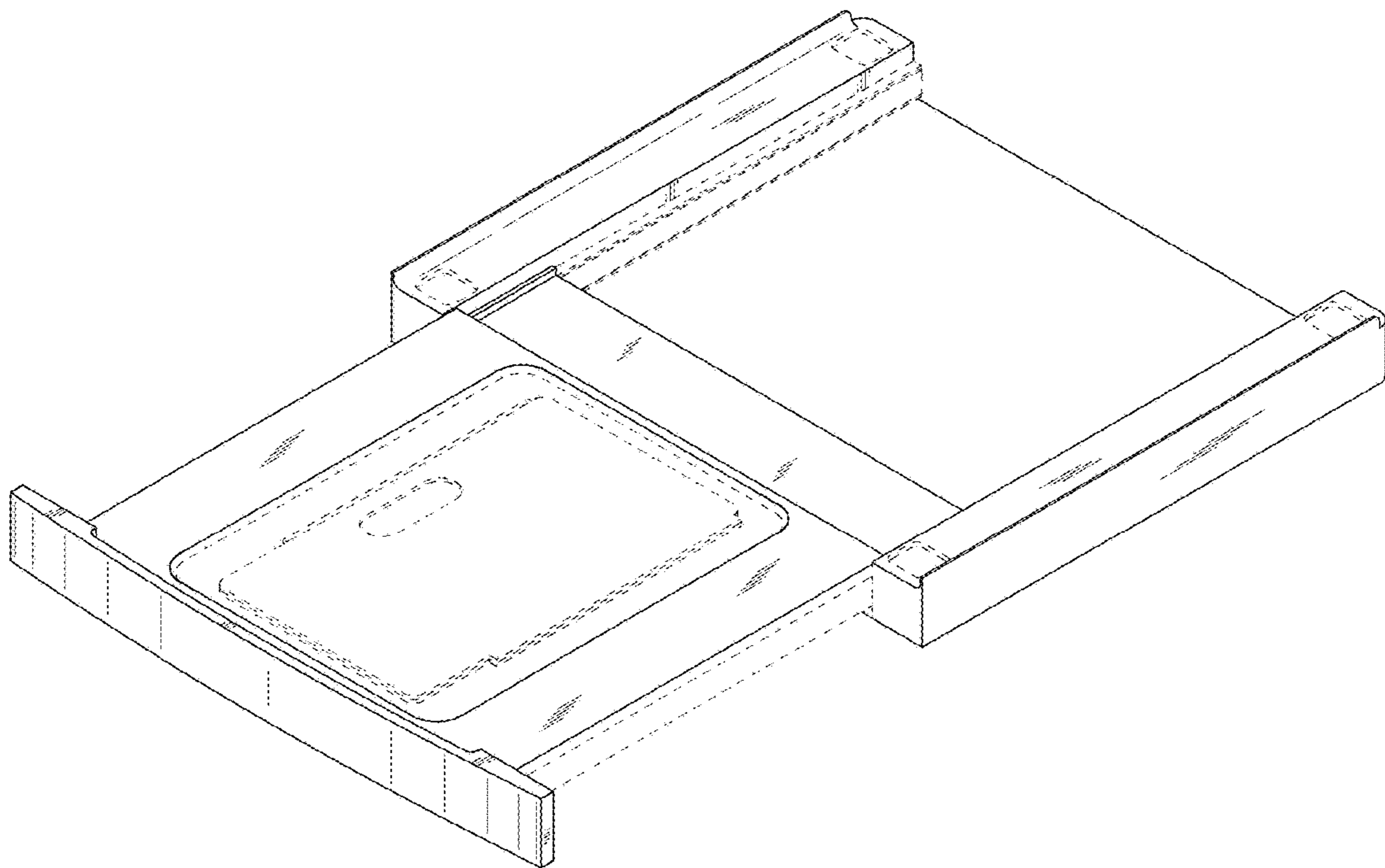


FIG.9

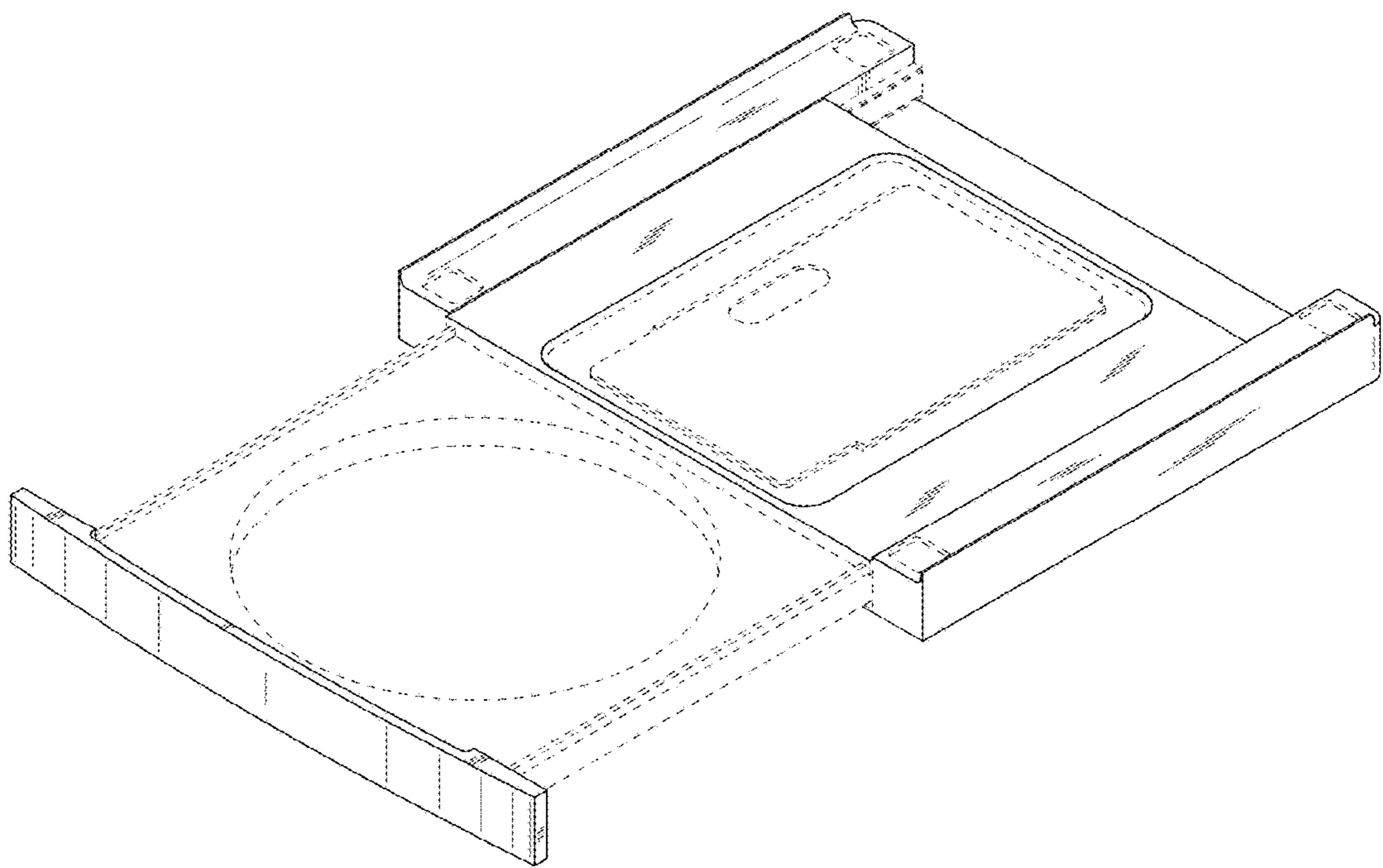


FIG.10

