



US00D804112S

(12) **United States Design Patent**
Newby et al.

(10) **Patent No.:** **US D804,112 S**
(45) **Date of Patent:** **** Nov. 28, 2017**

(54) **MOBILITY AID FOR QUADRUPEDS**
(71) Applicant: **Sylvan, Inc.**, N. Myrtle Beach, SC (US)
(72) Inventors: **Sylvan Newby**, N. Myrtle Beach, SC (US); **Dean Pullen**, Henderson, IA (US)
(**) Term: **15 Years**
(21) Appl. No.: **29/544,164**
(22) Filed: **Oct. 30, 2015**
(51) **LOC (10) Cl.** **30-99**
(52) **U.S. Cl.**
USPC **D30/199**
(58) **Field of Classification Search**
USPC D30/144, 151, 152, 160, 199;
119/722-729, 792, 751, 516, 738;
5/83.1; 452/53-56; 601/27, 35; 602/19;
280/62, 63, 65, 43, 47.131, 657, 290;
168/48.1; 403/119; D6/344, 347;
472/119, 120-125
CPC A61D 3/00; A61D 2003/006; A61D
2003/003; A01K 15/04; A01K 15/027;
A01K 15/02; A61H 3/04; A61H
2003/043; A61H 2003/046; A61H
2203/03; A63G 9/00; A47D 13/10; A47D
13/105; A47D 13/107
See application file for complete search history.

(56) **References Cited**
U.S. PATENT DOCUMENTS
1,640,862 A * 8/1927 Tierney A47D 13/105
472/123
2,126,387 A * 8/1938 Hinds A01D 87/08
298/20 R
2,546,726 A * 3/1951 Creamer, Jr. A01K 13/00
119/727
2,827,950 A * 3/1958 Kent A63G 9/16
472/124

2,901,012 A * 8/1959 Crispin B23Q 11/0003
269/218
2,909,153 A * 10/1959 McKinley A01K 15/00
119/728
2,976,840 A * 3/1961 Hugus A61D 9/00
119/727
3,215,117 A * 11/1965 Short A01K 13/00
119/727
3,241,851 A * 3/1966 Dingbaum A61D 9/00
119/727
3,406,661 A * 10/1968 Parkes A61D 9/00
119/727
3,621,819 A * 11/1971 Hooper A61D 3/00
119/727
3,804,407 A * 4/1974 Saint A63G 9/16
185/45

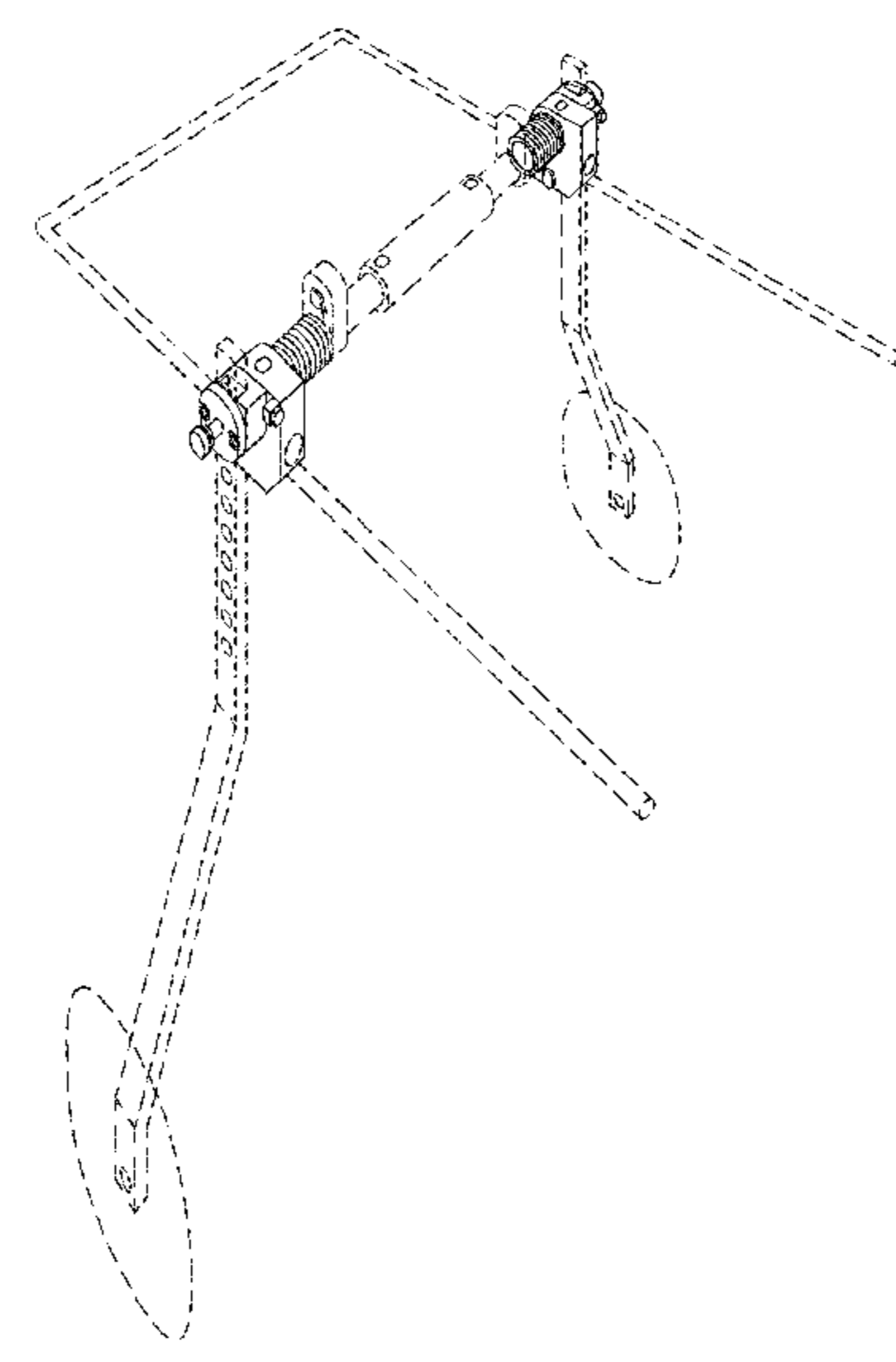
(Continued)

Primary Examiner — Susan Moon Lee
(74) *Attorney, Agent, or Firm* — Law Office of Ilya Libenzon

(57) **CLAIM**
What is claimed is the ornamental design for a mobility aid for quadrupeds, as shown and described.

DESCRIPTION
FIG. 1 is a perspective view of the mobility aid for quadrupeds according to the present invention;
FIG. 2 is an enlarged close-up perspective view of the mobility aid for quadrupeds;
FIG. 3 is a front view of the mobility aid for quadrupeds;
FIG. 4 is a rear view thereof;
FIG. 5 is a side view thereof;
FIG. 6 is an opposite side view thereof;
FIG. 7 is a top view thereof; and,
FIG. 8 is a bottom view thereof.
The broken lines throughout the drawings depict exemplary elements of the mobility aid for quadrupeds that are shown for illustrative purposes only and that form no part of the claimed design.

1 Claim, 8 Drawing Sheets



(56)

References Cited

U.S. PATENT DOCUMENTS

4,150,820 A *	4/1979	Bochmann	A47D 13/105	472/119				
4,318,365 A *	3/1982	Eriksson	A61D 3/00	119/728				
4,375,203 A *	3/1983	Parkes	A61D 9/00	119/727				
4,777,910 A *	10/1988	Pecor	A01K 15/027	119/702				
4,911,429 A *	3/1990	Ogbu	A47D 13/105	297/273				
5,224,444 A *	7/1993	Hill	A61H 3/04	119/727				
5,778,827 A *	7/1998	Hansen	A61D 3/00	119/728				
6,254,490 B1 *	7/2001	Lawson	A63G 9/16	297/273				
6,343,994 B1 *	2/2002	Clarke	A47D 13/105	297/273				
6,820,572 B1 *	11/2004	Parkes	A01K 15/00	119/727				
D583,518 S *	12/2008	Thorner	D30/151					
7,549,398 B2 *	6/2009	Robinson	A61D 3/00	119/727				
D612,110 S *	3/2010	Kerns	D30/151					
D627,936 S *	11/2010	Ye	D30/199					
2006/0174843 A1 *	8/2006	Poyner	A01K 15/027	119/712				
2008/0231006 A1 *	9/2008	Van Eeden	A61G 5/043	280/7.15				
2012/0160185 A1 *	6/2012	De La Celle	A61D 9/00	119/727				
2013/0104813 A1 *	5/2013	Shalom	A61H 3/04	119/727				
2014/0073443 A1 *	3/2014	Chen	A63G 9/16	472/119				
2016/0037749 A1 *	2/2016	Gandola	A01K 11/006	600/301				
2016/0242392 A1 *	8/2016	Holzworth	A61H 3/008					
2017/0027676 A1 *	2/2017	Newby	A61D 3/00					

* cited by examiner

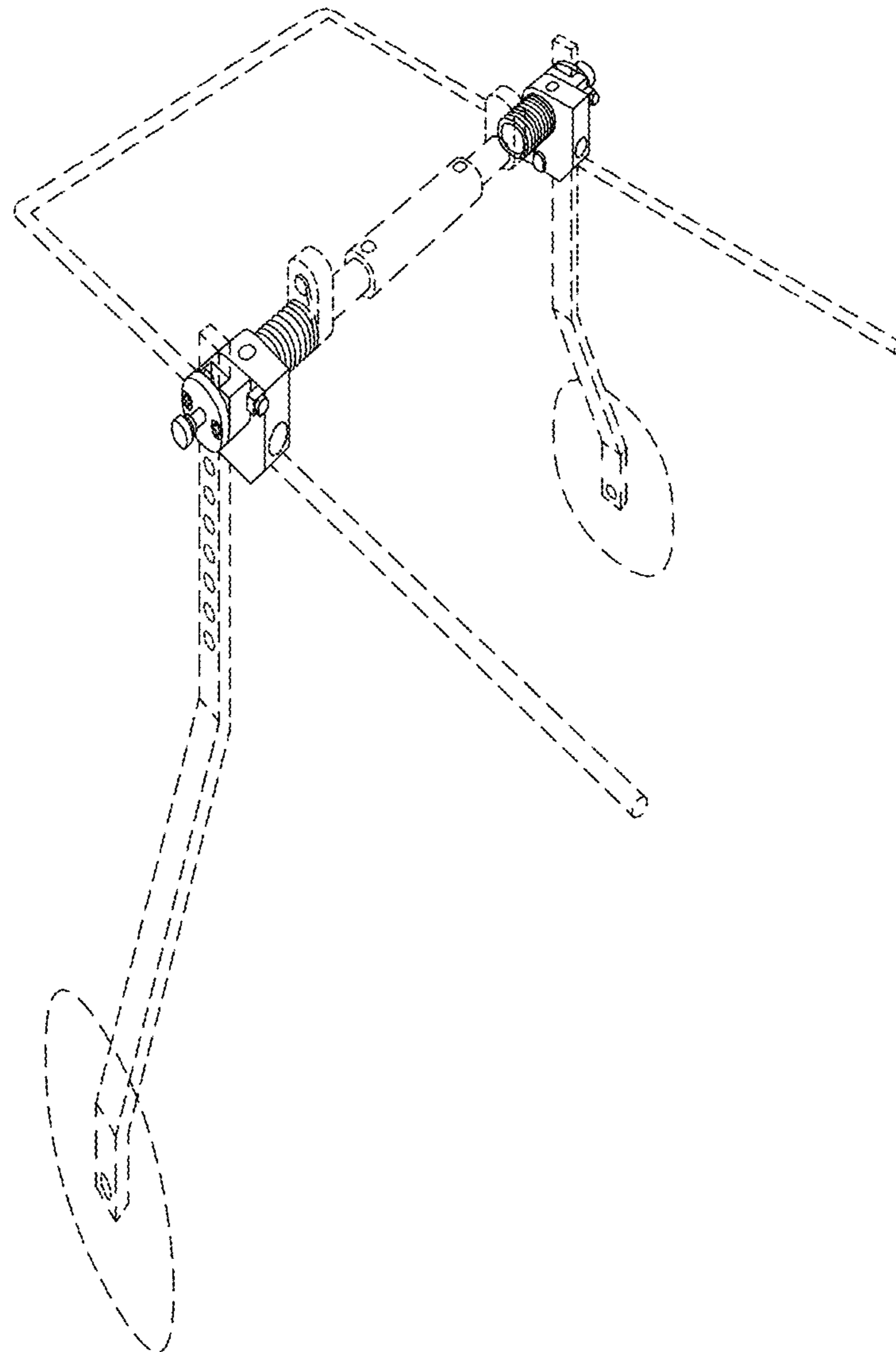


FIG. 1

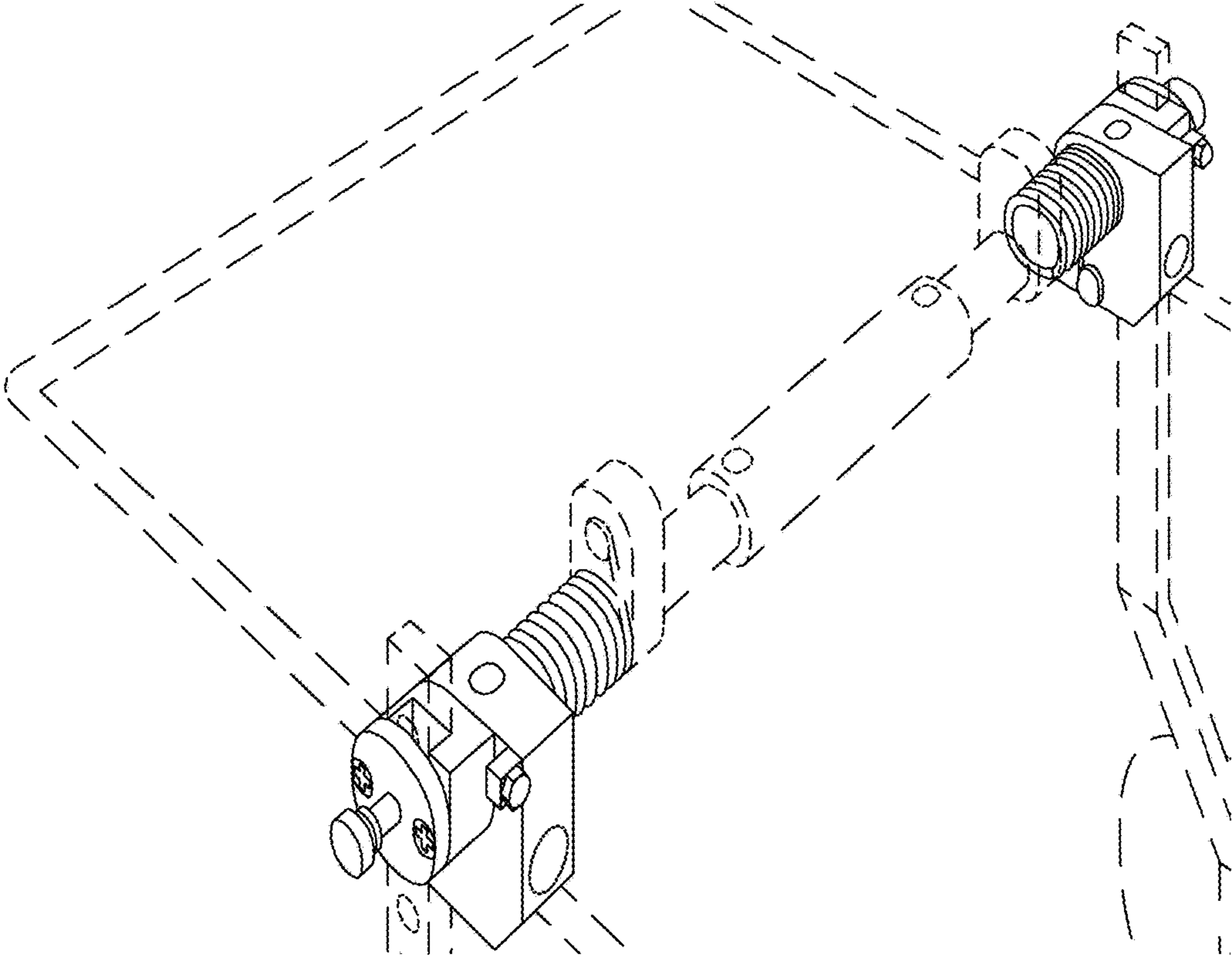


FIG. 2

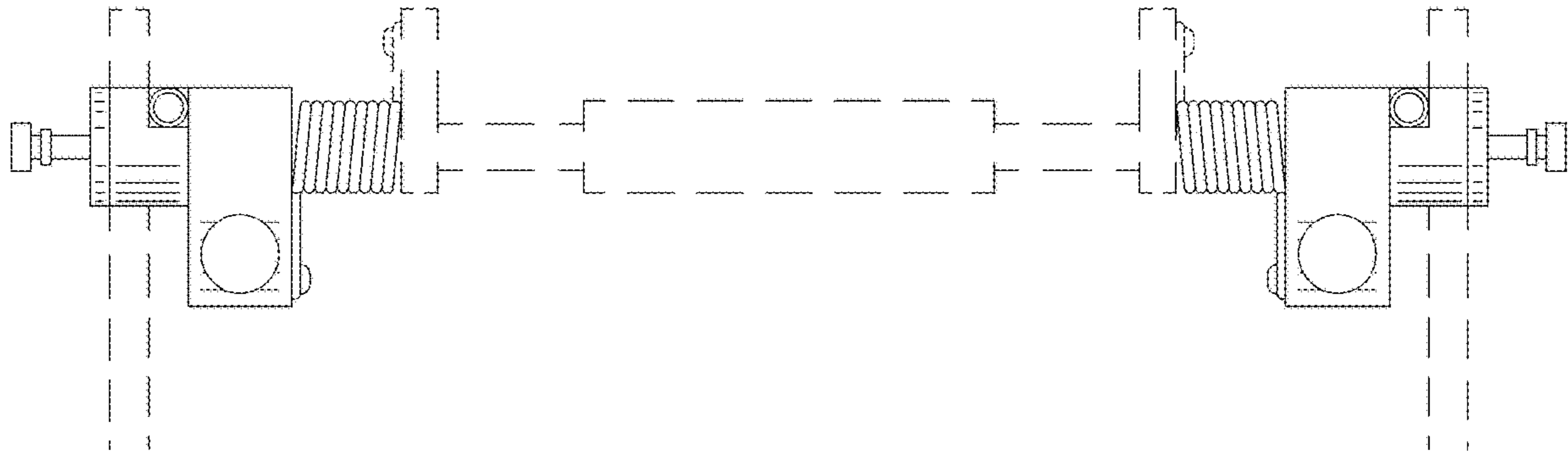


FIG. 3

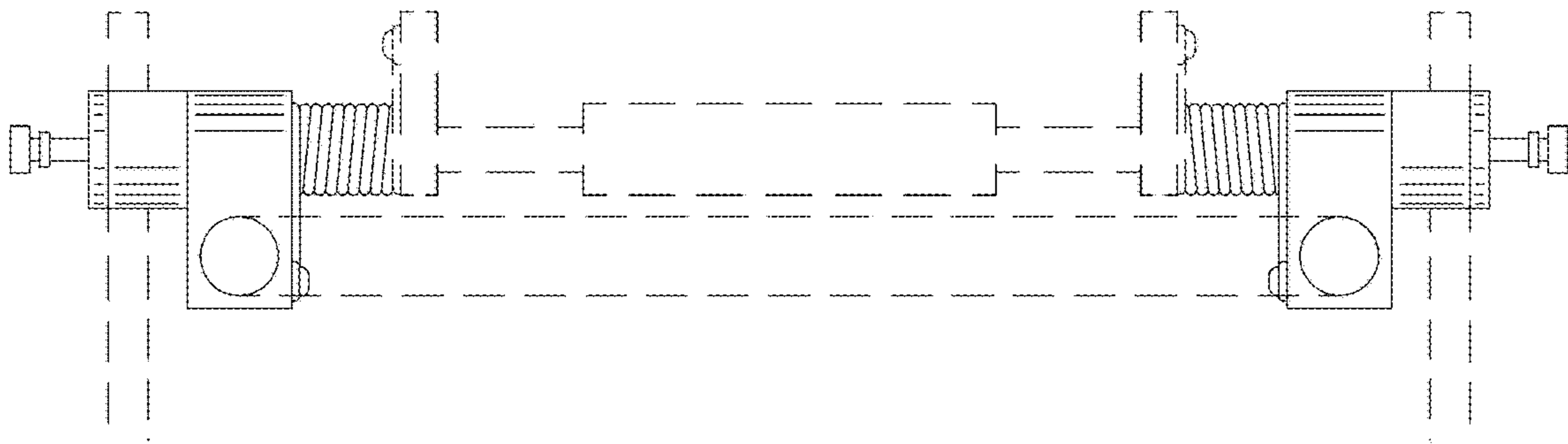


FIG. 4

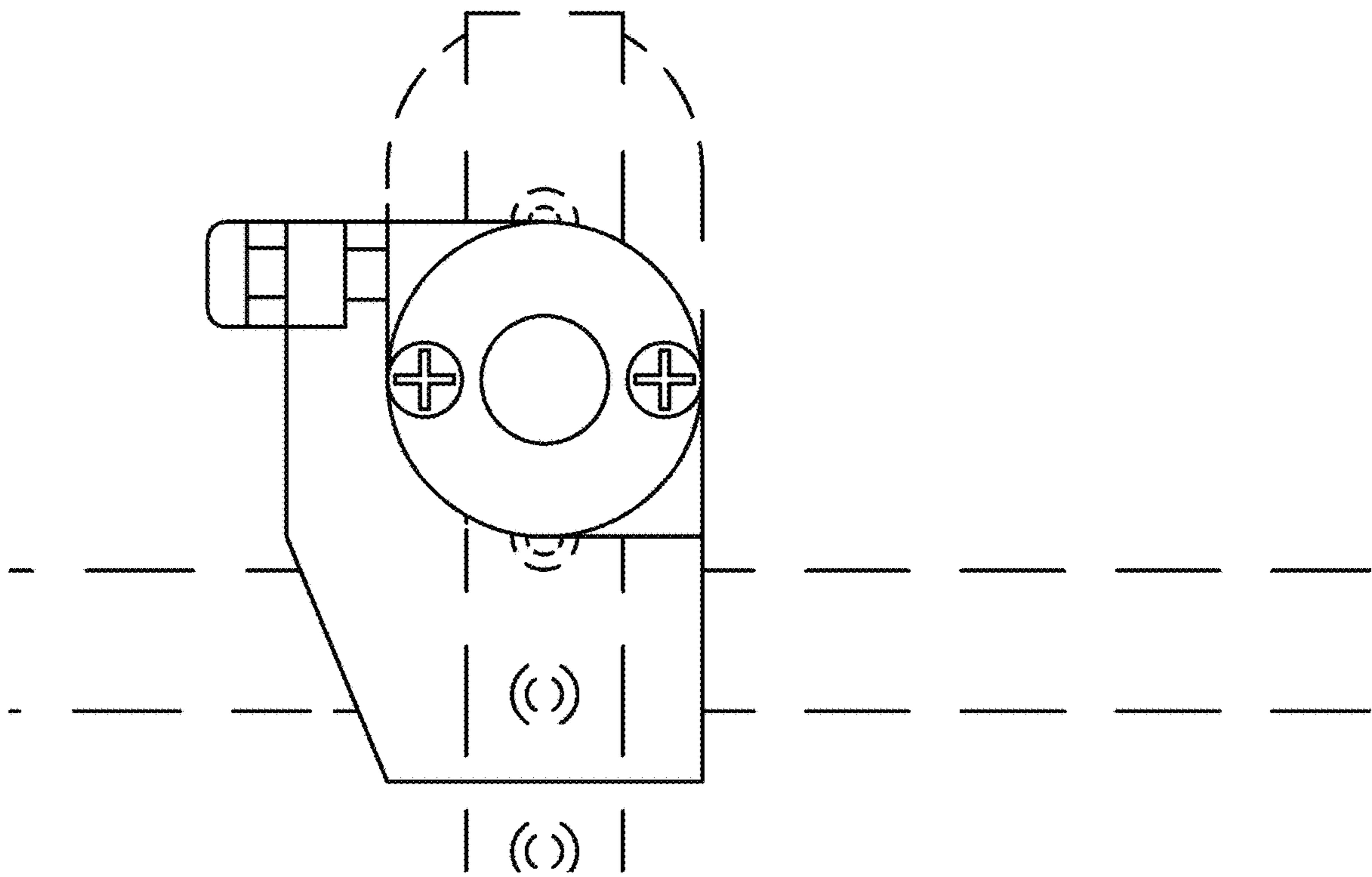


FIG. 5

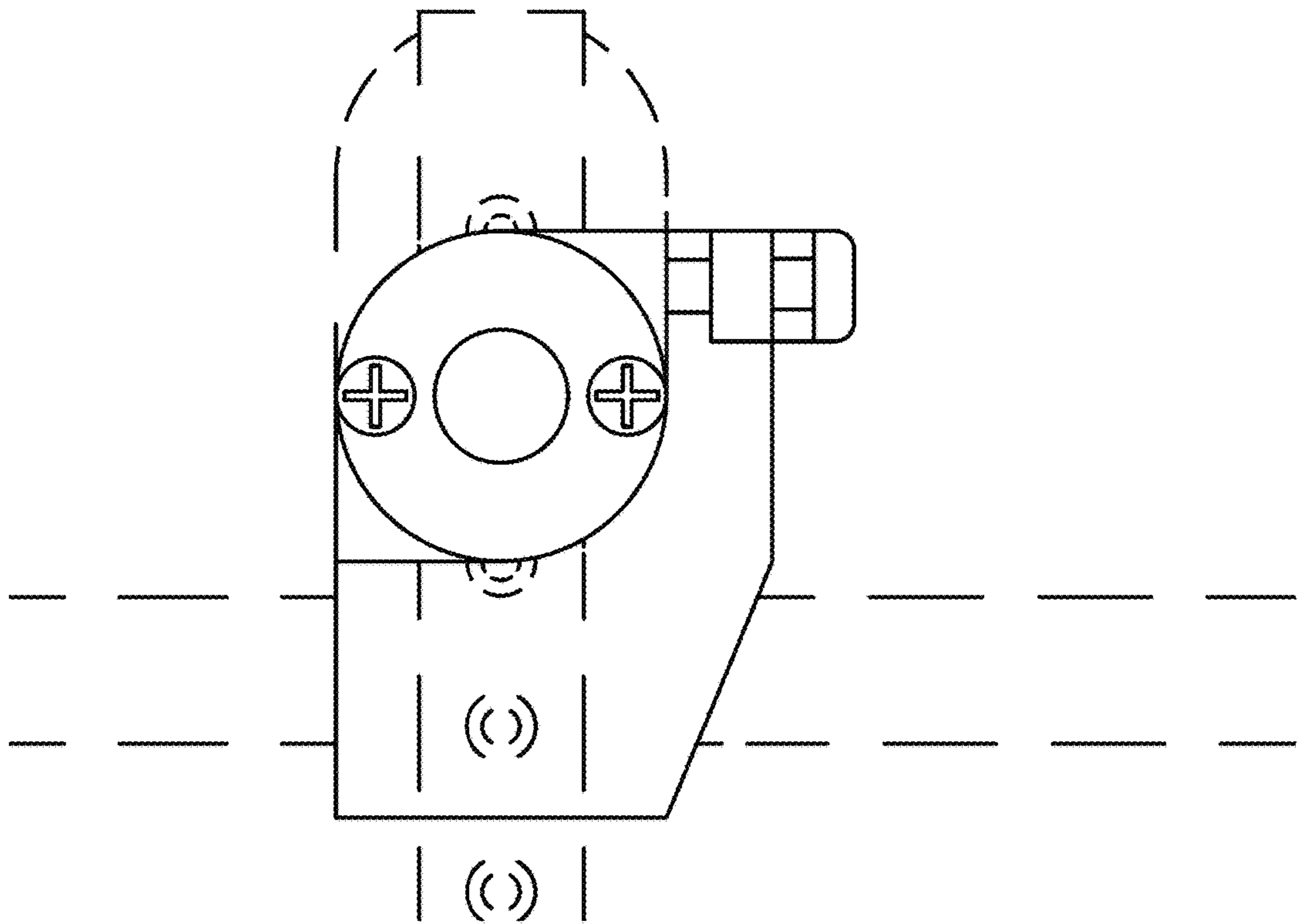


FIG. 6

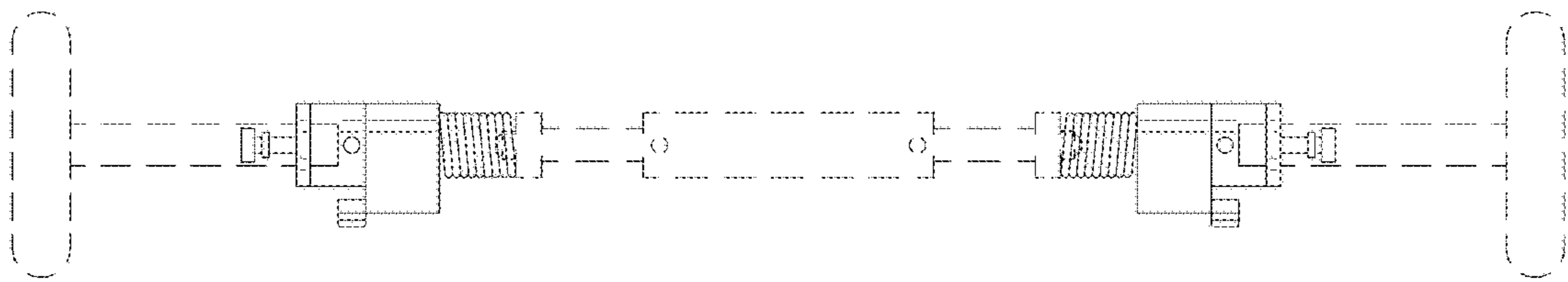


FIG. 7

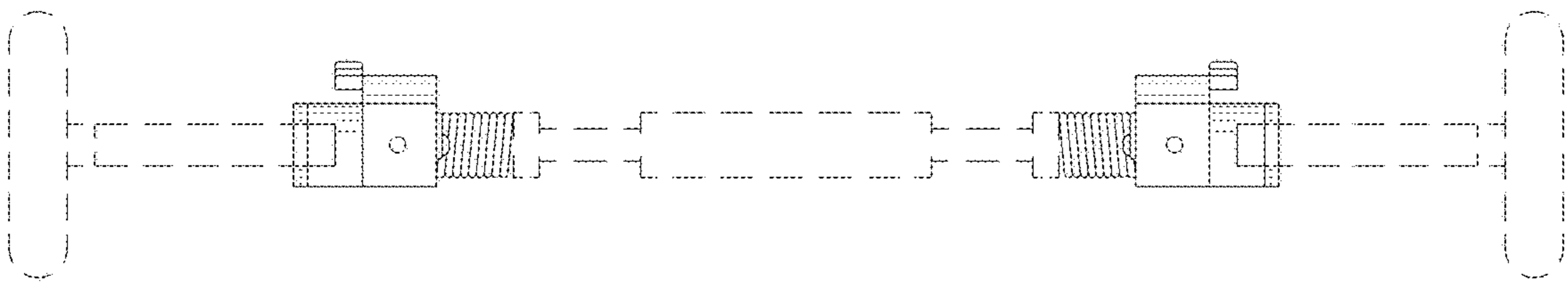


FIG. 8