



US00D804109S

(12) **United States Design Patent**  
**Anguiano-Duran**

(10) **Patent No.:** **US D804,109 S**

(45) **Date of Patent:** **\*\* Nov. 28, 2017**

(54) **MODULAR BIRD FEEDER**

(71) Applicant: **SISTEMAS AGROPECUARIOS JAT, S.A. DE C.V.**, Zapopan, Jalisco (MX)

(72) Inventor: **Luis Anguiano-Duran**, Jalisco (MX)

(73) Assignee: **SISTEMAS AGROPECUARIOS JAT, S.A. DE C.V.**, Zapopan, Jalisco (MX)

(\*\*) Term: **15 Years**

(21) Appl. No.: **29/549,940**

(22) Filed: **Dec. 29, 2015**

(30) **Foreign Application Priority Data**

Jun. 29, 2015 (MX) ..... MX/f/2015/002040

(51) **LOC (10) Cl.** ..... **30-03**

(52) **U.S. Cl.**  
USPC ..... **D30/124; D30/121; D30/131**

(58) **Field of Classification Search**  
USPC ..... D30/130-132, 199, 121-124; 119/72, 119/72.5, 75, 78, 53, 74, 76, 79, 80, 81, 119/51.01, 51.04, 52.1, 54, 57.4, 58, 61.1, 119/61.5, 52.4; 137/592, 408, 614.2; 239/28; 4/377; D7/553.4, 553.8, 552.2, D7/549, 555, 557, 554.2, 359, 586, 551.1, D7/553.7, 553.6, 546, 547, 672, 570, 544, D7/564, 587, 584; D9/428, 432; D27/134; 220/630, 575, 574, 506;  
(Continued)

(56) **References Cited**

**U.S. PATENT DOCUMENTS**

1,530,101 A \* 3/1925 Ashing ..... A01K 39/0113 119/55  
D128,124 S \* 7/1941 Melville ..... D30/121  
(Continued)

*Primary Examiner* — Susan Moon Lee

(74) *Attorney, Agent, or Firm* — Browdy and Neimark, PLLC

(57) **CLAIM**

I claim the ornamental design for a modular bird feeder, as shown and described.

**DESCRIPTION**

FIG. 1 is a left, top perspective view of a modular bird feeder;

FIG. 2 is a front elevational view thereof;

FIG. 3 is a top plan view thereof;

FIG. 4 is a bottom plan view thereof;

FIG. 5 is a left side elevational view thereof;

FIG. 6 is a right side elevational view thereof;

FIG. 7 is a rear elevational view thereof;

FIG. 8 is a left, top perspective, exploded view of the modular bird feeder of FIG. 1;

FIG. 9 is a front elevational view of the upper component of the modular bird feeder of FIG. 1, shown separately for clarity;

FIG. 10 is a top plan view thereof;

FIG. 11 is a bottom plan view thereof;

FIG. 12 is a left side elevational view thereof;

FIG. 13 is a right side elevational view thereof;

FIG. 14 is a rear elevational view thereof;

FIG. 15 is a front elevational view of the lower component of the modular bird feeder of FIG. 1, shown separately for clarity;

FIG. 16 is a top plan view thereof;

FIG. 17 is a bottom plan view thereof;

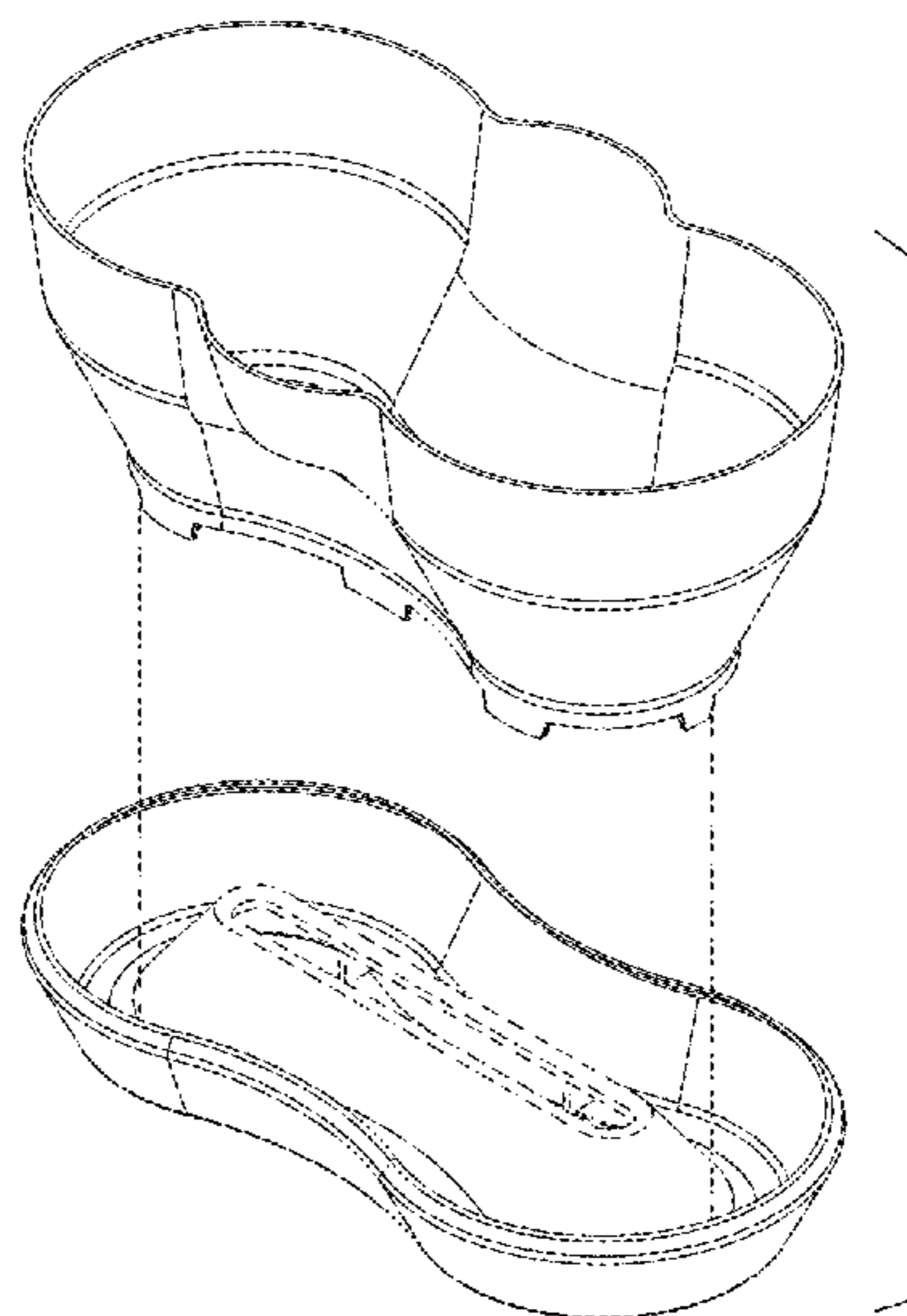
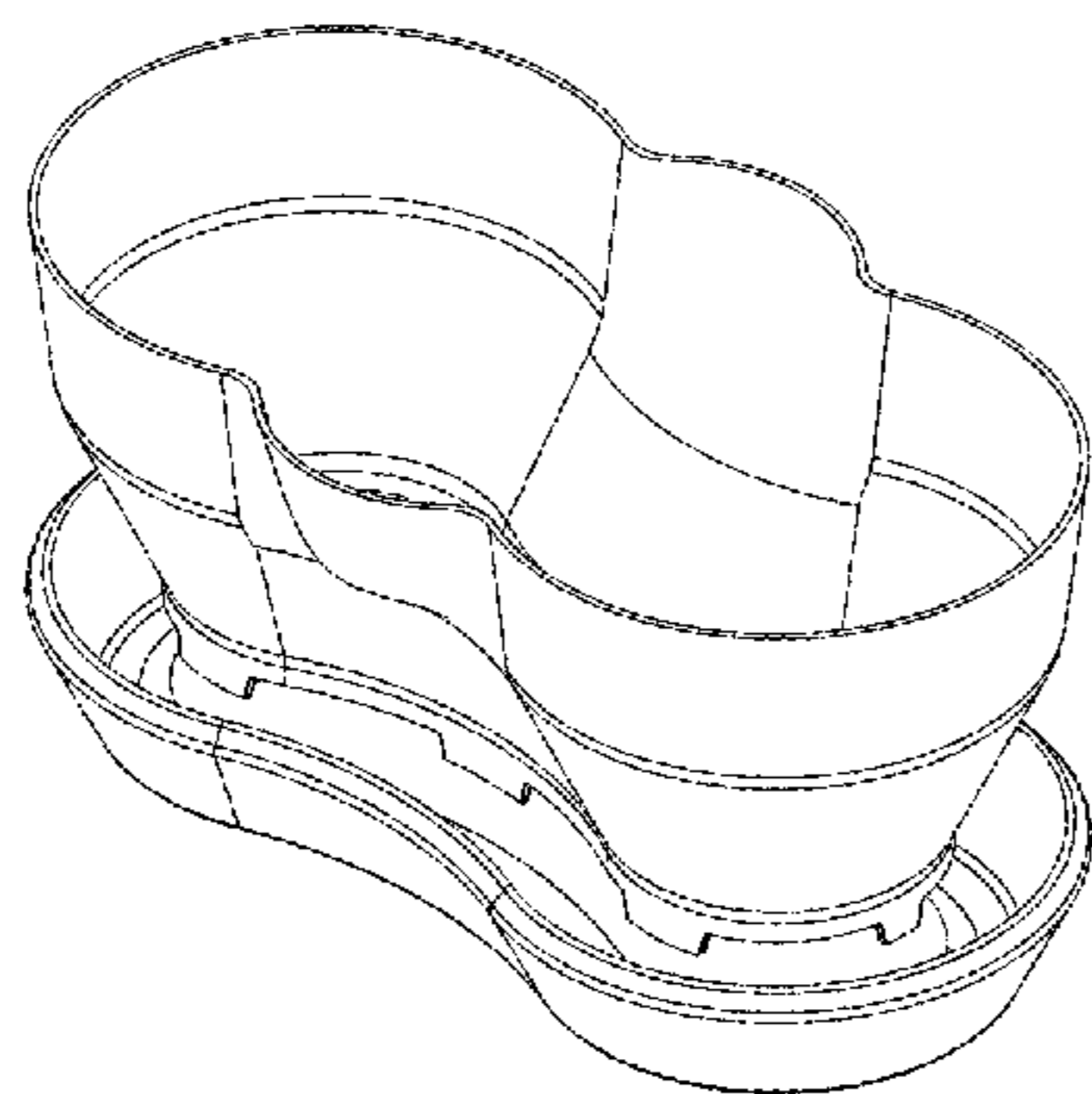
FIG. 18 is a left side elevational view thereof;

FIG. 19 is a right side elevational view thereof; and,

FIG. 20 is a rear elevational view thereof.

The exemplary broken line elements are for illustrative purposes only and form no part of the claimed design.

**1 Claim, 10 Drawing Sheets**



(58) **Field of Classification Search**

USPC ..... D11/149, 152; 99/442, 428, DIG. 15;  
 131/232; 249/169  
 CPC ..... A01K 5/0114; A01K 5/01; A01K 5/0135;  
 A01K 7/005; A01K 7/00; A01K 7/02;  
 A01K 5/0142; A01K 5/0121; A01K  
 5/0128; A01K 27/004; A01K 39/014;  
 A01K 39/00; A01K 39/02; A01K  
 39/0113; A01K 5/00; A01K 5/0107;  
 A01K 5/0225; A47J 43/0727; A01M  
 29/34; B29C 65/48; B65D 81/36; B65D  
 1/00; B65D 85/505; B65D 85/52; Y10T  
 29/4998; A45C 3/04; A45C 13/26; E04B  
 2/74; A47H 27/00

See application file for complete search history.

(56) **References Cited**

U.S. PATENT DOCUMENTS

D154,272 S \* 6/1949 Heim ..... D6/339  
 2,549,282 A \* 4/1951 Aschbrenner ..... B65D 7/02  
 220/669  
 D165,683 S \* 1/1952 Fournier et al. .... D24/230  
 D174,831 S \* 5/1955 Nowak ..... D7/550.1  
 2,834,502 A \* 5/1958 Trojan ..... B65D 7/24  
 220/8  
 D190,845 S \* 7/1961 Saeks ..... D27/102  
 D244,452 S \* 5/1977 Ohshiro ..... D21/816  
 D251,227 S \* 3/1979 Mathison ..... D7/550.1  
 4,320,721 A \* 3/1982 Silcox ..... A01K 7/027  
 119/73  
 D283,098 S \* 3/1986 Murdick ..... D7/586  
 4,573,579 A \* 3/1986 Murdick ..... A47G 19/30  
 206/525  
 D287,806 S \* 1/1987 Borin ..... D7/317  
 D294,749 S \* 3/1988 Fuller ..... D30/132  
 5,113,800 A \* 5/1992 Van Epps, II ..... A01K 7/04  
 119/78  
 D346,720 S \* 5/1994 Onneweer ..... D7/538  
 D350,842 S \* 9/1994 VanSkiver ..... D30/121  
 5,367,718 A \* 11/1994 Ellis ..... A47K 11/02  
 220/212.5  
 D354,377 S \* 1/1995 Wenstrand ..... D30/131  
 D362,090 S \* 9/1995 Baldwin ..... D30/130  
 D395,824 S \* 7/1998 Durliat ..... D9/430  
 D408,549 S \* 4/1999 Sullivan ..... D25/2  
 D410,780 S \* 6/1999 McGinty ..... D30/119  
 D423,880 S \* 5/2000 Rashid ..... D7/503  
 D430,710 S \* 9/2000 Sheely ..... D30/129  
 D430,959 S \* 9/2000 Sheely ..... D30/129  
 D444,035 S \* 6/2001 Austen-Meek ..... D7/602  
 6,293,445 B1 \* 9/2001 Miller ..... A45F 3/00  
 224/236

D462,877 S \* 9/2002 Lillelund ..... D7/548  
 D478,860 S \* 8/2003 Young ..... D12/419  
 D481,594 S \* 11/2003 Roehrig ..... D7/555  
 D512,686 S \* 12/2005 Langley ..... D13/107  
 D512,801 S \* 12/2005 Kratzer ..... D30/130  
 D514,708 S \* 2/2006 Sullivan ..... D25/2  
 7,000,618 B2 \* 2/2006 Dovergne ..... A45D 19/02  
 132/112  
 D541,935 S \* 5/2007 Mijers ..... D24/129  
 D543,075 S \* 5/2007 Ablo ..... D7/500  
 D554,368 S \* 11/2007 O'Hara ..... D3/203.1  
 D562,639 S \* 2/2008 Ablo ..... D7/500  
 D592,458 S \* 5/2009 Scherer ..... D7/566  
 D598,715 S \* 8/2009 Foss ..... D7/602  
 D608,901 S \* 1/2010 Gill ..... D25/2  
 D610,408 S \* 2/2010 Paolini ..... D7/500  
 D620,661 S \* 7/2010 Tsai ..... D32/53  
 D630,911 S \* 1/2011 McCaleb ..... D7/691  
 D667,706 S \* 9/2012 Sandford ..... D7/672  
 8,336,493 B1 \* 12/2012 Weber ..... 119/52.1  
 D691,341 S \* 10/2013 Barre ..... D32/37  
 D692,572 S \* 10/2013 Steinman ..... D24/216  
 D698,512 S \* 1/2014 Howard ..... D32/53  
 D701,354 S \* 3/2014 Septien Prieto ..... D30/121  
 D706,671 S \* 6/2014 Thuma ..... D11/152  
 D710,059 S \* 7/2014 Risser ..... D30/121  
 D720,098 S \* 12/2014 Septien Prieto ..... D30/121  
 D730,588 S \* 5/2015 Risser ..... D30/121  
 D730,698 S \* 6/2015 Wade ..... D7/551.1  
 D732,783 S \* 6/2015 MacArthur ..... D34/1  
 D750,848 S \* 3/2016 Risser ..... D30/129  
 D775,435 S \* 12/2016 Risser ..... D30/121  
 9,591,833 B1 \* 3/2017 McGregor ..... A01K 39/01  
 2006/0253965 A1 \* 11/2006 Buermann ..... A61J 19/00  
 4/258  
 2007/0215056 A1 \* 9/2007 Kreger ..... A01K 39/0213  
 119/72.5  
 2010/0206241 A1 \* 8/2010 Ragonetti ..... A01K 15/027  
 119/452  
 2011/0114219 A1 \* 5/2011 Lathim ..... A01K 5/0225  
 141/311 R  
 2013/0137080 A1 \* 5/2013 Henderson ..... A01N 1/0263  
 435/1.3  
 2015/0000609 A1 \* 1/2015 Frye ..... A01K 13/003  
 119/601  
 2016/0021853 A1 \* 1/2016 Septien Prieto ... A01K 39/0125  
 119/52.1  
 2016/0073615 A1 \* 3/2016 Van Kerrebroeck ..... B08B 3/02  
 134/22.12  
 2016/0095300 A1 \* 4/2016 Stuedler, Jr. .... A01K 5/0208  
 119/51.01  
 2016/0286756 A1 \* 10/2016 Thomas ..... A01K 7/027  
 2017/0181410 A1 \* 6/2017 McGregor ..... F16M 13/022

\* cited by examiner

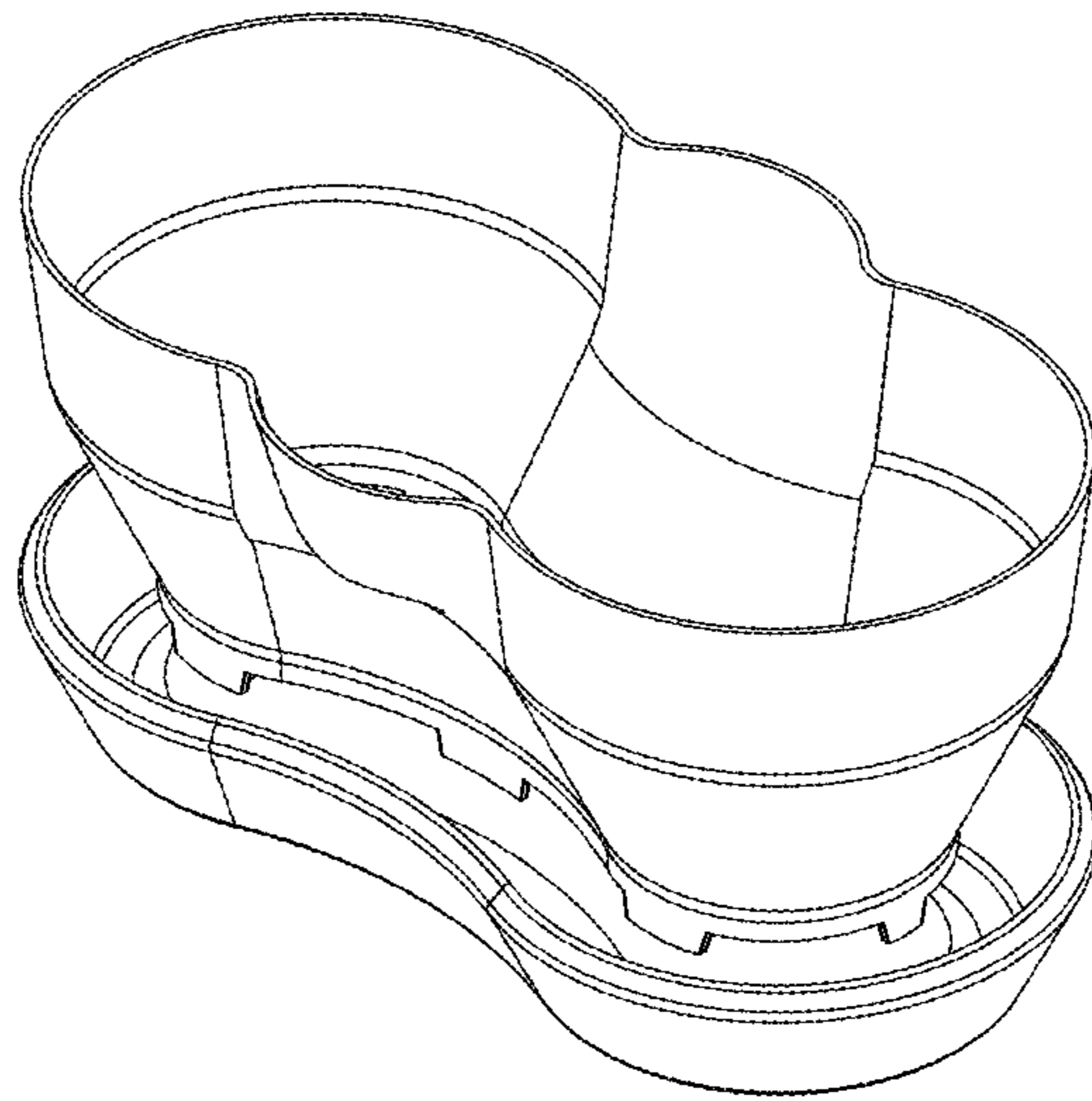


FIG. 1

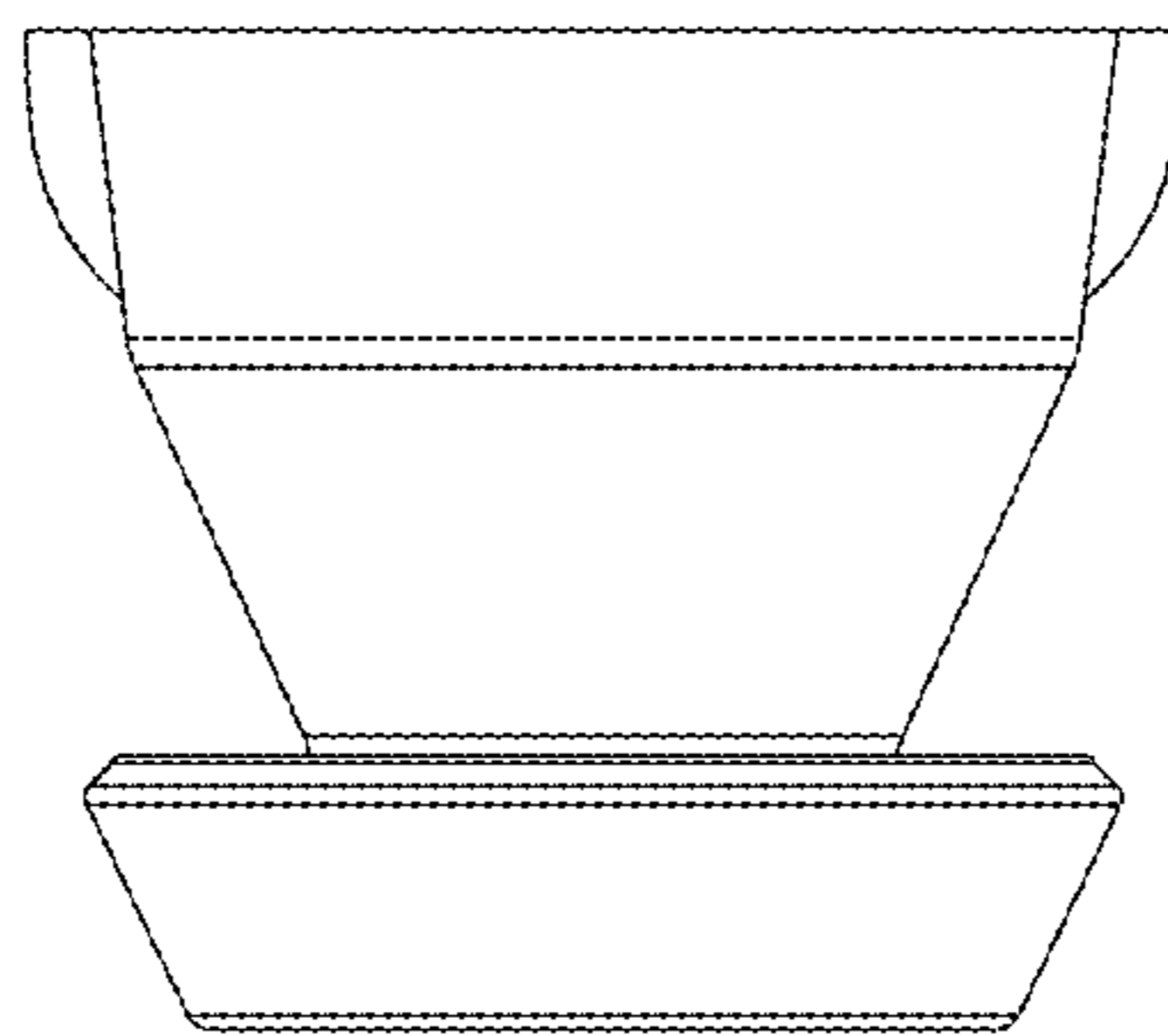


FIG. 2



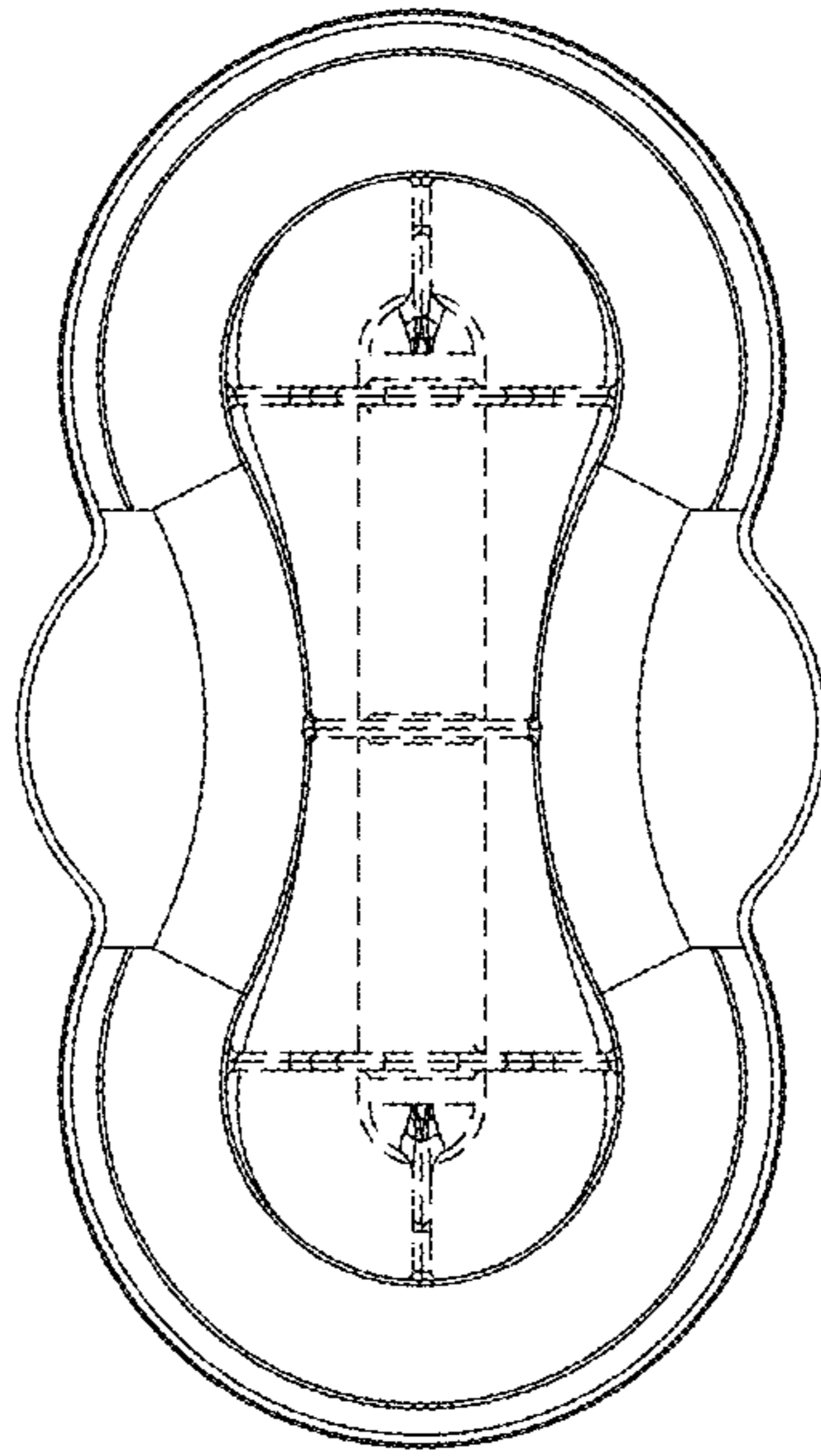


FIG. 3

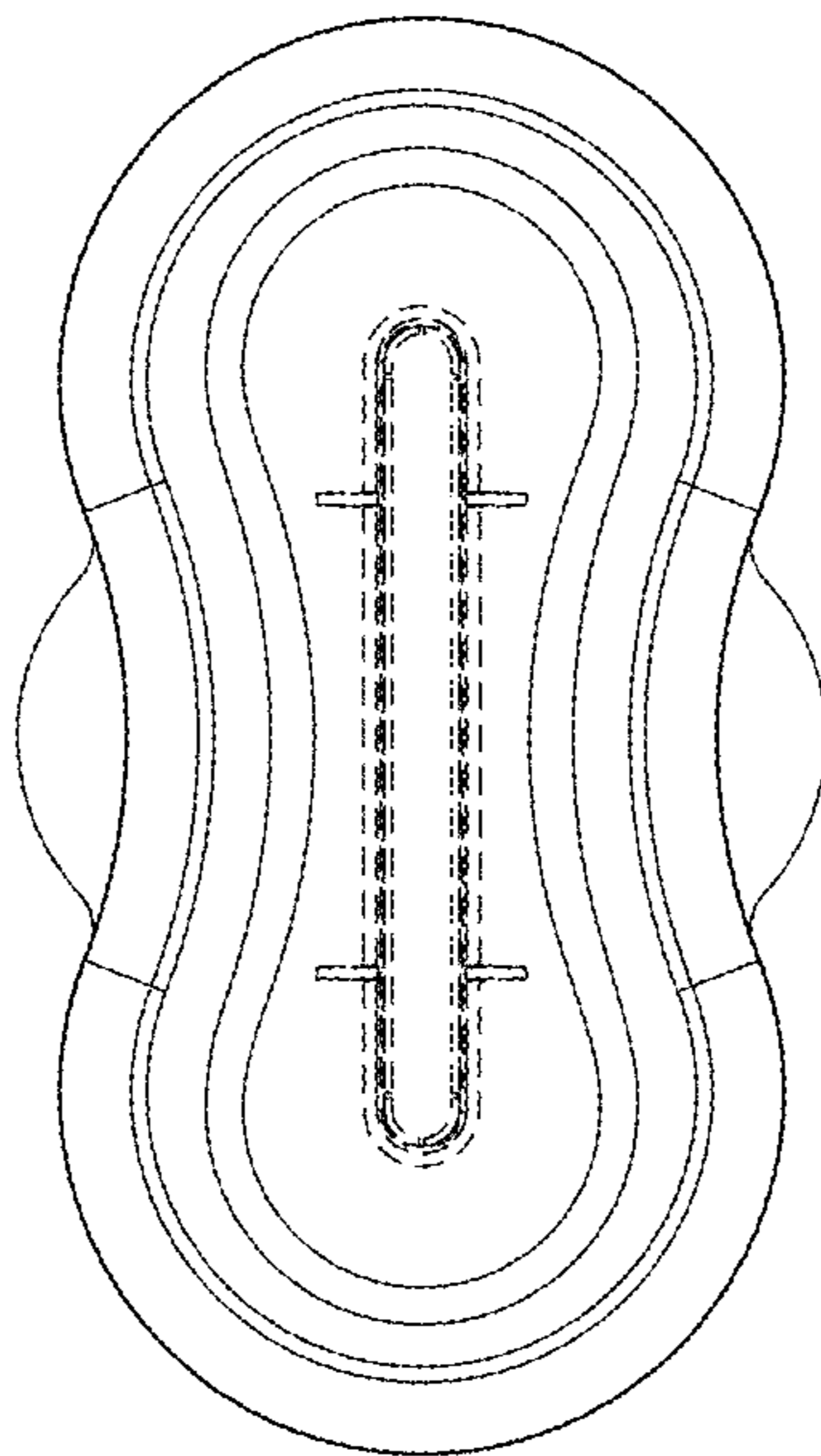


FIG. 4

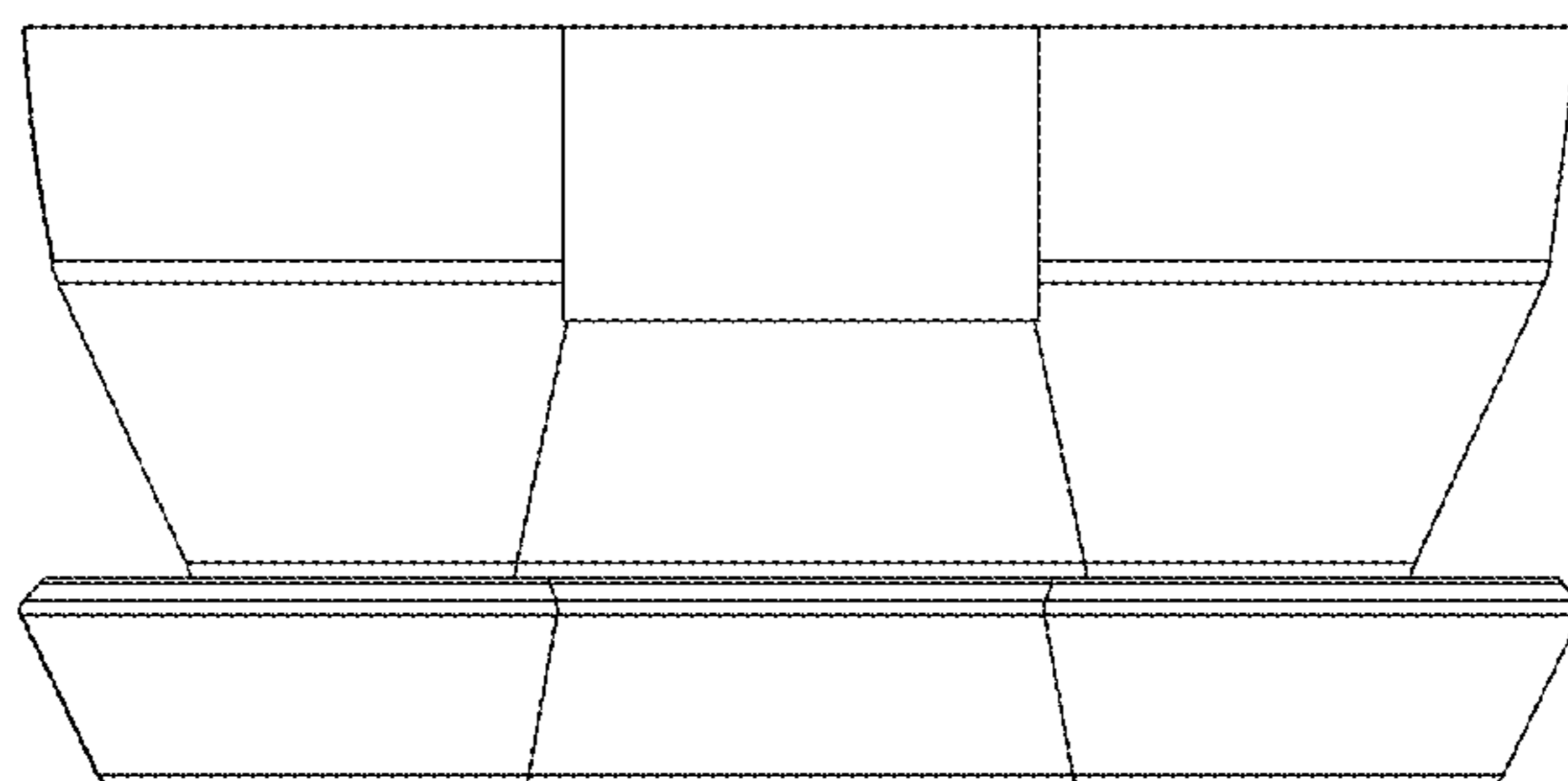


FIG. 5

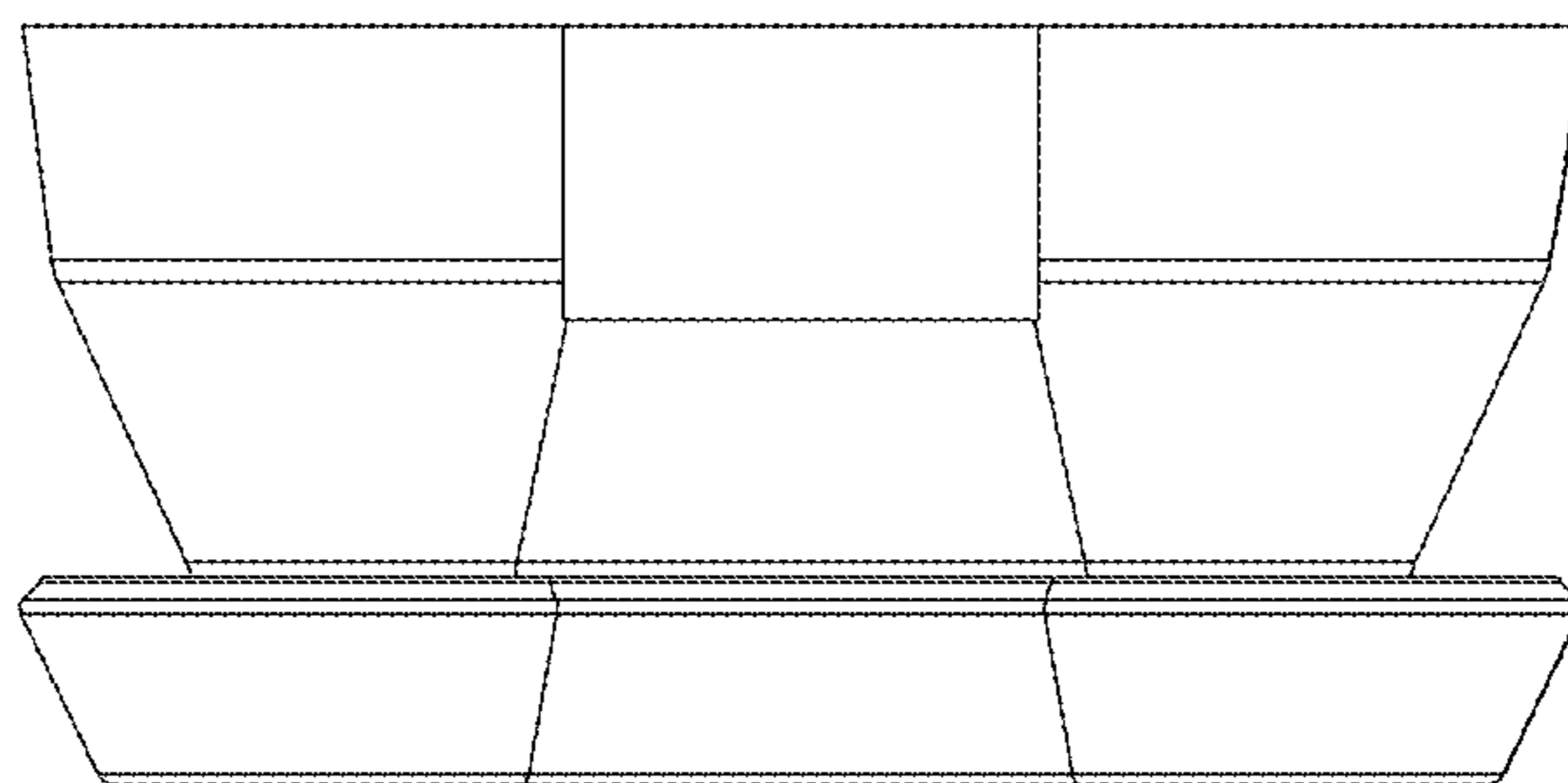


FIG. 6

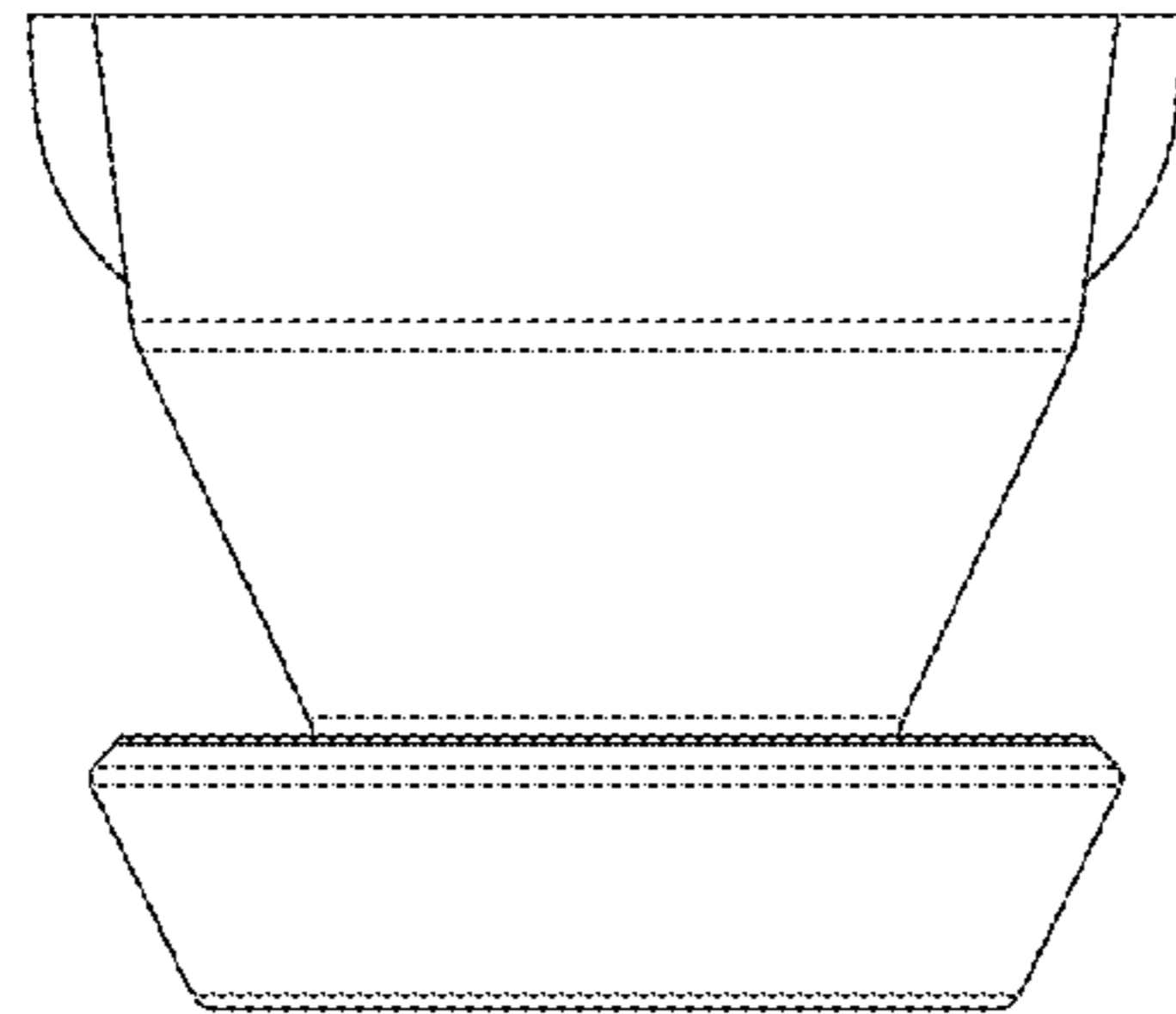


FIG. 7

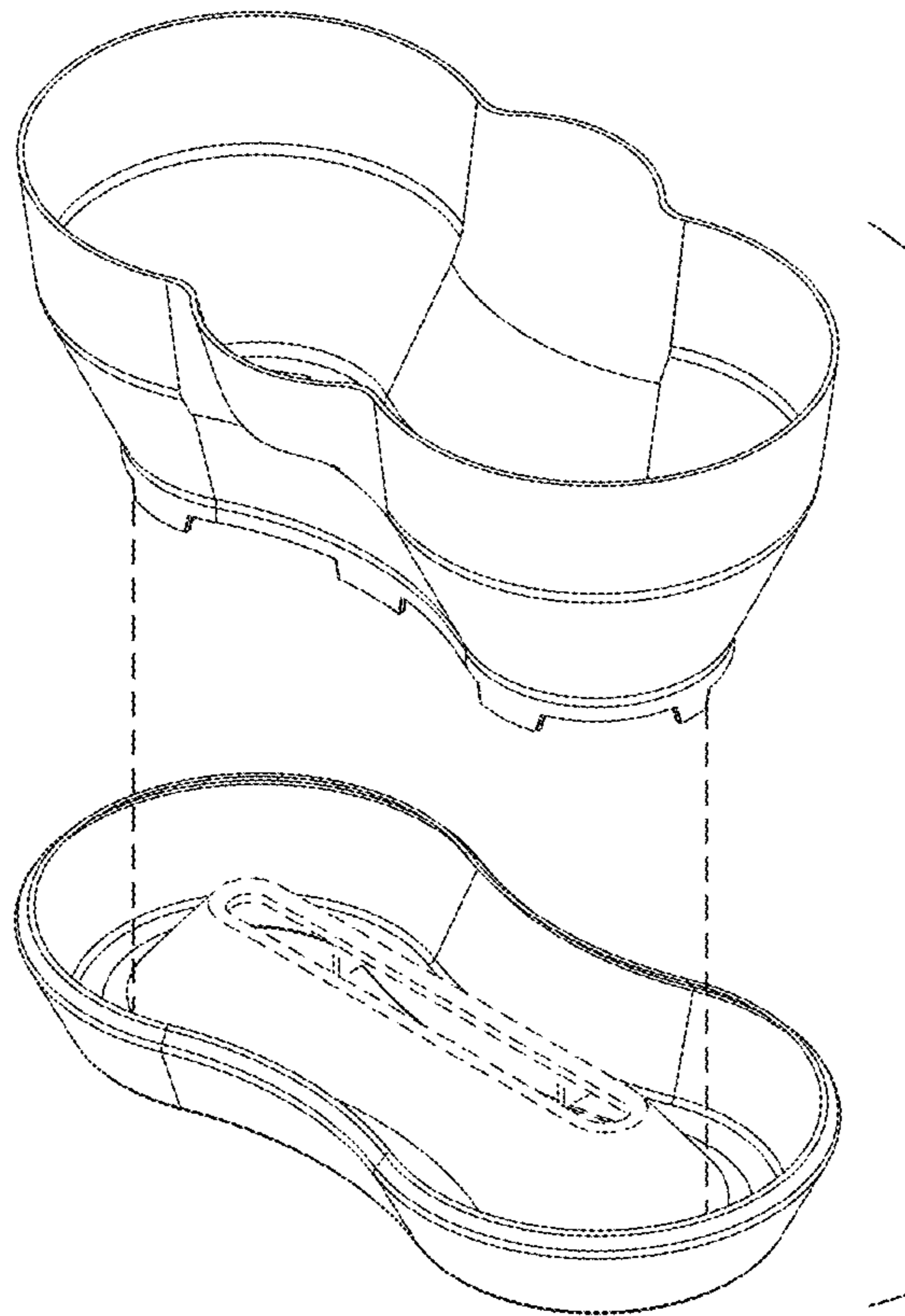


FIG. 8

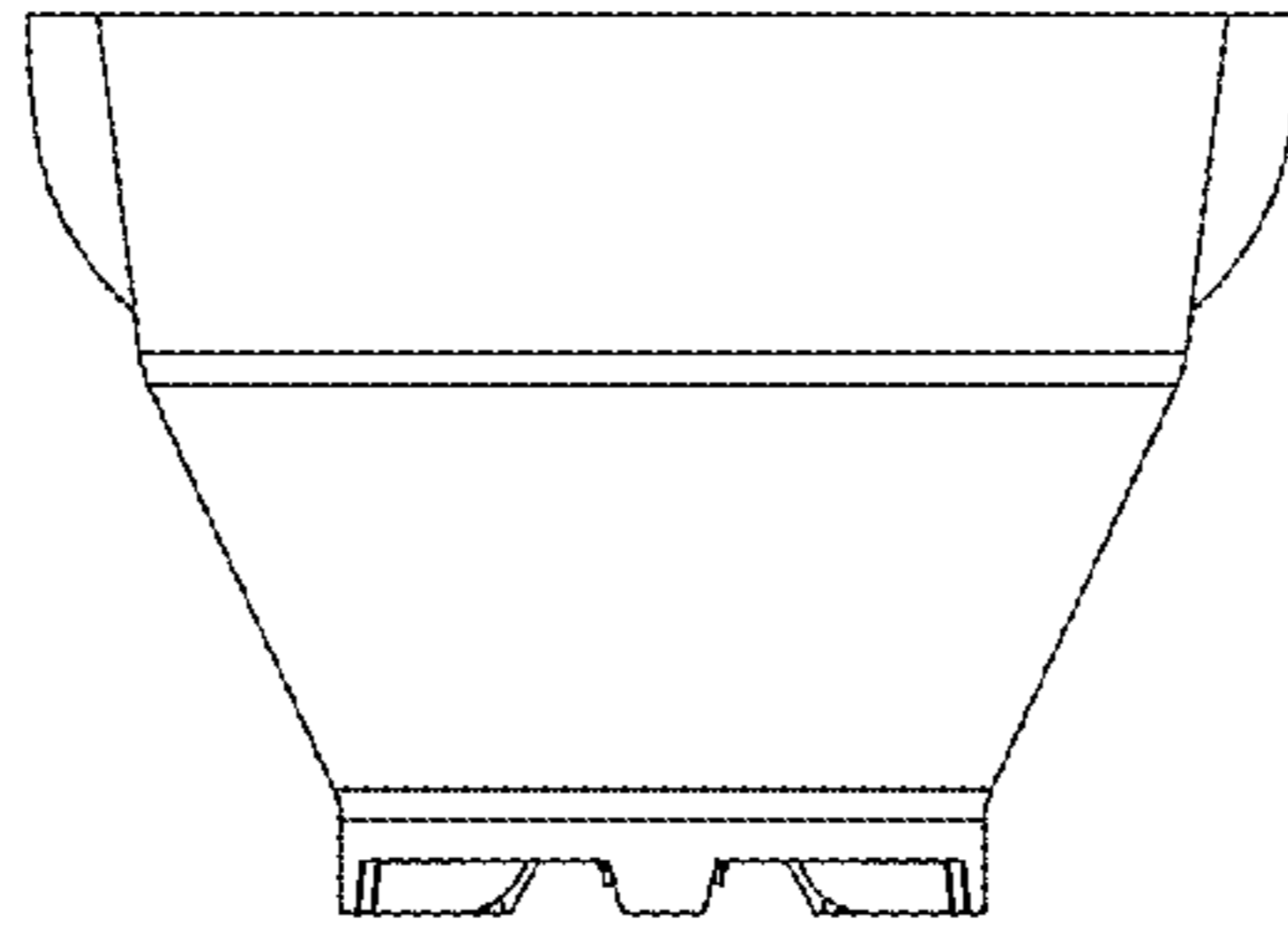


FIG. 9

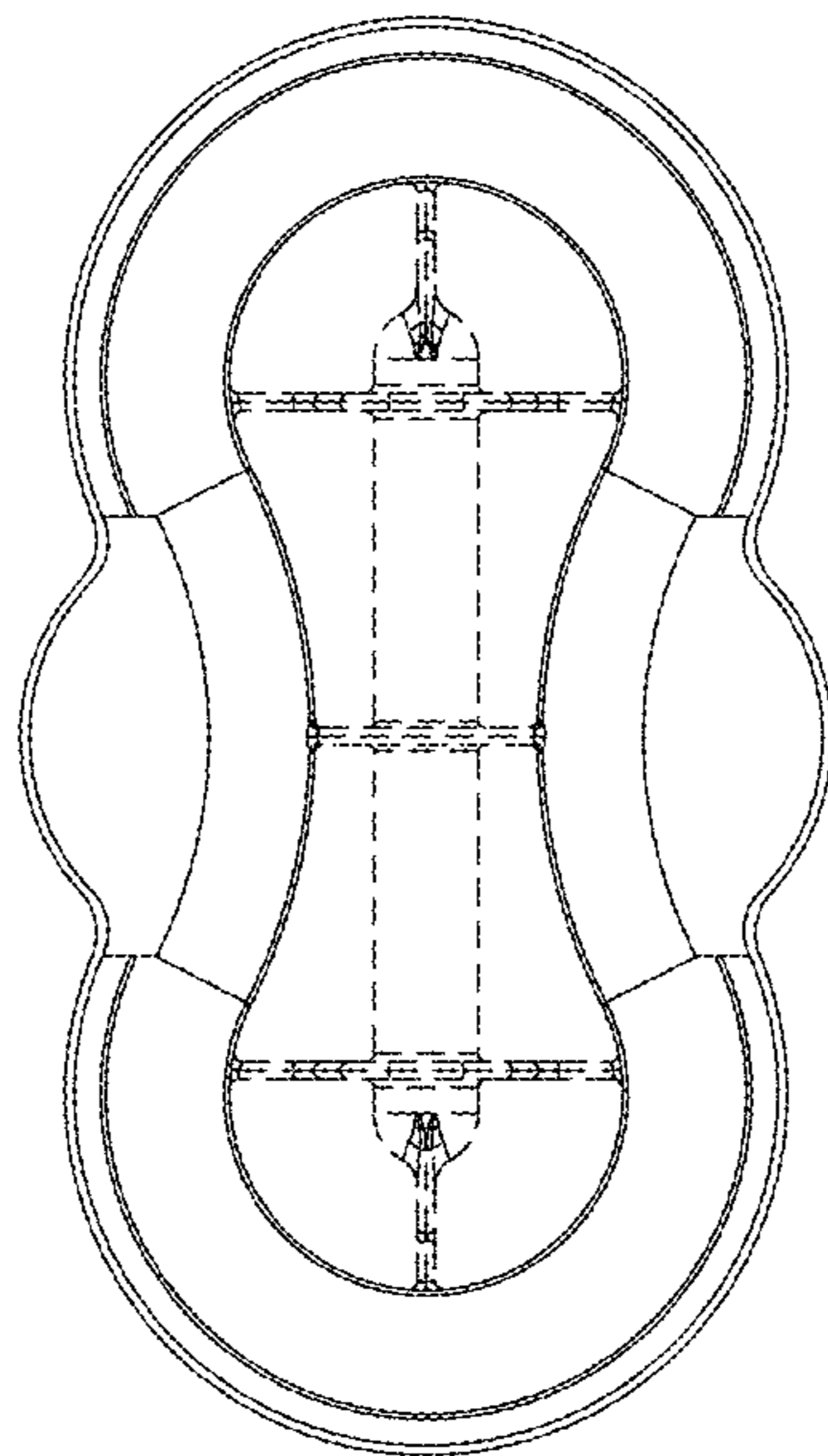


FIG. 10

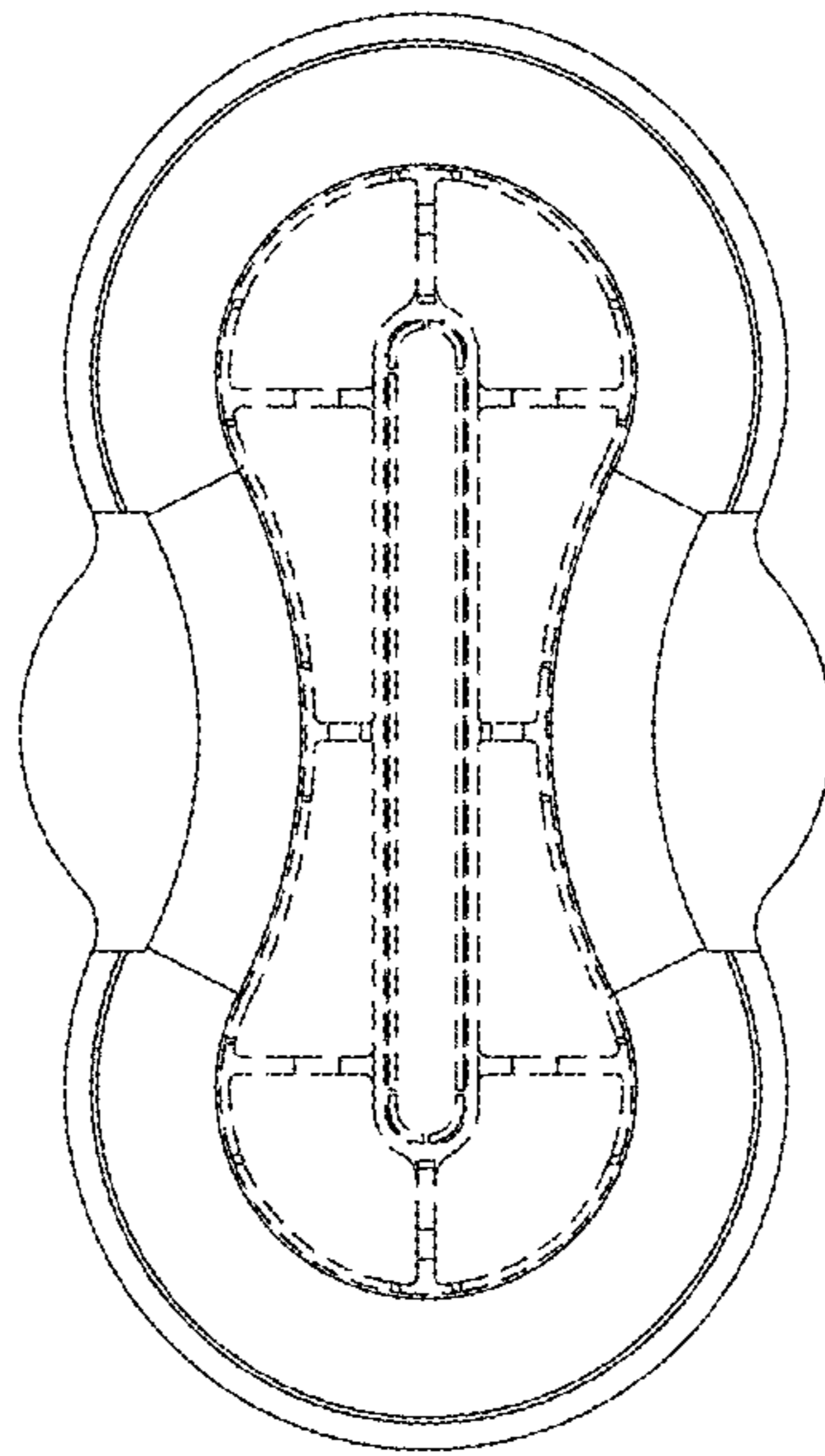


FIG. 11

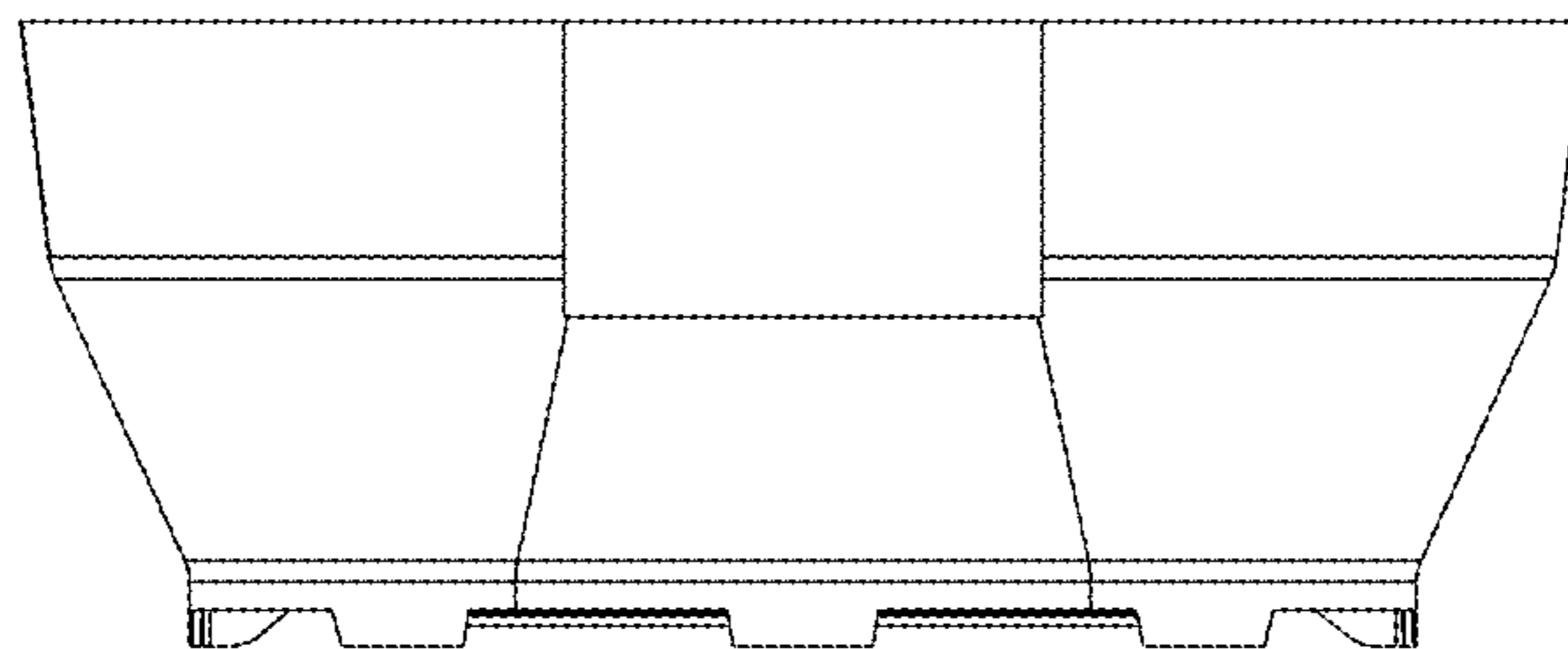


FIG. 12



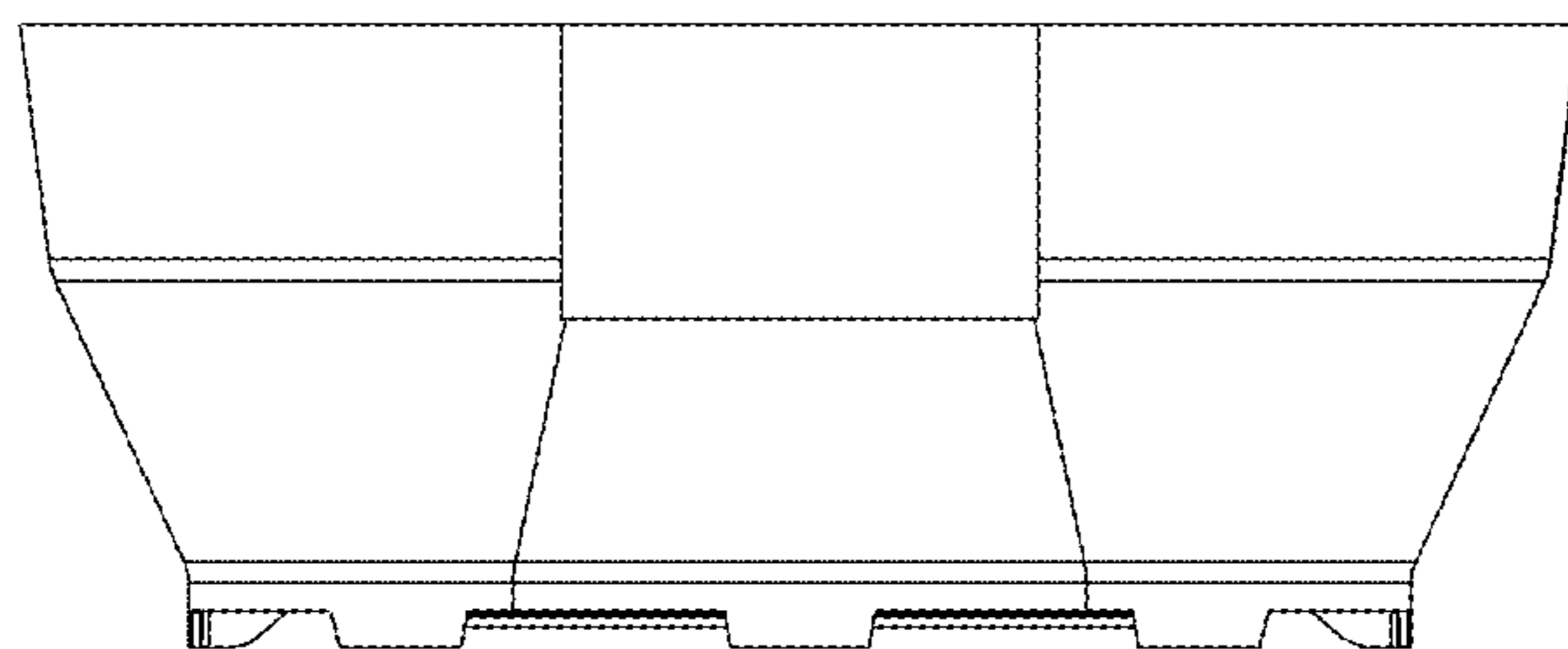


FIG. 13

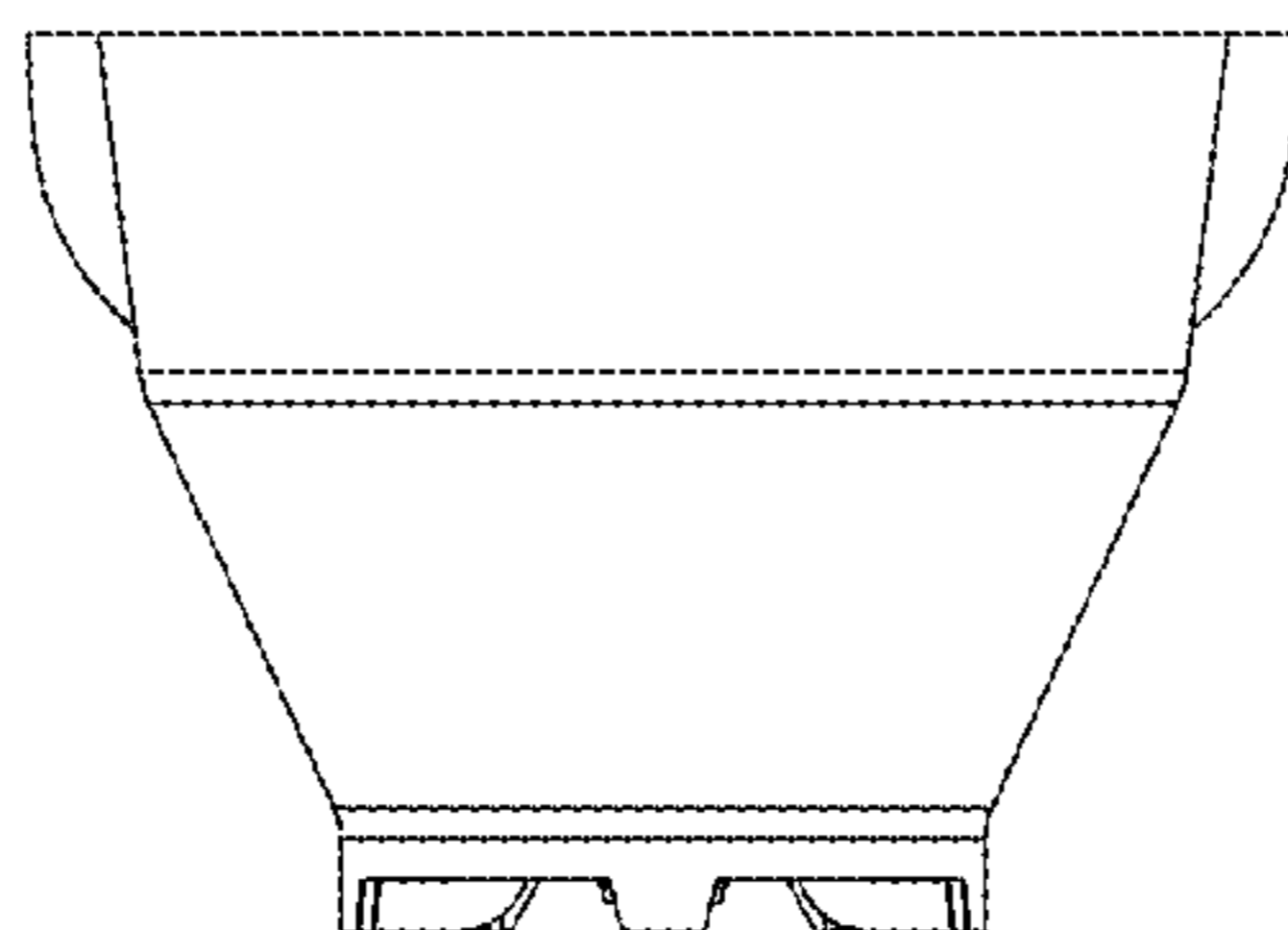


FIG. 14

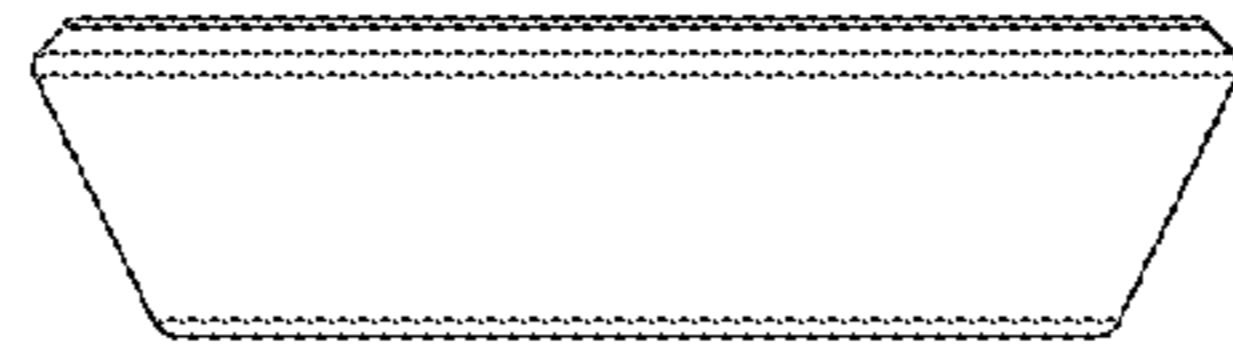


FIG. 15

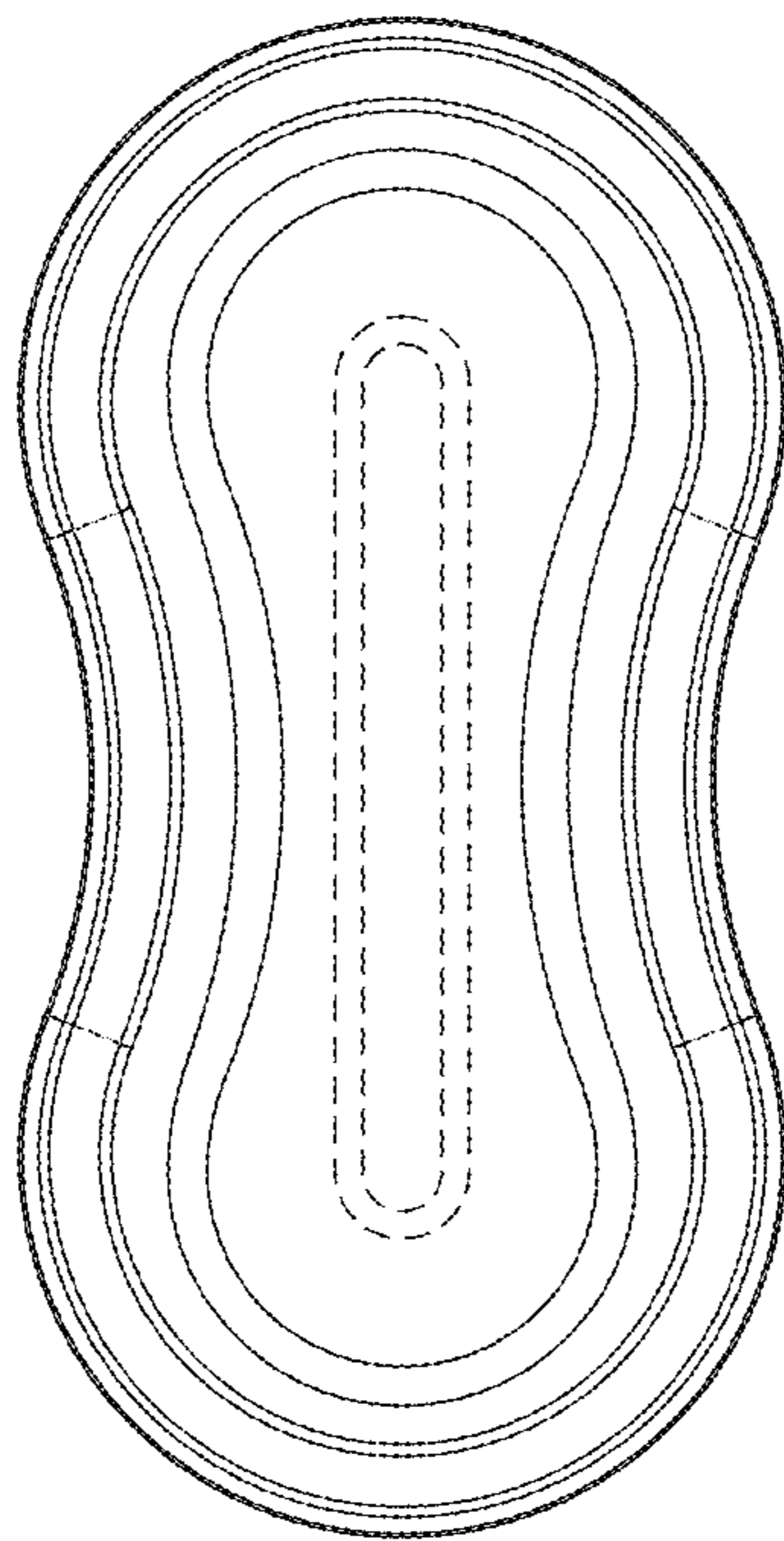


FIG. 16

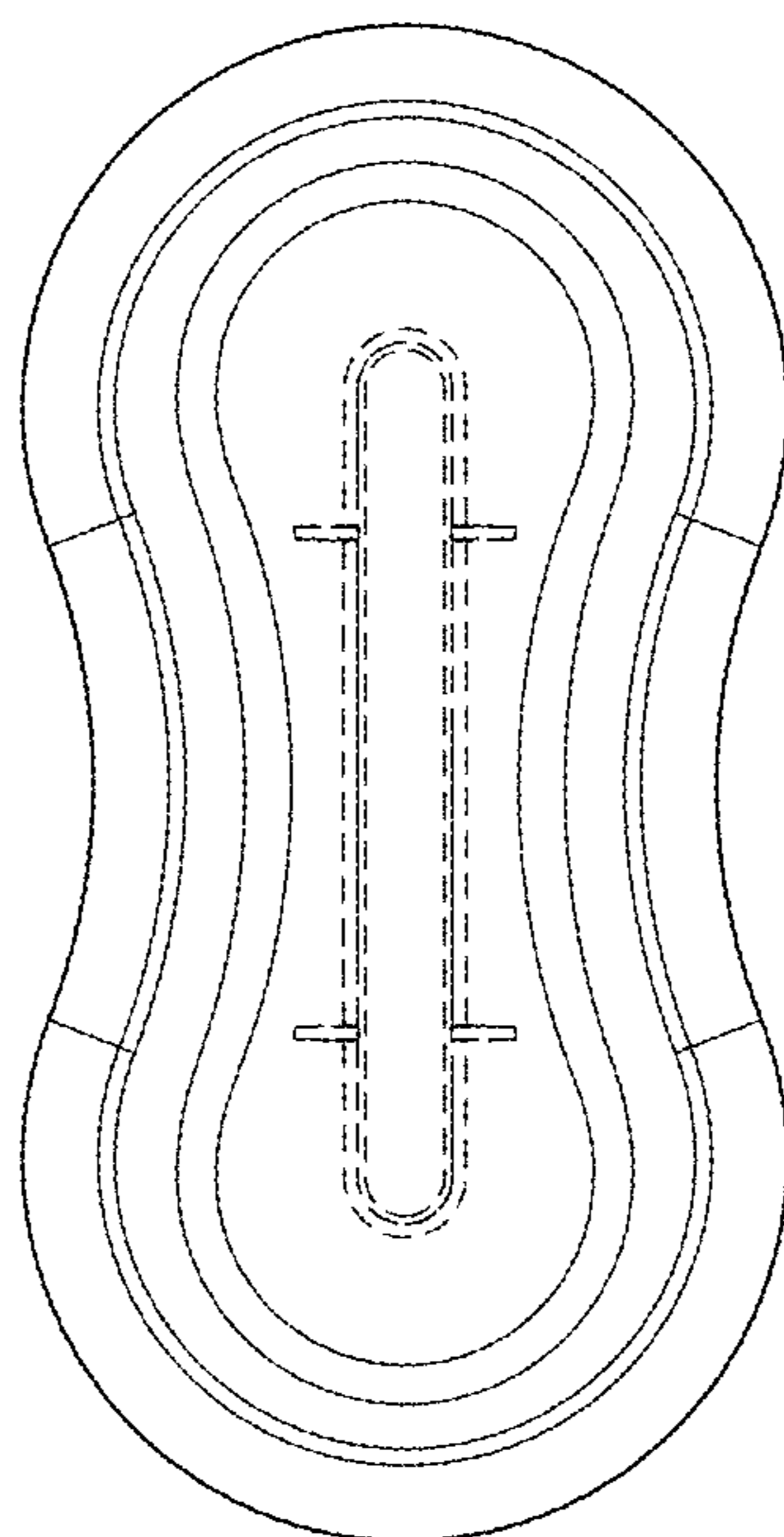


FIG. 17

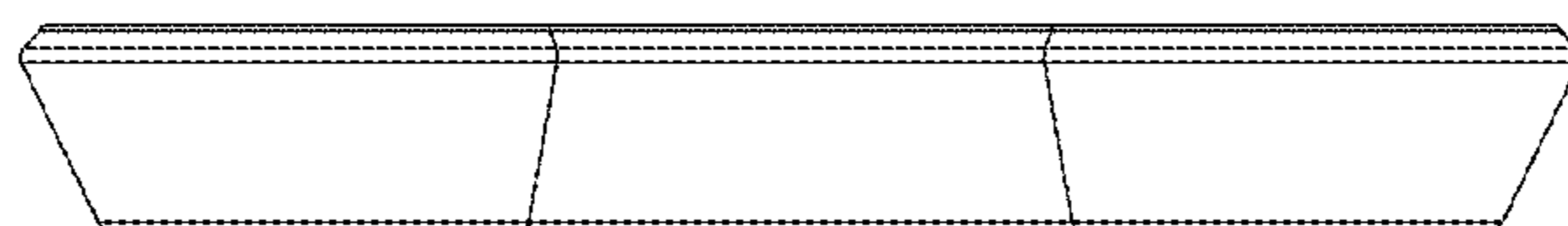


FIG. 18

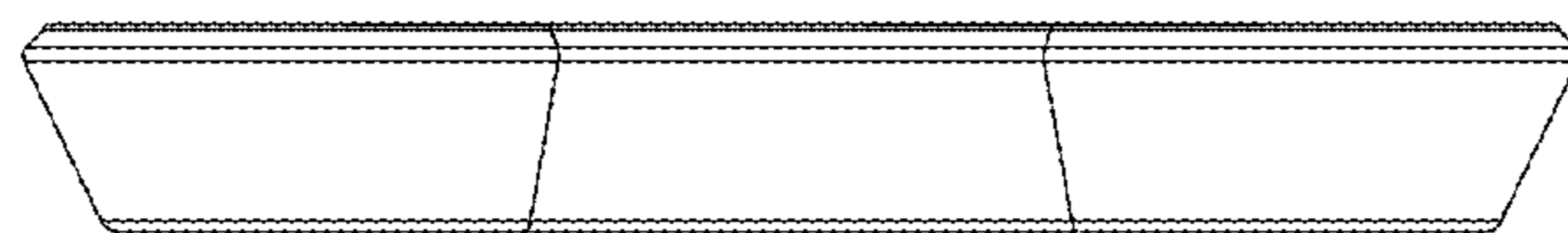


FIG. 19

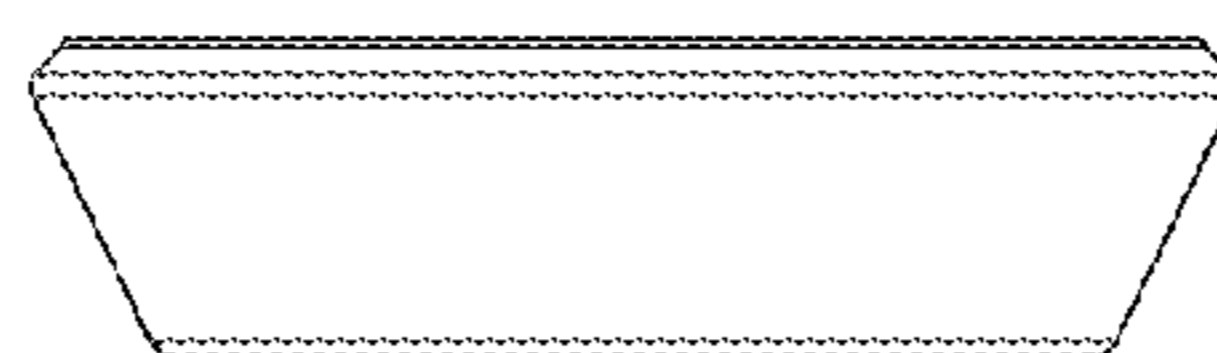


FIG. 20