



US00D804098S

(12) **United States Design Patent**
Kadar

(10) **Patent No.:** **US D804,098 S**

(45) **Date of Patent:** **** Nov. 28, 2017**

(54) **FACIAL TISSUE PAPER BOX STAND
PLUMAGE CONTROL APPARATUS**

(71) Applicant: **Brandon Vern Kadar**, Fullerton, CA
(US)

(72) Inventor: **Brandon Vern Kadar**, Fullerton, CA
(US)

(**) Term: **15 Years**

(21) Appl. No.: **29/562,579**

(22) Filed: **Apr. 27, 2016**

(51) **LOC (10) Cl.** **28-03**

(52) **U.S. Cl.**
USPC **D28/73**; D19/113; D19/114; D6/718.31;
D21/606

(58) **Field of Classification Search**
USPC D6/718.31, 677.5; D21/606, 693;
D28/73; D19/113, 114
CPC A47C 27/064; A47C 23/0438
See application file for complete search history.

(56) **References Cited**

U.S. PATENT DOCUMENTS

D289,121 S *	4/1987	Sasaki	D6/718.31
D336,188 S *	6/1993	Barber	D6/718.31
D348,162 S *	6/1994	Issacs	D6/718.31
D362,703 S *	9/1995	Rusk	D21/693
D383,022 S *	9/1997	Barber	D6/718.31
D481,891 S *	11/2003	Gibbens	D6/718.31
D531,436 S *	11/2006	Eigenmann	D6/718.31

D574,168 S *	8/2008	Eigenmann	D6/718.31
D579,242 S *	10/2008	Kilic	D6/718.31
D661,925 S *	6/2012	DeFranks	D6/718.31
D681,980 S *	5/2013	DeFranks	A47C 23/0438 D6/718.31
D739,162 S *	9/2015	Jorgensen	D6/606
9,161,634 B2 *	10/2015	DeFranks	A47C 23/0438
D774,818 S *	12/2016	Jorgensen	D6/718.31

* cited by examiner

Primary Examiner — John Windmuller

Assistant Examiner — Melvin L Davis

(57) **CLAIM**

The ornamental design for a facial tissue paper box stand plumage control apparatus, as shown and described.

DESCRIPTION

FIG. 1: is a top front perspective view the apparatus, shown in use;

FIG. 2: is a top front perspective view the apparatus;

FIG. 3: is a front elevation view thereof;

FIG. 4: is a rear elevation view thereof;

FIG. 5: is a right elevation view thereof;

FIG. 6: is a left elevation view thereof;

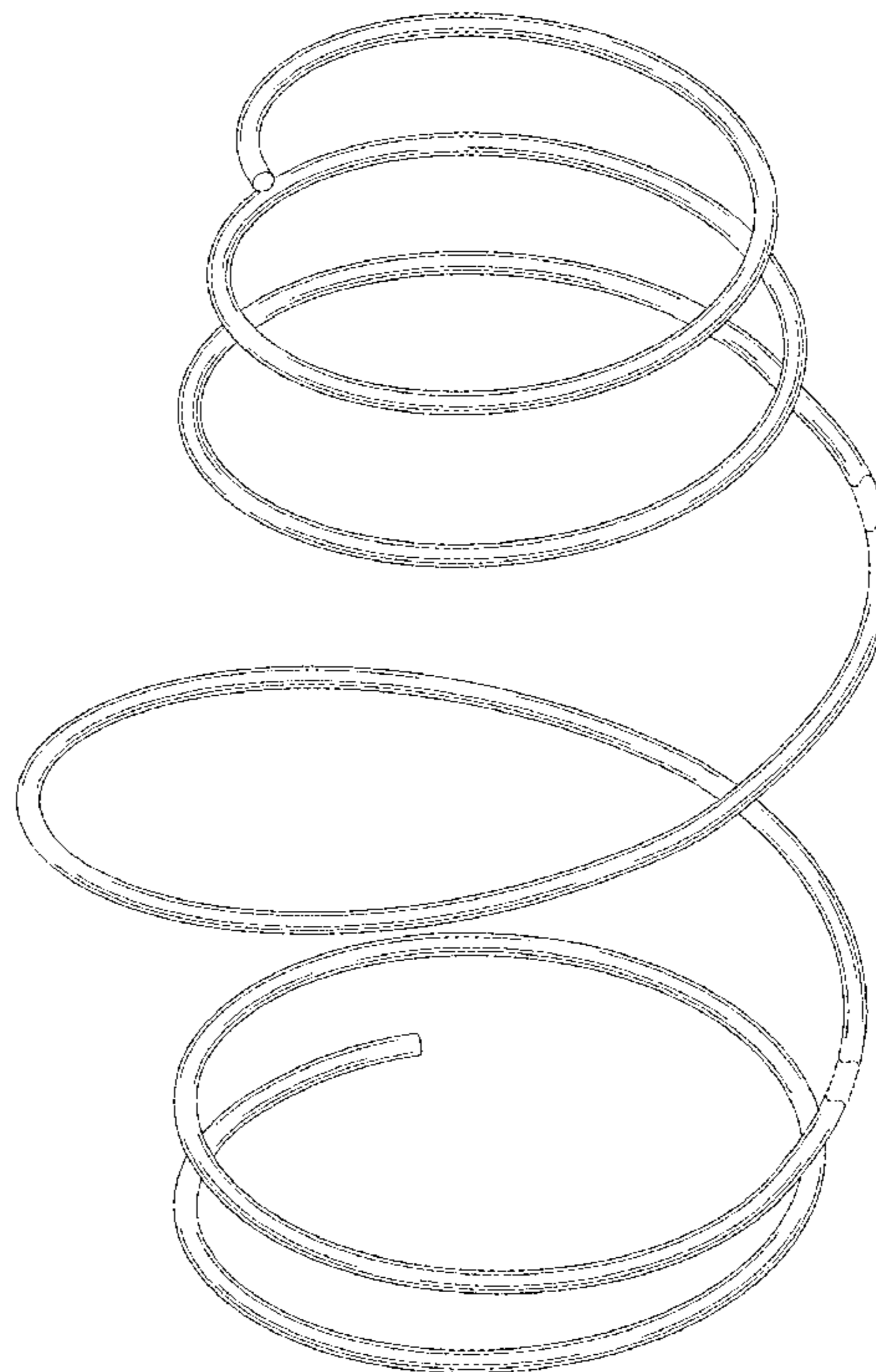
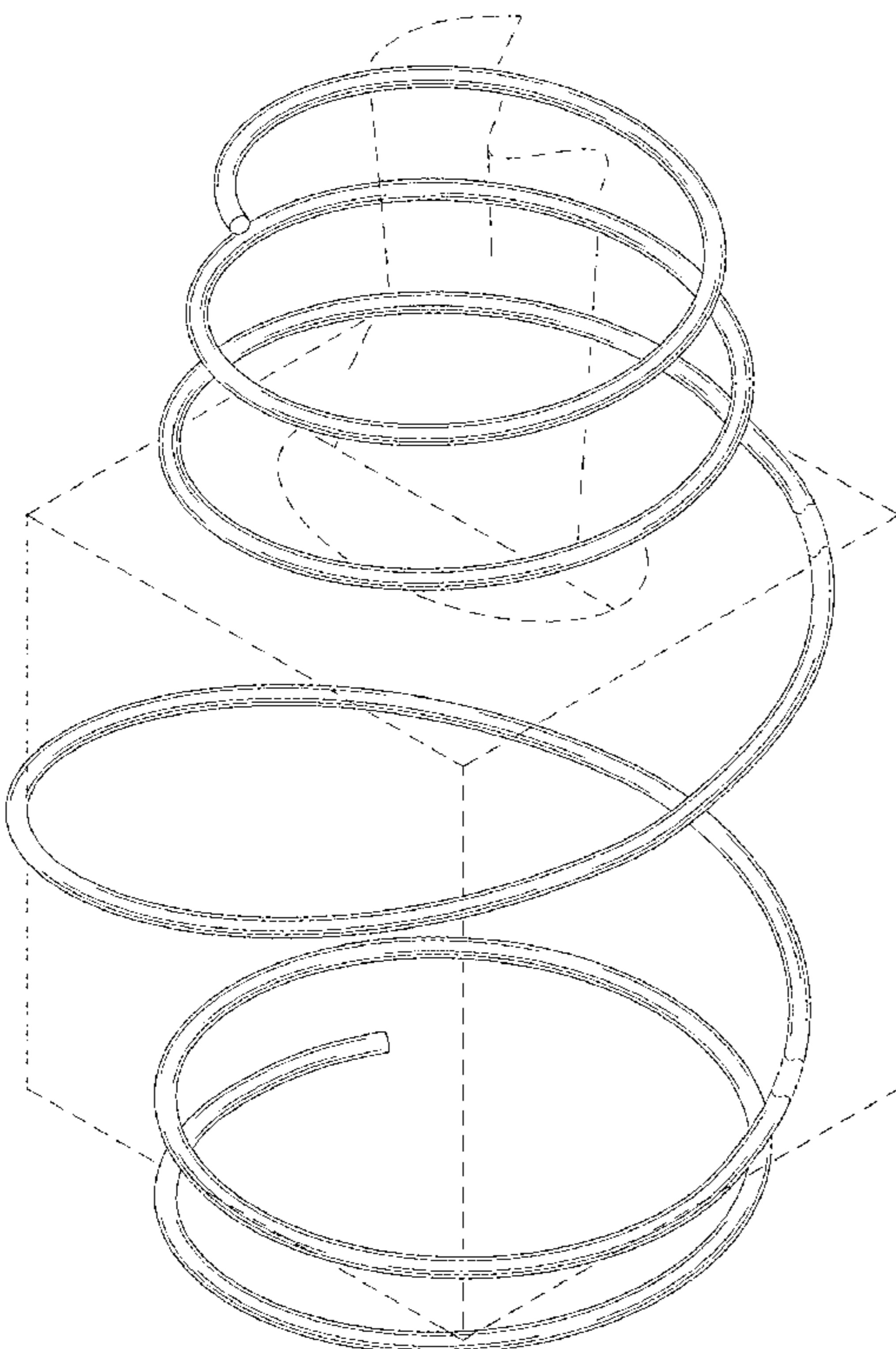
FIG. 7: is a top elevation view thereof; and,

FIG. 8: is a bottom elevation view thereof.

The evenly broken lines represent environment that form no part of the claimed design.

Portions of the apparatus are shown broken away and in dot-dash lines to indicate that it has no particular length other than what is shown.

1 Claim, 8 Drawing Sheets



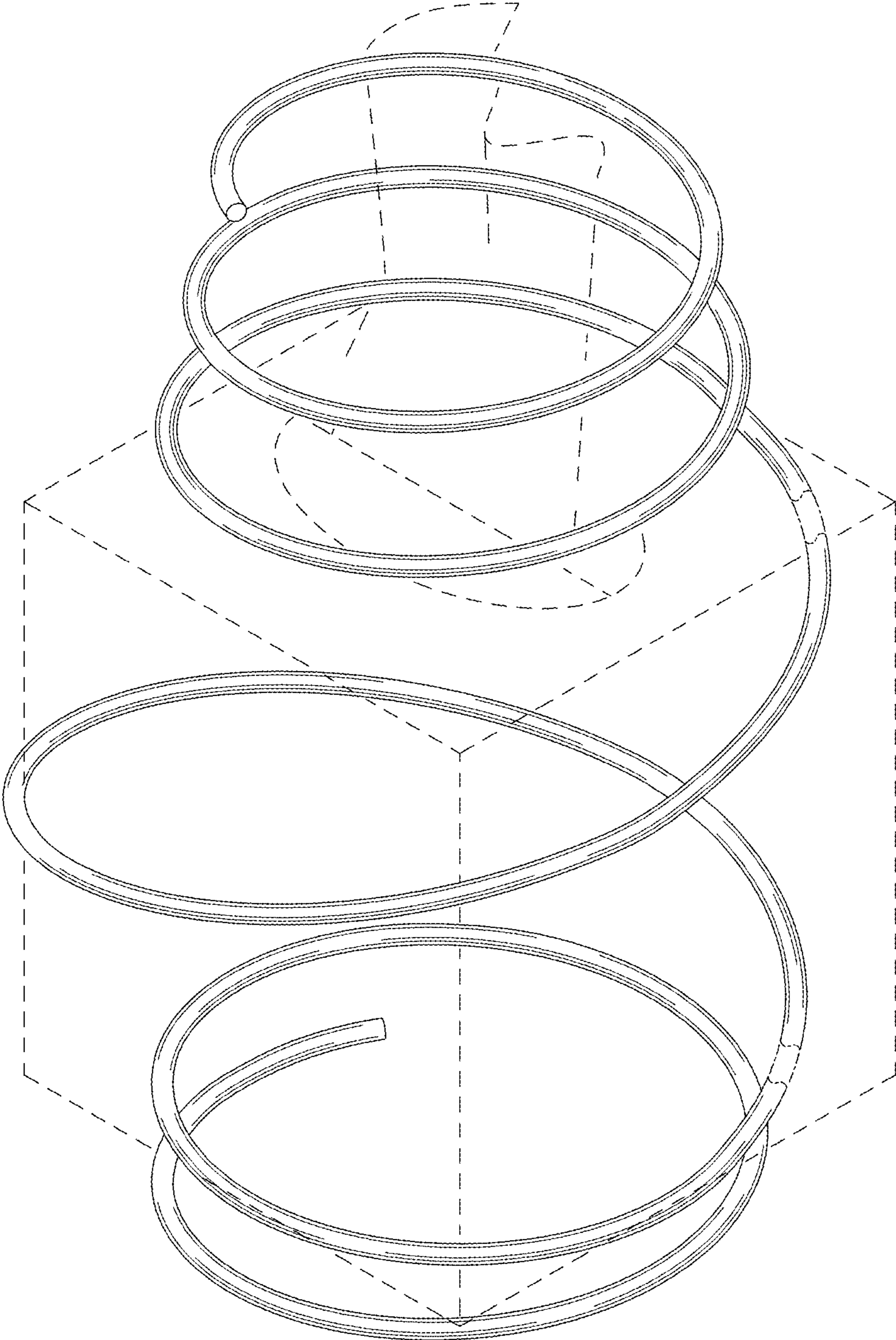


FIG. 1

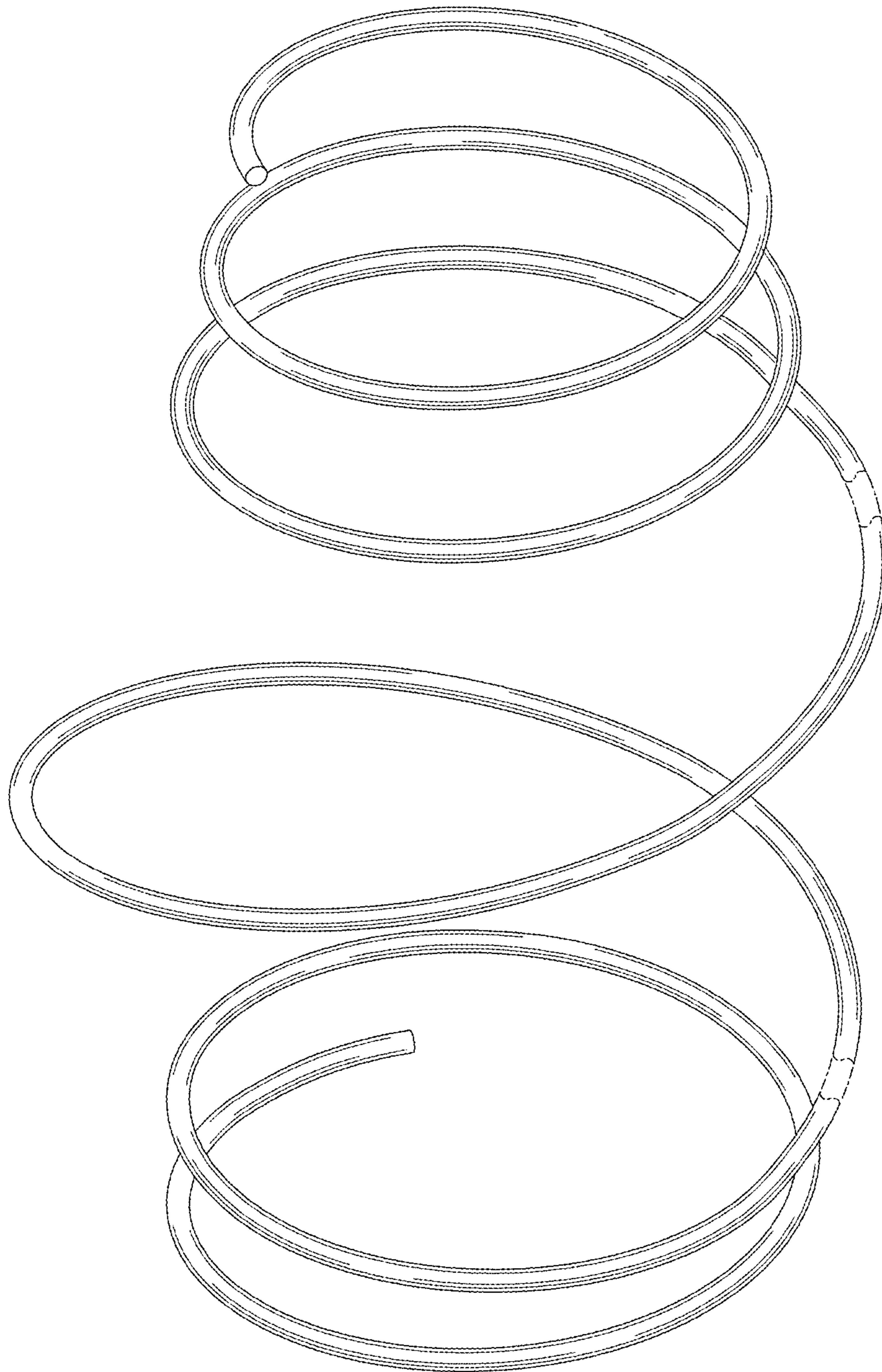


FIG.2

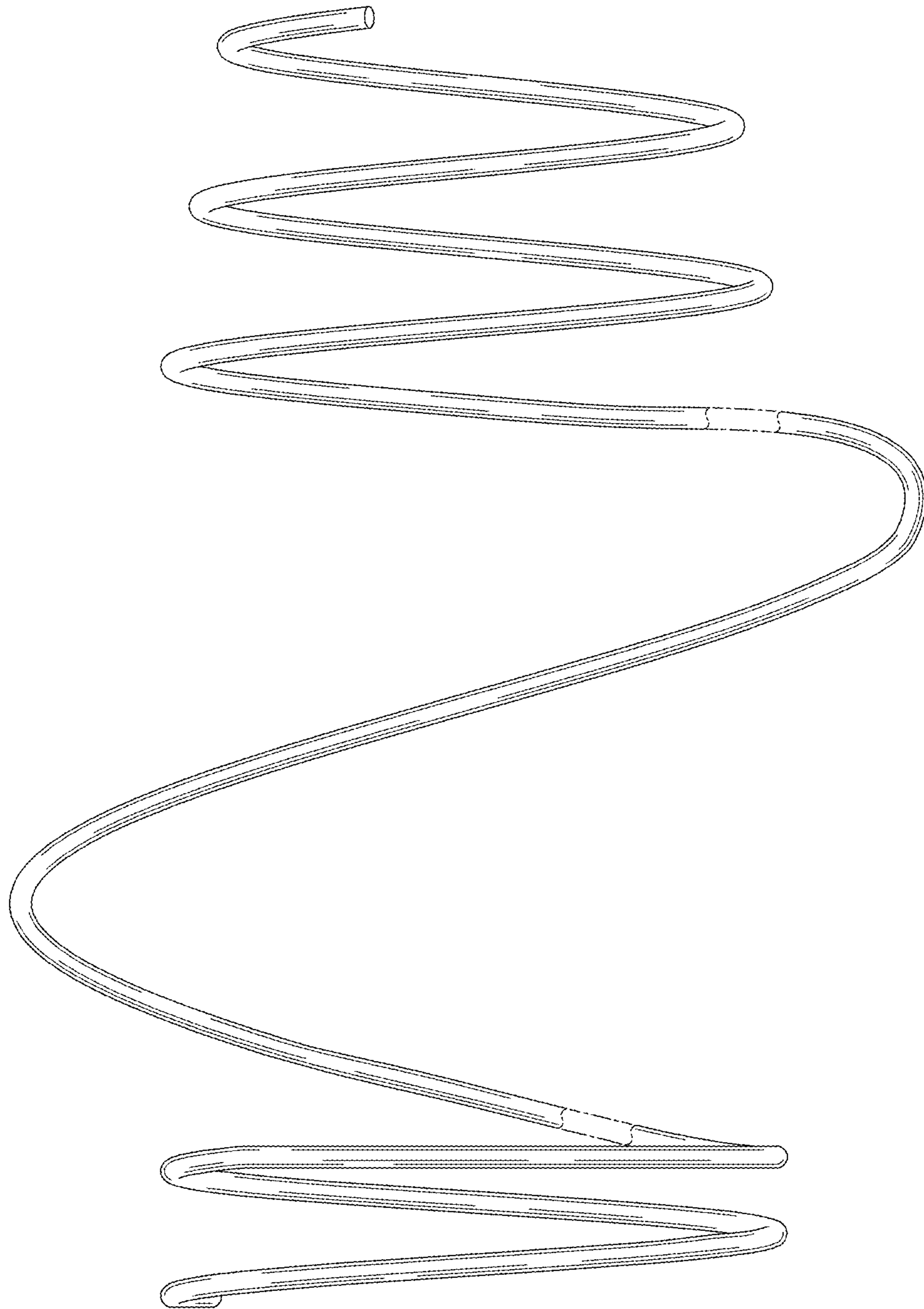


FIG.3

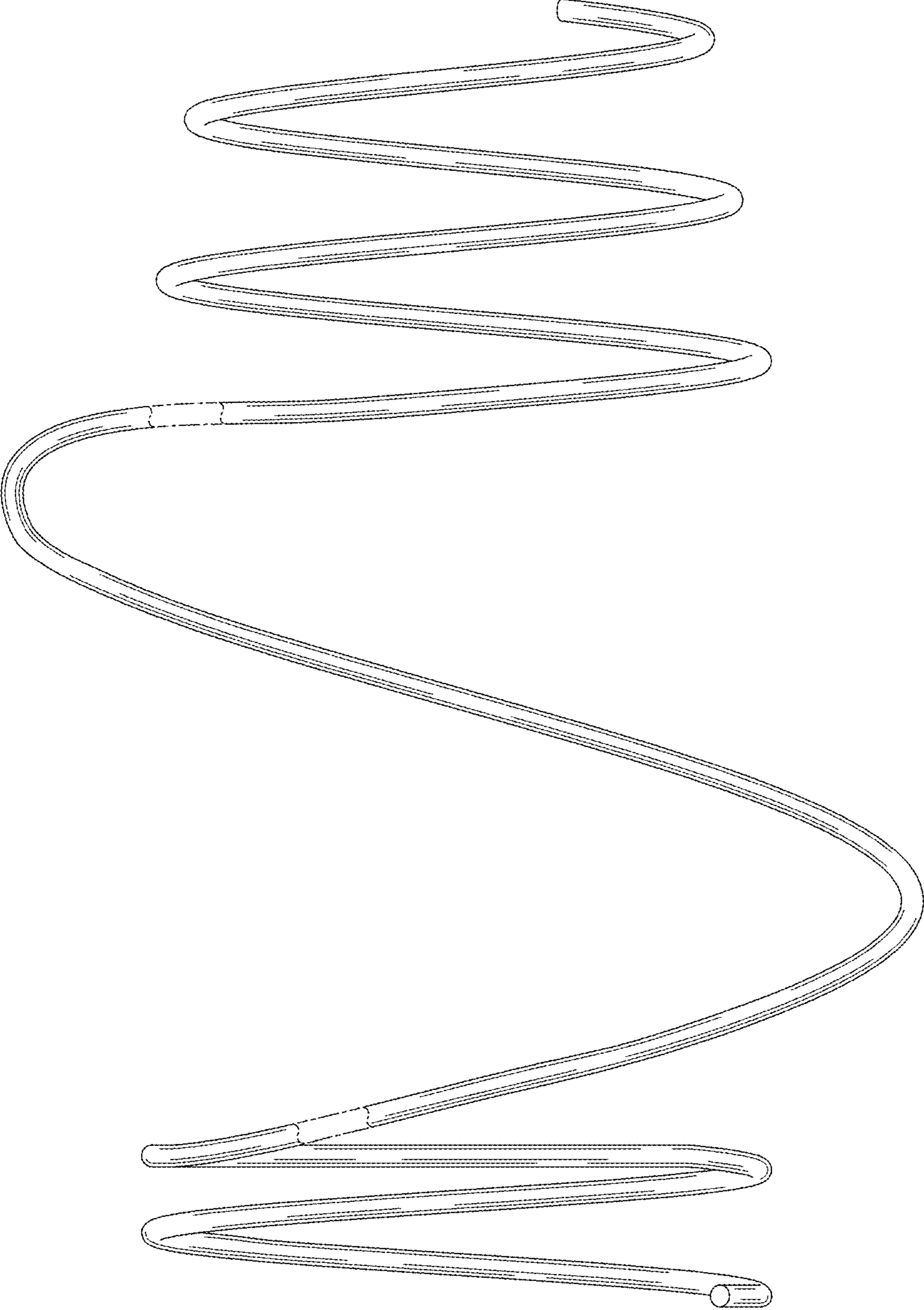


FIG. 4

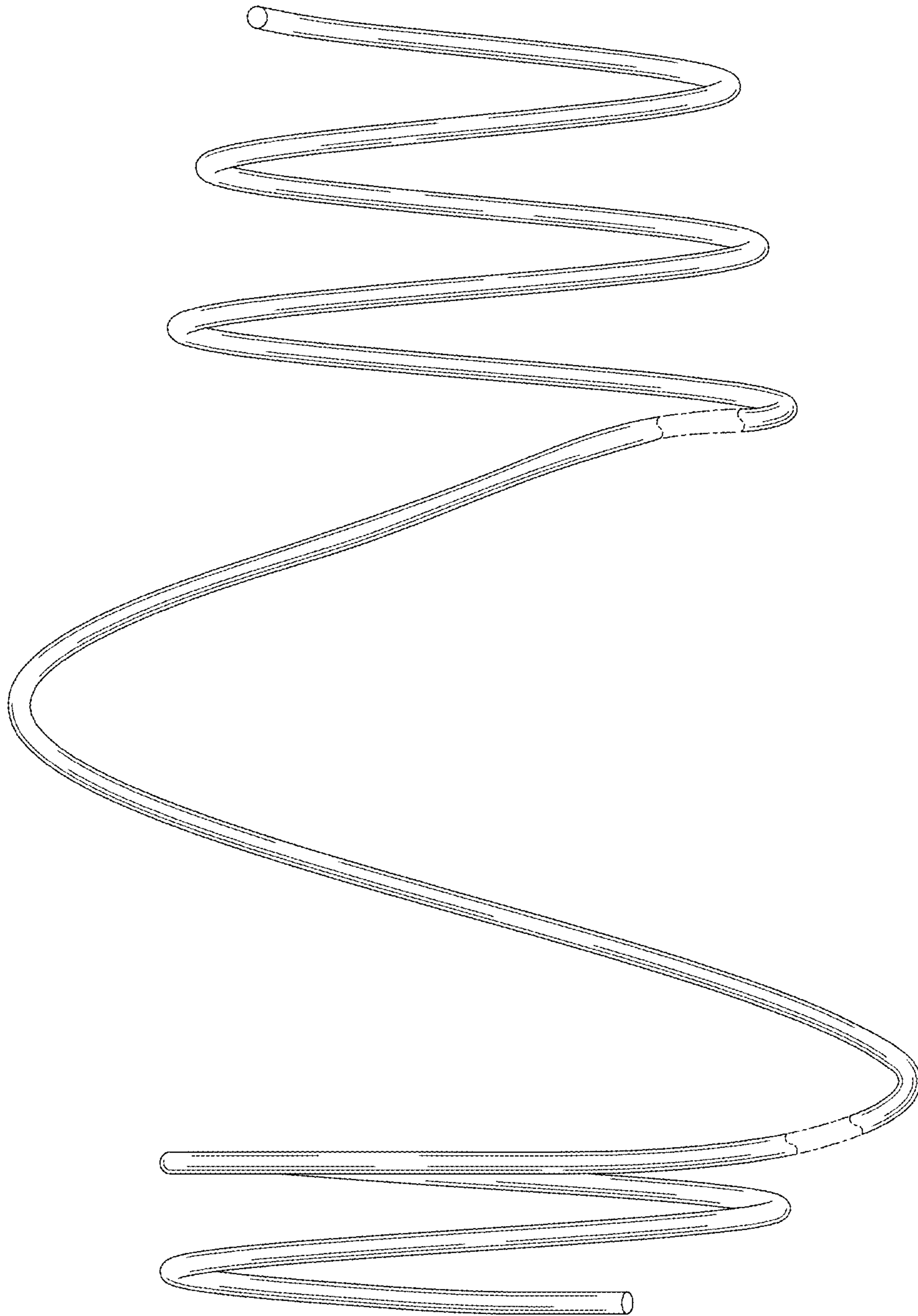


FIG.5

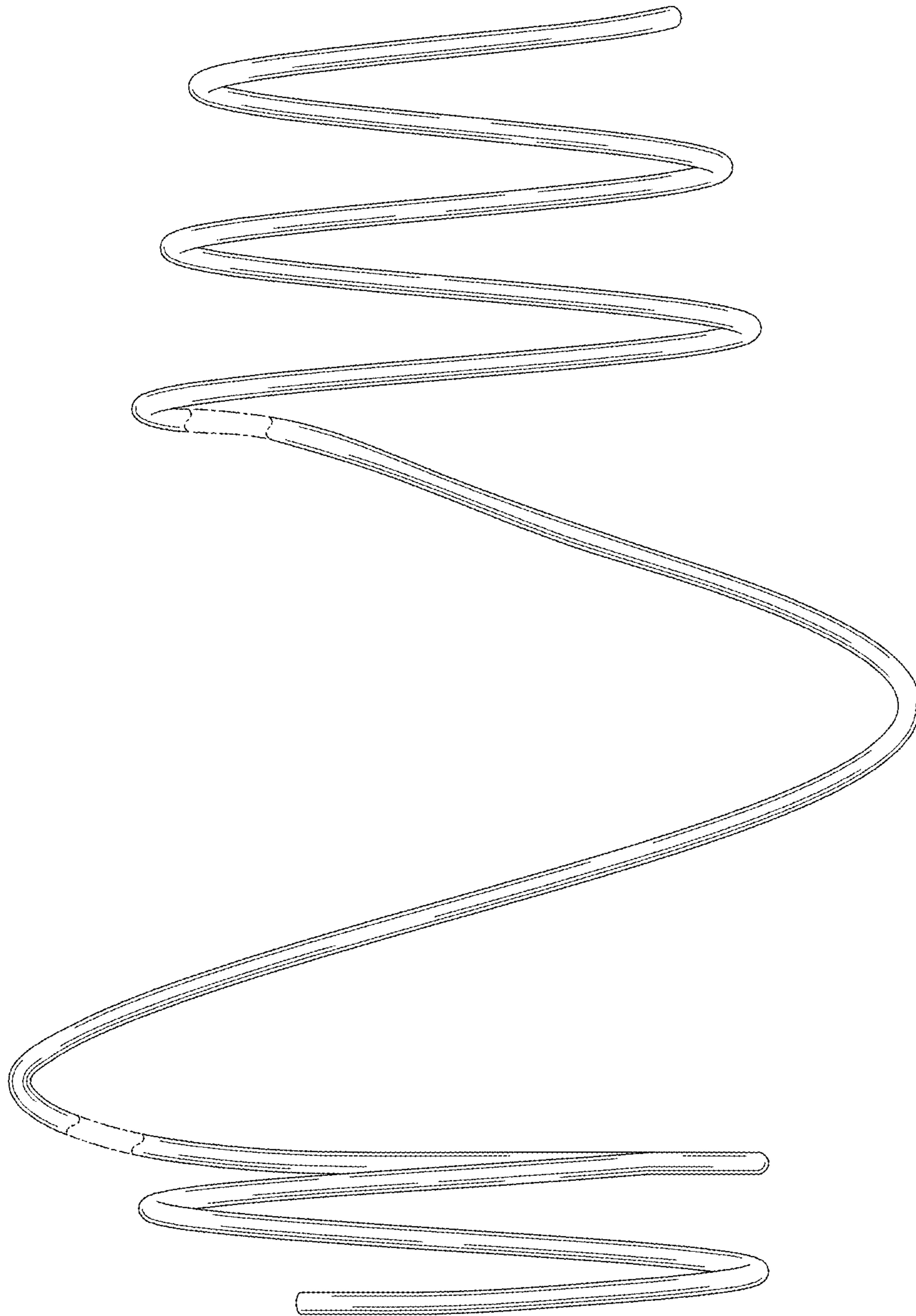


FIG.6

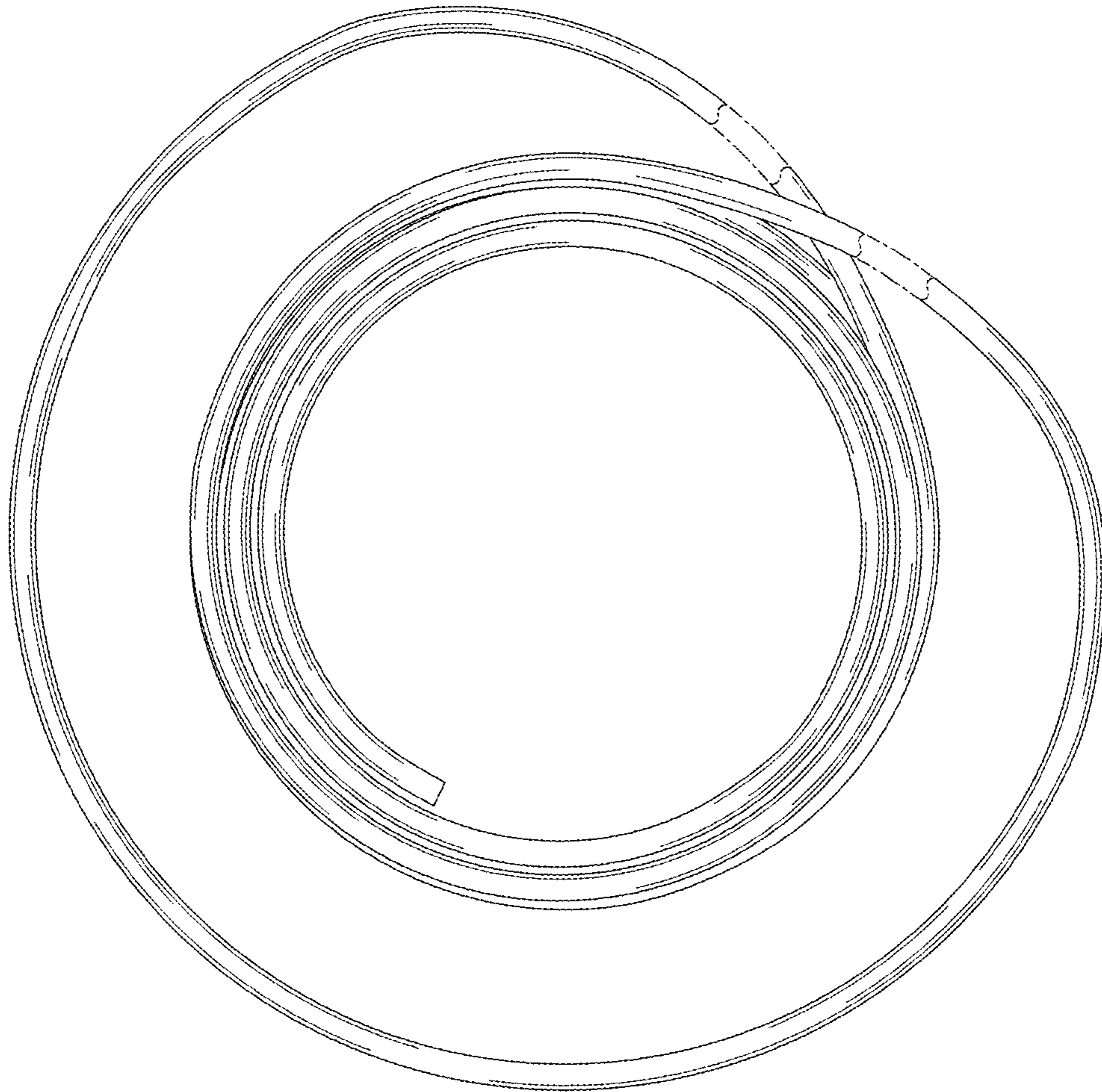


FIG. 7

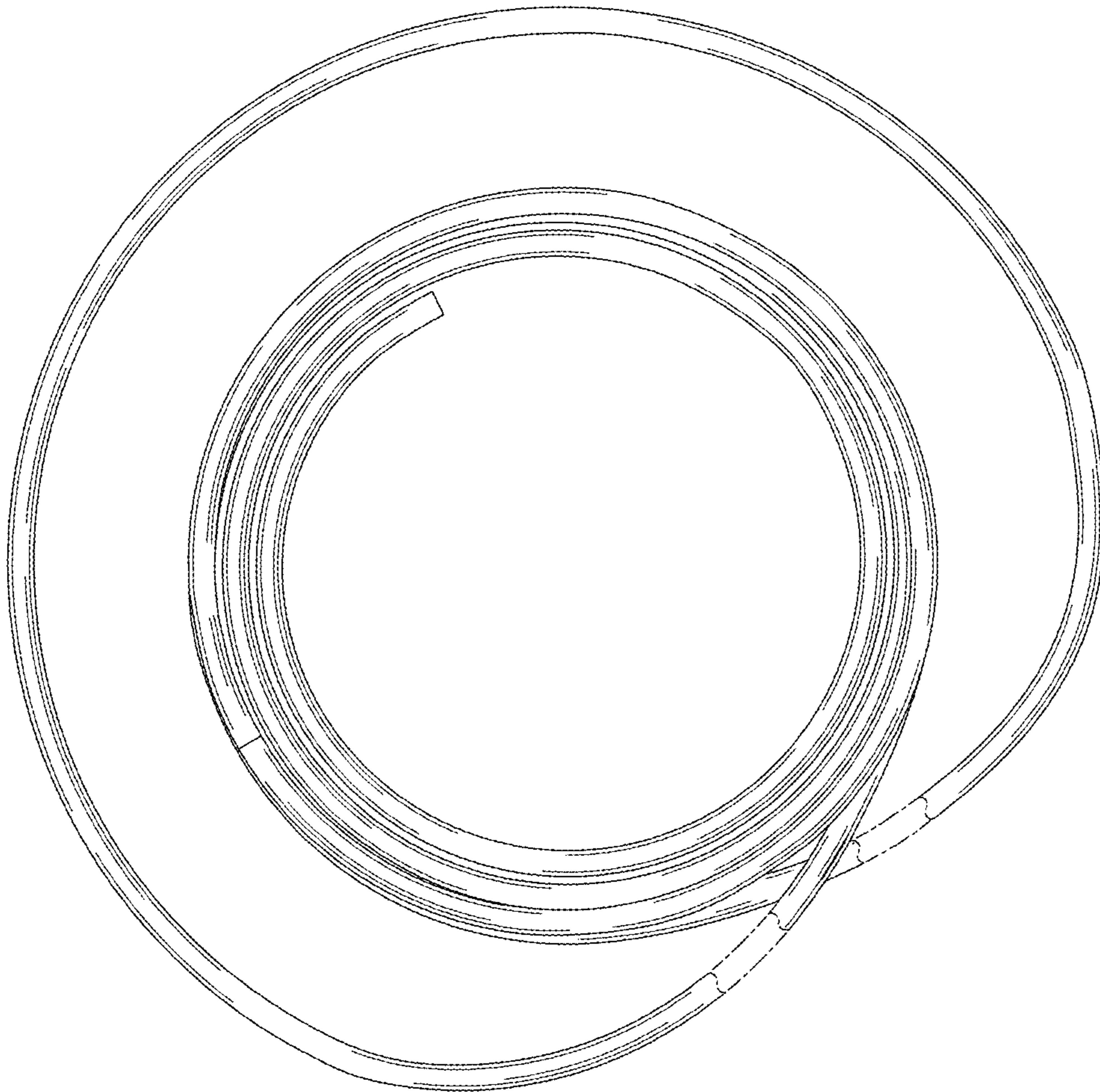


FIG.8