



US00D804094S

(12) **United States Design Patent** (10) **Patent No.:** **US D804,094 S**
Almsberger et al. (45) **Date of Patent:** **** Nov. 28, 2017**

(54) **CIGAR PUNCH CUTTER**

(71) Applicant: **Xikar, Inc.**, Kansas City, MO (US)

(72) Inventors: **Scott Almsberger**, Tonganoxie, KS (US); **Robert Lembke**, Overland Park, KS (US); **Greg Loret**, Kansas City, MO (US); **Kurt Van Keppel**, Leawood, KS (US)

(73) Assignee: **XIKAR, INC.**, Kansas City, MO (US)

(**) Term: **15 Years**

(21) Appl. No.: **29/581,988**

(22) Filed: **Oct. 24, 2016**

(51) **LOC (10) Cl.** **27-99**

(52) **U.S. Cl.**
USPC **D27/195**

(58) **Field of Classification Search**
USPC D27/195, 194, 193, 130, 149, 172, 183;
D8/33, 34, 98, 105; D11/3, 14, 184;
D3/207-211; D13/127, 123; 30/109,
30/111-113; 123/169 R, 169 ER,
123/169 EA; 131/243, 246, 248, 249,
131/250, 251, 252
CPC H01T 13/00; H01T 13/02; H01T 13/06;
A24F 13/24; A24F 15/12; A24F 15/18
See application file for complete search history.

(56) **References Cited**

U.S. PATENT DOCUMENTS

- 4,061,122 A * 12/1977 Edgar F02P 23/00
123/143 R
- 4,343,272 A * 8/1982 Buck F02B 7/06
123/143 R
- 5,113,806 A * 5/1992 Rodart F02B 47/02
123/143 B
- D407,067 S * 3/1999 Ekerson D13/127
- D410,109 S 5/1999 Van Keppel et al.
- 5,937,523 A 8/1999 Van Keppel et al.
- D494,136 S * 8/2004 Vesecky D13/127

- D569,034 S * 5/2008 Gutman D27/195
- D570,041 S * 5/2008 Smith D27/195
- D598,851 S * 8/2009 Jun D13/127

(Continued)

OTHER PUBLICATIONS

KIKAR Fall 2008 catalog, front and back cover, p. 20-21; published in the USA by XIKAR, Inc.

(Continued)

Primary Examiner — Susan Bennett Hattan
Assistant Examiner — Rebecca Tsehaye
(74) *Attorney, Agent, or Firm* — Erickson Kernell IP, LLC

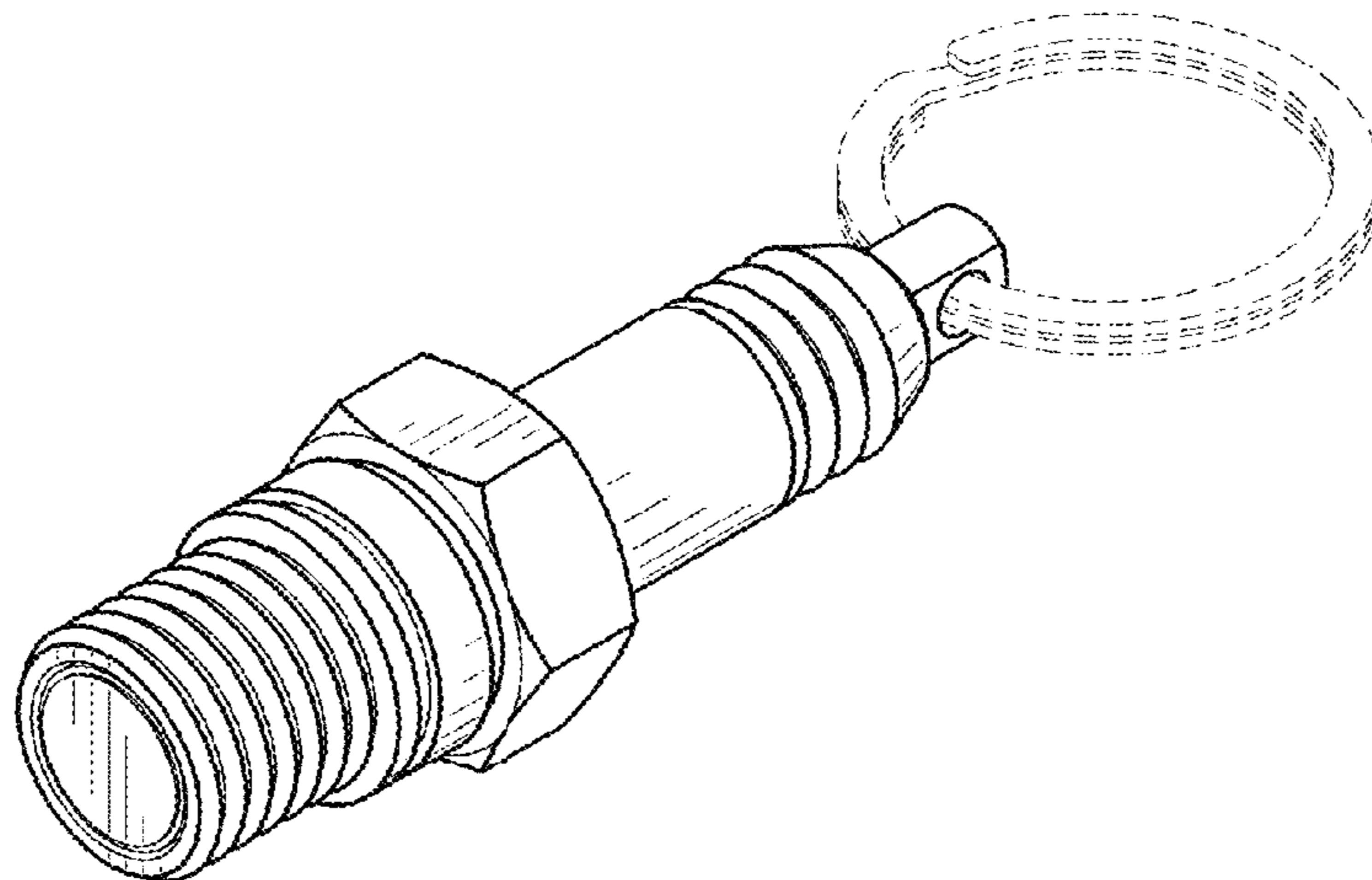
(57) **CLAIM**

The ornamental design for a cigar punch cutter, as shown and described.

DESCRIPTION

FIG. 1 is a perspective view of the punch cutter in accordance with the present invention, showing the blade withdrawn;
FIG. 2 is a perspective view of the punch cutter, showing the blade extended;
FIG. 3 is a front elevation view of the punch cutter shown in FIG. 1;
FIG. 4 is a rear elevation view of the punch cutter shown in FIG. 1;
FIG. 5 is a right side elevation view of the punch cutter shown in FIG. 1;
FIG. 6 is a left side elevation view of the punch cutter shown in FIG. 1;
FIG. 7 is a top plan view of the punch cutter shown in FIG. 1; and,
FIG. 8 is a bottom plan view of the punch cutter shown in FIG. 1.
The broken lines in the drawings depict portions of the punch cutter that form no part of the claimed design.

1 Claim, 4 Drawing Sheets



(56)

References Cited

U.S. PATENT DOCUMENTS

D607,546 S * 1/2010 Forsythe D23/262
D644,361 S * 8/2011 McCoy D13/127
D657,807 S * 4/2012 Frazier D15/139
D703,713 S * 4/2014 Frazier D15/139
D757,359 S 5/2016 Van Keppel et al.
D765,746 S * 9/2016 Johnston D15/128
D794,573 S * 8/2017 Tateishi D13/147

OTHER PUBLICATIONS

KIKAR Fall 2012 catalog, front and back cover, p. 1-6, 13, 22, 24;
published in the USA by XIKAR, Inc.
KIKAR Fall 2013 catalog, front and back cover, p. 1-2, 6, 10;
published in the USA by XIKAR, Inc.

* cited by examiner

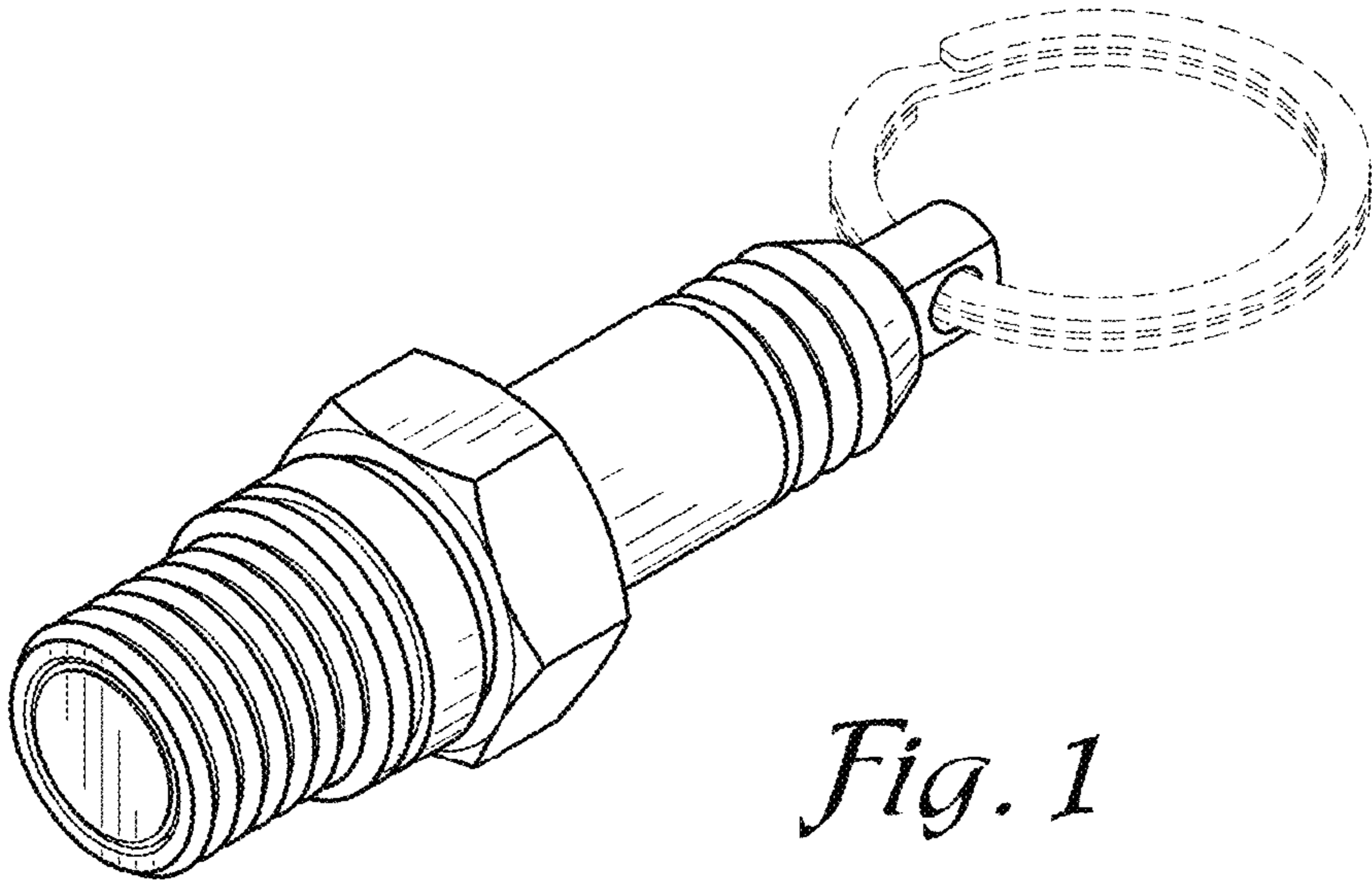


Fig. 1

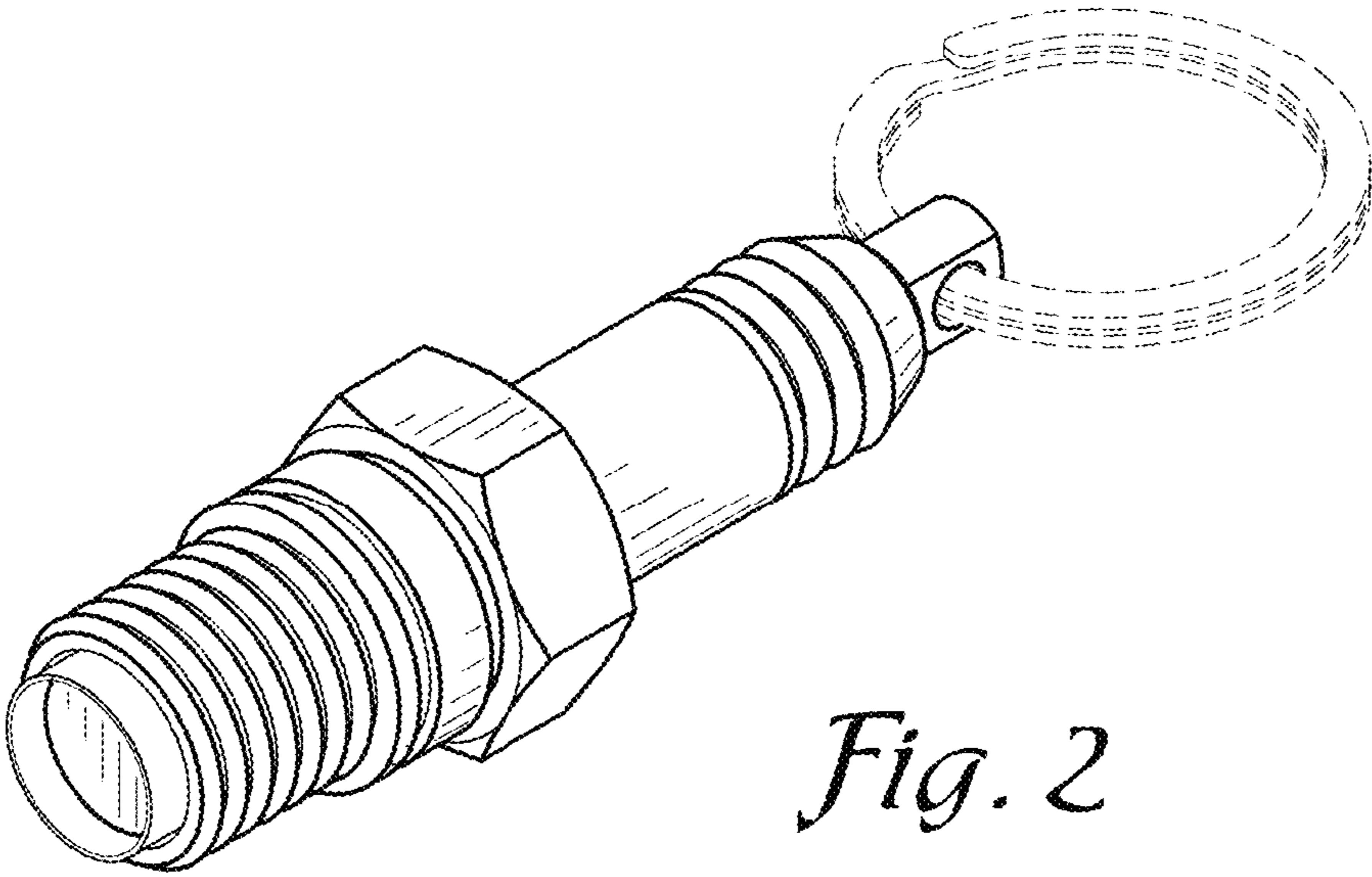


Fig. 2

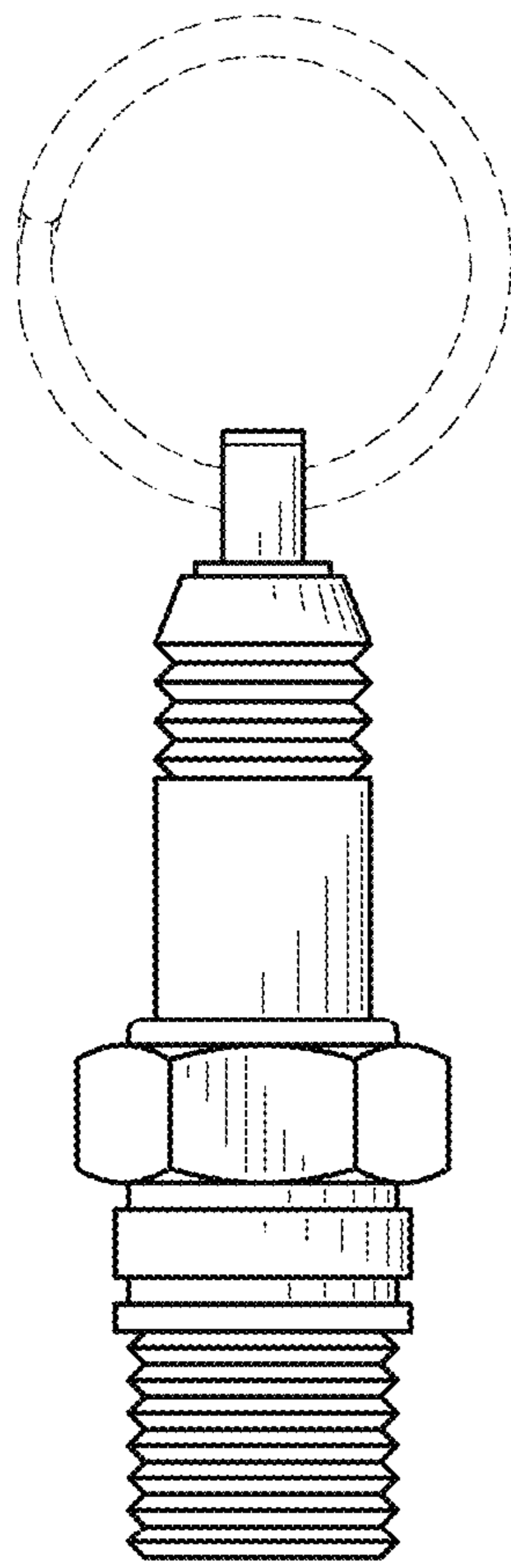


Fig. 3

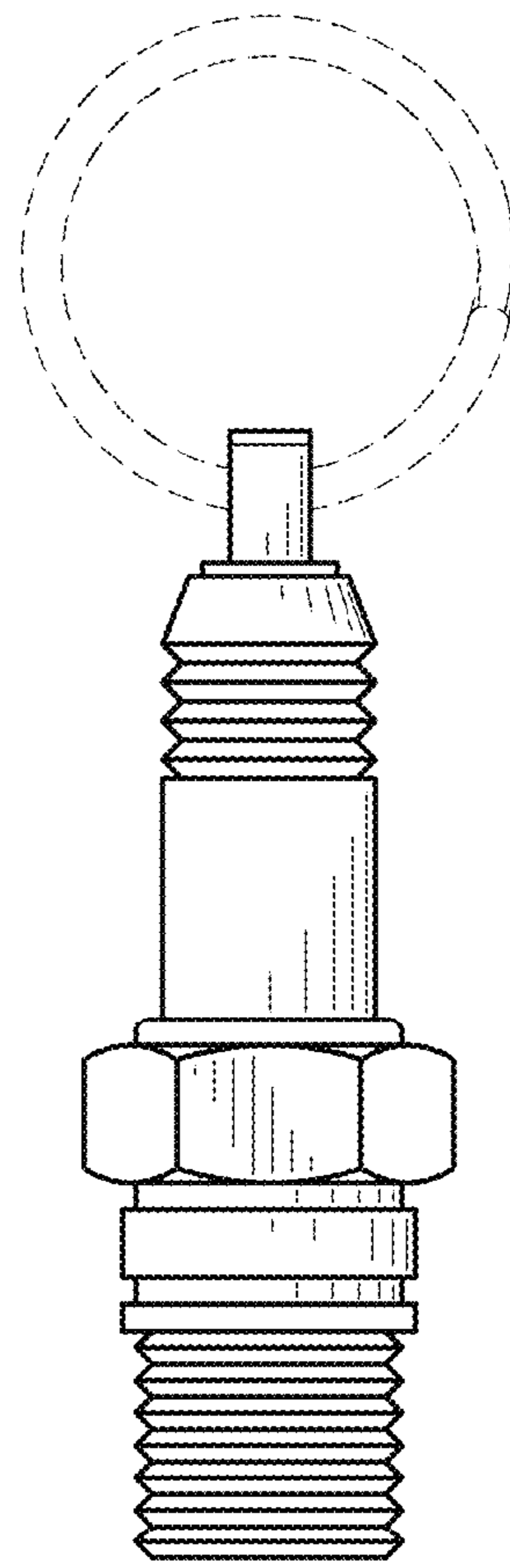


Fig. 4

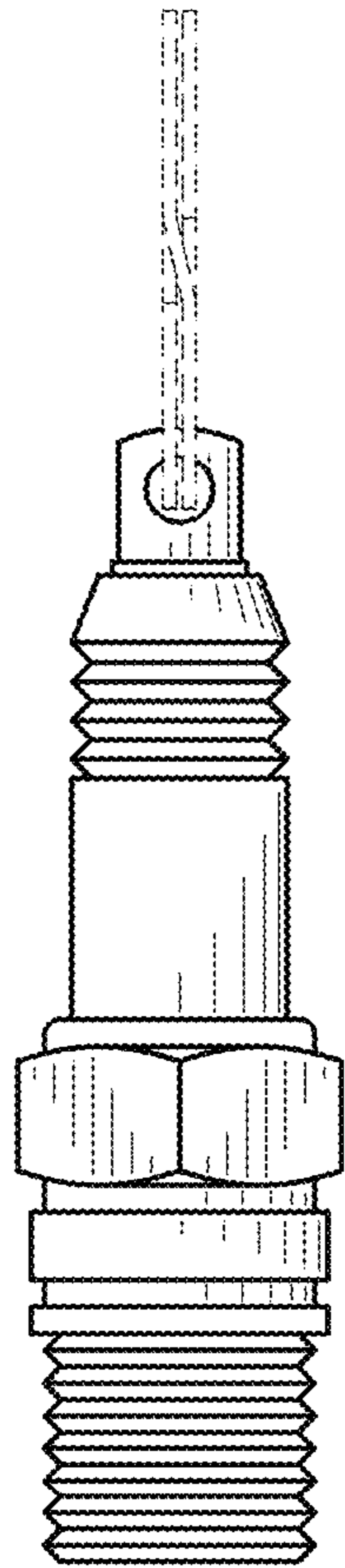


Fig. 5

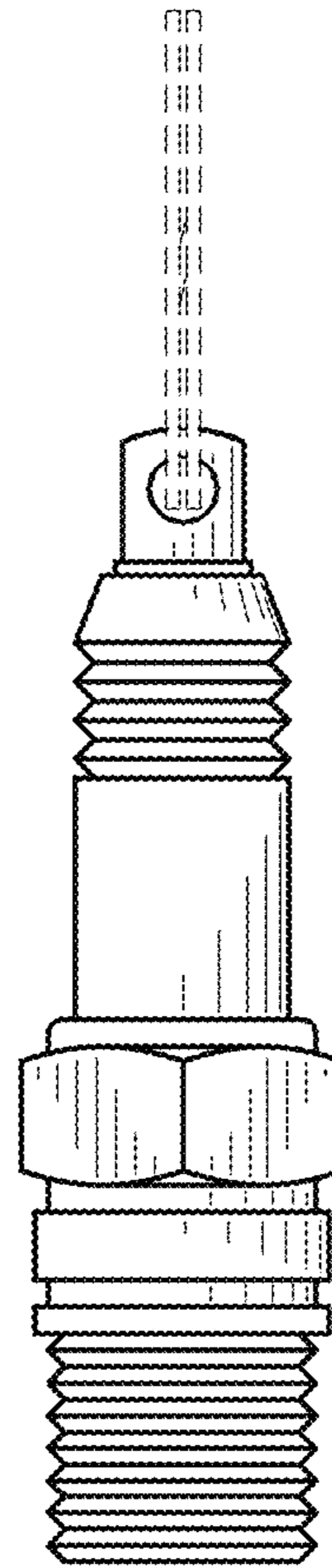


Fig. 6

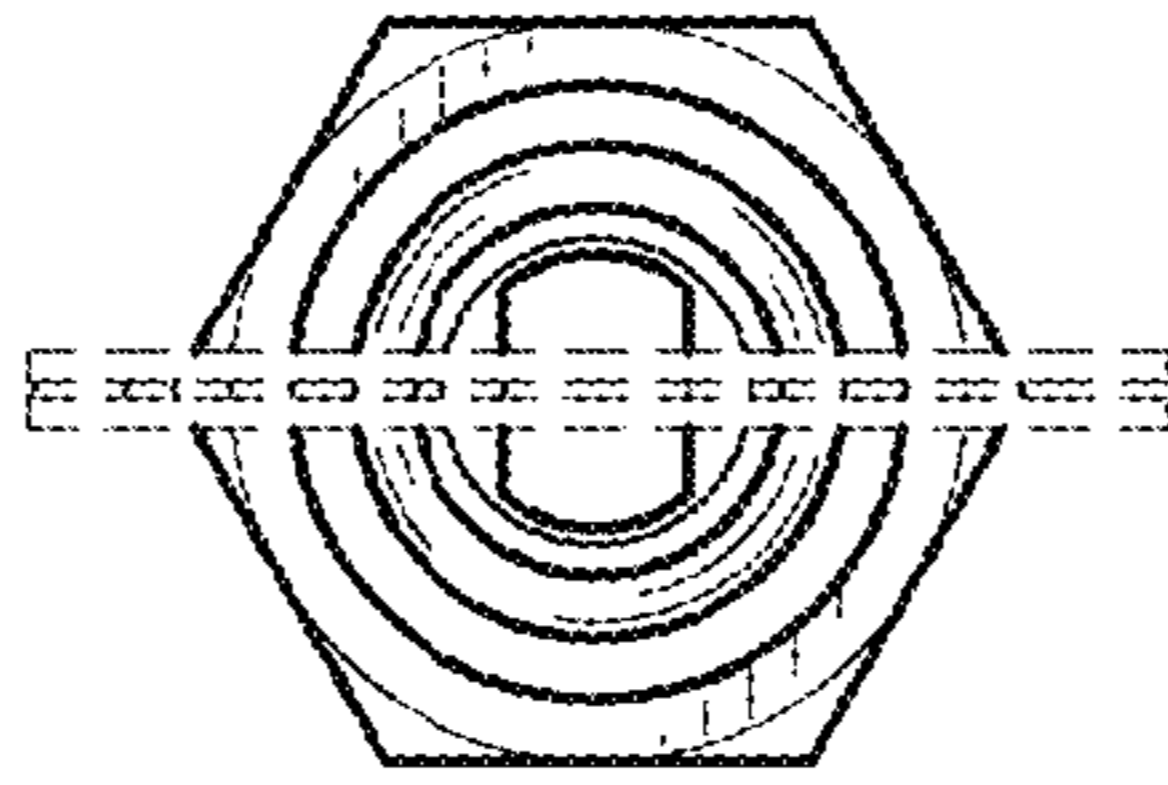


Fig. 7

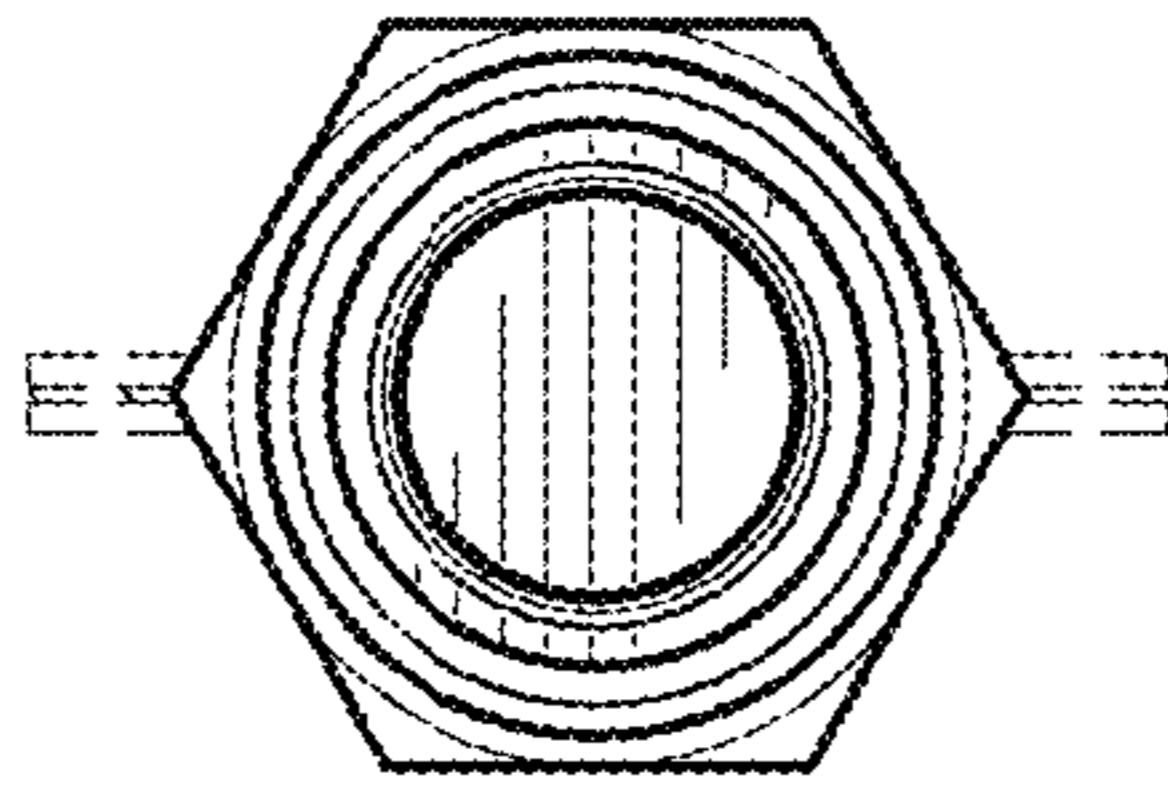


Fig. 8