



US00D804093S

(12) **United States Design Patent**
Chen

(10) **Patent No.:** **US D804,093 S**

(45) **Date of Patent:** **** Nov. 28, 2017**

(54) **CIGARETTE GRINDER**

(71) Applicant: **SHENZHEN SMISS TECHNOLOGY CO., LTD**, Shenzhen, Guangdong (CN)

(72) Inventor: **Jiatai Chen**, Guangdong (CN)

(73) Assignee: **SHENZHEN SMISS TECHNOLOGY CO., LTD**, Shenzhen (CN)

(**) Term: **15 Years**

(21) Appl. No.: **29/534,108**

(22) Filed: **Jul. 27, 2015**

(51) **LOC (10) Cl.** **27-99**

(52) **U.S. Cl.**

USPC **D27/195**; D27/194

(58) **Field of Classification Search**

USPC D27/100, 101, 162, 163-169, 172, 175,
D27/186, 189, 193, 194, 195, 136, 137,
D27/138; D8/98; D7/693, 372

CPC A24F 13/24; A24F 5/00; A24F 7/02; A24F
3/00; A24F 47/002; A24F 15/12; A24F
15/18; A24F 47/008; A24C 5/02; B02C
18/08

See application file for complete search history.

(56) **References Cited**

U.S. PATENT DOCUMENTS

D378,653 S *	4/1997	Richardi	D7/679
D474,378 S *	5/2003	Brandenburg	D7/679
D634,989 S *	3/2011	Griffin	D7/693
D635,413 S *	4/2011	Griffin	D7/693
8,220,732 B2 *	7/2012	Griffin	A47J 43/04 241/169.1

(Continued)

Primary Examiner — Robert M Spear

Assistant Examiner — Marissa J Cash

(57) **CLAIM**

The ornamental design for a cigarette grinder, as shown and described.

DESCRIPTION

FIG. 1 is a first perspective view of a cigarette grinder showing my new design;

FIG. 2 is a second perspective view thereof;

FIG. 3 is a third perspective view thereof;

FIG. 4 is a first exploded view thereof;

FIG. 5 is a second exploded view thereof;

FIG. 6 is a first perspective view a first element removed from the cigarette grinder, shown removed from the grinder for clarity of disclosure;

FIG. 7 is a second perspective view of FIG. 6;

FIG. 8 is a front elevation view of FIG. 6;

FIG. 9 is a first perspective view of a second element removed from the cigarette grinder, shown removed from the grinder for clarity of disclosure;

FIG. 10 is a second perspective view of FIG. 9;

FIG. 11 is a third perspective view of FIG. 9;

FIG. 12 is a front elevation view of FIG. 9;

FIG. 13 is a rear elevation view of FIG. 9;

FIG. 14 is a first perspective view of a third element removed from the cigarette grinder, shown removed from the grinder for clarity of disclosure;

FIG. 15 is a second perspective view of FIG. 14;

FIG. 16 is a third perspective view of FIG. 14;

FIG. 17 is a fourth perspective view of FIG. 14;

FIG. 18 is a fifth perspective view of FIG. 14;

FIG. 19 is a front elevation view of FIG. 14;

FIG. 20 is a rear elevation view of FIG. 14;

FIG. 21 is a first perspective view of a fourth element removed from the cigarette grinder, shown removed from the grinder for clarity of disclosure;

FIG. 22 is a second perspective view of FIG. 21;

FIG. 23 is a third perspective view of FIG. 21;

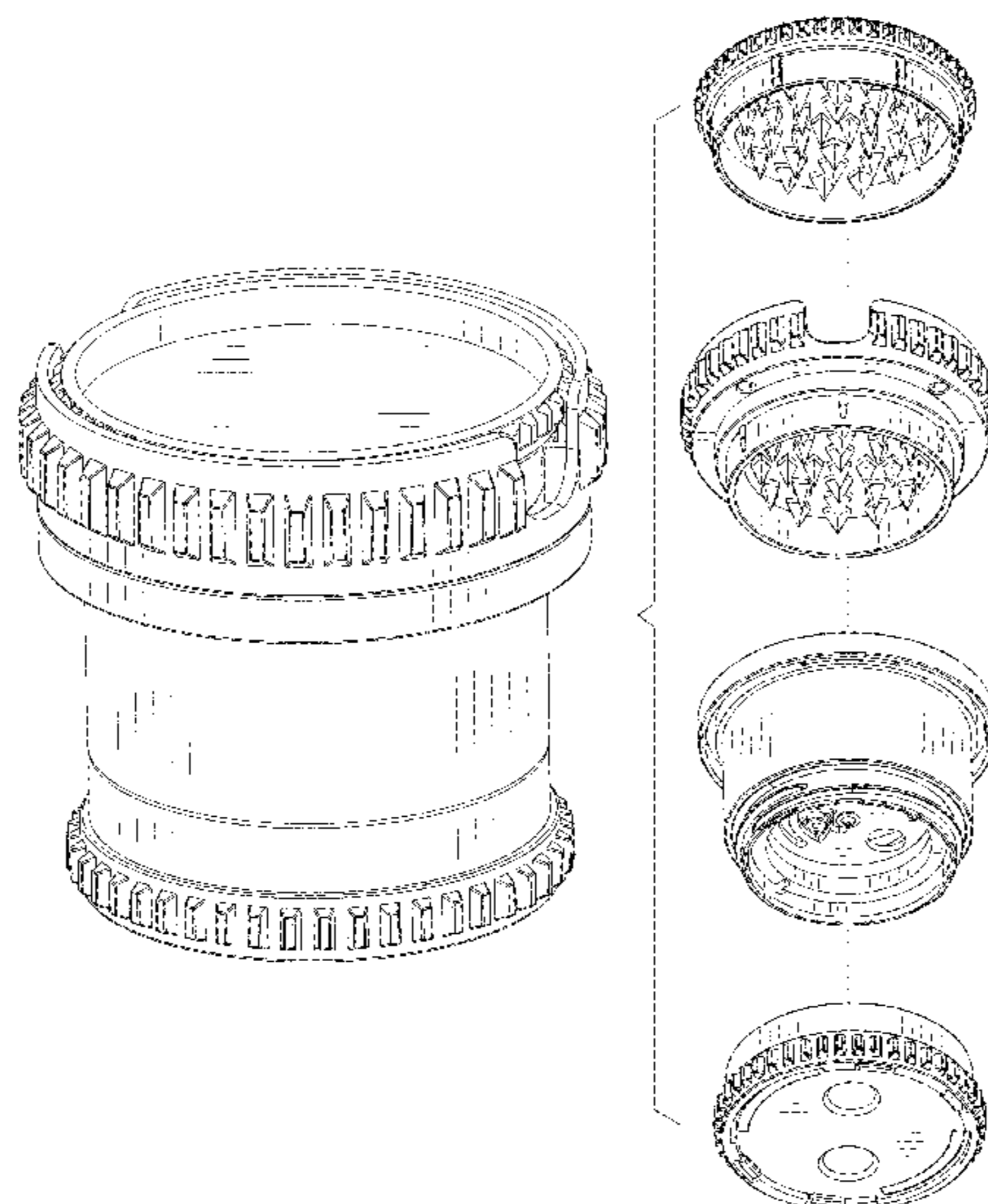
FIG. 24 is a fourth perspective view of FIG. 21;

FIG. 25 is a fifth perspective view of FIG. 21;

FIG. 26 is a front elevation view of FIG. 21; and,

FIG. 27 is a rear elevation view of FIG. 21.

1 Claim, 27 Drawing Sheets



(56)

References Cited

U.S. PATENT DOCUMENTS

D689,347 S * 9/2013 Hainbach D7/693
D714,595 S * 10/2014 Ducey D7/372
D731,865 S * 6/2015 Griffin D7/372
D737,503 S * 8/2015 Now D27/172
D739,075 S * 9/2015 Grumbacher D27/195
D739,076 S * 9/2015 Grumbacher D27/195
D745,212 S * 12/2015 Bahbah D27/162
D747,037 S * 1/2016 Spielman B02C 18/144
D27/194
9,241,597 B2 * 1/2016 Dukat A47J 42/14
D755,022 S * 5/2016 Dukat D7/372
D759,438 S * 6/2016 Dukat D7/372
D760,430 S * 6/2016 Hanna D27/162
D762,090 S * 7/2016 Grumbacher D7/679
D762,091 S * 7/2016 Grumbacher D7/679
9,505,009 B1 * 11/2016 Wein B02C 18/186
2012/0097774 A1 * 4/2012 Hainbach A47J 42/14
241/101.2
2012/0168544 A1 * 7/2012 Chaoui B02C 18/08
241/68
2014/0138465 A1 * 5/2014 Yen A47J 42/14
241/69
2015/0298136 A1 * 10/2015 Dukat A47J 42/14
241/24.1
2016/0100715 A1 * 4/2016 Staiano A47J 42/34
241/79
2016/0128513 A1 * 5/2016 Chan A47J 42/34
241/28

* cited by examiner

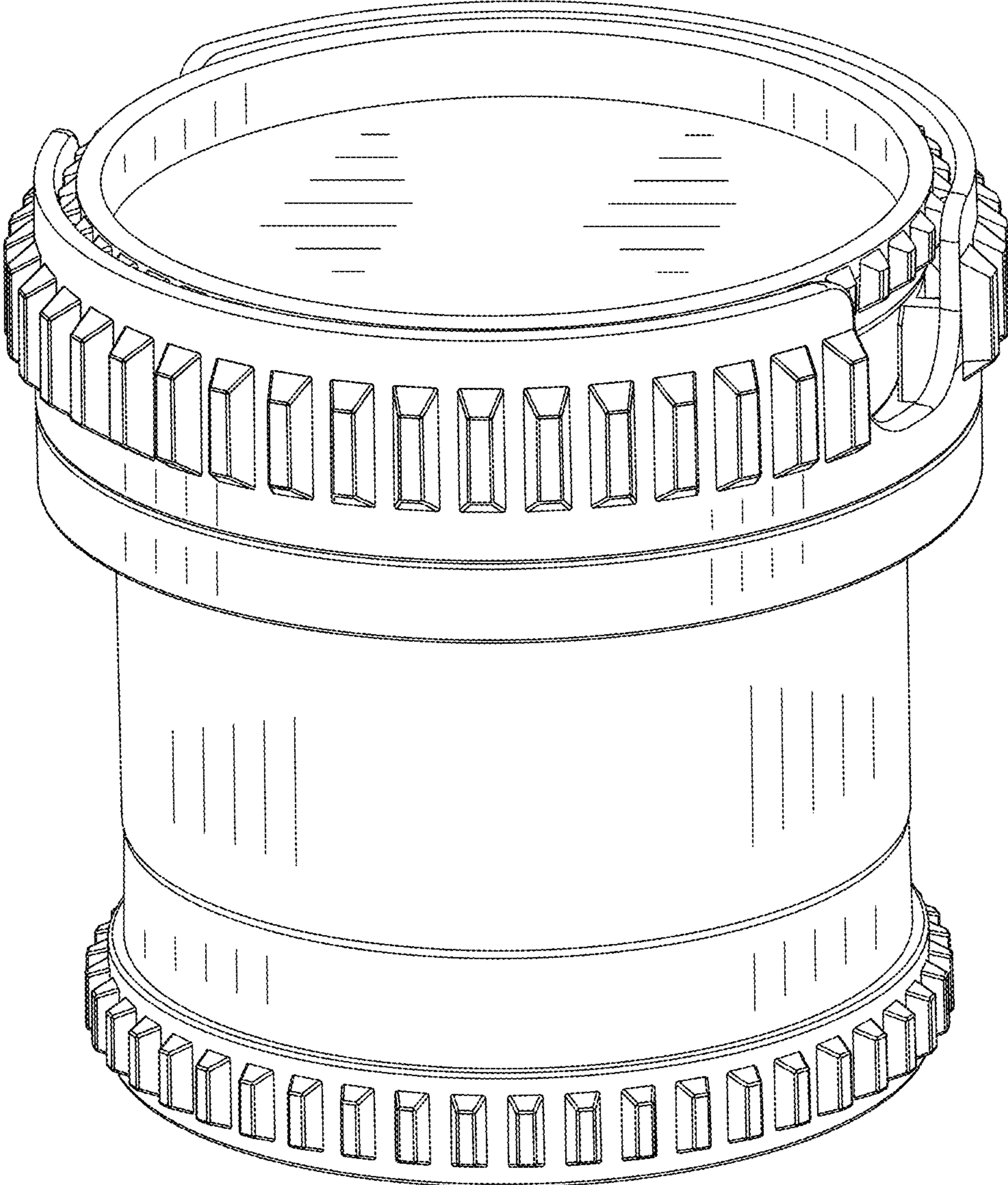


Fig. 1

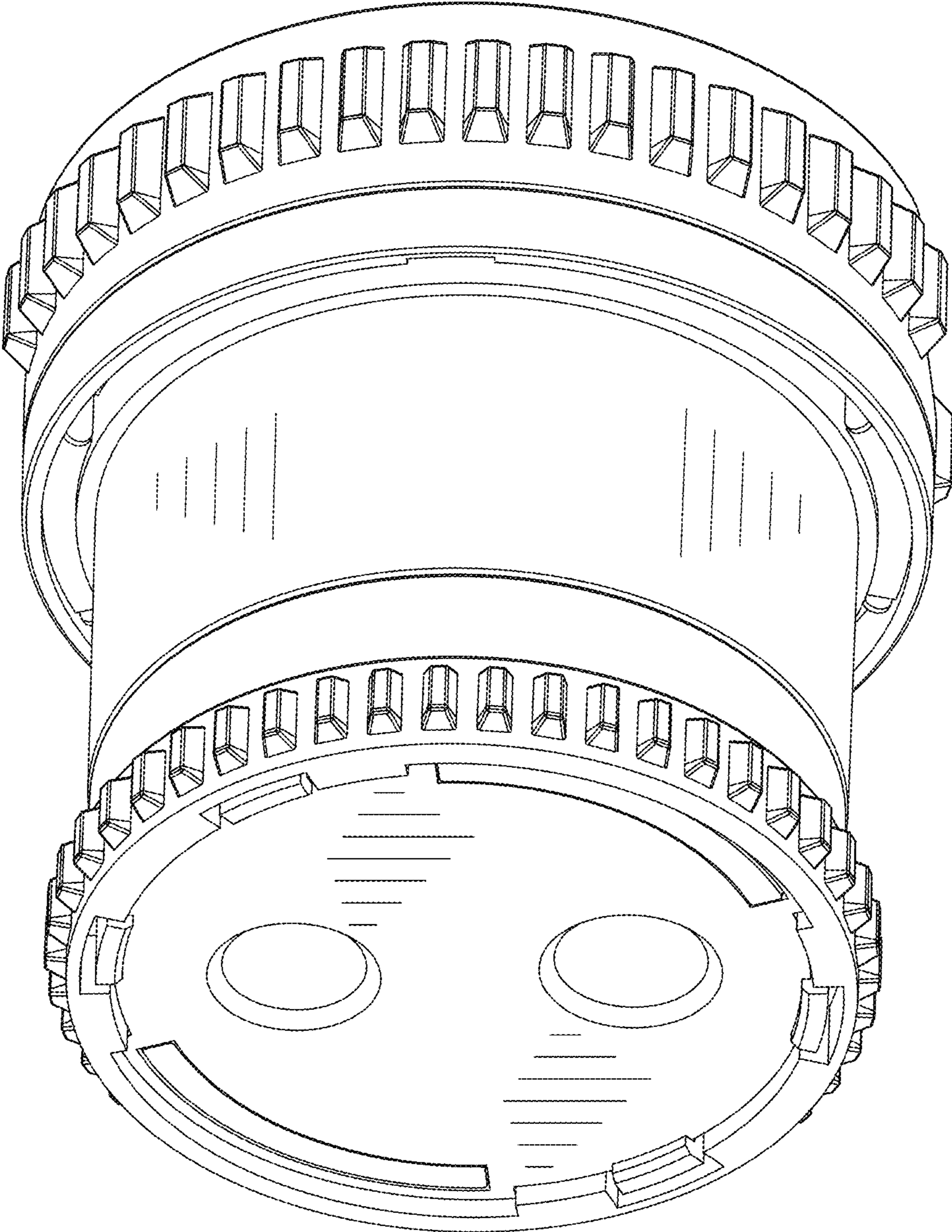


Fig. 2

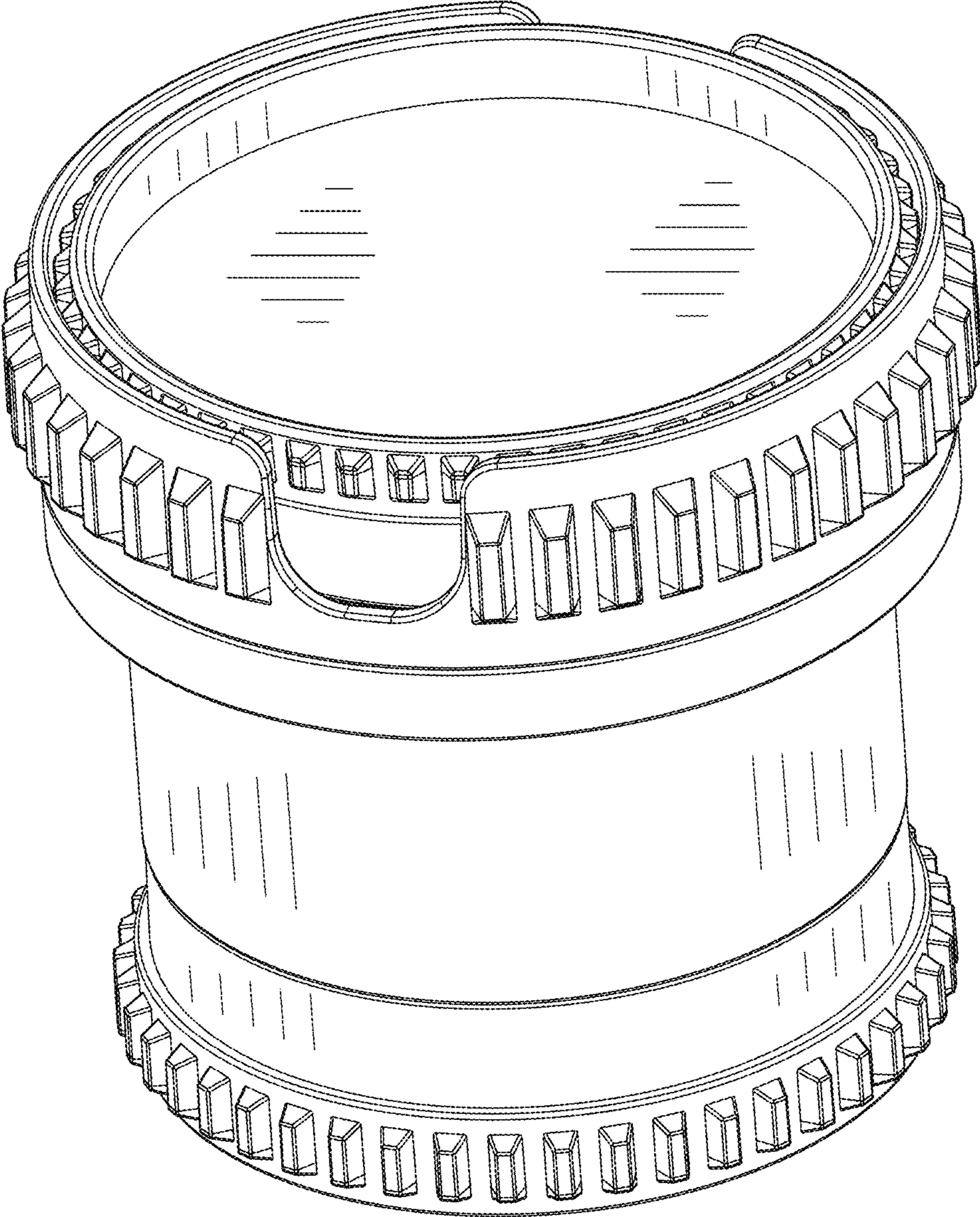


Fig. 3

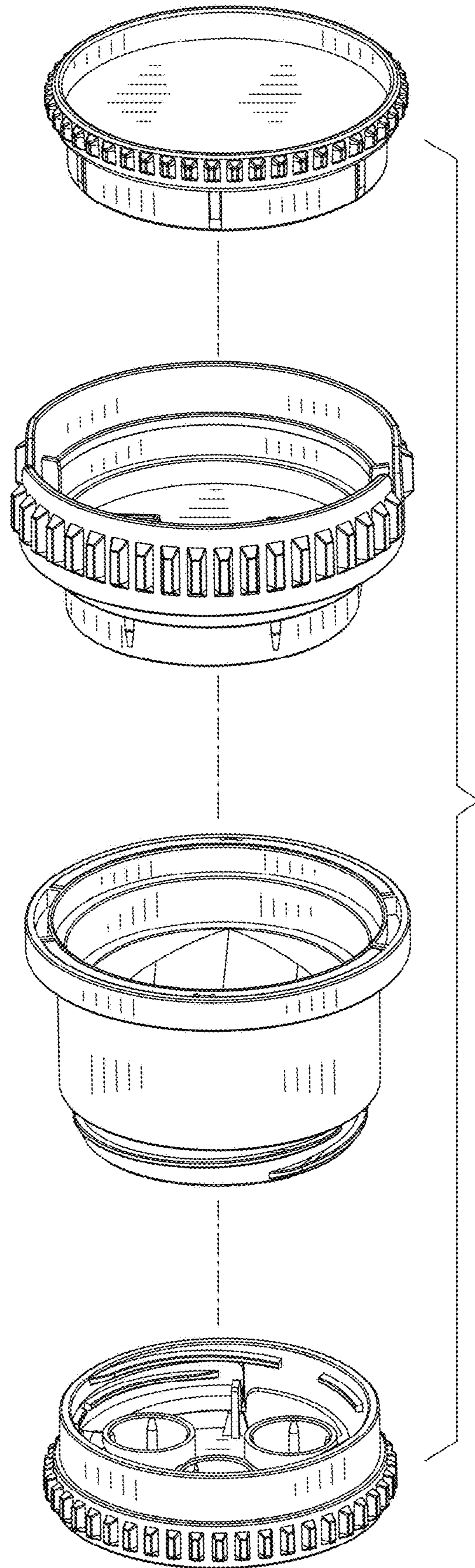


Fig. 4

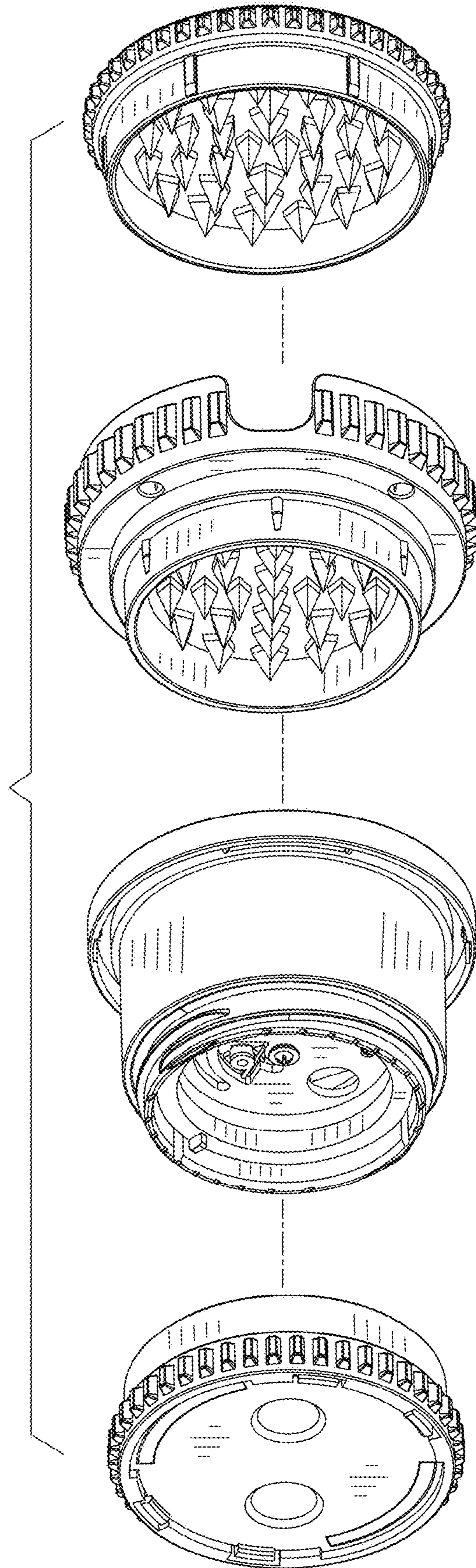


Fig. 5

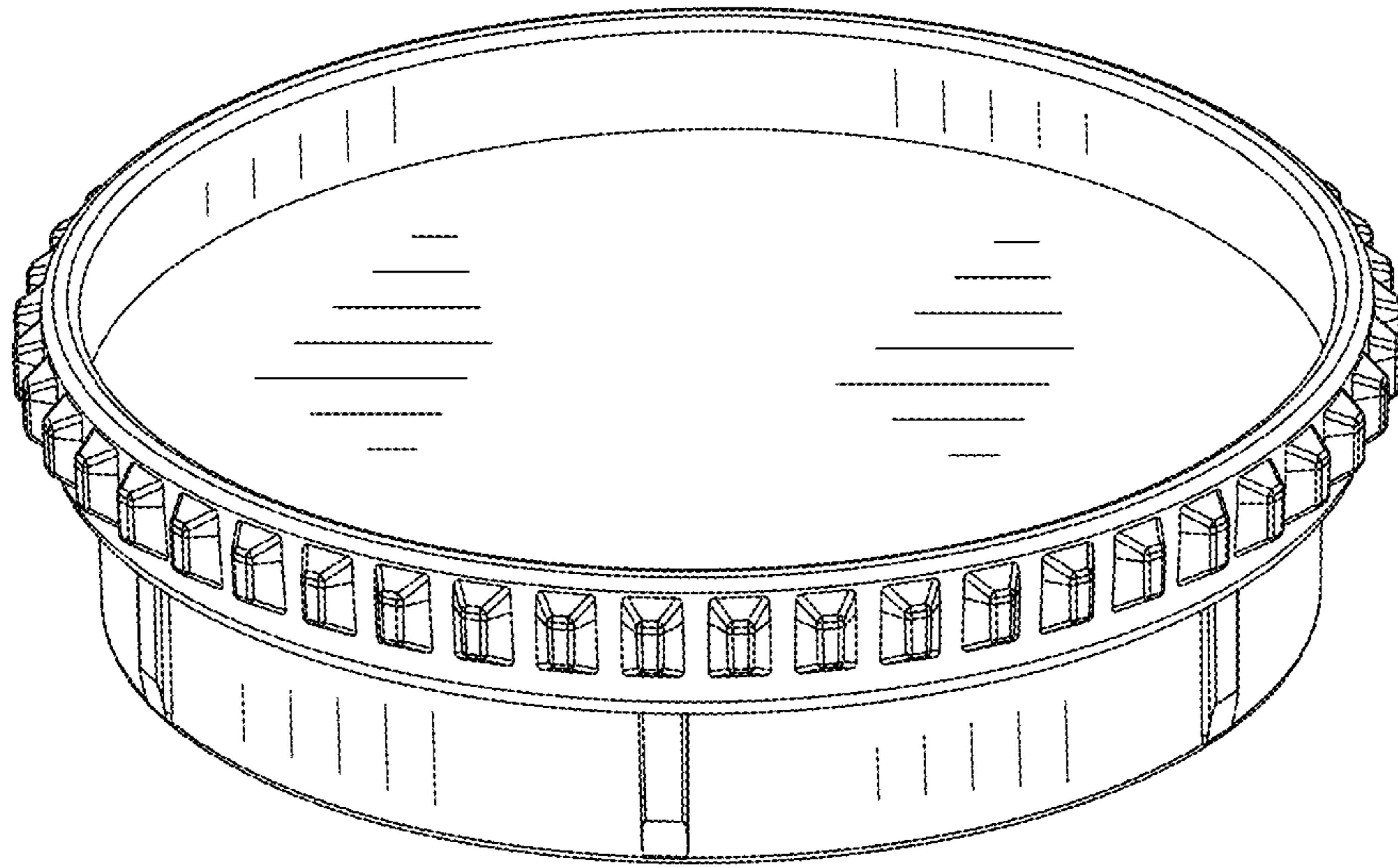


Fig. 6

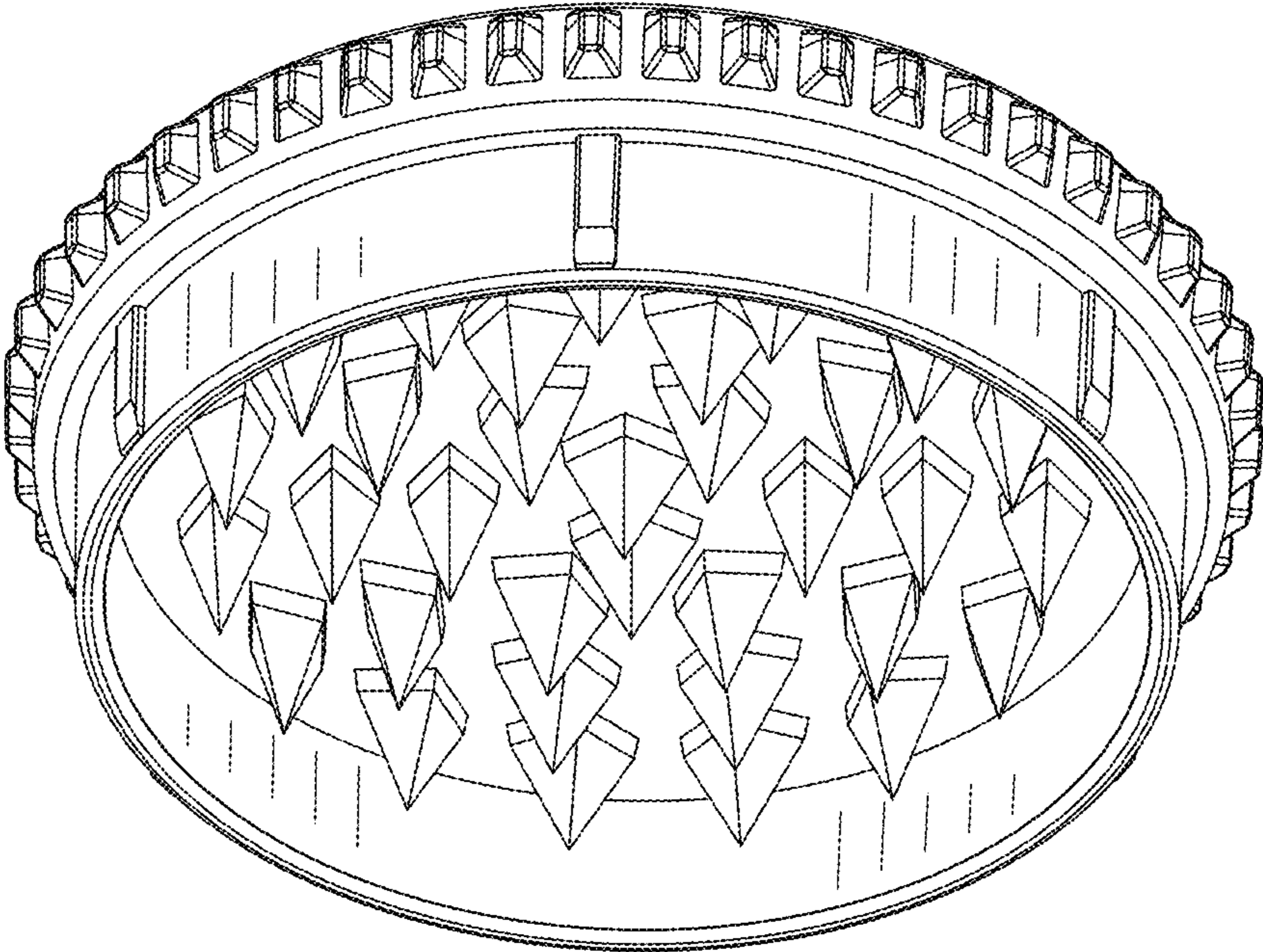


Fig. 7

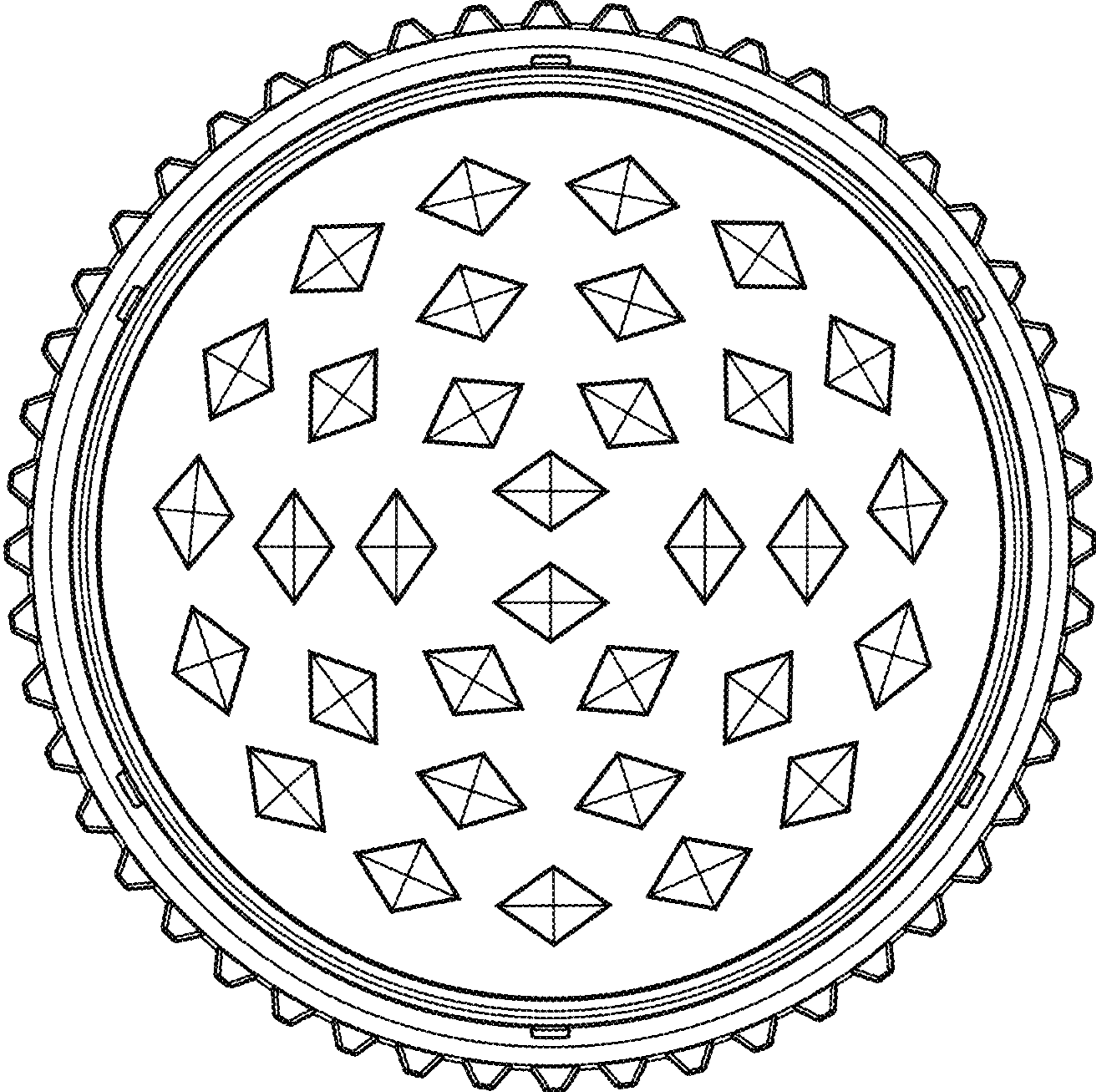


Fig. 8

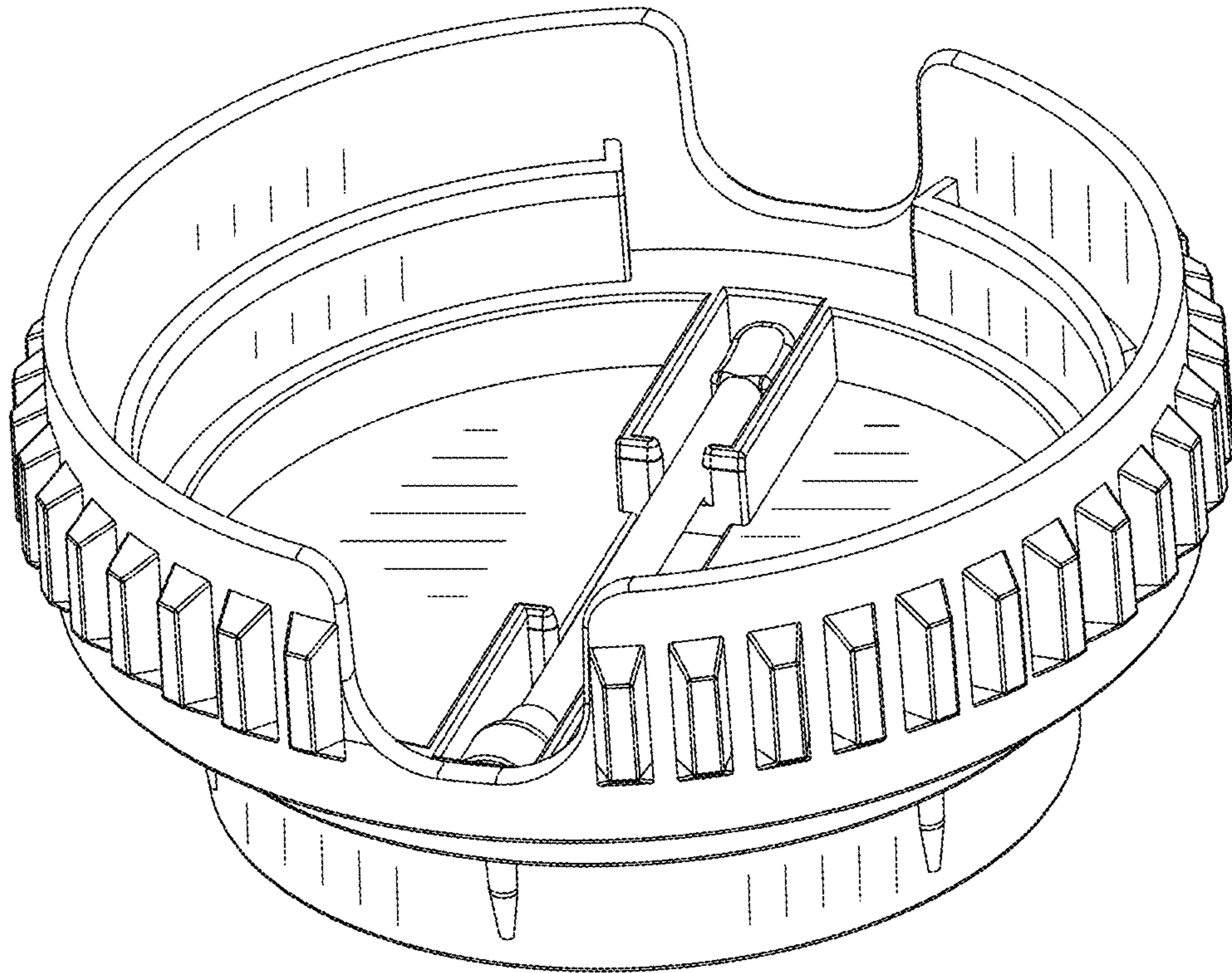


Fig. 9

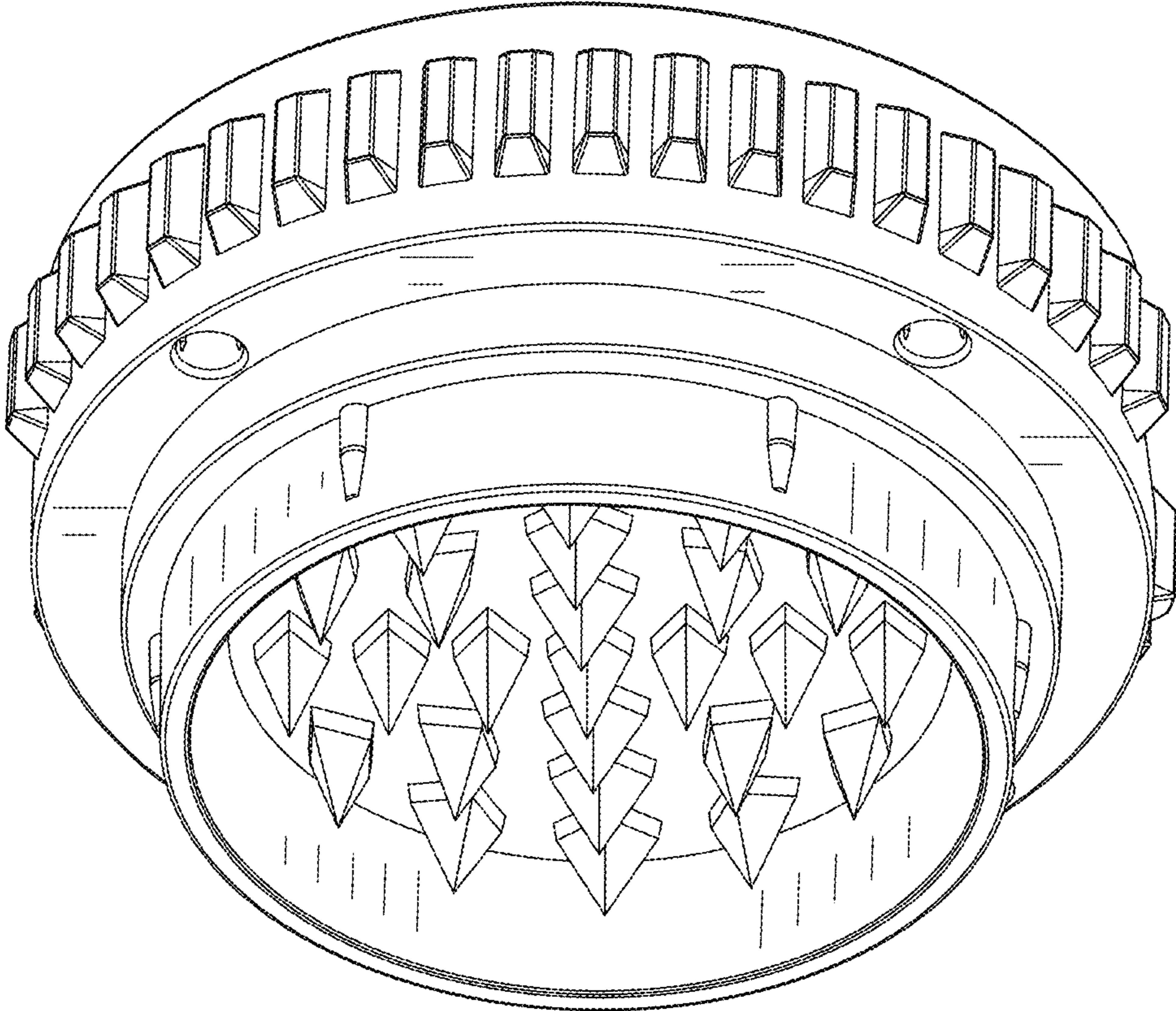


Fig. 10

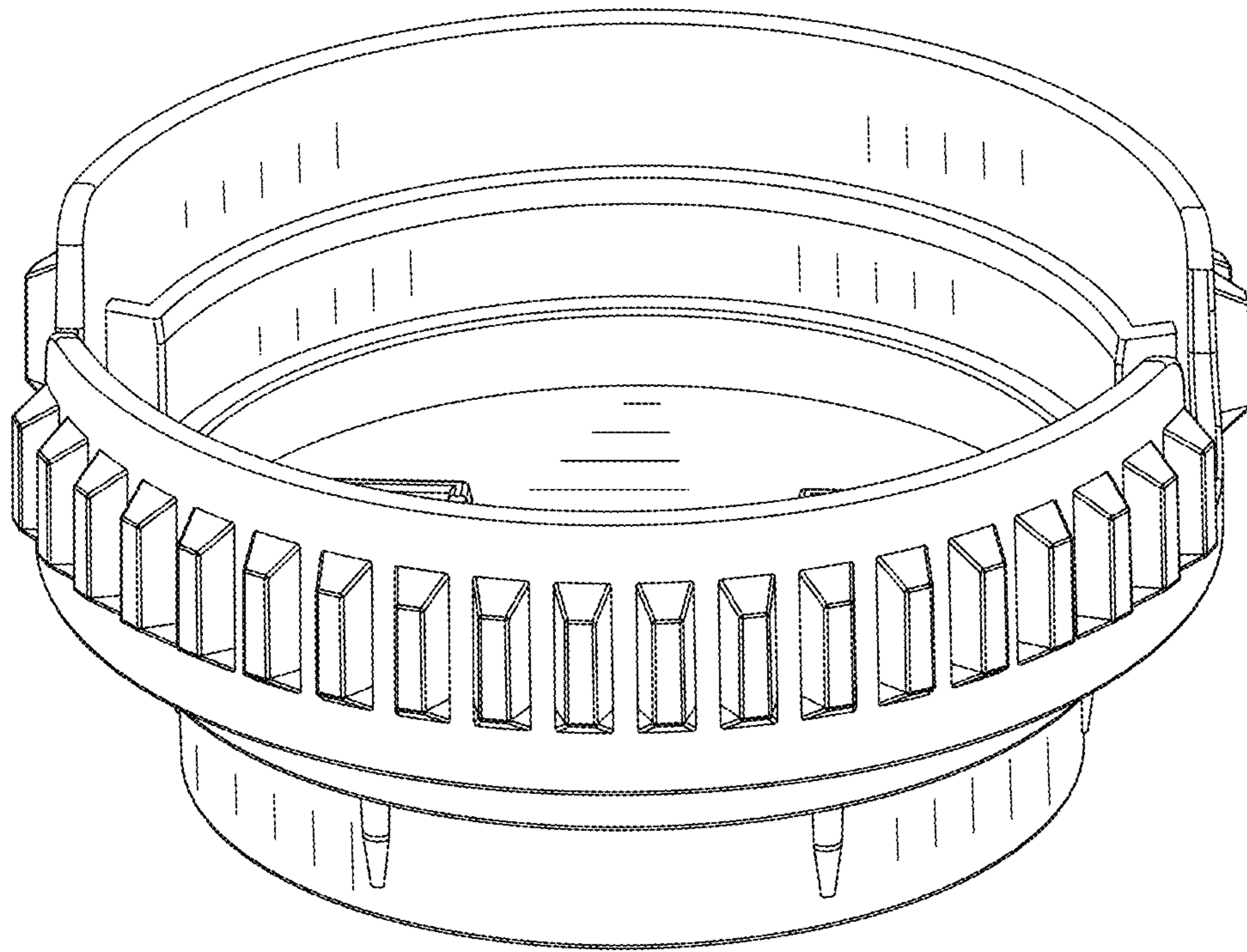


Fig. 11

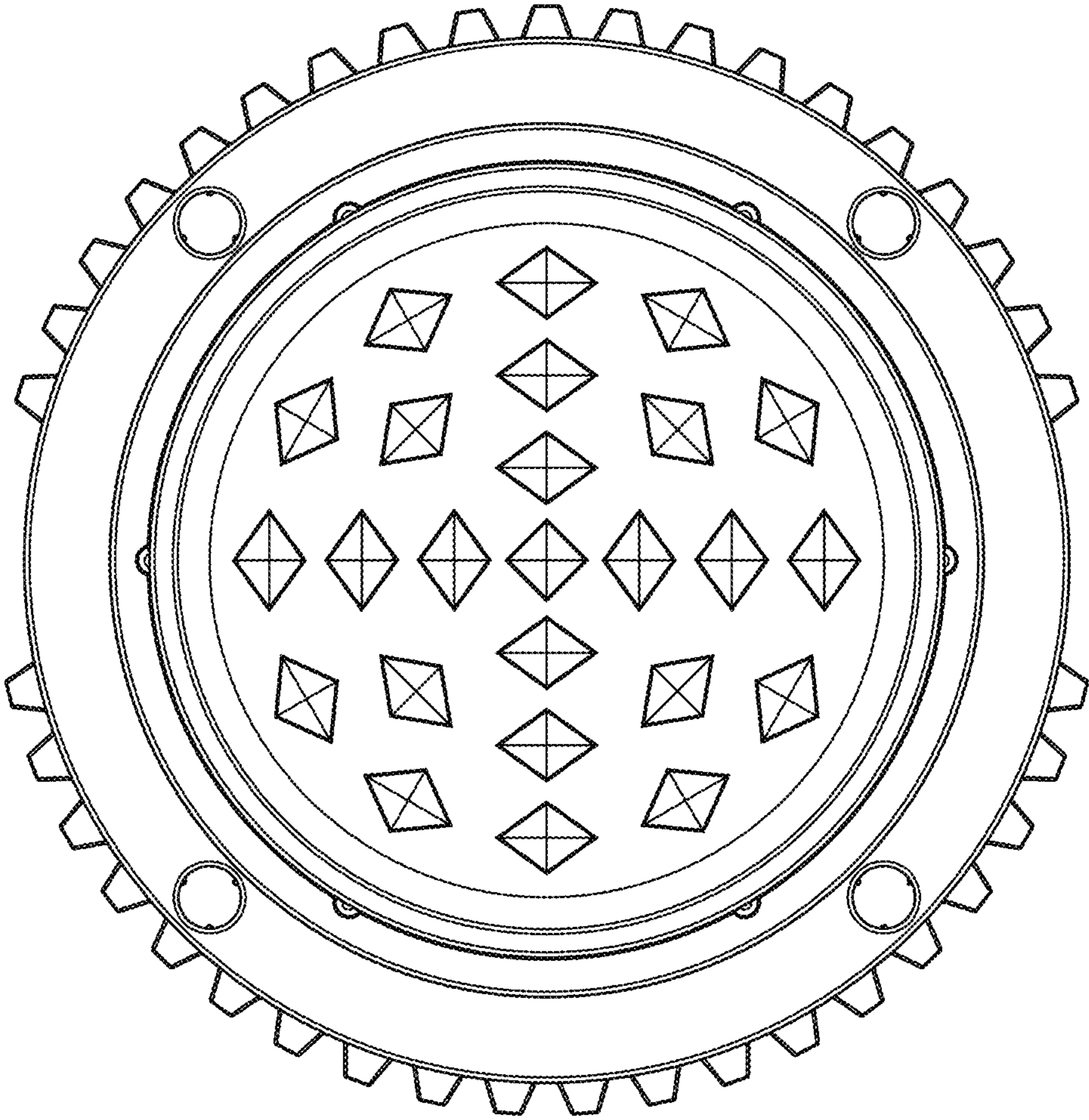


Fig. 12

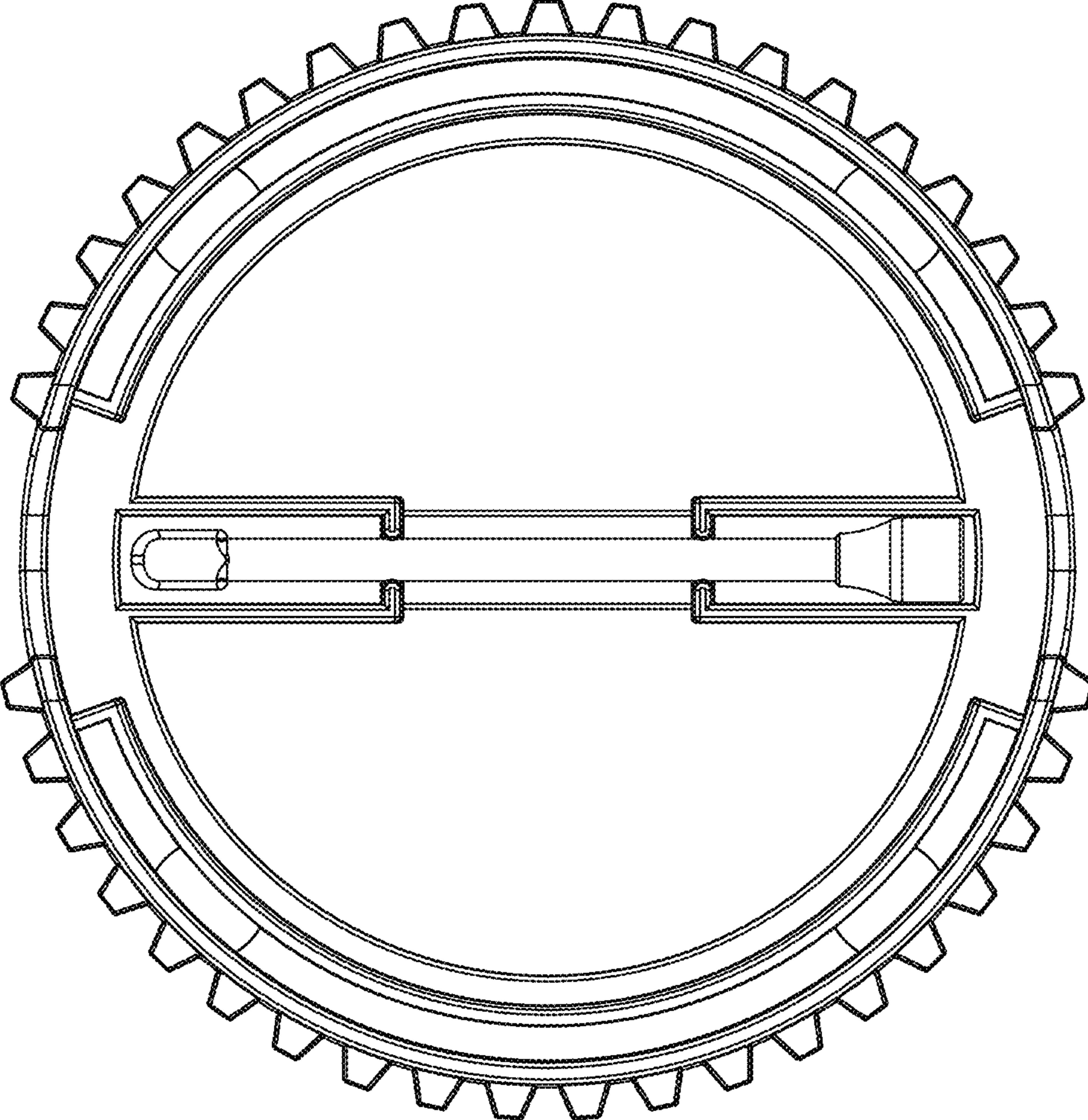


Fig. 13

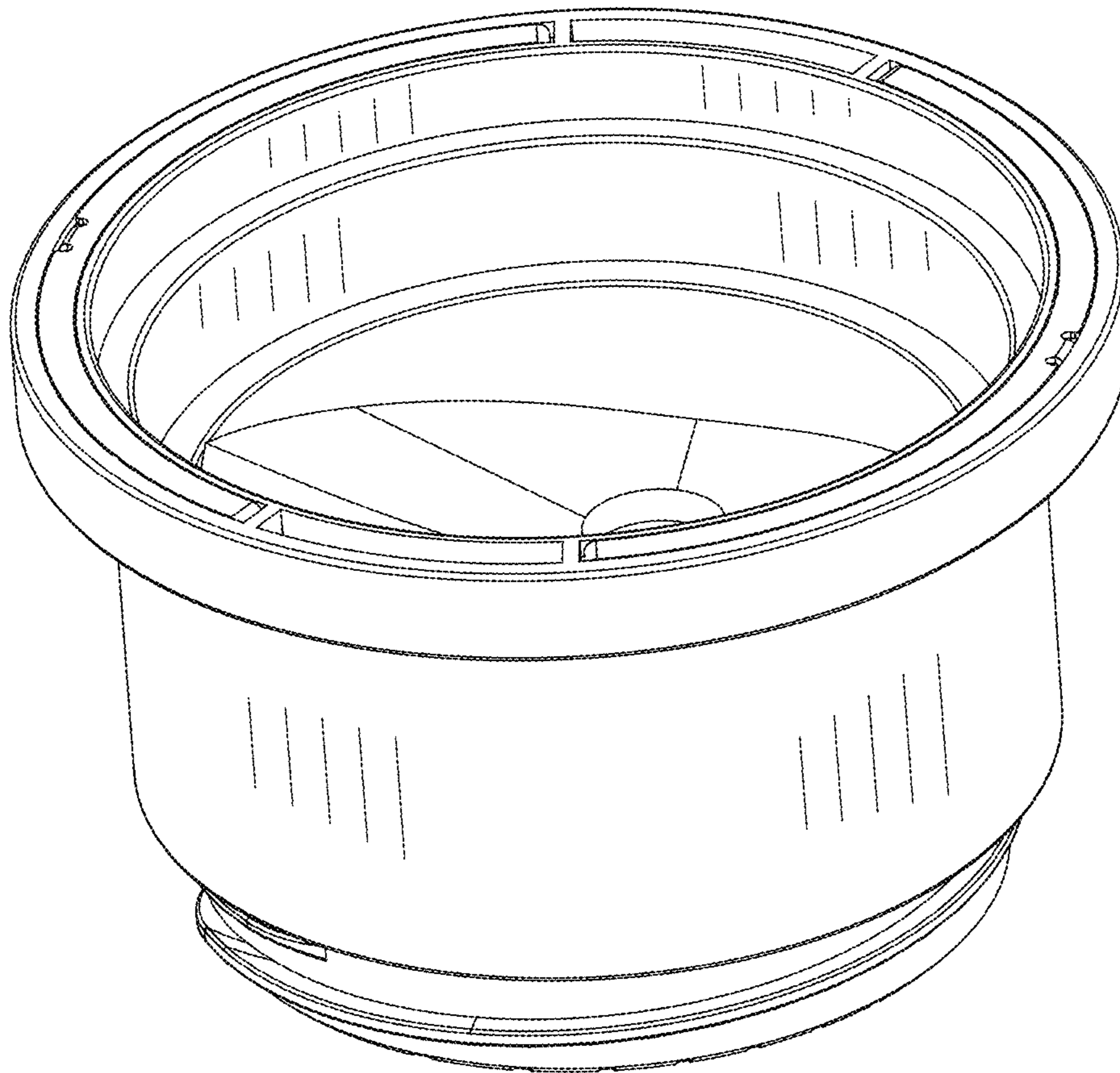


Fig. 14

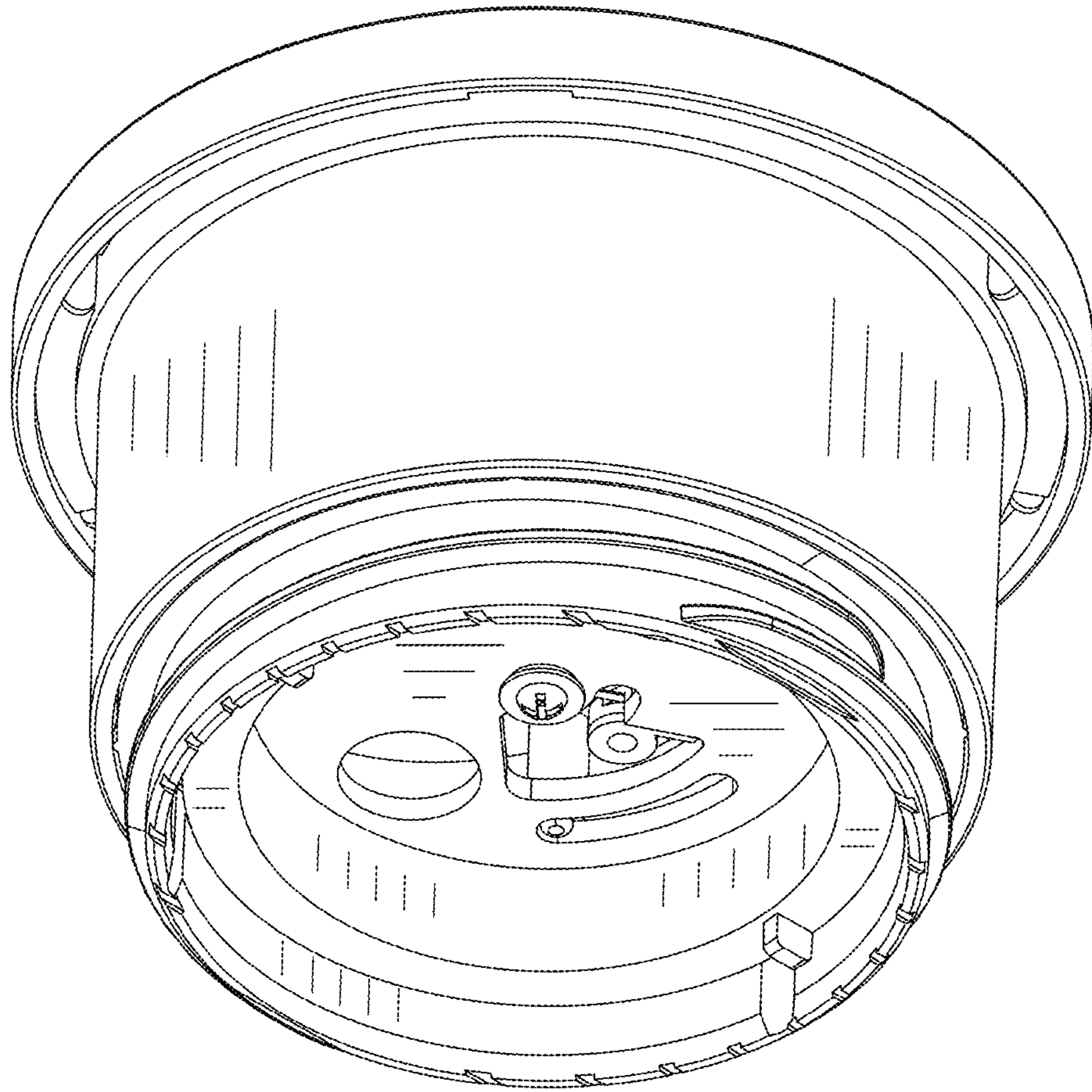


Fig. 15

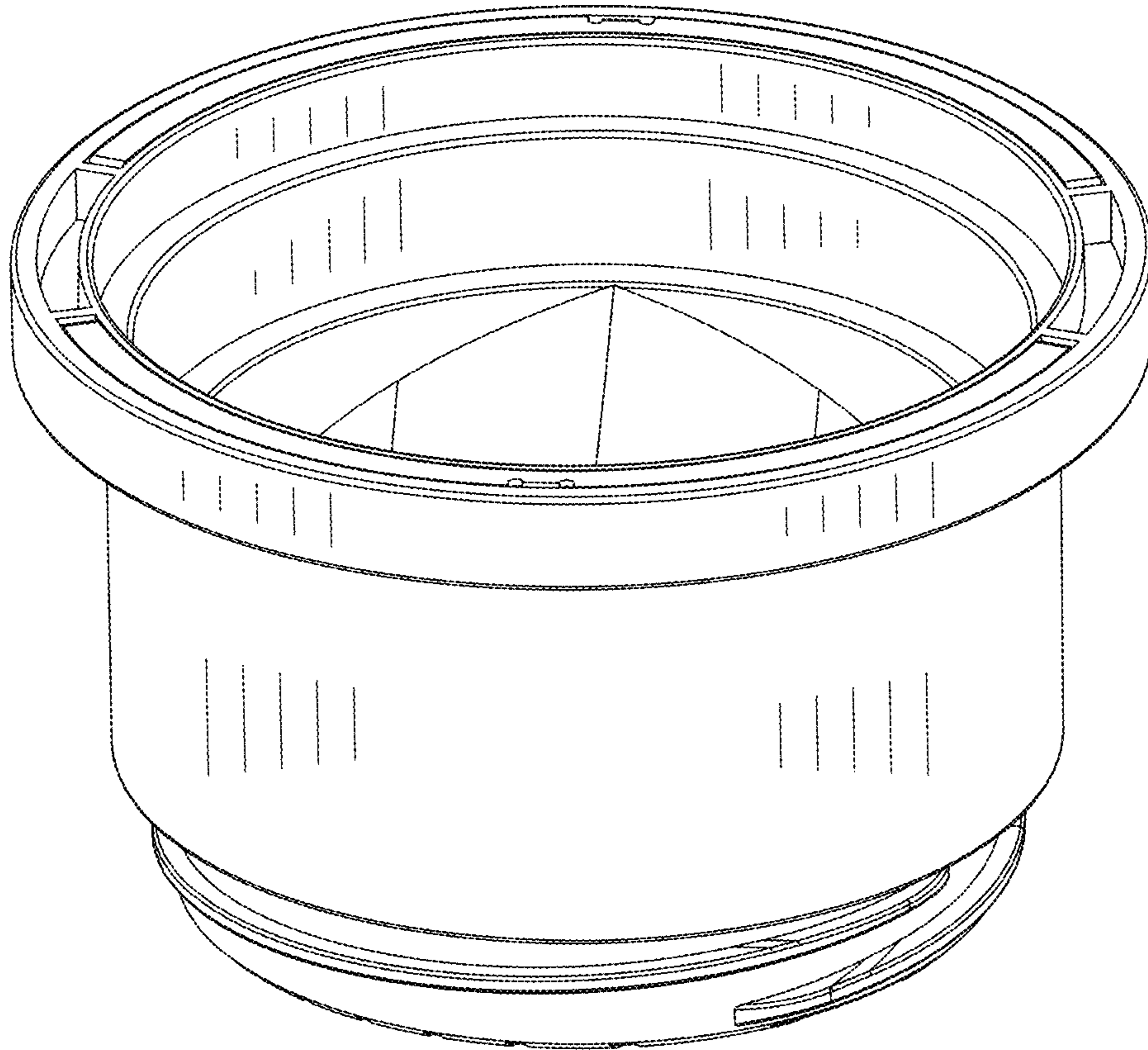


Fig. 16

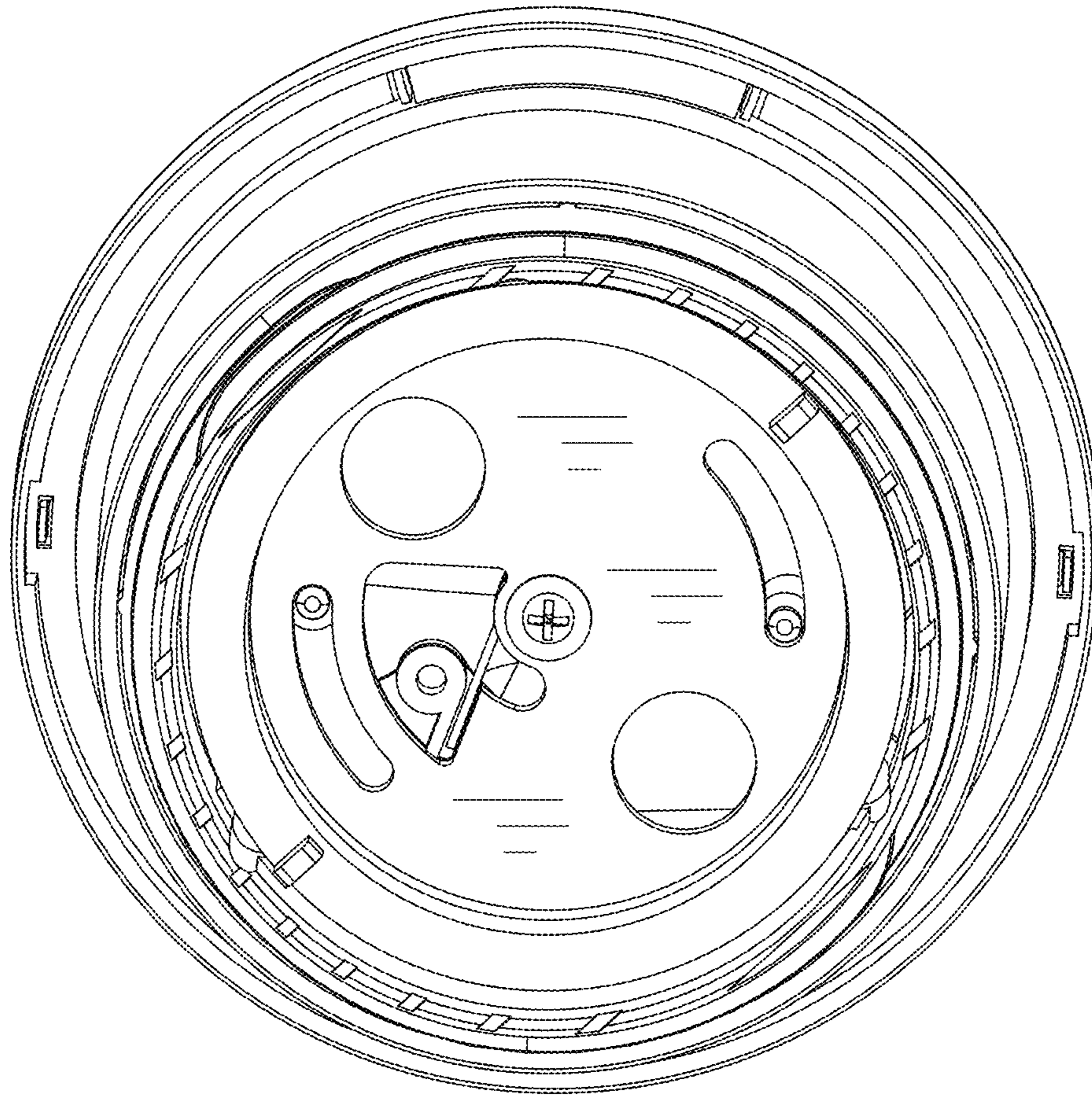


Fig. 17

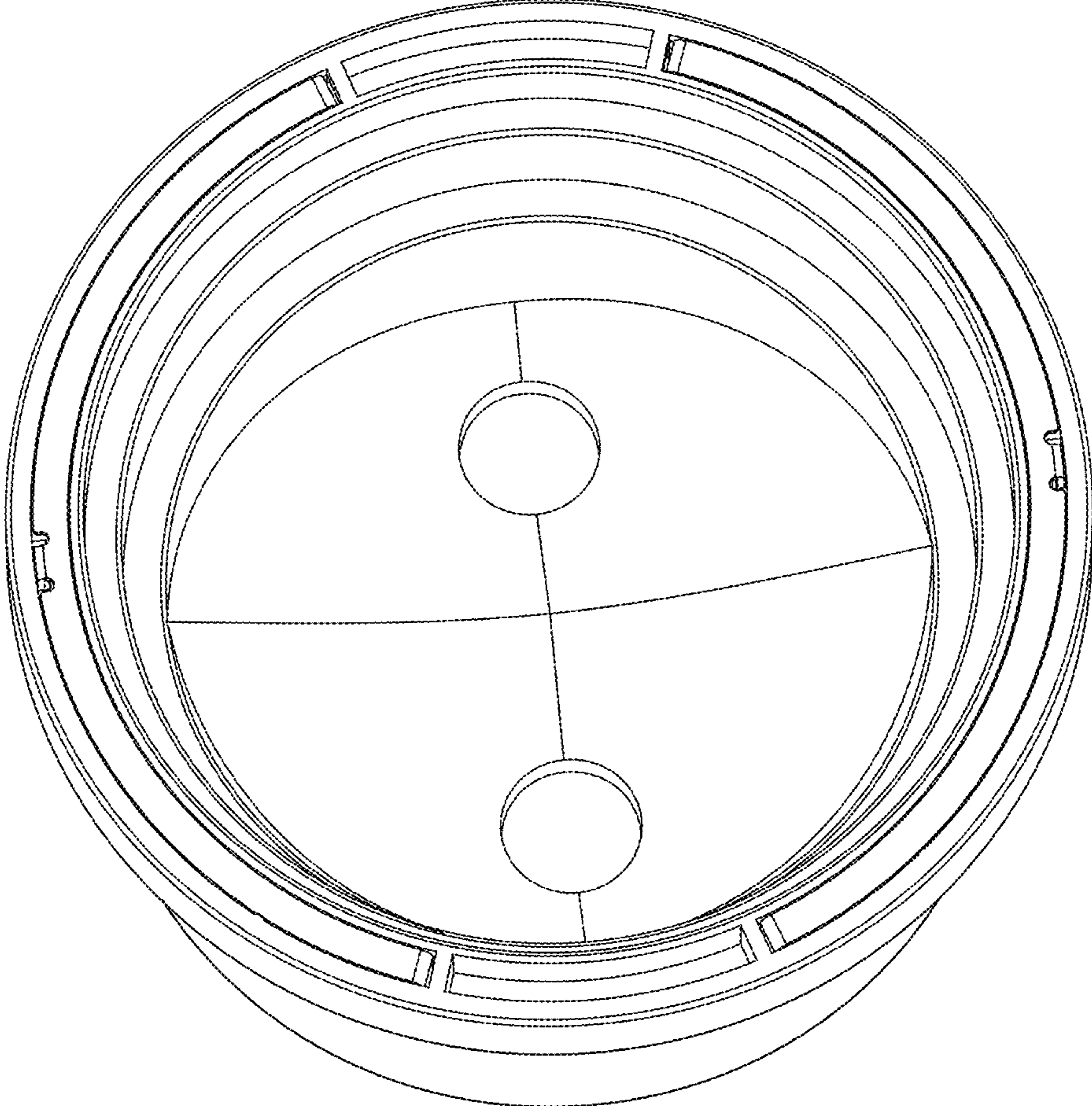


Fig. 18

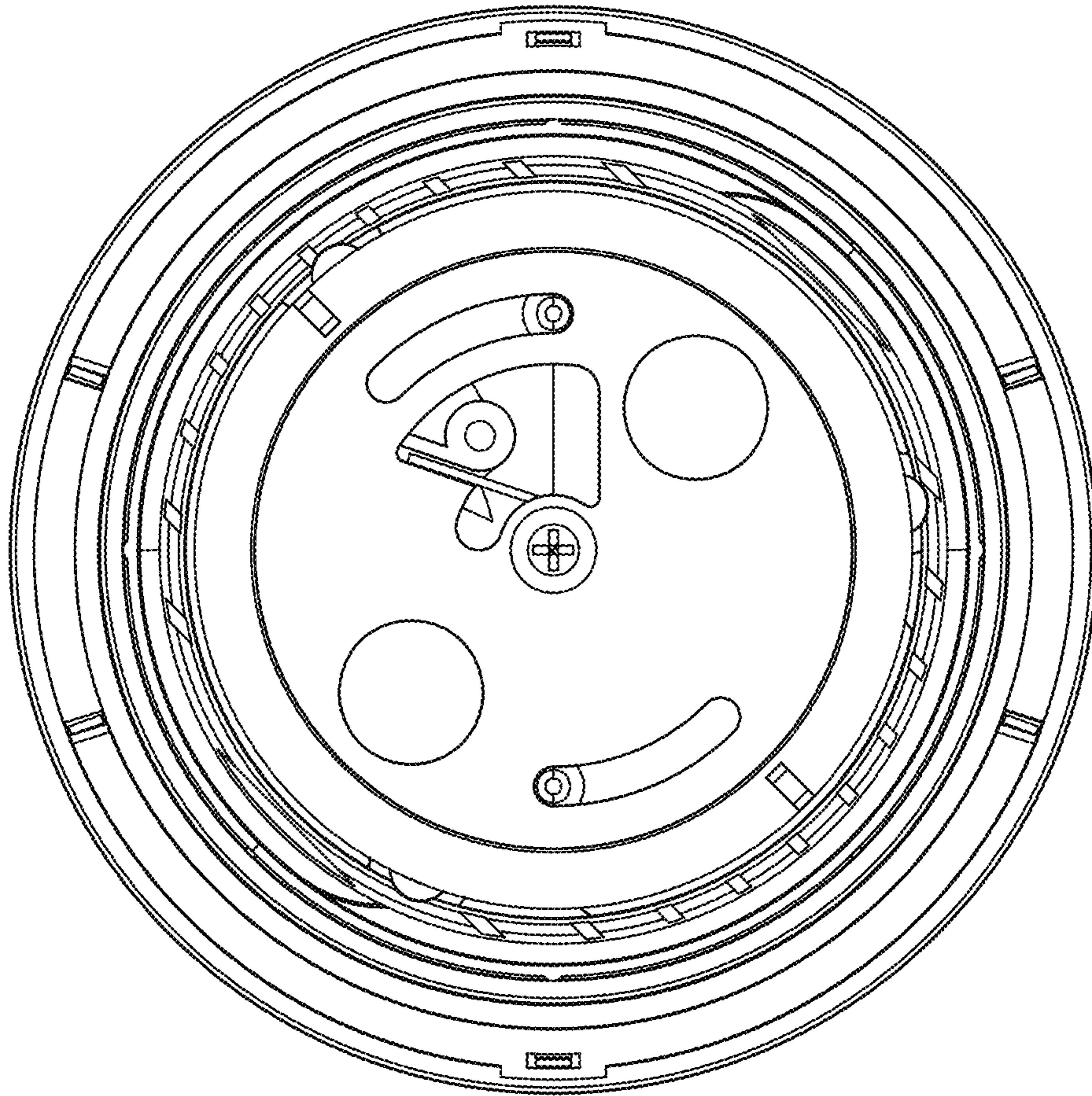


Fig. 19

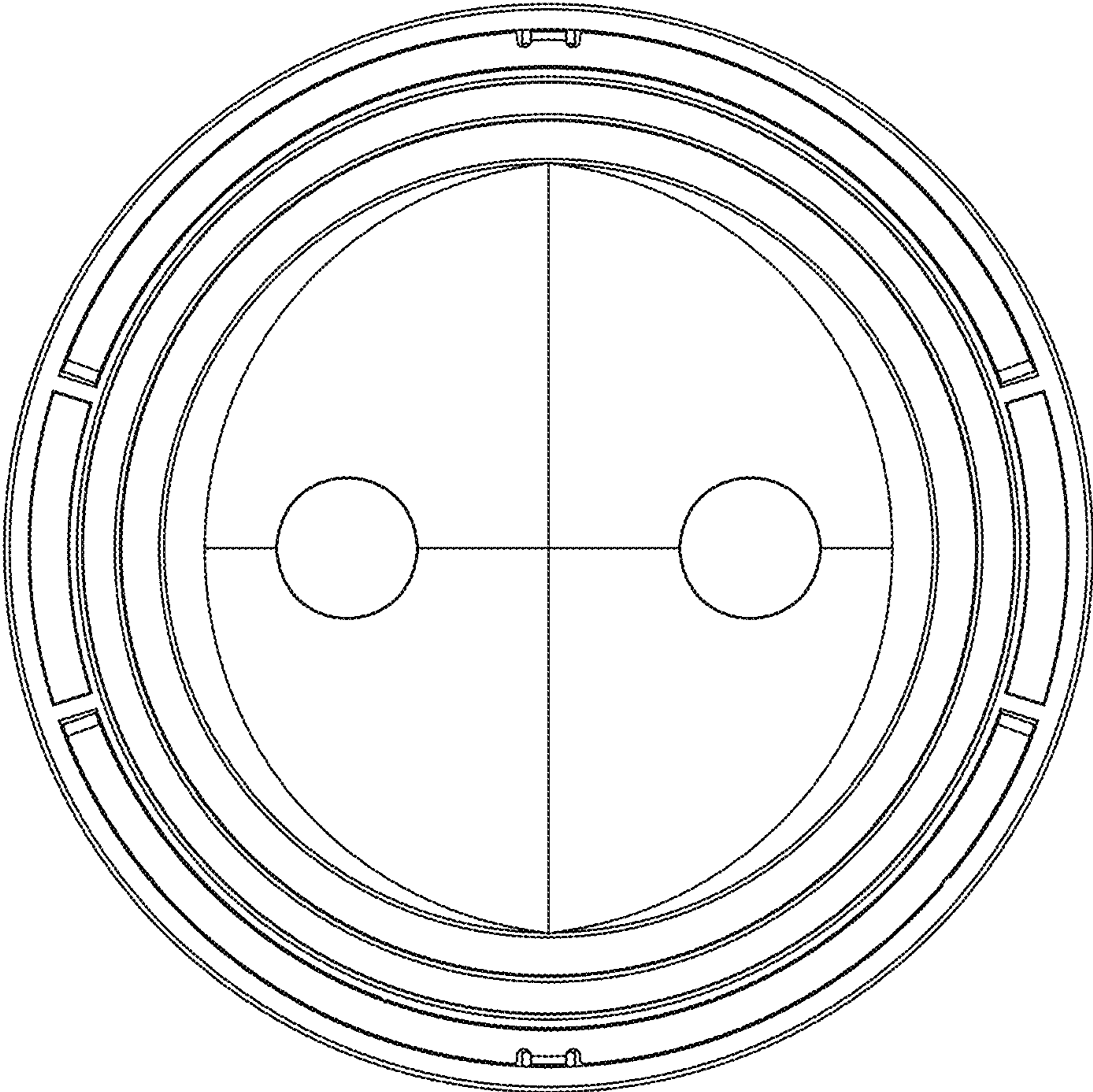


Fig. 20

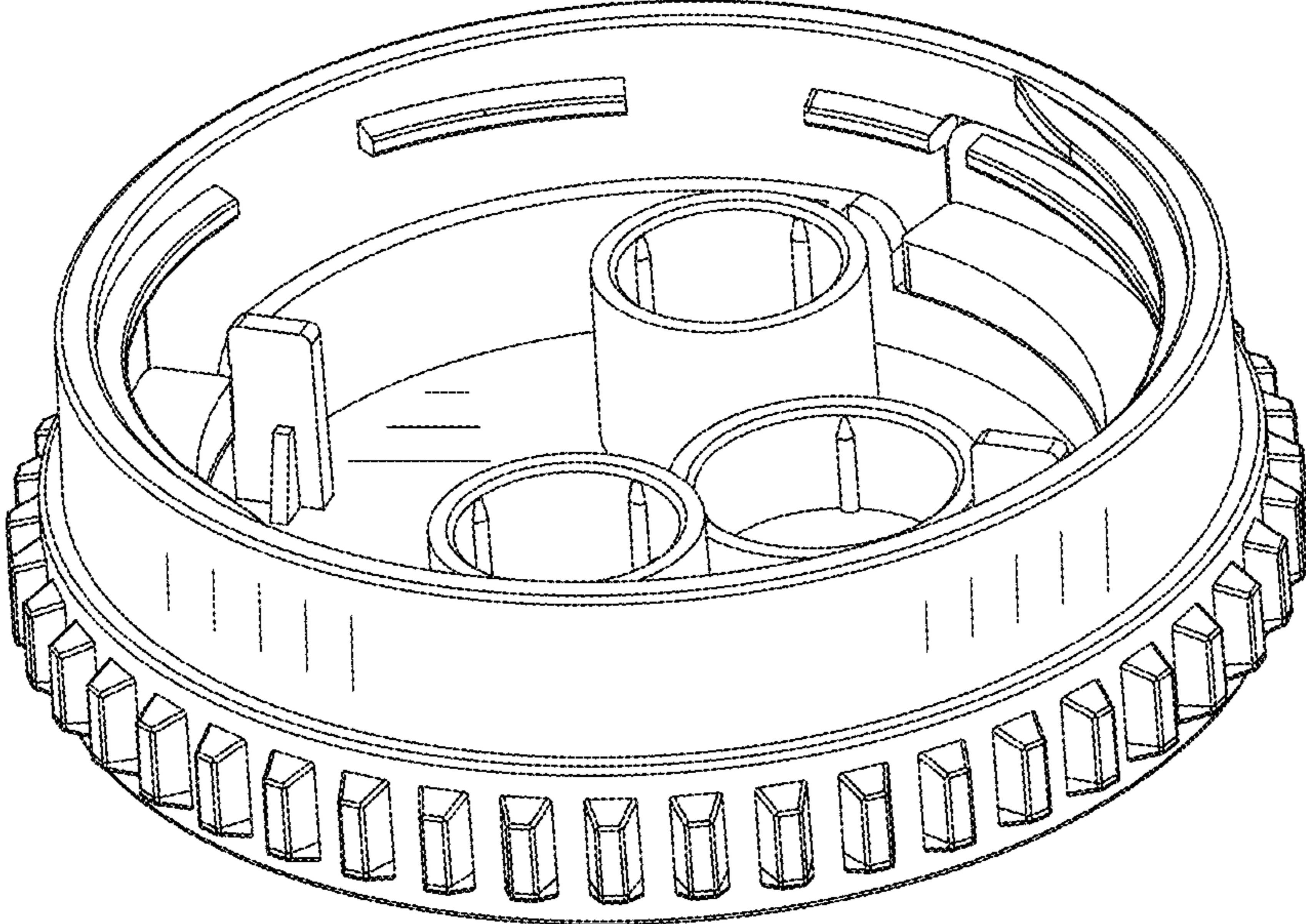


Fig. 21

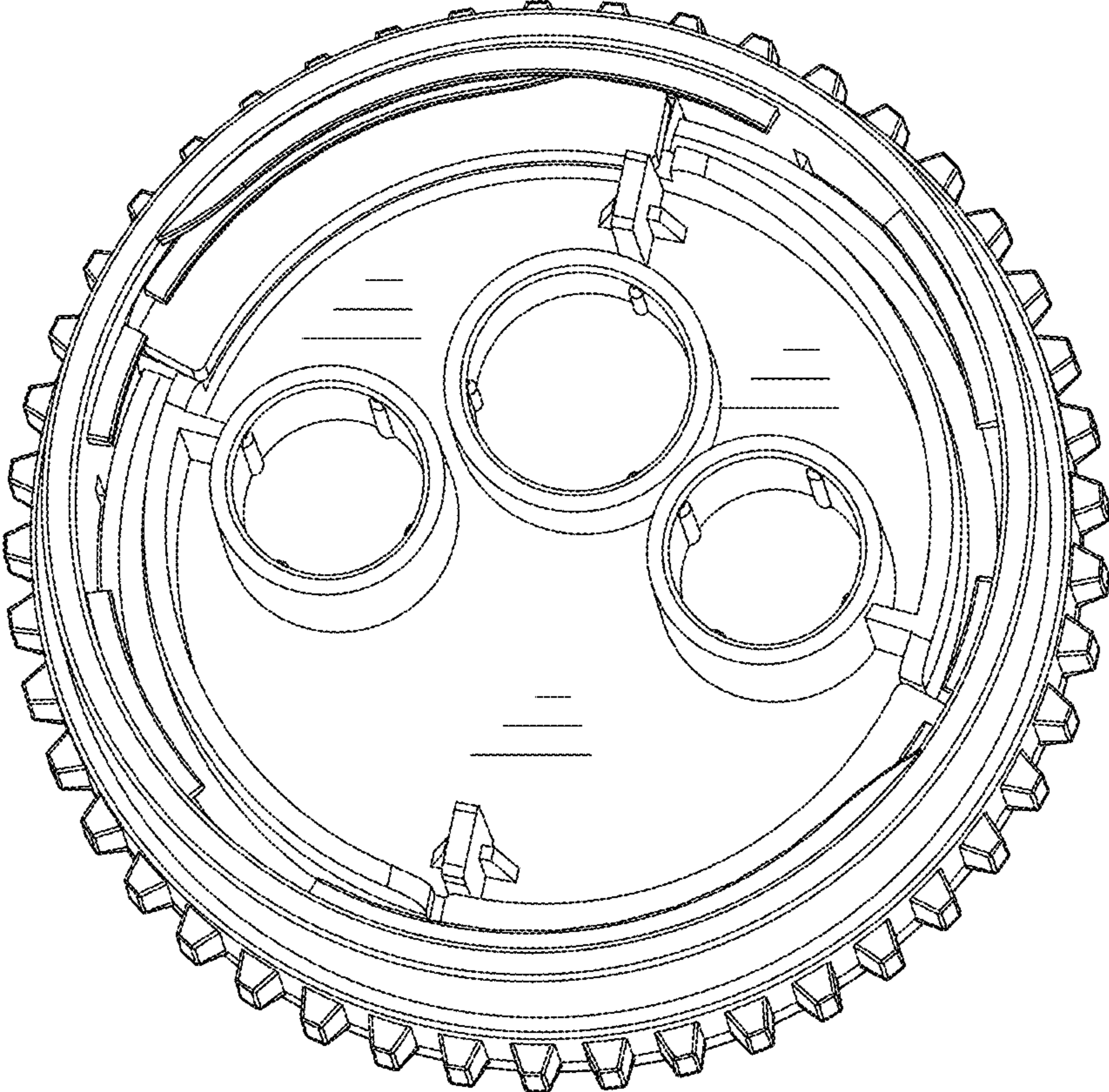


Fig. 22

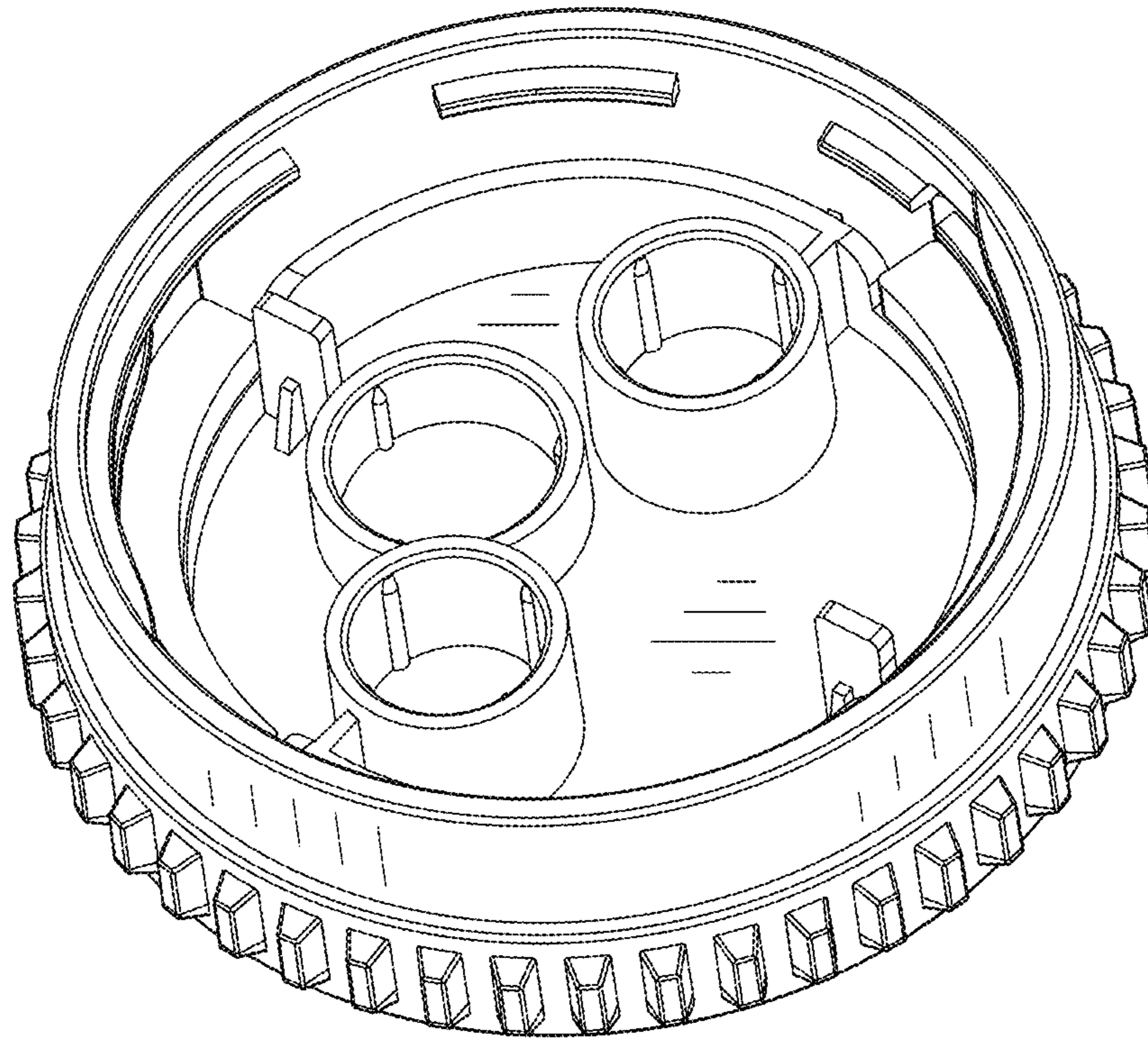


Fig. 23

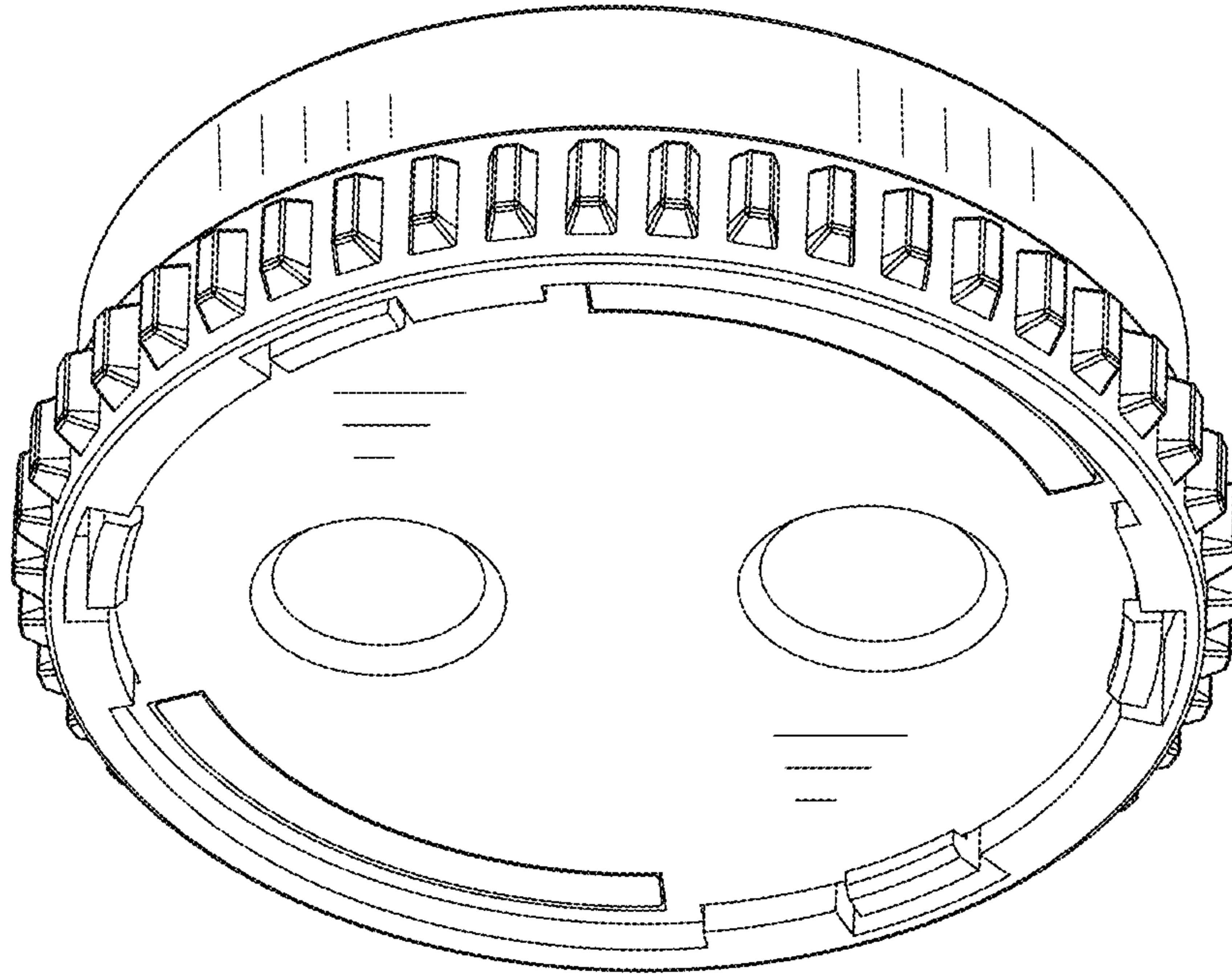


Fig. 24

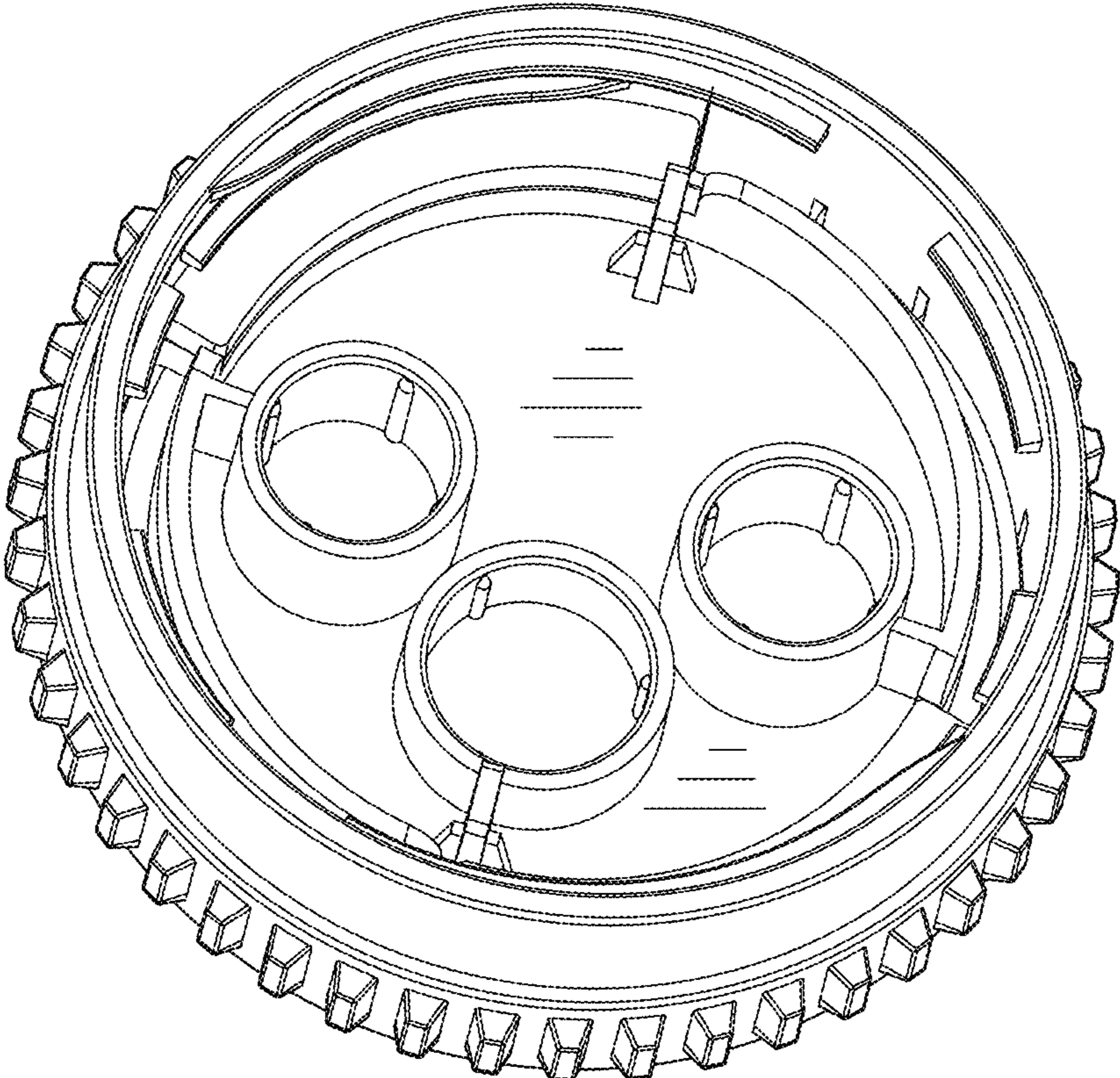


Fig. 25

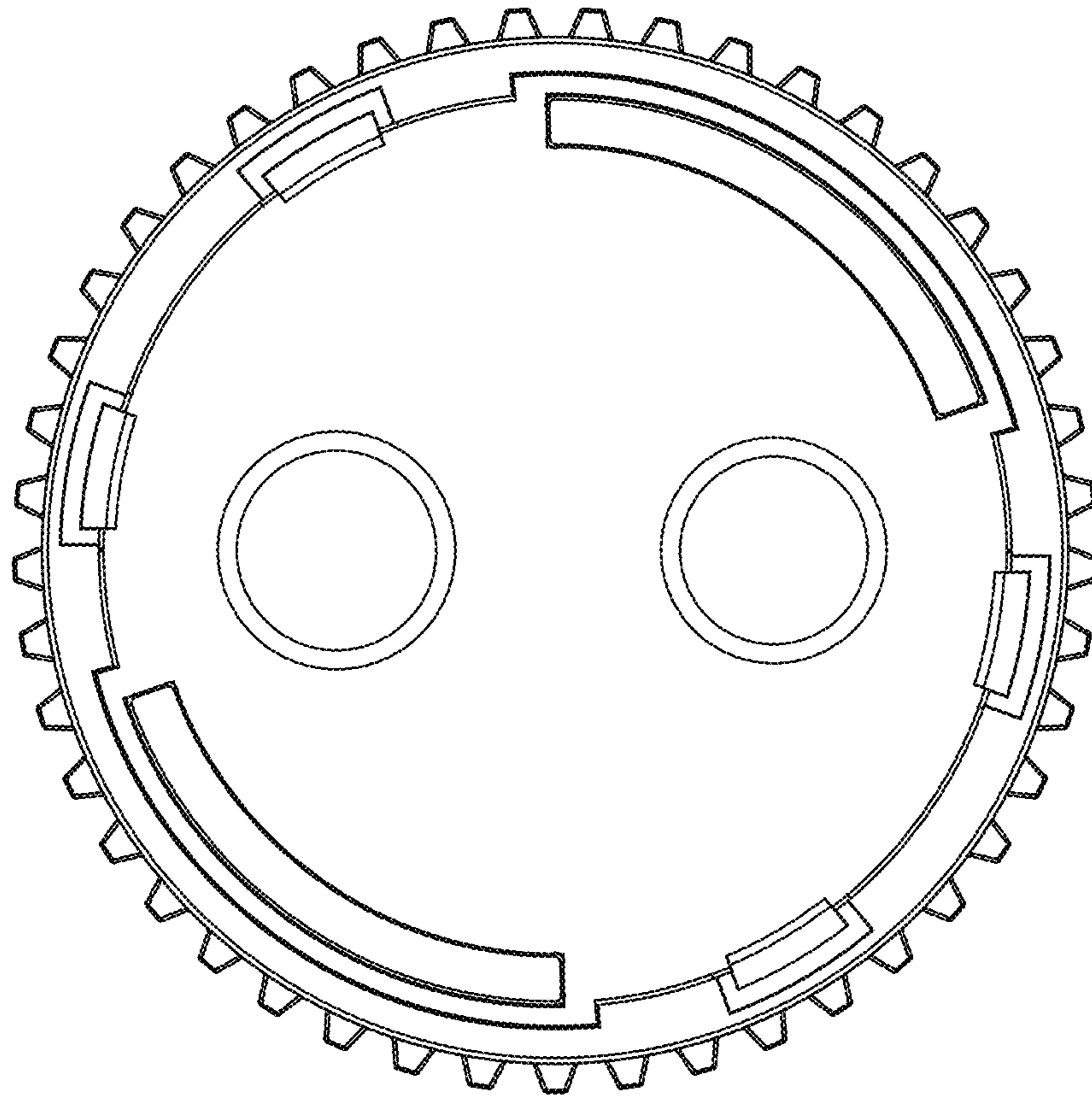


Fig. 26

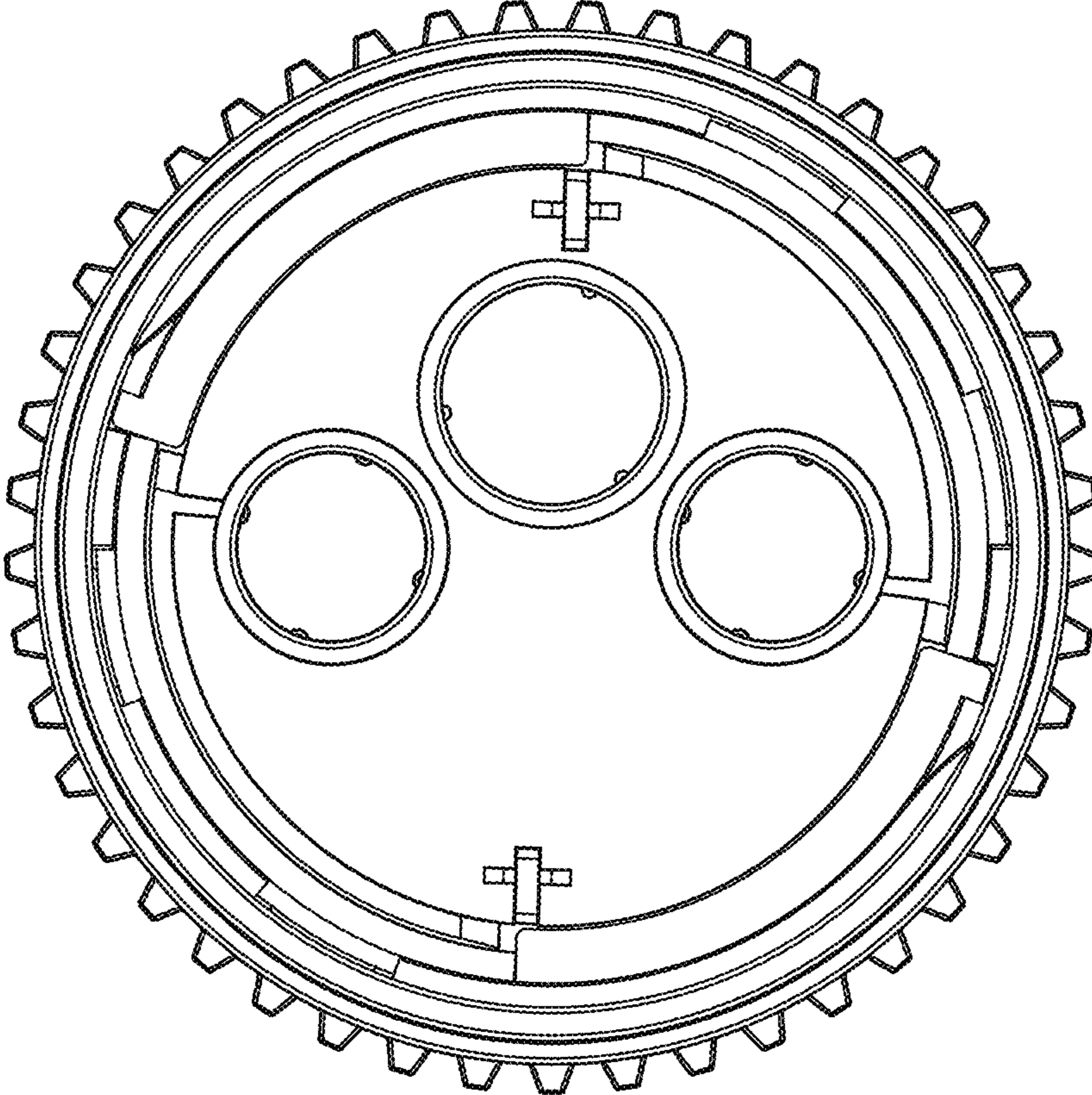


Fig. 27