



US00D804091S

(12) **United States Design Patent**
Fornarelli

(10) **Patent No.:** **US D804,091 S**

(45) **Date of Patent:** **** Nov. 28, 2017**

- (54) **ELECTRONIC CIGARETTE**
- (71) Applicant: **GSW CREATIVE CORPORATION**,
Santa Monica, CA (US)
- (72) Inventor: **Thomas Fornarelli**, Chicago, IL (US)
- (73) Assignee: **GSW CREATIVE CORP.**, Santa Rosa,
CA (US)
- (**) Term: **15 Years**
- (21) Appl. No.: **29/565,248**
- (22) Filed: **May 18, 2016**
- (51) **LOC (10) Cl.** **27-01**
- (52) **U.S. Cl.**
USPC **D27/101**
- (58) **Field of Classification Search**
USPC D27/100, 101, 162, 163–194
CPC A24F 47/00; A24F 47/002; A24B 15/243;
A24B 15/16; A24B 15/167; A61M
11/042; A61M 15/06
See application file for complete search history.

(56) **References Cited**

U.S. PATENT DOCUMENTS

- D453,854 S * 2/2002 Verhoeven-Koster D27/101
- D526,710 S 8/2006 Sevy
- D590,991 S * 4/2009 Hon D27/101
- D614,346 S * 4/2010 Lik D27/101
- D617,050 S * 6/2010 Lou D28/76
- D623,351 S * 9/2010 Kirkeby D27/101
- D666,355 S * 8/2012 Alelov D27/101
- D684,311 S 6/2013 Liu
- D695,449 S * 12/2013 Tucker D27/101
- 8,950,395 B2 * 2/2015 Schennum A61M 15/06
128/200.23
- D724,779 S 3/2015 Liu
- D728,154 S * 4/2015 Lavanchy D27/100
- D729,439 S * 5/2015 Scatterday D27/101

- D736,994 S 8/2015 Mittersinker
- D739,597 S * 9/2015 Lavanchy D27/100
- D739,598 S * 9/2015 Lavanchy D27/100
- D748,327 S * 1/2016 Taha D27/163
- D748,852 S 2/2016 Wu
- D749,260 S 2/2016 Wu
- D750,834 S * 3/2016 Wei D27/101
- D750,835 S * 3/2016 Wei D27/101
- D752,278 S * 3/2016 Verleur D13/103
- D754,916 S * 4/2016 Irvin D27/163
- D755,440 S * 5/2016 Collen D27/163
- D756,031 S * 5/2016 Wu D27/101
- D757,352 S * 5/2016 Bagai D27/101
- D757,994 S * 5/2016 Moradian D27/101
- D758,650 S * 6/2016 Wu D27/101
- D759,296 S * 6/2016 Abroff D27/101
- D770,086 S * 10/2016 Tucker D27/101
- D776,337 S * 1/2017 Levin D27/101

(Continued)

Primary Examiner — Robert M Spear

Assistant Examiner — Marissa J Cash

(74) *Attorney, Agent, or Firm* — Flener IP Law; Zareefa
B. Flener

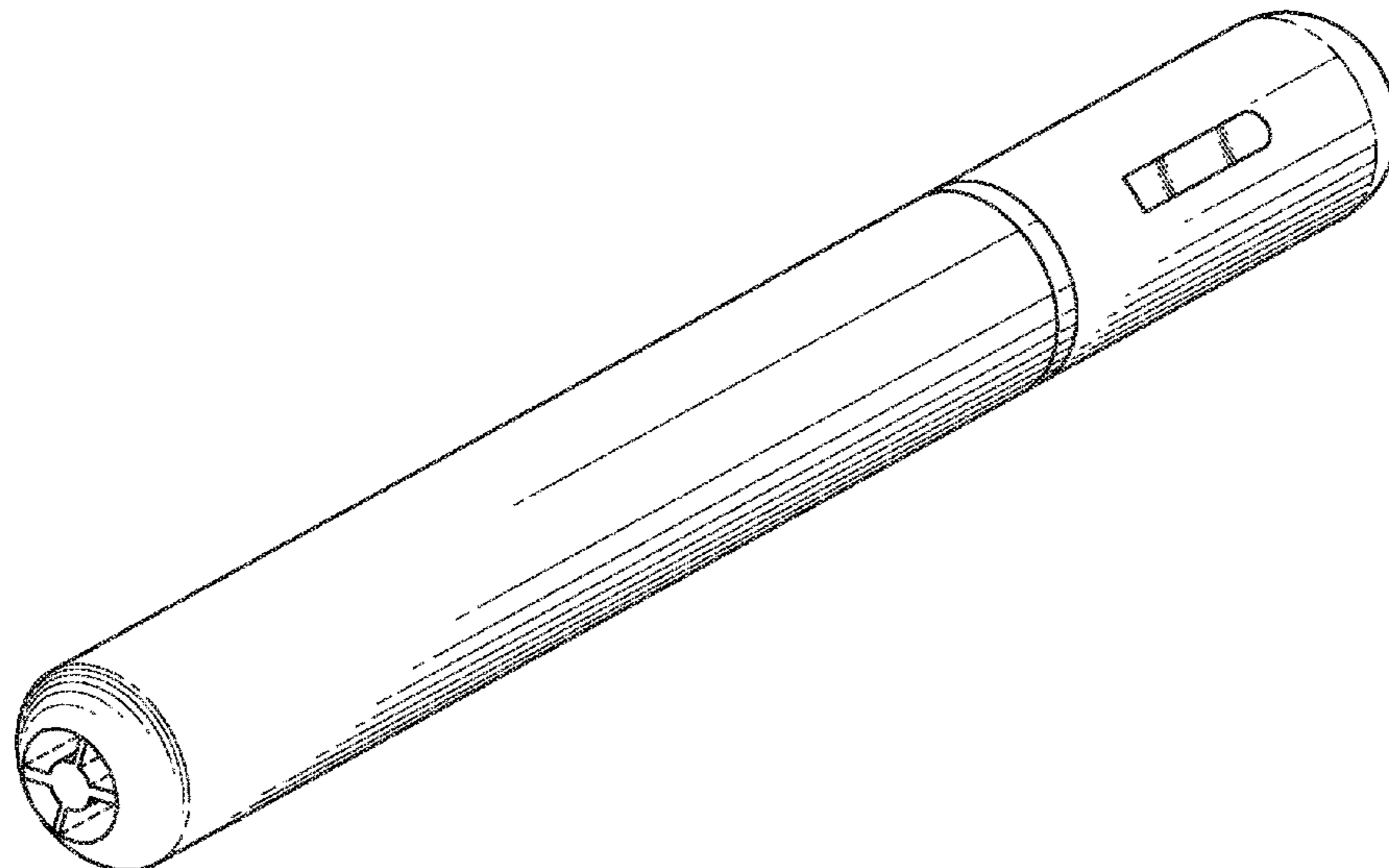
(57) **CLAIM**

The ornamental design for an electronic cigarette, as shown
and described.

DESCRIPTION

FIG. 1 is a bottom perspective view of an electronic cigarette showing my new design;
 FIG. 2 is a front elevational view thereof;
 FIG. 3 is a back elevational view thereof;
 FIG. 4 is a left elevational view thereof, the right side being a mirror image;
 FIG. 5 is a top plan view thereof; and,
 FIG. 6 is a bottom plan view thereof.
 A broken line showing is for illustrative purposes only and forms no part of the claimed design.

1 Claim, 3 Drawing Sheets



(56)

References Cited

U.S. PATENT DOCUMENTS

2008/0271744 A1* 11/2008 Danforth A24F 1/28
131/270
2013/0284194 A1* 10/2013 Newton A24F 47/008
131/329
2013/0298905 A1* 11/2013 Levin A24F 47/008
128/202.21
2014/0020696 A1* 1/2014 Liu A24F 47/002
131/329
2014/0345632 A1* 11/2014 Scatterday A24F 47/008
131/329
2015/0000682 A1* 1/2015 Liu A24F 47/008
131/329
2015/0320114 A1* 11/2015 Wu A24F 47/008
131/329
2015/0374036 A1* 12/2015 Suzuki A24F 47/008
131/329
2016/0007650 A1* 1/2016 Duncan A24F 47/004
131/328
2016/0242463 A1* 8/2016 Liu A24F 47/008
2016/0286865 A1* 10/2016 King A24F 47/008
2017/0020191 A1* 1/2017 Lamb A24F 47/008

* cited by examiner

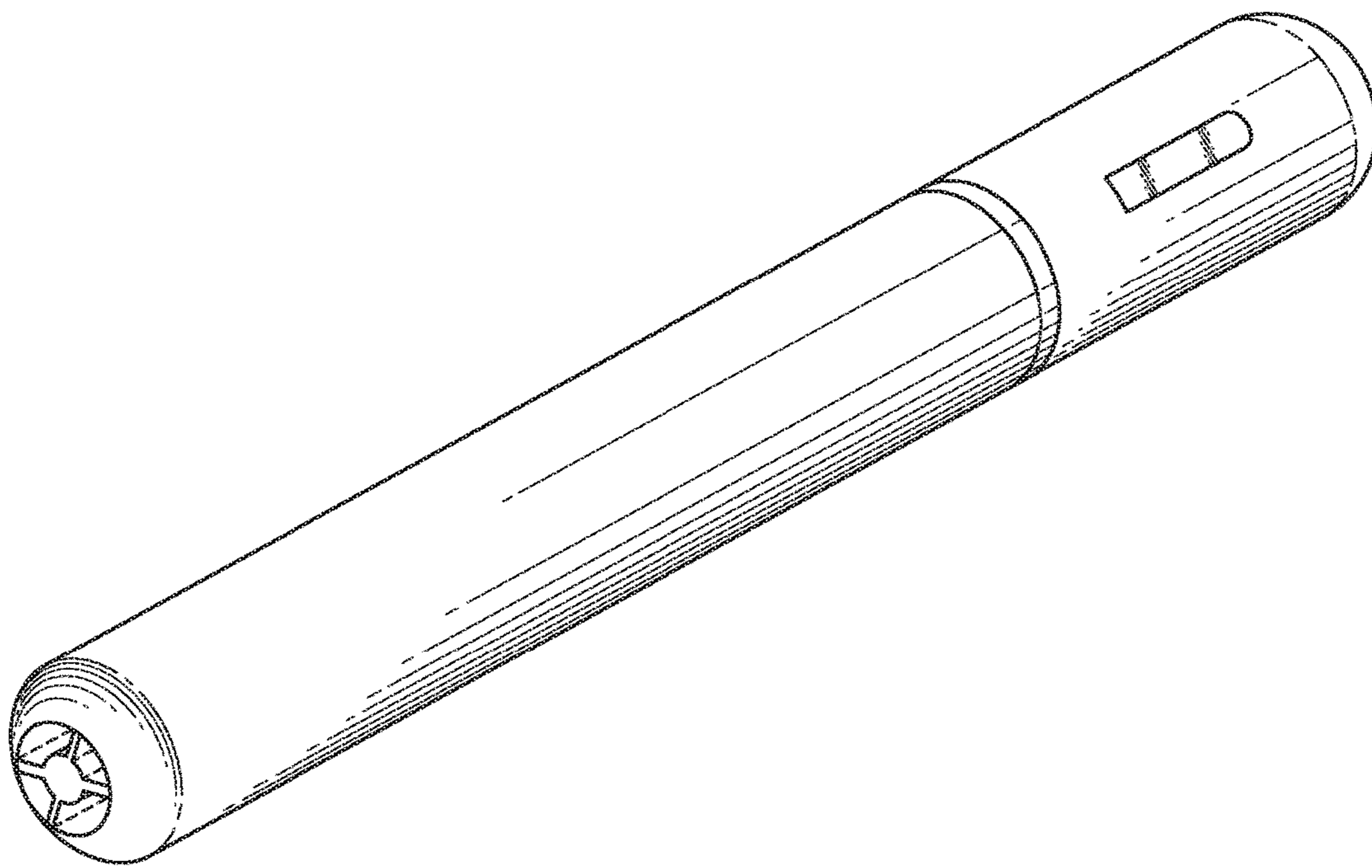


FIG. 1

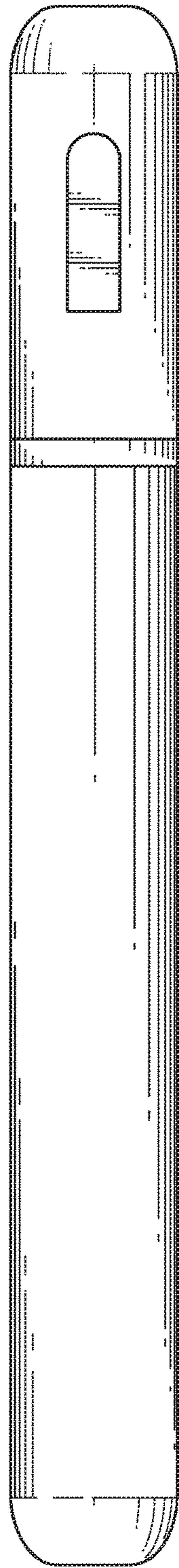


FIG. 2

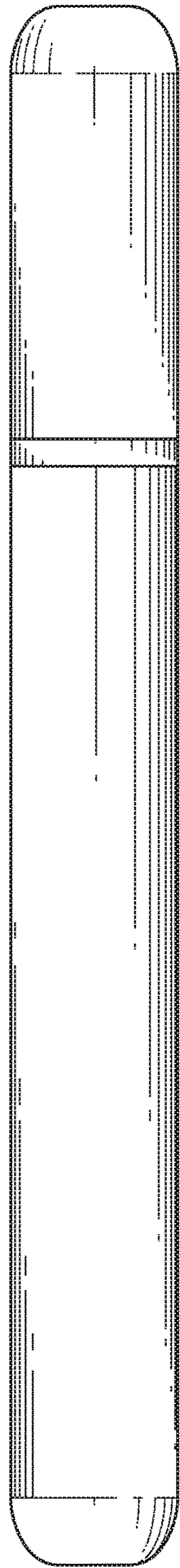


FIG. 3

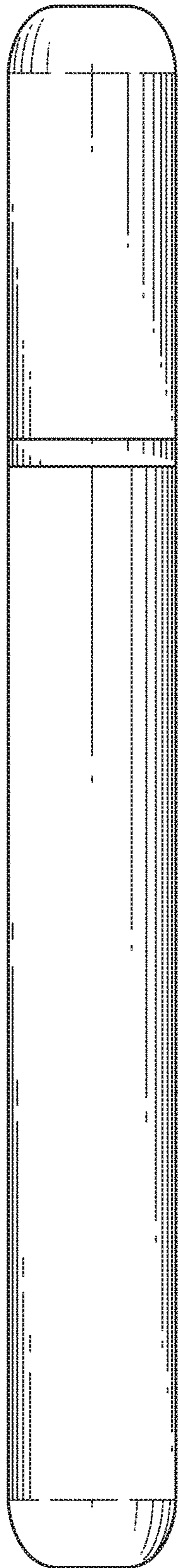


FIG. 4

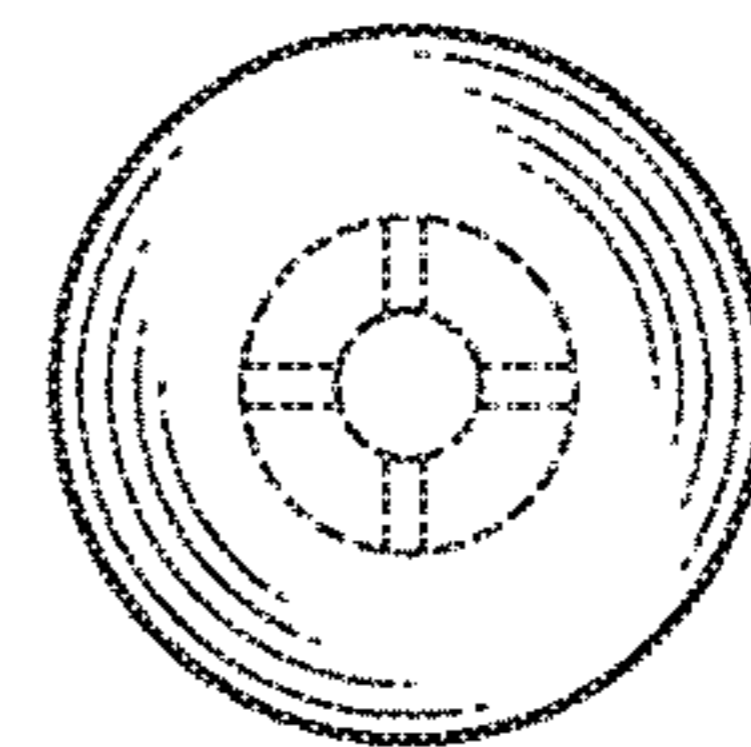


FIG. 5

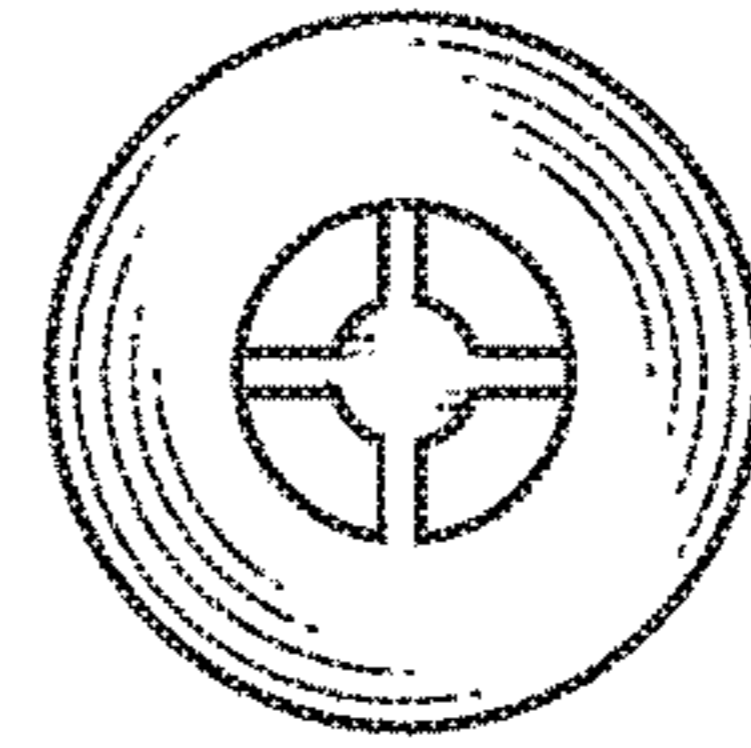


FIG. 6