



US00D804089S

(12) **United States Design Patent**
Dollar et al.

(10) **Patent No.:** **US D804,089 S**

(45) **Date of Patent:** **** Nov. 28, 2017**

(54) **LAMP COVER**

(71) Applicant: **Ground Effects, Ltd.**, Windsor (CA)

(72) Inventors: **Benjamin William Dollar**, Windsor (CA); **Michael Scott Boyko**, Amherstburg (CA); **Robert William Scott**, Windsor (CA); **Bradley John Pattison**, Windsor (CA)

(73) Assignee: **Ground Effects, Ltd.**, Ontario (CA)

(**) Term: **15 Years**

(21) Appl. No.: **29/577,311**

(22) Filed: **Sep. 12, 2016**

(51) **LOC (10) Cl.** **26-99**

(52) **U.S. Cl.**

USPC **D26/139**

(58) **Field of Classification Search**

USPC D26/28-36, 139; 362/80-83, 267-269, 362/459-468, 475-478, 485-487

CPC F21S 48/00; F21S 48/10; F21S 48/115; F21S 48/1233; F21S 48/1266; F21S 48/1388; F21S 48/2268; F21V 21/04; F21V 21/02; B60Q 9/13; B60Q 9/135; B60Q 9/1375

See application file for complete search history.

(56) **References Cited**

U.S. PATENT DOCUMENTS

D316,460 S *	4/1991	Neece	D26/120
D396,311 S *	7/1998	Sacco	D26/28
D425,240 S *	5/2000	Goeckeritz	D26/139
D676,599 S *	2/2013	Davidson	D26/139

* cited by examiner

Primary Examiner — Marcus Jackson

(74) *Attorney, Agent, or Firm* — Dykema Gossett PLLC

(57) **CLAIM**

The ornamental design for a lamp cover, as shown and described.

DESCRIPTION

This application is a divisional of application Ser. No. 62/350,412, filed Jun. 15, 2016, now pending, which is incorporated herein by reference.

FIG. 1 is a right-front-side perspective view of a lamp cover showing an embodiment of the claimed design;

FIG. 2 is a left-rear-side perspective view thereof;

FIG. 3 is a top view thereof;

FIG. 4 is a bottom view thereof;

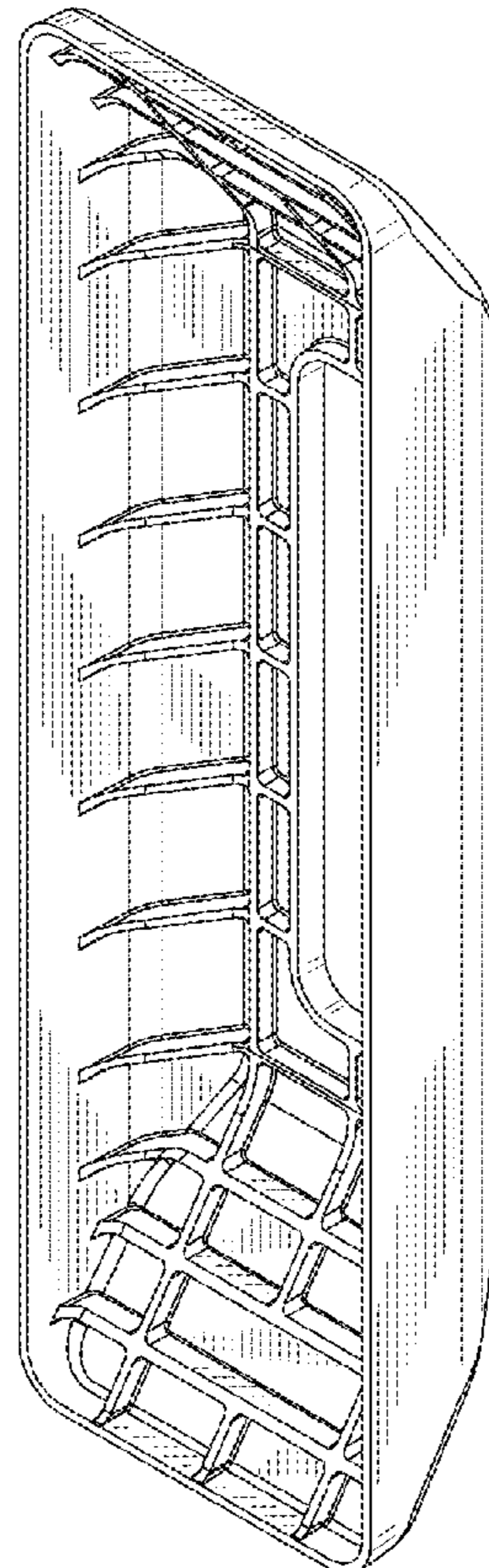
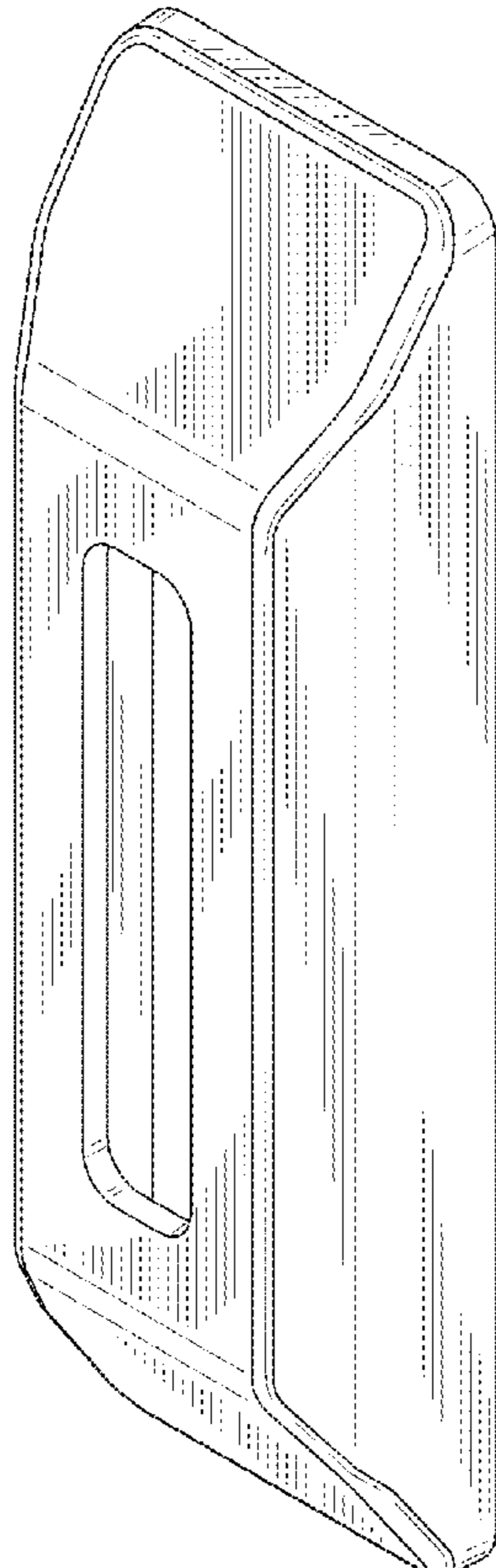
FIG. 5 is a right elevational view thereof;

FIG. 6 is a left elevational view thereof;

FIG. 7 is a top elevational view thereof; and,

FIG. 8 is a bottom elevational view.

1 Claim, 4 Drawing Sheets



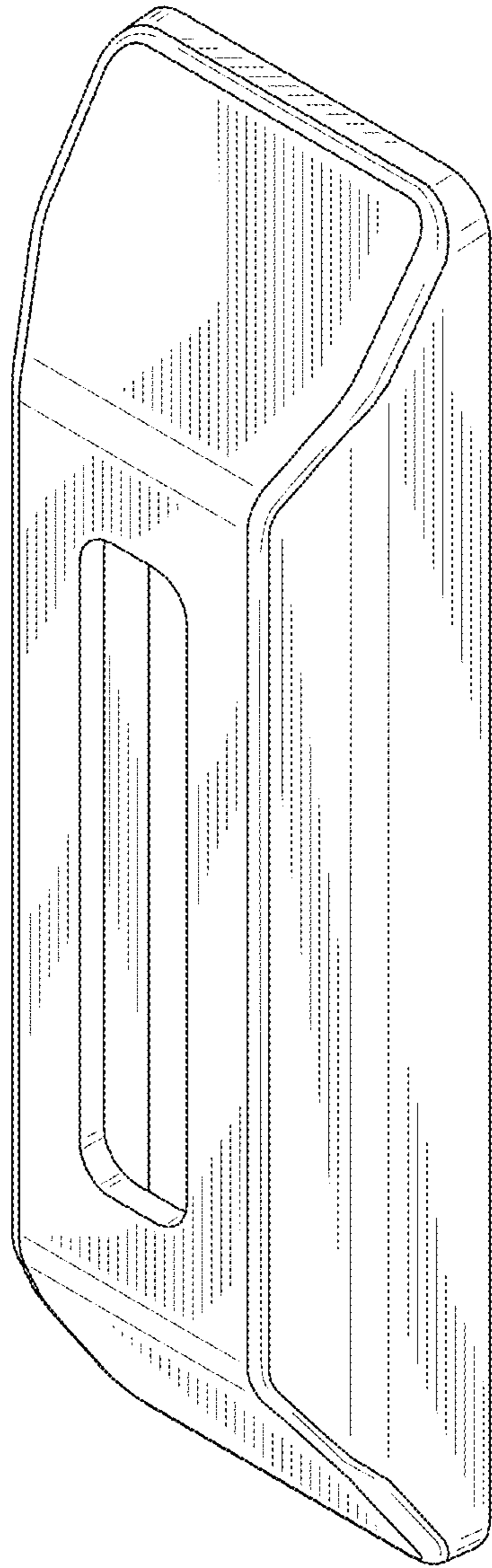


FIG. 1

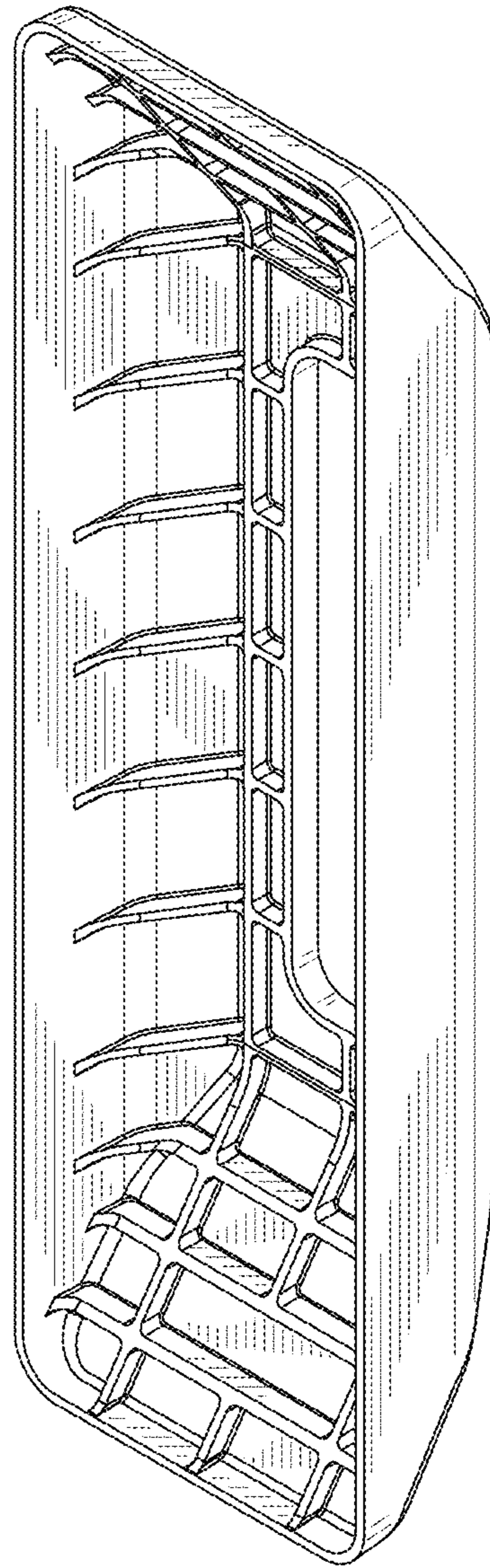


FIG. 2

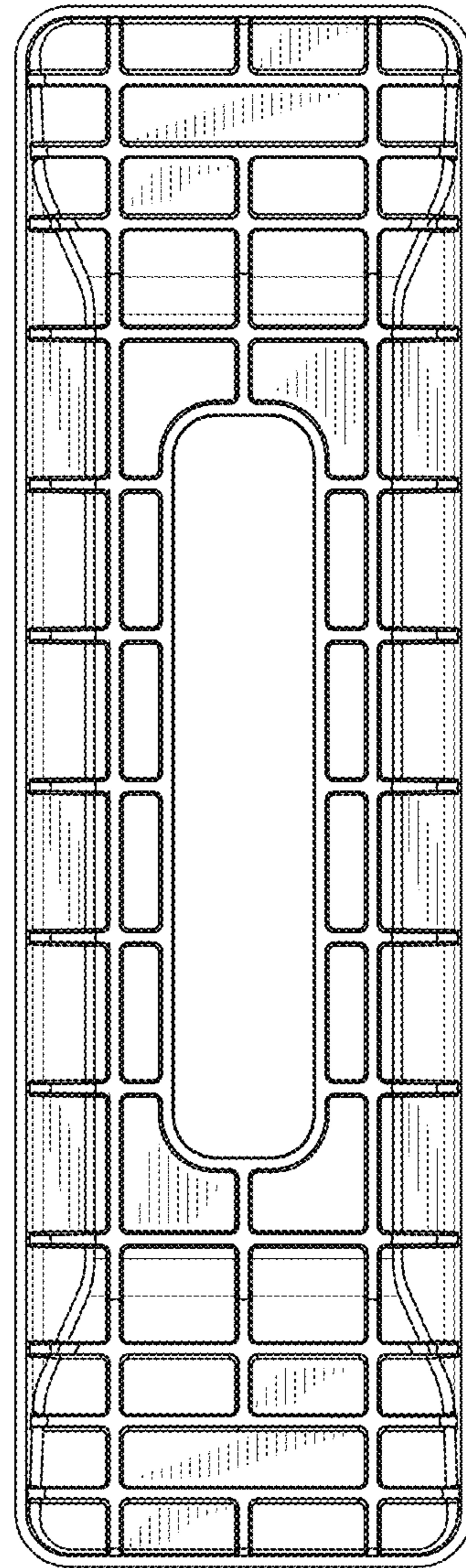
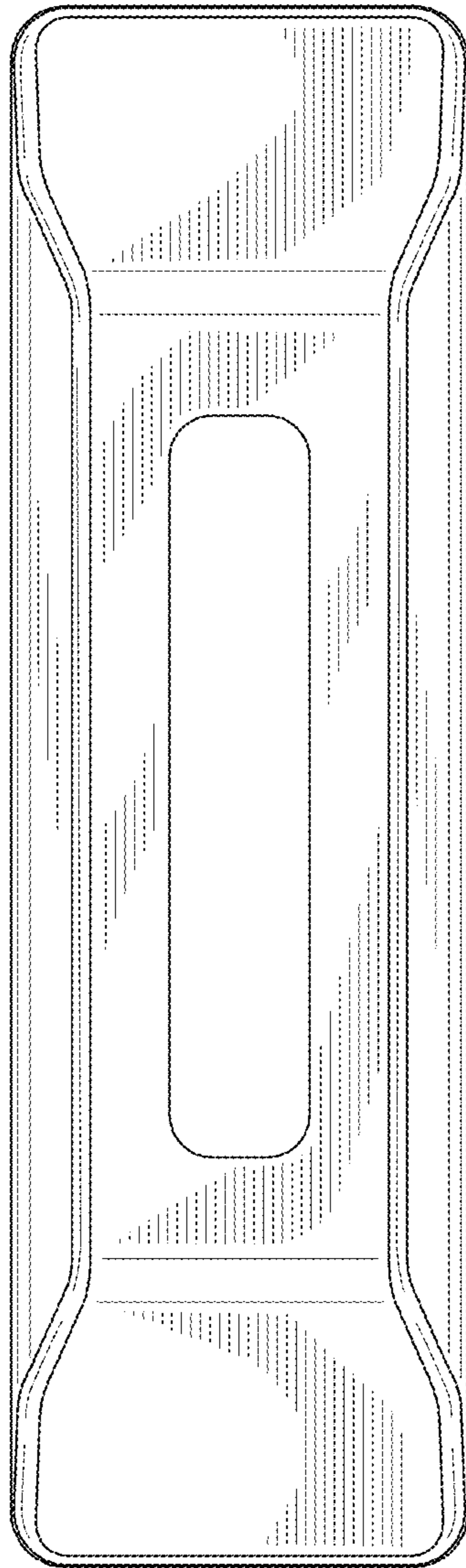


FIG. 3

FIG. 4

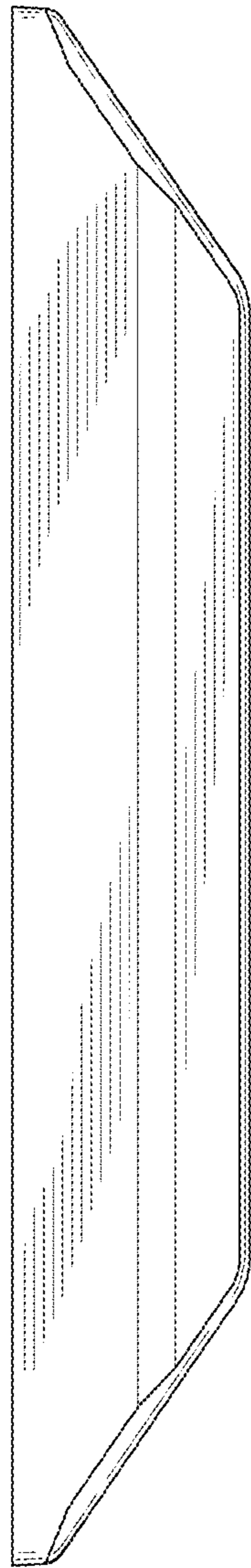


FIG. 5

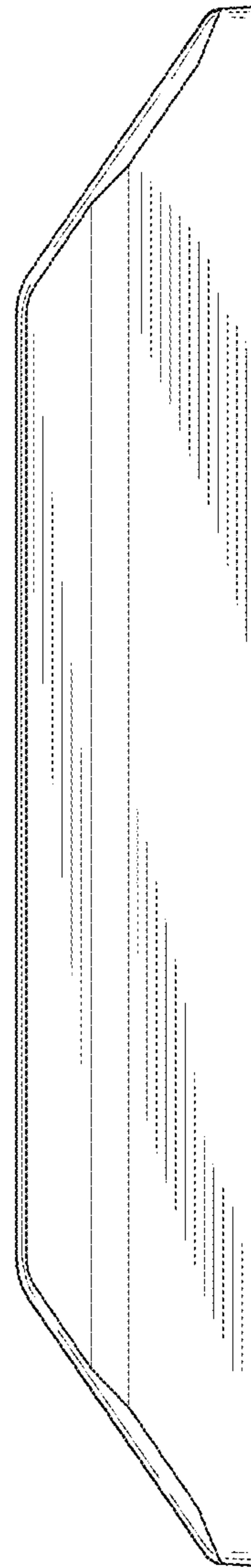


FIG. 6

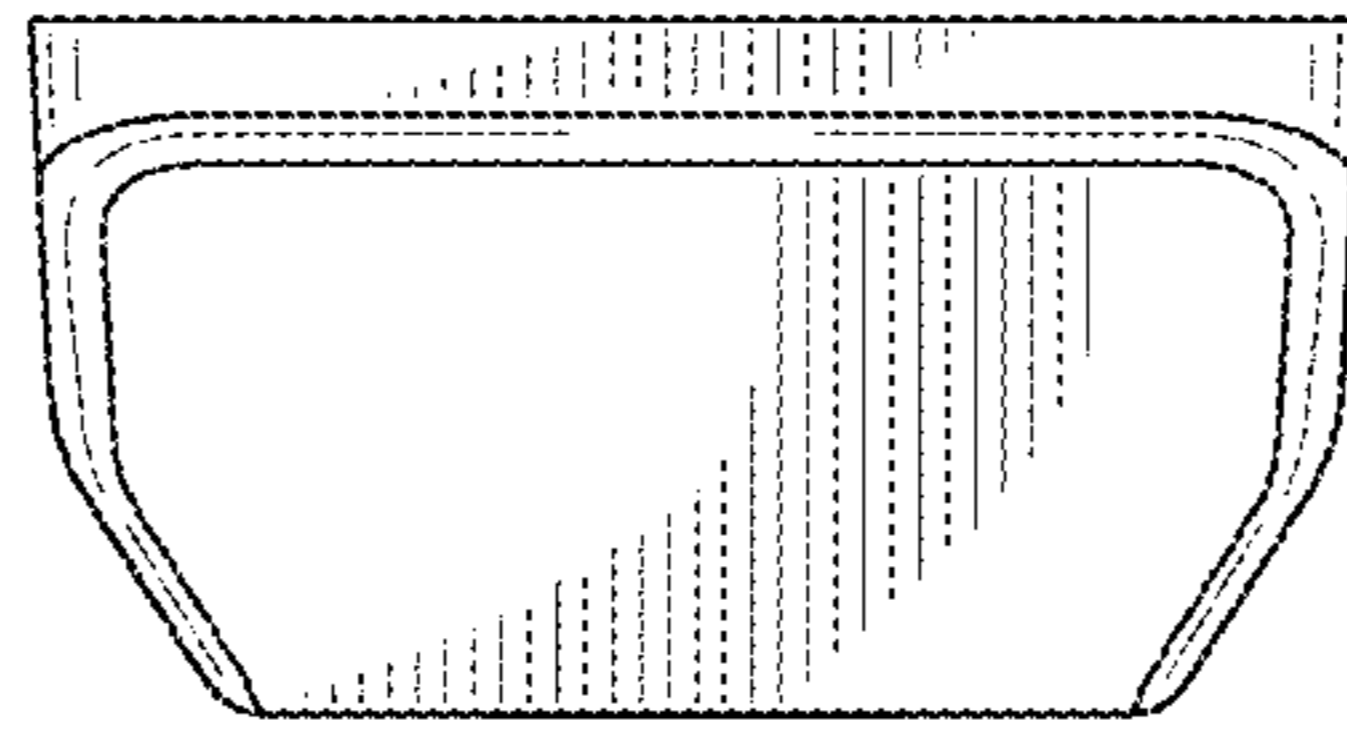


FIG. 7

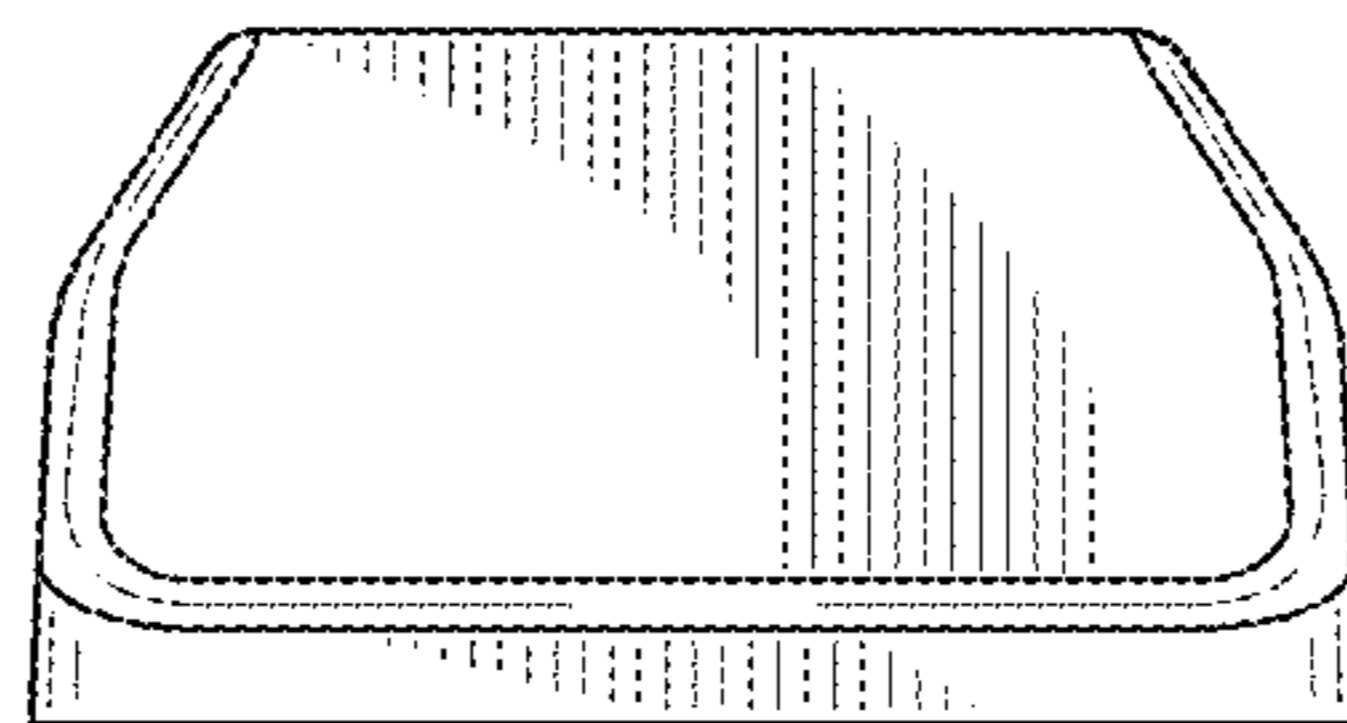


FIG. 8