



US00D804087S

(12) **United States Design Patent** (10) **Patent No.:** **US D804,087 S**
Boorum et al. (45) **Date of Patent:** **** Nov. 28, 2017**

(54) **LIGHTING ASSEMBLY BRACKET**

(71) Applicant: **QUALITE SPORTS LIGHTING, LLC**, Hillsdale, MI (US)

(72) Inventors: **M. Eric Boorum**, Jackson, MI (US);
Michael J. Boorum, Jackson, MI (US);
Nicholas D. Page, Hillsdale, MI (US);
Bret L. Buxton, Spring Lake, MI (US);
Gregory Alan Miedema, Spring Lake, MI (US)

(73) Assignee: **QUALITE SPORTS LIGHTING, LLC**, Hillsdale, MI (US)

(**) Term: **15 Years**

(21) Appl. No.: **29/561,125**

(22) Filed: **Apr. 13, 2016**

(51) **LOC (10) Cl.** **26-05**

(52) **U.S. Cl.**
USPC **D26/138**

(58) **Field of Classification Search**
USPC D8/315, 319, 320, 382, 383, 390, 394,
D8/395; D10/111-115; D13/134, 179;
D14/473; D25/126-135; D26/2, 3, 8,
D26/23-27, 37, 38, 39, 40, 44, 46, 48,
D26/49, 50, 60, 61, 63, 65, 67, 104, 113,
D26/118, 119, 138, 140-145, 148, 152,
D26/153, 155, 156
CPC F21S 8/02; F21S 8/03; F21S 8/036; F21S
8/037; F21S 8/043; F21S 8/063; F21S
8/061; F21S 8/066; F21S 6/00; F21S
6/001; F21S 10/063; F21S 13/12; F21V
21/03; F21V 21/34; F21V 23/001
See application file for complete search history.

(56) **References Cited**

U.S. PATENT DOCUMENTS

D123,048 S 10/1940 Doane
D125,120 S * 2/1941 Shulman D26/56

D127,374 S 5/1941 Jordan
D127,391 S 5/1941 Claspy
2,259,151 A 10/1941 Claspy
D165,390 S 12/1951 Perry
D193,179 S * 7/1962 Rutman D8/319
3,108,751 A 10/1963 Rodmaker et al.
D360,909 S 8/1995 Frederiksen
D370,166 S * 5/1996 Decursu D8/319
D381,760 S 7/1997 Costa
D421,505 S 3/2000 Hastings et al.
D489,472 S 5/2004 Newhouse et al.
D505,744 S 5/2005 Kan

(Continued)

OTHER PUBLICATIONS

Gamechanger (available online May 1, 2016) Retrieved from the internet Mar. 22, 2017, retrieved from the internet URL: <http://web.archive.org/web/20160501232937/http://www.qualite.com/gamechanger-q-led/>.*

Primary Examiner — Garth Rademaker

Assistant Examiner — Richard Kearney

(74) *Attorney, Agent, or Firm* — Price Heneveld LLP

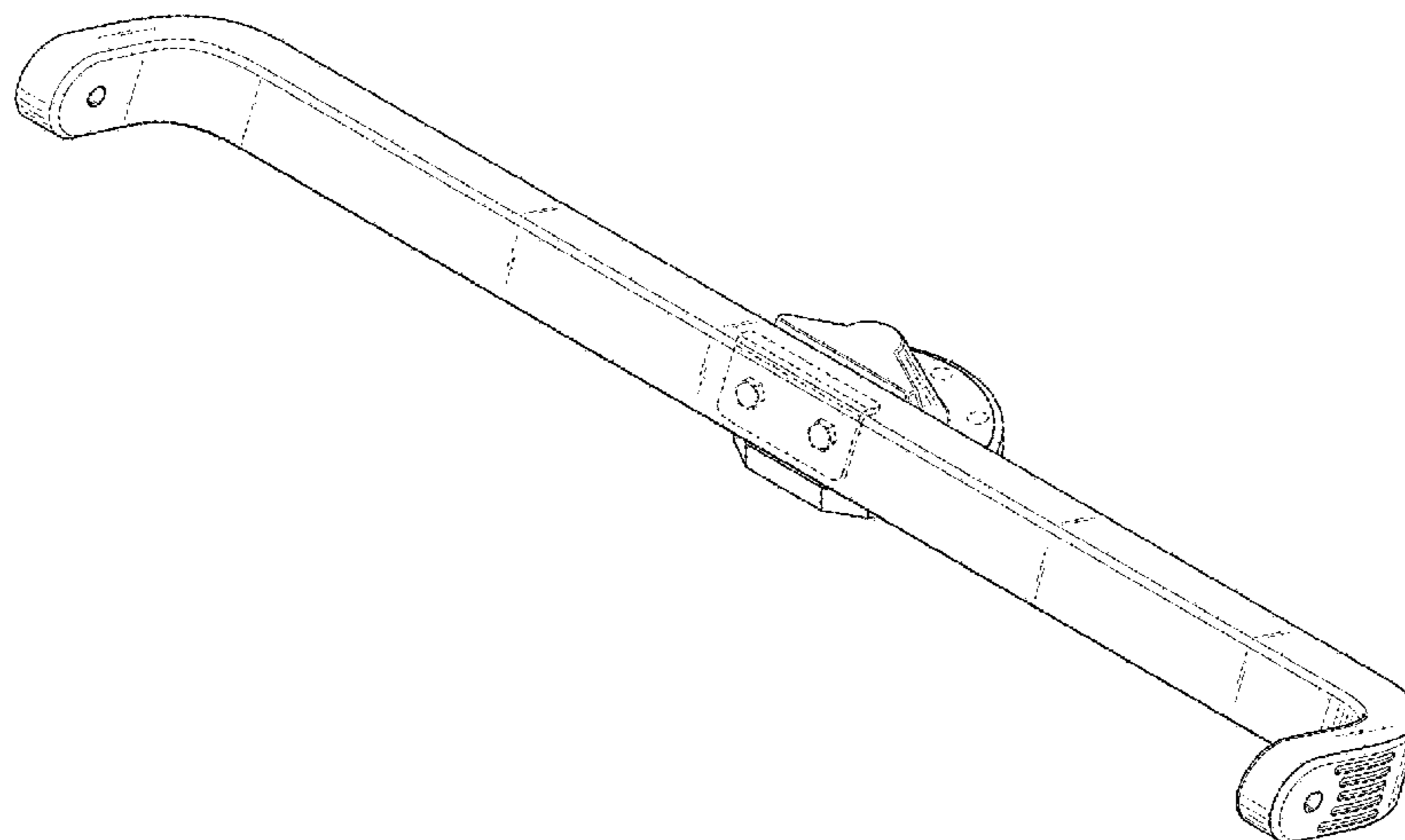
(57) **CLAIM**

The ornamental design for a lighting assembly bracket, as shown and described.

DESCRIPTION

FIG. 1 is a front perspective view of a lighting assembly bracket according to our design;
FIG. 2 is a top plan view thereof;
FIG. 3 is a bottom plan view thereof;
FIG. 4 is a front elevational view thereof;
FIG. 5 is a rear elevational view thereof;
FIG. 6 is a left elevational view thereof; and,
FIG. 7 is a right elevational view thereof.
The broken line showing of various features is for the purpose of illustrating unclaimed portions of the lighting assembly bracket and forms no part of the claimed design.

1 Claim, 4 Drawing Sheets



(56)

References Cited

U.S. PATENT DOCUMENTS

D525,386	S	7/2006	McCarthy, III	
D526,082	S	8/2006	McCarthy, III	
D543,305	S	5/2007	Wang	
D543,657	S *	5/2007	Lehman	D26/138
D572,109	S *	7/2008	Busalt	D8/316
D573,286	S *	7/2008	Zettl	D26/63
D581,080	S	11/2008	Mier-Langner	
D589,638	S	3/2009	Collins	
D603,079	S	10/2009	Toot et al.	
D607,599	S	1/2010	Zhou et al.	
D617,488	S	6/2010	Cho	
D693,048	S	11/2013	Ng et al.	
D695,943	S	12/2013	Duquette et al.	
D697,247	S	1/2014	Mollaghaffari	
D724,249	S	3/2015	Maxik et al.	
D735,385	S *	7/2015	Lee	D26/63
D736,779	S *	8/2015	Moon	D14/448
D737,493	S *	8/2015	Yasuji Fletcher	D26/63
D741,683	S *	10/2015	Park	D8/319
D754,902	S	4/2016	Parker et al.	
9,322,533	B1	4/2016	Pearson et al.	
D774,377	S *	12/2016	Hilliaho	D8/315
D776,335	S *	1/2017	Fizer	D26/138
D781,480	S *	3/2017	Zhan	D26/63
D783,874	S *	4/2017	Moller	D26/63
D785,219	S *	4/2017	Swai	D26/63
D785,220	S *	4/2017	Swai	D26/63
2005/0117333	A1	6/2005	Yoshida et al.	
2010/0254148	A1	10/2010	Huang et al.	
2010/0315812	A1	12/2010	Liu	
2011/0002124	A1 *	1/2011	Chang	F21V 19/001 362/294
2011/0051407	A1	3/2011	St Ives et al.	
2011/0141722	A1	6/2011	Acampora et al.	
2013/0271977	A1	10/2013	Ronen et al.	

* cited by examiner

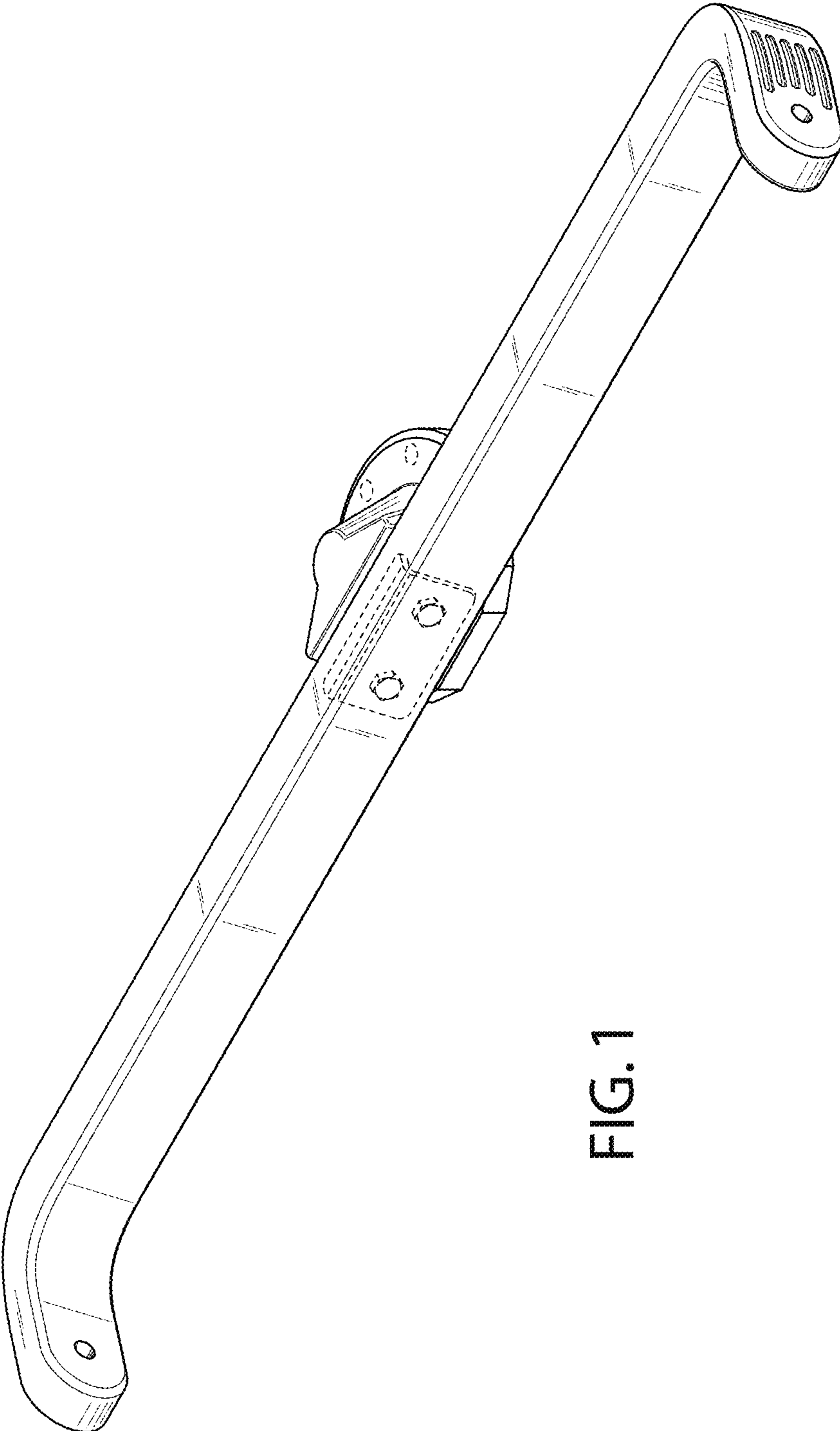
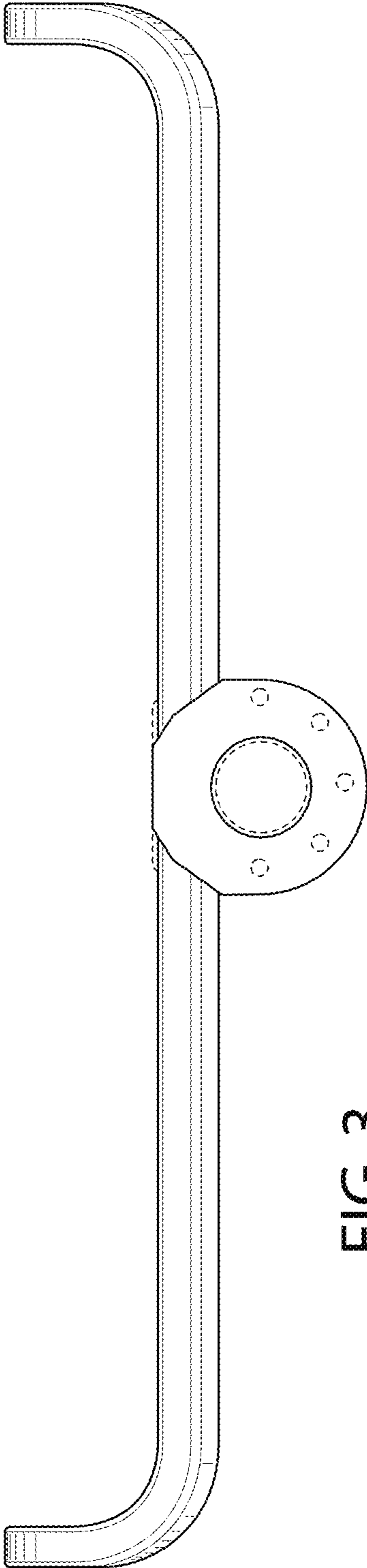
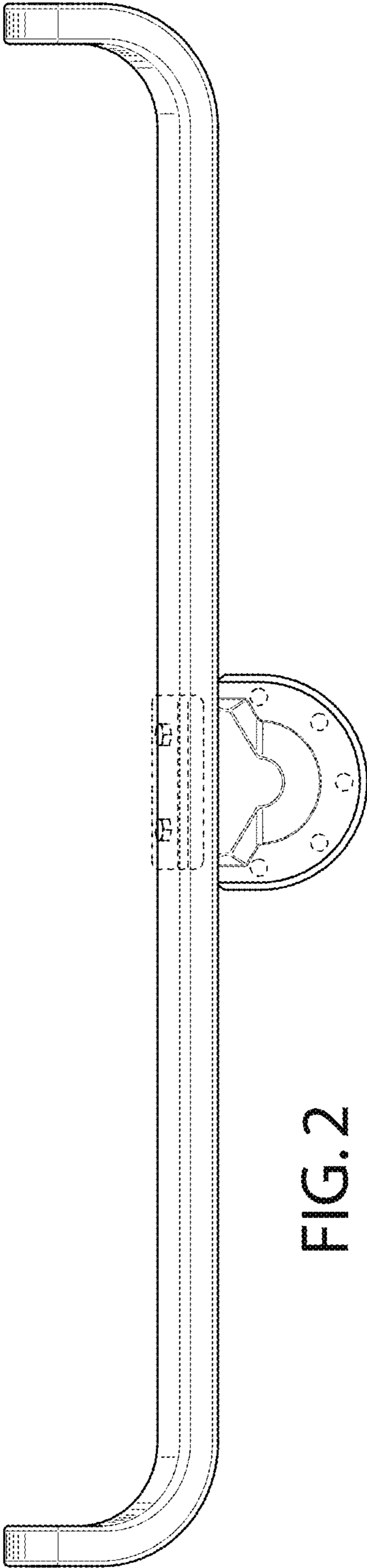


FIG. 1



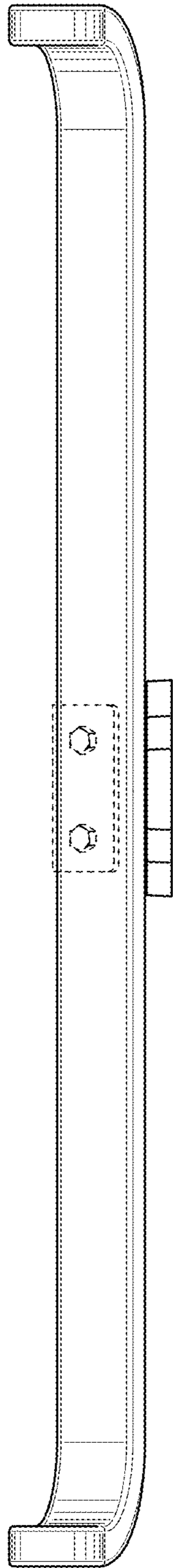


FIG. 4

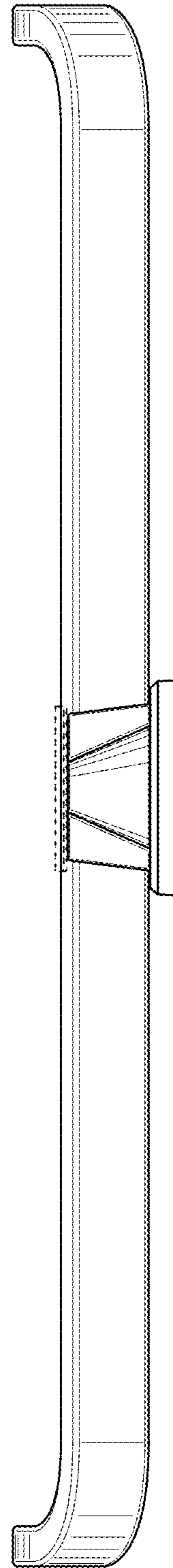


FIG. 5

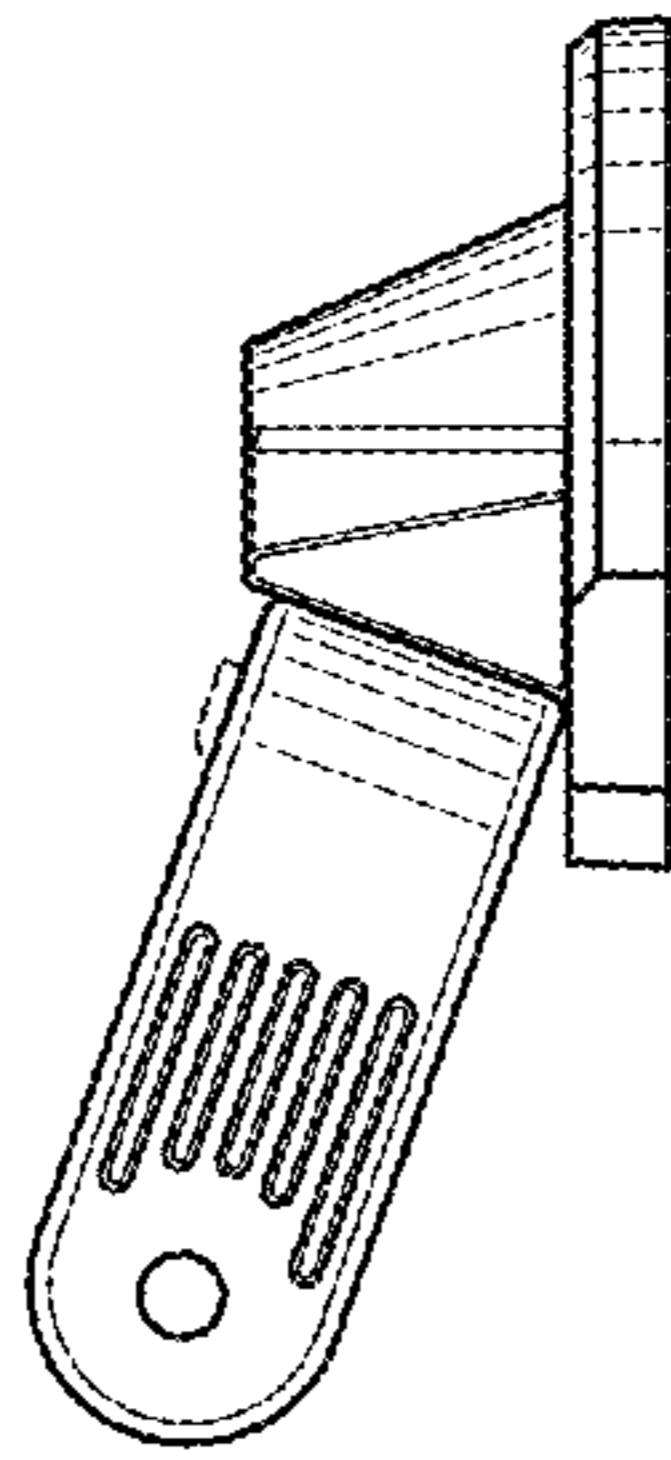


FIG. 6

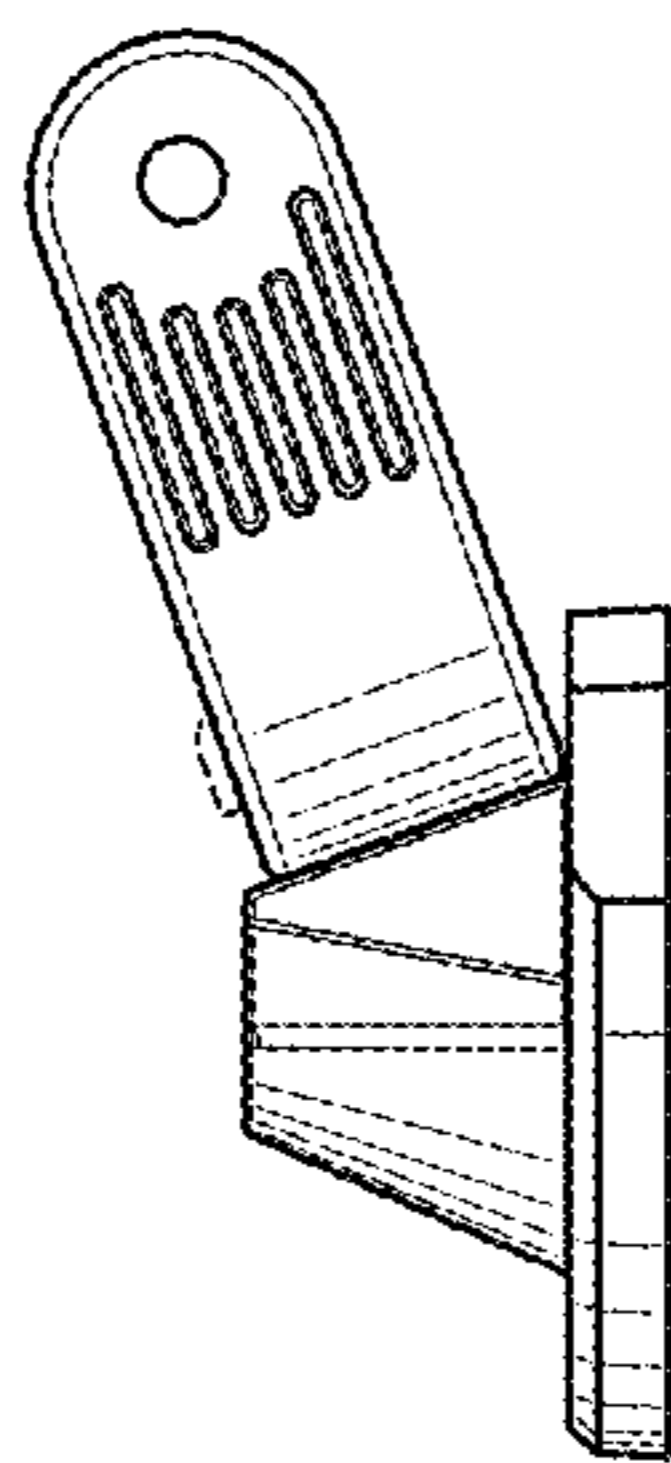


FIG. 7