



US00D804085S

(12) **United States Design Patent** (10) **Patent No.:** **US D804,085 S**
Leadford et al. (45) **Date of Patent:** **** Nov. 28, 2017**

(54) **LUMINAIRE HAVING MULTIPLE ILLUMINATION PANELS**

FOREIGN PATENT DOCUMENTS

(71) Applicant: **ABL IP Holding LLC**, Decatur, GA (US)

CA 20709 10/1956
WO 2014070684 5/2014

(72) Inventors: **Kevin F. Leadford**, Evergreen, CO (US); **Peter K. Nelson**, Denver, CO (US); **Christopher D. Slaughter**, Denver, CO (US); **Christopher J. Sorensen**, Denver, CO (US); **Carl T. Gould**, Golden, CO (US); **Joshua Miller**, Highlands Ranch, CO (US)

OTHER PUBLICATIONS

Phillips, "IntelliWhite LED Lighting", Color Kinetics, available online at <<http://www.colorkinetics.com/ls/intelliwhite/intelliwhite.html>>, May 16, 2014, 1 page.

(Continued)

(73) Assignee: **ABL IP Holding LLC**, Atlanta, GA (US)

Primary Examiner — Brian N Vinson

(74) *Attorney, Agent, or Firm* — Kilpatrick Townsend & Stockton, LLP

(**) Term: **15 Years**

(57) **CLAIM**

The ornamental design for a luminaire having multiple illumination panels, as shown and described.

(21) Appl. No.: **29/561,931**

DESCRIPTION

(22) Filed: **Apr. 21, 2016**

(51) **LOC (10) Cl.** **26-99**

(52) **U.S. Cl.**
USPC **D26/120**

(58) **Field of Classification Search**
USPC D26/74, 72, 75, 76, 77, 808, 85, 88, 89, D26/118, 113, 120
CPC F21V 29/2262; F21V 7/06; F21V 21/044; F21V 21/047; F21V 29/2212; F21V 29/2225; F21V 29/2256; F21V 29/225;

FIG. 1 is a plan view, as seen from below, of the luminaire having multiple illumination panels;
FIG. 2 is a perspective view, as seen from below, of the luminaire having multiple illumination panels; and
FIG. 3 is a plan view, as seen from below, of the luminaire having multiple illumination panels, with a first one of the illumination panels being illuminated from within; and
FIG. 4 is a plan view, as seen from below, of the luminaire having multiple illumination panels, with a second one of the illumination panels being illuminated from within.

Light broken lines represent portions of the luminaire which form no part of the claimed design. Heavy broken lines represent an unclaimed boundary between the claimed design and those portions of the luminaire which form no part of the claimed design. The broken radiating lines which emanate from portions of the claimed design indicate only that the portion is illuminated, but otherwise form no part of the claimed design.

(Continued)

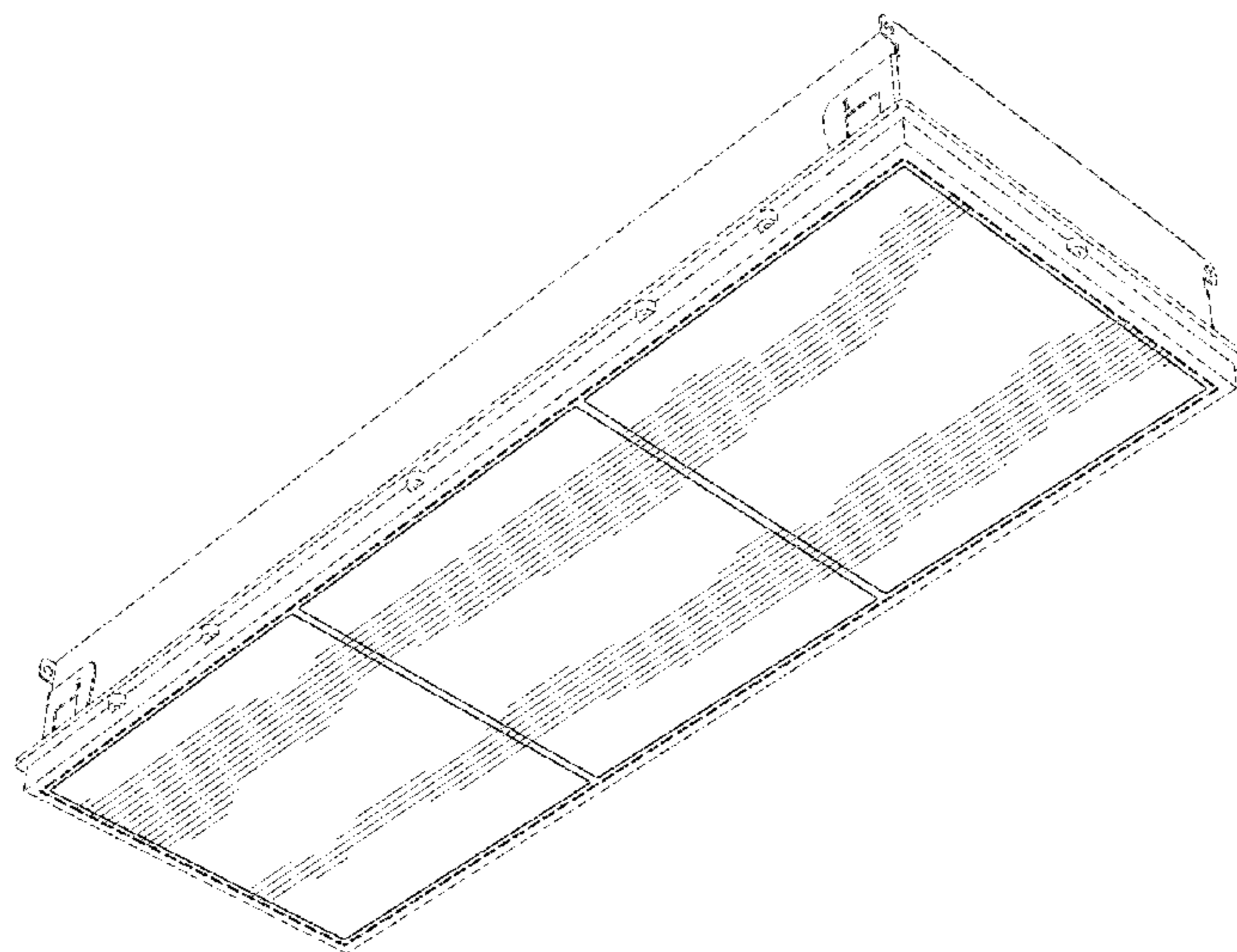
(56) **References Cited**

U.S. PATENT DOCUMENTS

D123,048 S * 10/1940 Doane D26/76
D212,722 S * 11/1968 Kahn D26/76
D480,494 S * 10/2003 Targetti D26/77

(Continued)

1 Claim, 4 Drawing Sheets



(58) **Field of Classification Search**

CPC ... F21V 29/2268; F21Y 2111/002; F21S 8/02;
F21S 8/026

See application file for complete search history.

(56) **References Cited**

U.S. PATENT DOCUMENTS

D625,877	S	*	10/2010	Hsu	D26/80
D633,244	S	*	2/2011	Kramer	D26/80
D661,421	S	*	6/2012	Hor	D26/84
8,328,375	B2		12/2012	Diekmann et al.		
8,829,822	B2		9/2014	Laski et al.		
D784,593	S	*	4/2017	Ambrozus	D26/74
2015/0289344	A1		10/2015	Leadford et al.		
2015/0345724	A1		12/2015	Leadford et al.		

OTHER PUBLICATIONS

Office Action for Canadian Industrial Design Application No. CA 171,139, dated Jul. 17, 2017, (1 page).

Office Action for Canadian Industrial Design Application No. CA 171,141, dated Jul. 17, 2017, (1 page).

Office Action for Canadian Industrial Design Application No. CA 171,142, dated Jul. 17, 2017, (1 page).

* cited by examiner

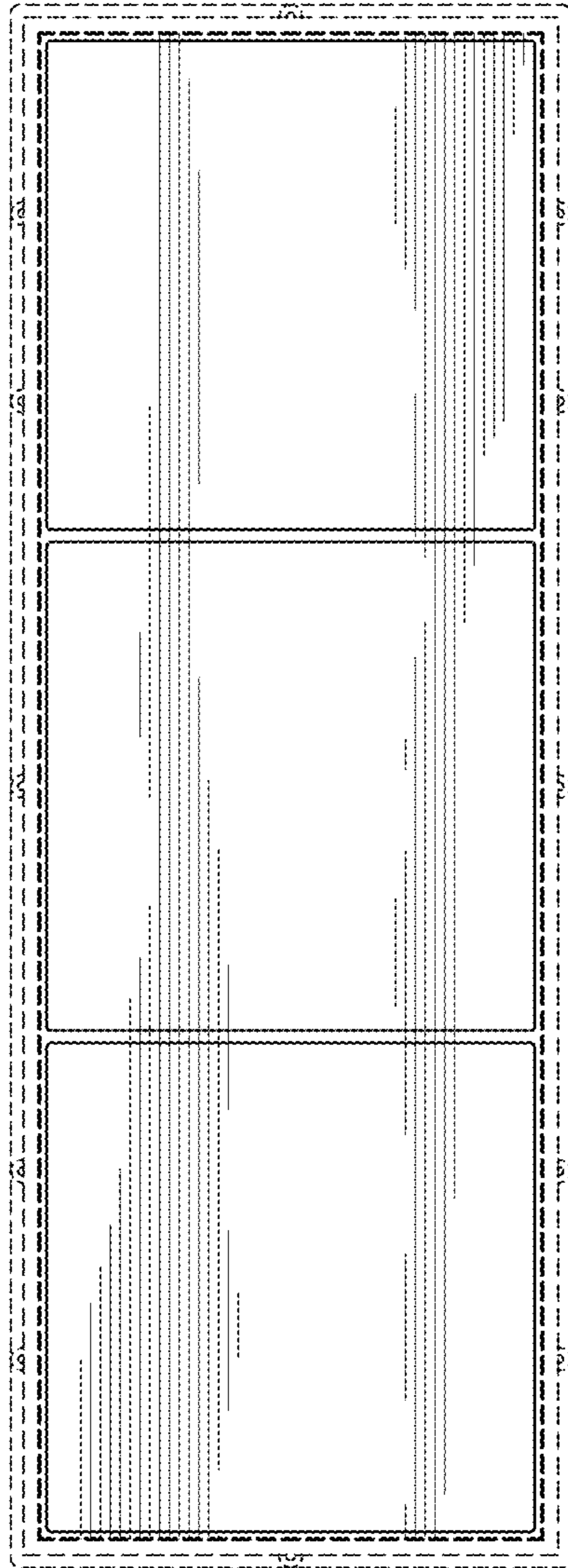


FIG. 1

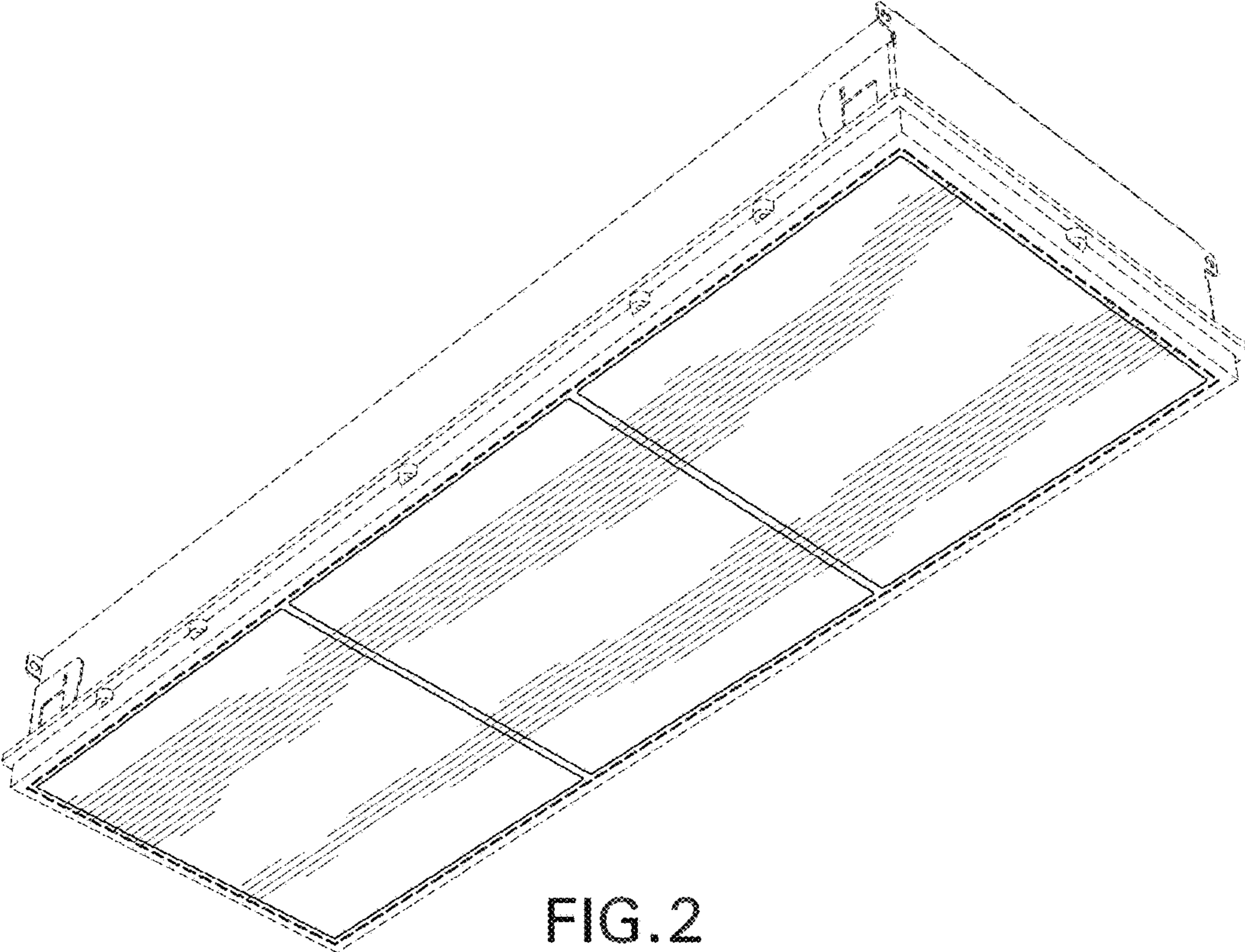


FIG. 2

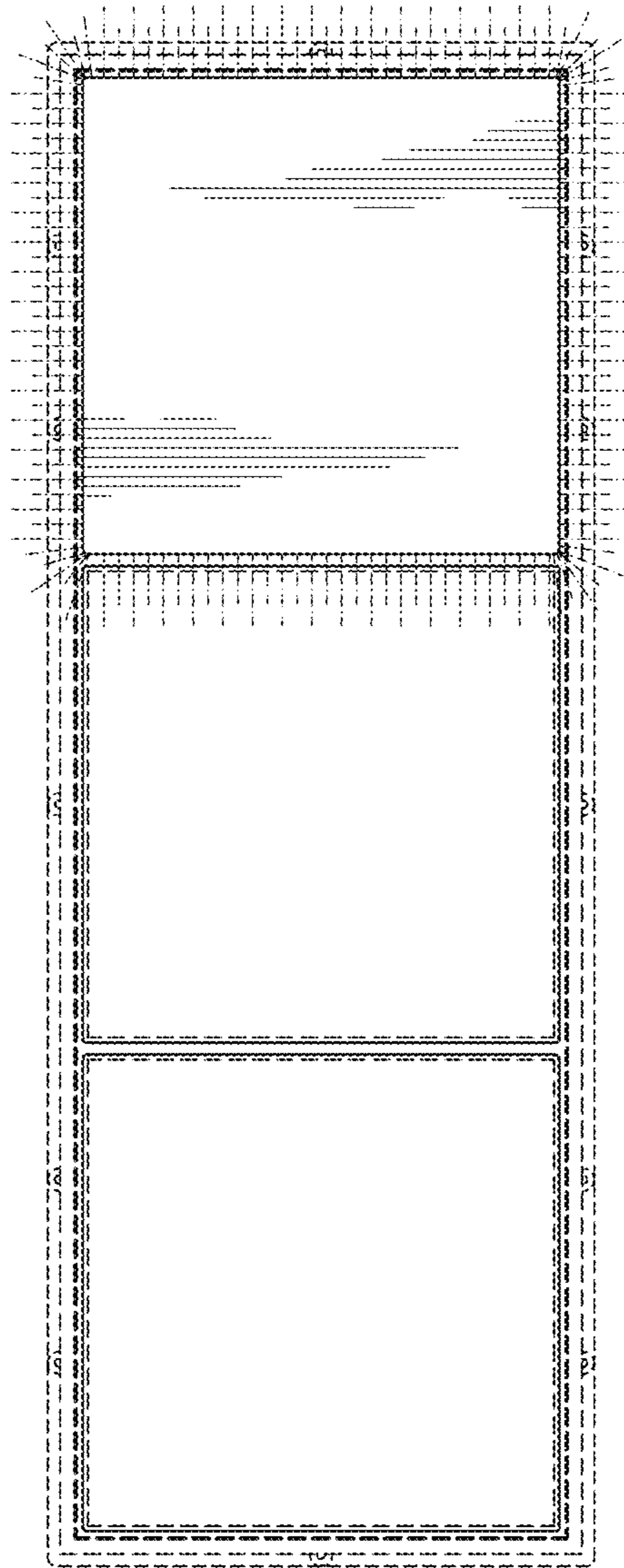


FIG. 3

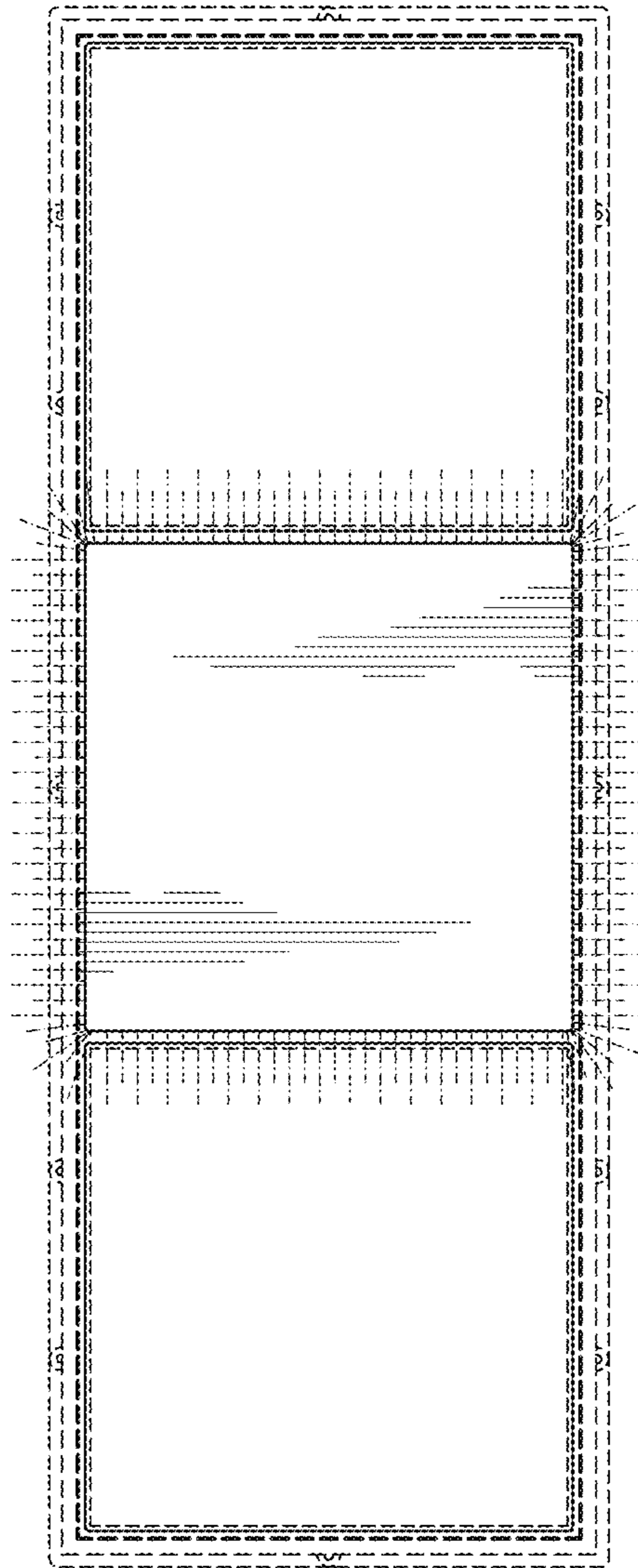


FIG. 4