



US00D804084S

(12) **United States Design Patent** (10) **Patent No.:** **US D804,084 S**  
**Radl et al.** (45) **Date of Patent:** **\*\* Nov. 28, 2017**

(54) **LENS**

(71) Applicants: **Bruce Radl**, Stow, MA (US); **Zhuo Wang**, Middleton, MA (US); **Yvetta Pols Sandhu**, Winchester, MA (US)

(72) Inventors: **Bruce Radl**, Stow, MA (US); **Zhuo Wang**, Middleton, MA (US); **Yvetta Pols Sandhu**, Winchester, MA (US)

(73) Assignee: **OSRAM SYLVANIA Inc.**, Wilmington, MA (US)

(\*\*) Term: **15 Years**

(21) Appl. No.: **29/543,145**

(22) Filed: **Oct. 21, 2015**

**Related U.S. Application Data**

(62) Division of application No. 29/492,041, filed on May 28, 2014, now Pat. No. Des. 744,155.

(51) **LOC (10) Cl.** ..... **26-99**

(52) **U.S. Cl.**  
USPC ..... **D26/120**

(58) **Field of Classification Search**  
USPC ... D26/9, 10, 12, 13, 15, 16, 24, 51, 61, 72,  
D26/76, 80, 81, 85, 86, 88, 90, 113, 118,  
(Continued)

(56) **References Cited**

**U.S. PATENT DOCUMENTS**

1,357,034 A \* 10/1920 D Humy ..... F21V 7/04  
362/240  
1,555,397 A \* 9/1925 Dean ..... F21V 11/00  
362/186

(Continued)

**OTHER PUBLICATIONS**

Moiré Diffractive Optical Element, image post date Jun. 25, 2012, site visited Jan. 20, 2015, (online), <<https://www.i-med.ac.at/dpmp/bmp/research/patents/MDOEs.html>>.\*

(Continued)

*Primary Examiner* — Kevin Rudzinski

*Assistant Examiner* — Sean D Lough

(74) *Attorney, Agent, or Firm* — Shaun P. Montana

(57) **CLAIM**

The ornamental design for a lens, as shown and described.

**DESCRIPTION**

FIG. 1 is a perspective view of a first embodiment of the ornamental design of a lens.

FIG. 2 is a perspective view of a second embodiment of the ornamental design of a lens.

FIG. 3 is a top view of the first embodiment of the ornamental design for the lens.

FIG. 4 is a top view of the second embodiment of the ornamental design for the lens.

FIG. 5 is a back view of the first embodiment of the ornamental design for the lens, the back view of the second embodiment of the ornamental design for the lens being exactly the same.

FIG. 6 is a front view of the first embodiment of the ornamental design for the lens.

FIG. 7 is a right side view of the first embodiment of the ornamental design for the lens.

FIG. 8 is a left side view of the first embodiment of the ornamental design for the lens.

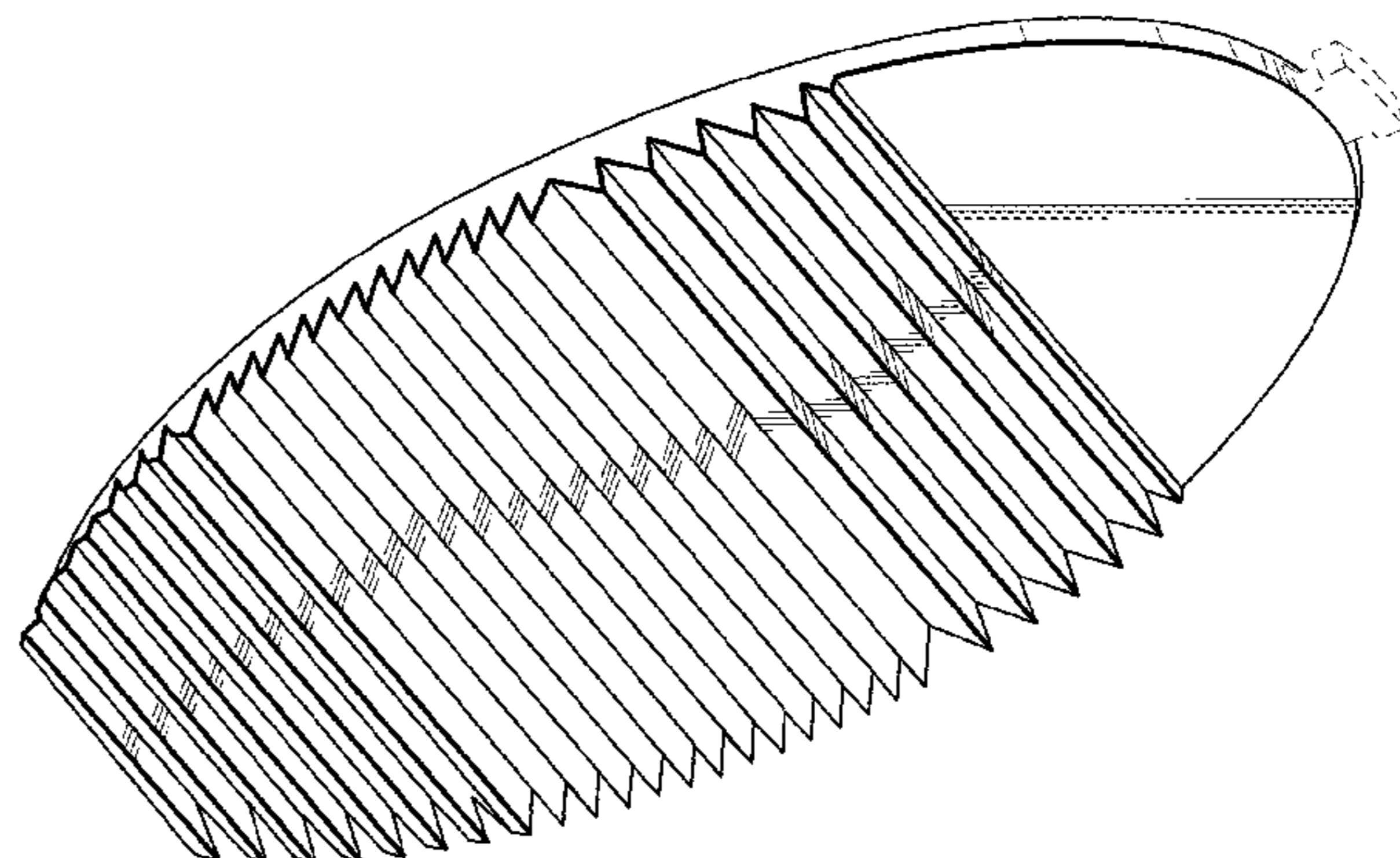
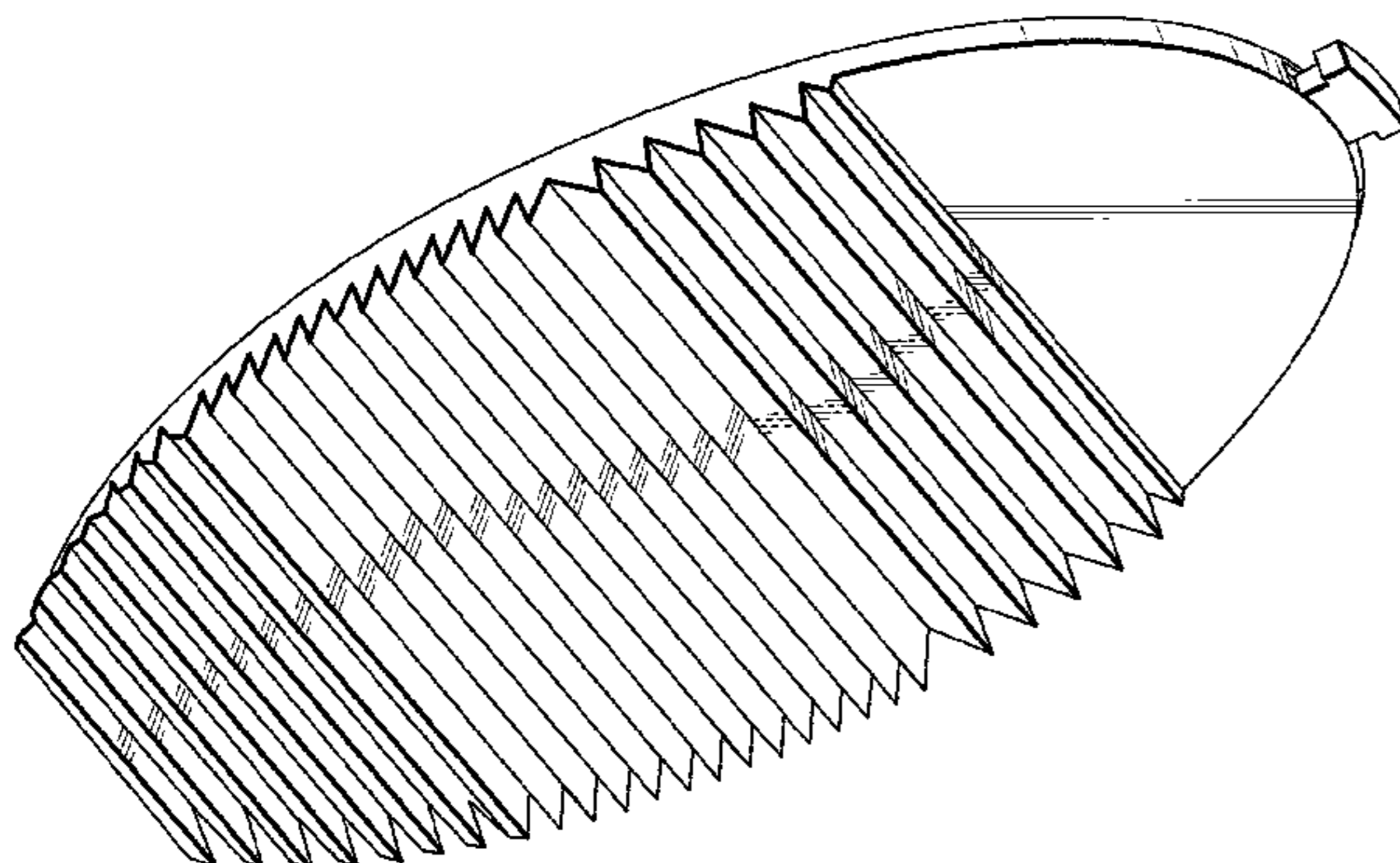
FIG. 9 is a front view of the second embodiment of the ornamental design of the lens.

FIG. 10 is a right side view of the second embodiment of the ornamental design of the lens; and,

FIG. 11 is a left side view of the second embodiment of the ornamental design of the lens.

The broken-line disclosure in the views is understood to represent portions of the article in which the claimed design is embodied, but which form no part of the claimed design.

**1 Claim, 6 Drawing Sheets**



(58) **Field of Classification Search**  
 USPC ..... D26/119, 120, 122, 128, 129, 138, 143,  
 D26/144; D13/180  
 CPC ..... F21V 21/02; F21V 29/004; F21V 21/04;  
 F21V 29/2212; F21S 8/026; F21S 8/04;  
 F21Y 2101/02; B60Q 1/04; B60Q 1/26  
 See application file for complete search history.

(56) **References Cited**

U.S. PATENT DOCUMENTS

2,454,332 A \* 11/1948 Mitchell ..... F21V 5/04  
 362/337  
 2,547,342 A \* 4/1951 Nirdlinger ..... G09F 19/00  
 362/125  
 2,748,263 A \* 5/1956 Franck ..... F21S 8/00  
 362/333  
 2,929,631 A \* 3/1960 Gillon ..... A63B 24/0003  
 280/DIG. 1  
 3,522,863 A \* 8/1970 Ignoffo ..... F01N 1/10  
 181/252  
 3,708,222 A \* 1/1973 Stern ..... B60R 1/082  
 359/851  
 3,720,432 A \* 3/1973 Chudler ..... E04B 9/003  
 292/220  
 3,797,915 A \* 3/1974 Land ..... G03B 13/02  
 359/742  
 3,883,733 A \* 5/1975 Nagel ..... B29D 11/0074  
 359/708  
 4,307,711 A \* 12/1981 Doundoulakis ..... F24J 2/06  
 126/600  
 4,488,208 A \* 12/1984 Miller ..... F21S 8/02  
 362/216  
 D297,267 S \* 8/1988 Scowen ..... D26/122  
 5,247,390 A \* 9/1993 Hed ..... F21V 5/00  
 359/599  
 5,296,882 A \* 3/1994 Nelson ..... G03B 21/132  
 353/38  
 5,317,349 A \* 5/1994 Vanderwerf ..... G02B 3/08  
 353/102  
 6,290,374 B1 \* 9/2001 Shieh ..... F21S 48/2212  
 362/331  
 6,994,456 B1 \* 2/2006 Russo ..... F21S 8/02  
 362/147  
 7,025,482 B2 \* 4/2006 Yamashita ..... G02B 6/0018  
 362/348  
 7,529,461 B1 \* 5/2009 Chen ..... G02B 6/0038  
 362/620  
 7,733,580 B2 \* 6/2010 Ieda ..... G02B 3/08  
 359/742  
 D634,883 S \* 3/2011 Kim ..... D26/120  
 8,068,288 B1 \* 11/2011 Pitou ..... G02B 3/08  
 359/743  
 8,167,462 B2 \* 5/2012 Kim ..... F21S 8/08  
 362/311.02  
 D666,940 S \* 9/2012 Dunn ..... D11/184  
 D698,481 S \* 1/2014 Wasserman ..... D26/120  
 D712,087 S \* 8/2014 Kjaergaard Toft ..... D26/123  
 D720,880 S \* 1/2015 Schuyler ..... D26/134  
 D721,200 S \* 1/2015 Kim ..... D26/122  
 D723,211 S \* 2/2015 Hsu ..... D26/122  
 9,156,395 B2 \* 10/2015 Kumar ..... B60Q 1/00  
 D744,155 S \* 11/2015 Radl ..... D26/120  
 D744,694 S \* 12/2015 Goltche ..... D26/120  
 D745,000 S \* 12/2015 Lim ..... D14/341  
 D745,713 S \* 12/2015 Hansen ..... D26/28  
 D752,796 S \* 3/2016 Baba ..... D26/51  
 D762,893 S \* 8/2016 Hsu ..... D26/28  
 D767,190 S \* 9/2016 Tsai ..... D26/63  
 D767,198 S \* 9/2016 Chan ..... D26/118  
 2004/0028503 A1 \* 2/2004 Charles ..... F16B 17/002  
 411/510  
 2004/0068262 A1 \* 4/2004 Lemos ..... A61F 2/0811  
 424/426

2004/0105171 A1 \* 6/2004 Minano ..... G02B 3/08  
 359/728  
 2005/0194579 A1 \* 9/2005 Hakim ..... A47G 27/0493  
 254/209  
 2006/0291243 A1 \* 12/2006 Niioka ..... G02B 3/08  
 362/607  
 2007/0076435 A1 \* 4/2007 Chang ..... G02B 6/0038  
 362/626  
 2007/0147041 A1 \* 6/2007 Shiratsuchi ..... F21V 5/007  
 362/268  
 2008/0130309 A1 \* 6/2008 Condon ..... B60Q 1/34  
 362/520  
 2008/0247188 A1 \* 10/2008 Woodward ..... F21S 48/1154  
 362/554  
 2008/0310159 A1 \* 12/2008 Chinniah ..... F21S 48/1154  
 362/244  
 2009/0040769 A1 \* 2/2009 Parkyn ..... F21V 5/04  
 362/310  
 2009/0116217 A1 \* 5/2009 Teng ..... F21K 9/64  
 362/84  
 2009/0161372 A1 \* 6/2009 Fay ..... F21V 21/002  
 362/382  
 2009/0273933 A1 \* 11/2009 Woodward ..... F21V 7/0091  
 362/297  
 2009/0279306 A1 \* 11/2009 Wang ..... F21V 5/002  
 362/307  
 2009/0279311 A1 \* 11/2009 Yu ..... F21K 9/00  
 362/310  
 2010/0061090 A1 \* 3/2010 Bergman ..... F21V 5/007  
 362/231  
 2010/0061105 A1 \* 3/2010 Shyu ..... F21V 5/045  
 362/311.02  
 2010/0178046 A1 \* 7/2010 Moon ..... F21L 4/02  
 396/155  
 2011/0031864 A1 \* 2/2011 Rebergen ..... F21K 9/00  
 313/11  
 2011/0228403 A1 \* 9/2011 Masuda ..... B60R 1/001  
 359/630  
 2012/0051058 A1 \* 3/2012 Sharma ..... F04B 43/046  
 362/294  
 2012/0119638 A1 \* 5/2012 Sato ..... H01L 33/644  
 313/46  
 2012/0126268 A1 \* 5/2012 Seo ..... F21S 6/003  
 257/98  
 2012/0140483 A1 \* 6/2012 Chang ..... F21V 13/04  
 362/309  
 2012/0217897 A1 \* 8/2012 Gordin ..... F21S 8/086  
 315/294  
 2013/0060337 A1 \* 3/2013 Petersheim ..... A61F 2/447  
 623/17.16  
 2013/0176722 A1 \* 7/2013 Lay ..... F21S 8/04  
 362/231  
 2013/0242568 A1 \* 9/2013 Asai ..... F21V 5/02  
 362/311.06  
 2014/0043846 A1 \* 2/2014 Yang ..... G02B 6/0035  
 362/606  
 2014/0049939 A1 \* 2/2014 Kuenzler ..... F21K 9/64  
 362/84  
 2014/0204592 A1 \* 7/2014 Miyashita ..... F21S 48/115  
 362/311.06  
 2014/0247331 A1 \* 9/2014 Hofmann ..... G02C 7/02  
 348/62  
 2014/0369031 A1 \* 12/2014 Livesay ..... H01L 33/642  
 362/147  
 2015/0023023 A1 \* 1/2015 Livesay ..... H01L 33/642  
 362/294  
 2015/0345742 A1 \* 12/2015 Radl ..... F21V 7/0091  
 362/309  
 2016/0223157 A1 \* 8/2016 Saito ..... G02B 19/0028

OTHER PUBLICATIONS

Fresnel lens, image post date 1823, site visited Jan. 20, 2015,  
 (online), <<http://www.adena.co.nz/theatre/tech-reference/how-things-work/luminaire-fresnel/fresnel-spots.htm>>.\*

(56)

**References Cited**

OTHER PUBLICATIONS

1937 Pontiac 6 lenses, image post date 1937, site visited Jan. 20, 2015, (online), <[http://www.caroholic.com/37\\_pontiac.htm](http://www.caroholic.com/37_pontiac.htm)>.\*

MicroStructured Grooves, image post date Apr. 15, 2011, site visited Oct. 1, 2016, (online), <<http://web.archive.org/web/20110415014432/http://www.10xmicro.com/id31.htm>>.\*

Short-Gradient PC Sun Lenses, image post date Apr. 27, 2010, site visited Oct. 1, 2016, (online), <<http://www.hongtaig.com/en/newsde.aspx?newsCateID=115&CateID=115&NewsID=136>>.\*

\* cited by examiner

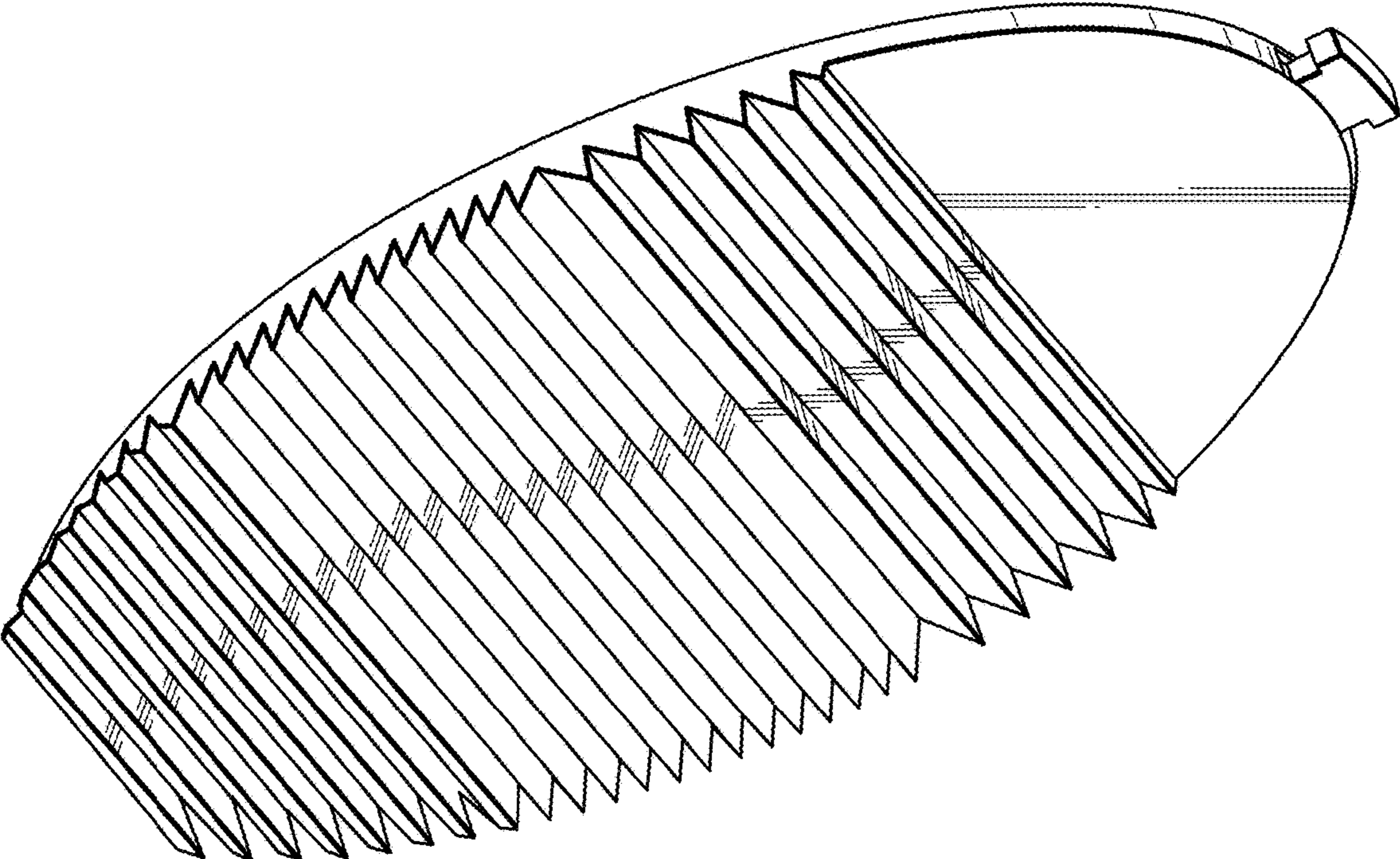


FIG. 1

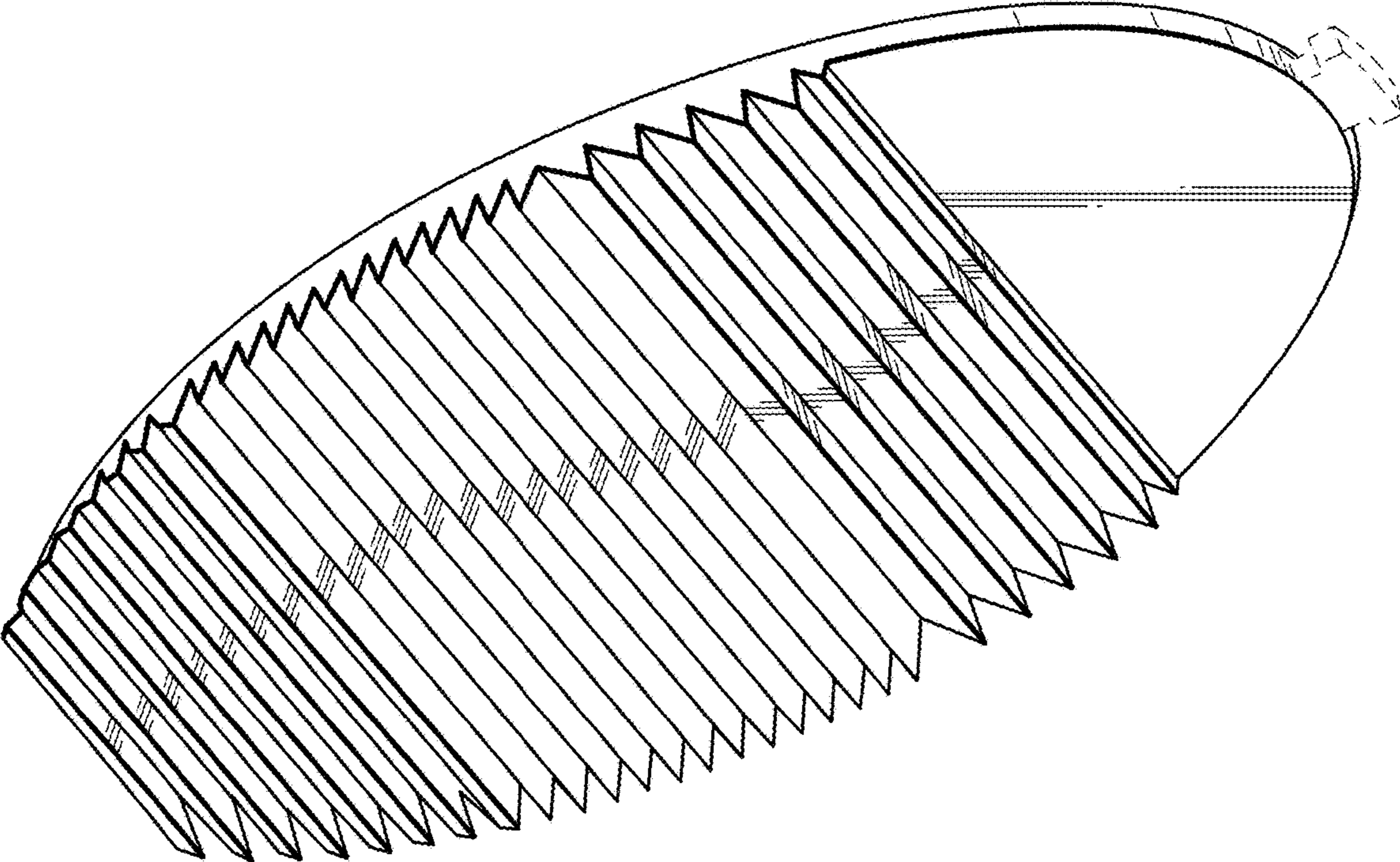


FIG. 2

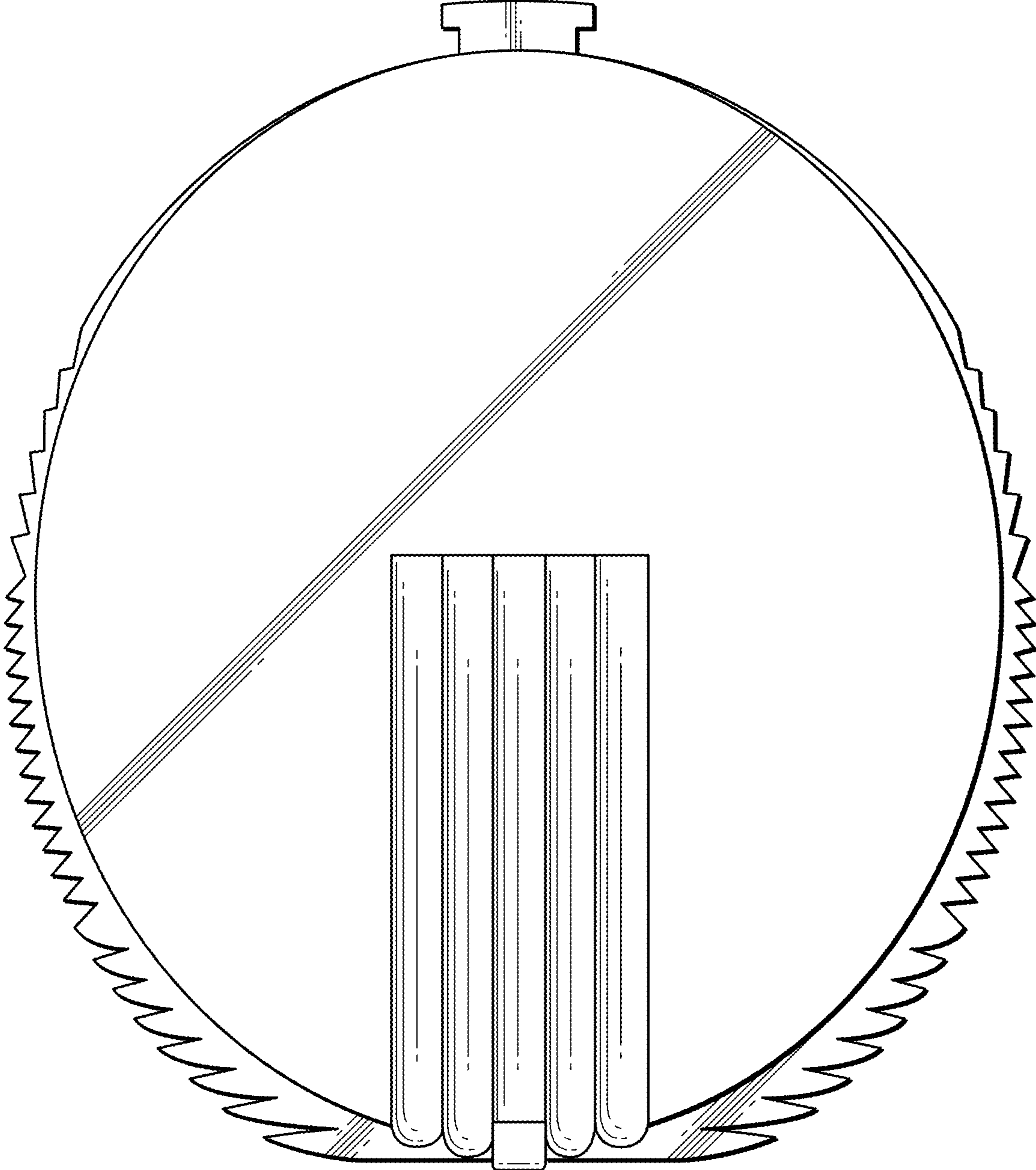


FIG. 3

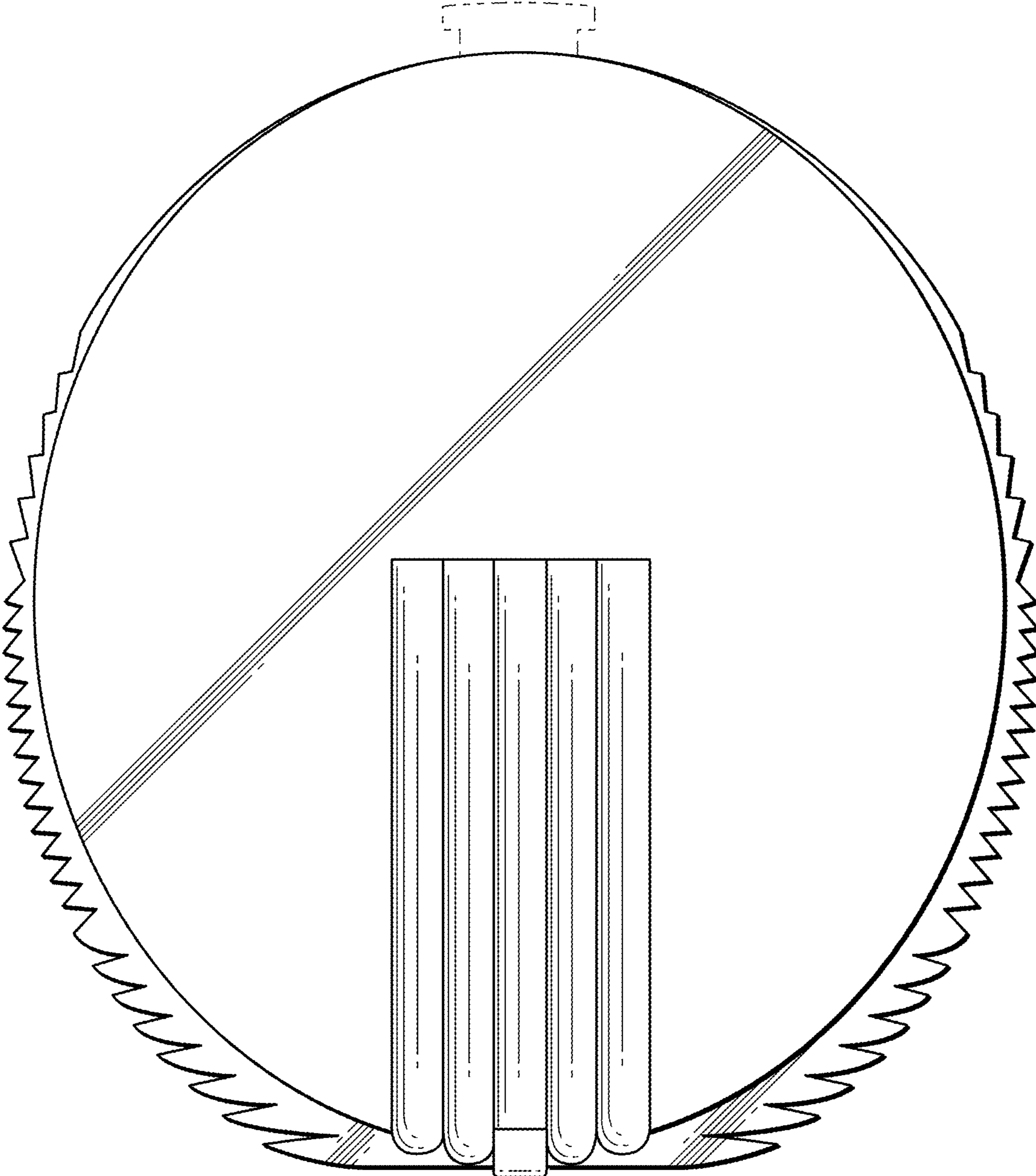


FIG. 4



FIG. 5

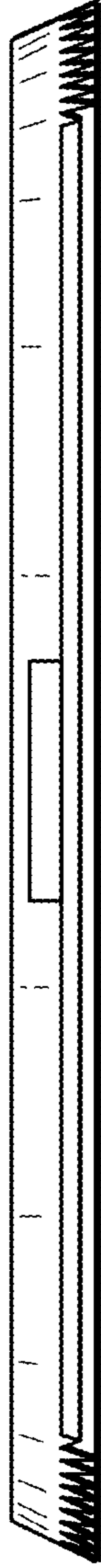


FIG. 6



FIG. 7

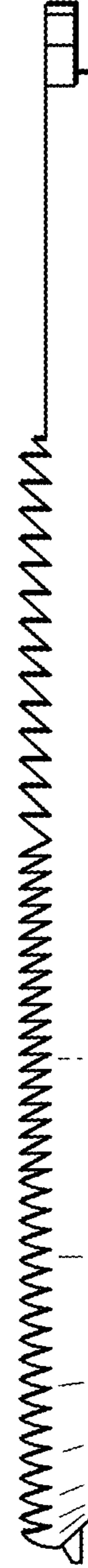


FIG. 8



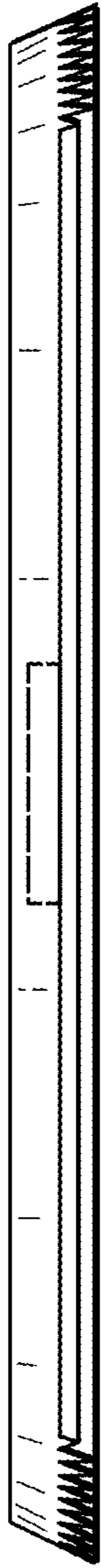


FIG. 9



FIG. 10



FIG. 11