



US00D804083S

(12) **United States Design Patent** (10) **Patent No.:** **US D804,083 S**
Lentine (45) **Date of Patent:** **** Nov. 28, 2017**

- (54) **LANDSCAPE LIGHT**
- (71) Applicant: **Telebrands Corp.**, Fairfield, NJ (US)
- (72) Inventor: **Lou Lentine**, Chattanooga, TN (US)
- (73) Assignee: **Telebrands Corp.**, Fairfield, NJ (US)
- (**) Term: **15 Years**
- (21) Appl. No.: **29/562,916**
- (22) Filed: **Apr. 29, 2016**

- 4,557,055 A 12/1985 Arai
- D282,104 S 1/1986 Taylor
- 4,779,176 A 10/1988 Bornhorst
- 4,814,961 A 3/1989 O'Brien
- 5,036,447 A 7/1991 Taylor
- D323,406 S 1/1992 Fisher
- (Continued)

FOREIGN PATENT DOCUMENTS

- CN 201173996 12/2008
- CN 202691883 1/2013
- (Continued)

Related U.S. Application Data

- (63) Continuation of application No. 29/507,757, filed on Oct. 30, 2014, now Pat. No. Des. 773,707.
- (51) **LOC (10) Cl.** **26-03**
- (52) **U.S. Cl.**
USPC **D26/118; D26/113**
- (58) **Field of Classification Search**
USPC ... D26/24, 60-66, 72, 85, 92, 113, 118, 119
CPC F21V 21/14; F21V 15/01; F21V 14/02;
F21V 21/30; F21V 14/00; F21Y
2105/001; F21S 8/00
See application file for complete search history.

OTHER PUBLICATIONS

Extended European Search Report of Application No. 16197893 by European Patent Office, dated Feb. 24, 2017.
(Continued)

Primary Examiner — Brian N Vinson
(74) *Attorney, Agent, or Firm* — Cooper & Dunham, LLP

(57) **CLAIM**

The ornamental design for a landscape light, as shown and described.

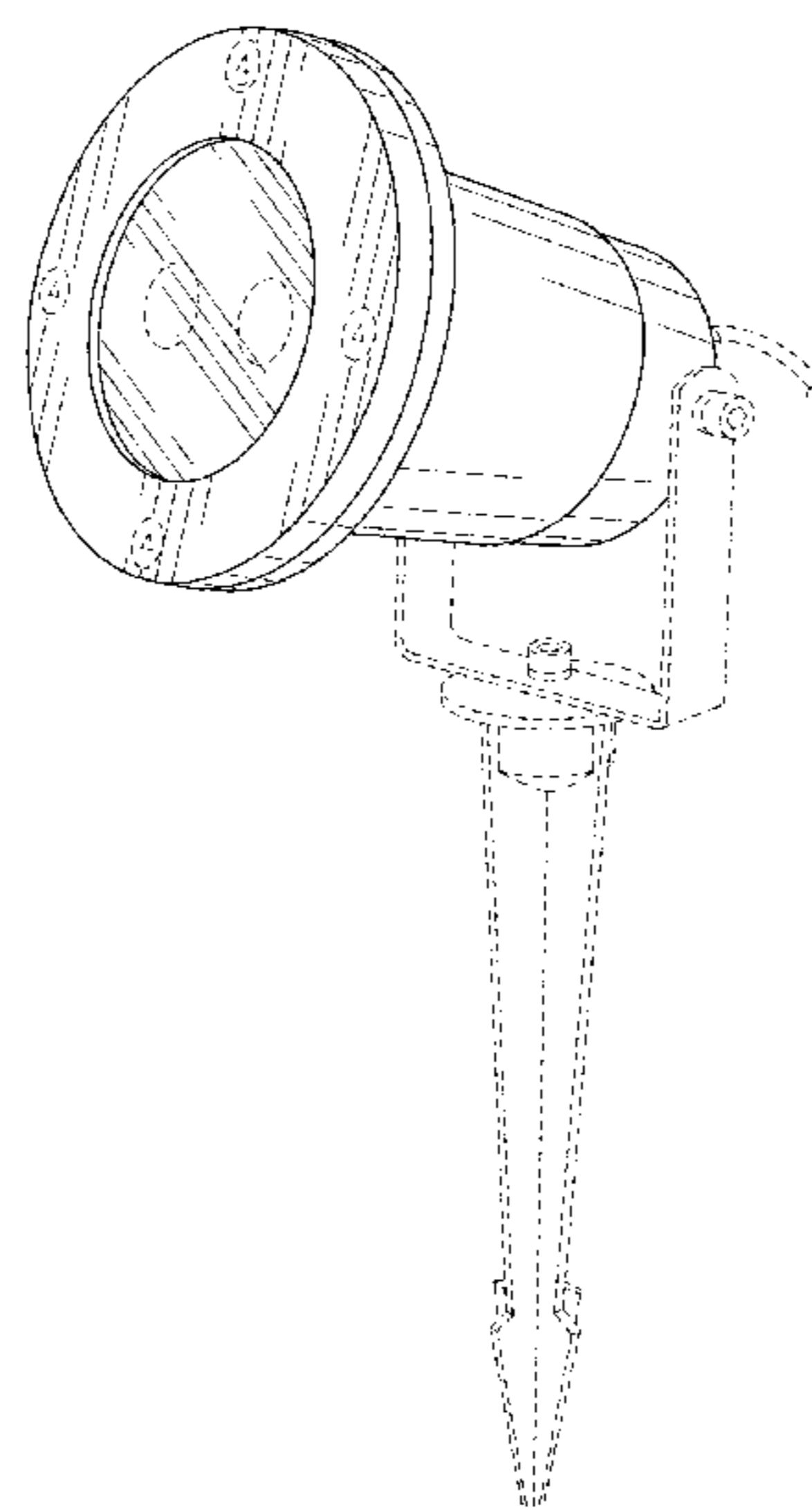
DESCRIPTION

FIG. 1 is a front perspective view of a light projector in accordance with the present design;
FIG. 2 is a front elevation view thereof;
FIG. 3 is a rear view thereof;
FIG. 4 is a left side view thereof;
FIG. 5 is a right side view thereof;
FIG. 6 is a top view thereof; and,
FIG. 7 is a bottom view thereof.
The broken lines are for illustrative purposes only and form no part of the claimed design. The shading represents contour of the claimed design.

1 Claim, 5 Drawing Sheets

(56) **References Cited**
U.S. PATENT DOCUMENTS

- D173,139 S 10/1954 Black
- 3,104,064 A 9/1963 Bellek
- D231,559 S 4/1974 Darling
- 3,822,930 A 7/1974 Douklias
- D233,778 S 11/1974 Kennedy
- D233,779 S 11/1974 Kennedy
- D234,710 S 4/1975 Beeren
- 3,944,761 A 3/1976 Nicholl
- 4,114,112 A 9/1978 Epstein
- D254,154 S 2/1980 Young
- 4,307,528 A 12/1981 Dewees
- 4,458,124 A 7/1984 Kroth
- D278,215 S 4/1985 Patterson



(56)

References Cited

U.S. PATENT DOCUMENTS

5,086,379 A 2/1992 Denison
 5,090,789 A 2/1992 Crabtree
 D328,147 S 7/1992 Gecchelin
 D333,526 S 2/1993 Taylor
 D333,529 S * 2/1993 Denison D26/63
 D340,305 S 10/1993 Hall
 5,280,417 A 1/1994 Hall
 5,367,349 A 11/1994 Zeiler
 5,398,180 A 3/1995 Lee
 5,459,539 A 10/1995 Yamamoto
 D365,169 S 12/1995 Fillipp
 D370,070 S * 5/1996 Kay D26/63
 5,613,799 A 3/1997 Guide
 5,626,418 A 5/1997 Angelis
 5,649,760 A 7/1997 Beadle
 D383,236 S 9/1997 Krogman
 D389,935 S * 1/1998 Pink D26/63
 5,882,107 A 3/1999 Bornhorst
 D413,996 S 9/1999 Andrus
 D414,579 S * 9/1999 Denison D26/63
 5,971,545 A 10/1999 Haitz
 6,000,813 A 12/1999 Krietzman
 6,145,228 A 11/2000 LaChance
 6,152,577 A 11/2000 Rizkin
 D437,071 S 1/2001 Andrus
 D437,652 S 2/2001 Uhler
 6,190,025 B1 2/2001 Solinsky
 D438,999 S 3/2001 Bossy
 6,304,237 B1 10/2001 Karakawa
 6,474,837 B1 11/2002 Belliveau
 D482,476 S 11/2003 Kwong
 6,655,817 B2 12/2003 Devlin
 6,722,771 B1 4/2004 Stephens
 6,802,630 B2 10/2004 Doppelt
 6,874,893 B2 4/2005 Park
 D506,282 S 6/2005 Benghozi
 D506,283 S 6/2005 Benghozi
 7,040,780 B2 5/2006 Diehl
 7,137,721 B1 11/2006 Rao
 D541,966 S 5/2007 Bhengozi
 D542,959 S 5/2007 Yao
 7,257,551 B2 8/2007 Oskorep
 D550,877 S 9/2007 Mullen
 D551,789 S 9/2007 Mullen
 7,369,584 B2 5/2008 Goldman
 D574,532 S * 8/2008 Lee D26/63
 D577,453 S 9/2008 Metlen
 D589,191 S 3/2009 Sabernig
 D604,880 S 11/2009 Lovegrove
 D604,882 S 11/2009 Mier-Langner
 RE41,050 E 12/2009 Panasewicz
 D605,325 S 12/2009 Sanoner
 7,641,345 B2 1/2010 Johnson
 D615,688 S 5/2010 Chen
 D616,586 S 5/2010 Sabernig
 D619,289 S 7/2010 You
 D619,290 S 7/2010 You
 D625,871 S * 10/2010 Huang D26/63
 D628,329 S 11/2010 Tuli
 7,832,918 B2 11/2010 Chien
 D632,414 S 2/2011 Croce
 D638,159 S 5/2011 Yao
 8,003,886 B1 8/2011 Rintz
 D647,234 S 10/2011 Izardel
 D649,671 S 11/2011 Ferro
 8,057,045 B2 11/2011 Johnson
 D651,335 S 12/2011 Chen
 8,100,537 B2 1/2012 Johnson
 8,100,538 B2 1/2012 Kuroda
 D654,606 S 2/2012 Chen
 D659,871 S * 5/2012 Lee D26/63
 D667,981 S * 9/2012 Connolly D26/63
 8,297,825 B2 10/2012 Onishi
 8,303,129 B1 11/2012 Thielen
 8,366,292 B2 2/2013 McDermott

8,376,574 B2 2/2013 Spartano
 8,436,553 B2 5/2013 Zampini
 8,480,233 B2 7/2013 Smith
 8,485,686 B2 7/2013 Swan
 8,693,513 B2 4/2014 Achtenhagen
 8,721,160 B2 5/2014 Chien
 8,901,827 B1 12/2014 Xu
 D723,726 S * 3/2015 Reed D26/63
 D738,023 S * 9/2015 Rosello Gratacos D26/63
 D764,694 S * 8/2016 Tsai D26/63
 D766,483 S * 9/2016 Khubani D26/63
 D773,707 S * 12/2016 Lentine D26/63
 D777,965 S 1/2017 Mirchandani
 D779,098 S 2/2017 Tsai
 2002/0101571 A1 8/2002 Panasewicz
 2003/0189825 A1 10/2003 Tauch
 2004/0042070 A1 3/2004 Yagi
 2004/0119951 A1 6/2004 Vitantonio
 2004/0141316 A1 7/2004 Twardawski
 2005/0024863 A1 2/2005 Phipps
 2005/0243560 A1 11/2005 Chen
 2006/0158138 A1 7/2006 Walter
 2006/0198153 A1 9/2006 Chien
 2007/0064290 A1 3/2007 Hochenbleicher
 2008/0224849 A1 9/2008 Sirhan
 2008/0316732 A1 12/2008 Blake
 2009/0027900 A1 1/2009 Janos
 2009/0033814 A1 2/2009 Khan
 2009/0067191 A1 3/2009 Faber
 2009/0122564 A1 5/2009 Beadle
 2009/0168026 A1 7/2009 Chen
 2009/0268121 A1 10/2009 Hisada
 2010/0046211 A1 2/2010 Spartano
 2010/0053969 A1 3/2010 Weinheimer
 2012/0176782 A1 7/2012 Vanderschuit
 2014/0036487 A1 8/2012 Adams
 2013/0088723 A1 4/2013 Feldkhun
 2013/0257297 A1 10/2013 Schmidt
 2014/0268703 A1 9/2014 Ehlert
 2014/0328060 A1 11/2014 Gadegaard
 2015/0035437 A1 2/2015 Panopoulos
 2015/0159842 A1 6/2015 Zhang
 2015/0308655 A1 10/2015 Holmes
 2016/0313089 A1 10/2016 Collin
 2016/0369996 A1 12/2016 Qin
 2017/0045212 A1 2/2017 Ghasabi
 2017/0080991 A1 3/2017 White

FOREIGN PATENT DOCUMENTS

CN 203273720 11/2013
 CN 203431698 2/2014
 CN 204141534 2/2015
 CN 204176560 2/2015
 CN 303234579 S 6/2015
 CN 104812342 7/2015
 CN 204621354 9/2015
 CN 204629169 U 9/2015
 CN 105068243 11/2015
 CN 205155727 4/2016
 CN 303657559 4/2016
 EP 1 024 399 2/2000
 GB 2435090 8/2007
 WO WO 2006/074205 7/2006
 WO WO 2010022367 2/2010
 WO WO 2015/094009 6/2015
 WO WO 2015/138480 9/2015
 WO WO 2015/143450 9/2015
 WO WO 2015/149877 10/2015

OTHER PUBLICATIONS

Extended European Search Report of Application No. 16197896 by European Patent Office, dated Mar. 13, 2017.
 Examination Report of Application No. 2016101293 by IP Australia, dated Feb. 17, 2017.
 Extended European Search Report of Application No. 16197894. 5-1568 by European Patent Office, dated Feb. 17, 2017.

(56)

References Cited

OTHER PUBLICATIONS

Office Action of Application No. 2,937,150 by Canadian Intellectual Property Office, dated Jan. 26, 2017.

Mr. Christmas Super Green Laser Light Show, available at www.amazon.com, accessed May 2, 2016.

BlissLights Motion Laser, available at www.amazon.com, accessed May 2, 2016.

Color Laser Lights Instructions, published 2014.

BlissLights Spright Smart User Guide, published 2014.

International Search Report PCT/US2016/021347, dated May 17, 2016.

Written Opinion of International Search Authority PCT/US2016/021347, dated May 17, 2016.

International Search Report PCT/US2016/021338, dated May 16, 2016.

Written Opinion of International Search Authority PCT/US2016/021338, dated May 16, 2016.

Written Opinion of International Search Authority PCT/US2016/021354, dated Jun. 30, 2016.

International Search Report PCT/US2016/021354, dated Jun. 30, 2016.

Laser Light, available at www.amazon.com, accessed on Nov. 13, 2015.

Night Stars, available at www.amazon.com, accessed Nov. 13, 2015.

Poeland Garden Laser Landscape, available at www.amazon.com, accessed Nov. 13, 2015.

Remote Controllable RGB Laser, available at www.amazon.com, accessed Nov. 13, 2015.

Newest Garden Tree and Outdoor Wall Decoration Laser, available at www.amazon.com, accessed Nov. 13, 2015.

Pepnice Red and Green Firefly Laser Light, available at www.amazon.com, accessed Nov. 13, 2015.

Klaren Color Laser Light Projector, available at www.amazon.com, accessed Nov. 13, 2015.

Garden Tree and Outdoor Wall Decoration Laser Lights for Holiday Lighting, available at www.amazon.com, accessed Nov. 13, 2015.

Green and Red Light Garden Tree and Outdoor Wall Decoration Laser Lights, available at www.amazon.com, accessed Nov. 13, 2015.

Moving Red and Green 2 Color Laser Landscape Projector Light w/ Remote, available at www.amazon.com, accessed Nov. 13, 2015.

Peatross, Physics of Light and Optics, Mar. 22, 2017, pp. 288-295, 303.

Examination Report of Application No. 2016101293 by IP Australia, dated Oct. 20, 2016.

Laser Christmas Lights & Outdoor Laser Lights, published Oct. 6, 2015, available at <http://web.archive.org/web/20151006140058/http://www.laserchristmaslights.com>.

Examination Report of Application No. 2016101295 by IP Australia, dated Oct. 20, 2016.

SeresRoad Outdoor Waterproof Star Projector, Landscape Projector, available at www.amazon.com, accessed on Nov. 13, 2015.

Us-vision AGO-20RG Modern Outdoor/ Indoor 20 Patterns Gobos Rg Laser Projector, available at www.amazon.com, accessed Nov. 13, 2015.

Sminiker Outdoor Laser Light Sparkle Magic Lights Landscape Light Holiday Light, available at www.amazon.com, accessed Nov. 13, 2015.

Us-vision Outdoor Holiday Waterproof Green Laser Lighting Show, available at www.amazon.com, accessed Nov. 13, 2015.

Improvements All-metal 4-in-1 Projection Light with Remote, available at www.amazon.com, accessed Nov. 13, 2015.

Klaren Color Laser Light Projector—Improvements, available at www.amazon.com, accessed Nov. 13, 2015.

Light Flurries, available at www.lightflurries.com, accessed Mar. 17, 2016.

Outdoor Indoor Spright Smart Firefly Light with Timer Green, available at www.amazon.com, accessed May 2, 2016.

Blisslights Spright Spring Smart Outdoor Indoor Firefly Light Projector with Timer, available at www.amazon.com, accessed May 2, 2016.

Laser Projector Yard Stake Sell Sheet by Yfc-BonEagle, Copyright 2011.

Consumer Electronics Show Flyer by Prime, Jan. 2014.

Laser Light Prime, <https://www.youtube.com/watch?v=ygPEISRdaRo>, accessed May 25, 2017, published Nov. 29, 2014.

Everstar Merchandising Product No. 68-005 (US) / 88-653 (CAN). Request for Ex Parte Reexamination of U.S. Pat. No. 9,546,775, submitted Jul. 13, 2017.

Declaration of Stephen D. Fantone dated Jul. 3, 2017, submitted in support of response to Order to Show Cause (Civil Action No. 2:17-cv-02878).

Everstar Merchandising Product No. 88-506.

Extended European Search Report of Application No. 16197895 by European Patent Office, issued Apr. 28, 2017.

Office Action of Application No. 2,937,150 by Canadian Intellectual Property Office, issued Jun. 30, 2017.

Examination Report of Application No. 2017100480 by IP Australia, issued Jun. 8, 2017.

Office Action of Application No. 2,965,063 by Canadian Intellectual Property Office, issued Jun. 16, 2017.

Evaluation Report of Utility Model Patent No. 2016208941741, issued by the State Intellectual Property Office of the People's Republic of China, dated Aug. 3, 2017.

Order Granting Ex Parte Reexamination of U.S. Pat. No. 9,546,775, mailed Aug. 1, 2017.

* cited by examiner

FIG. 1

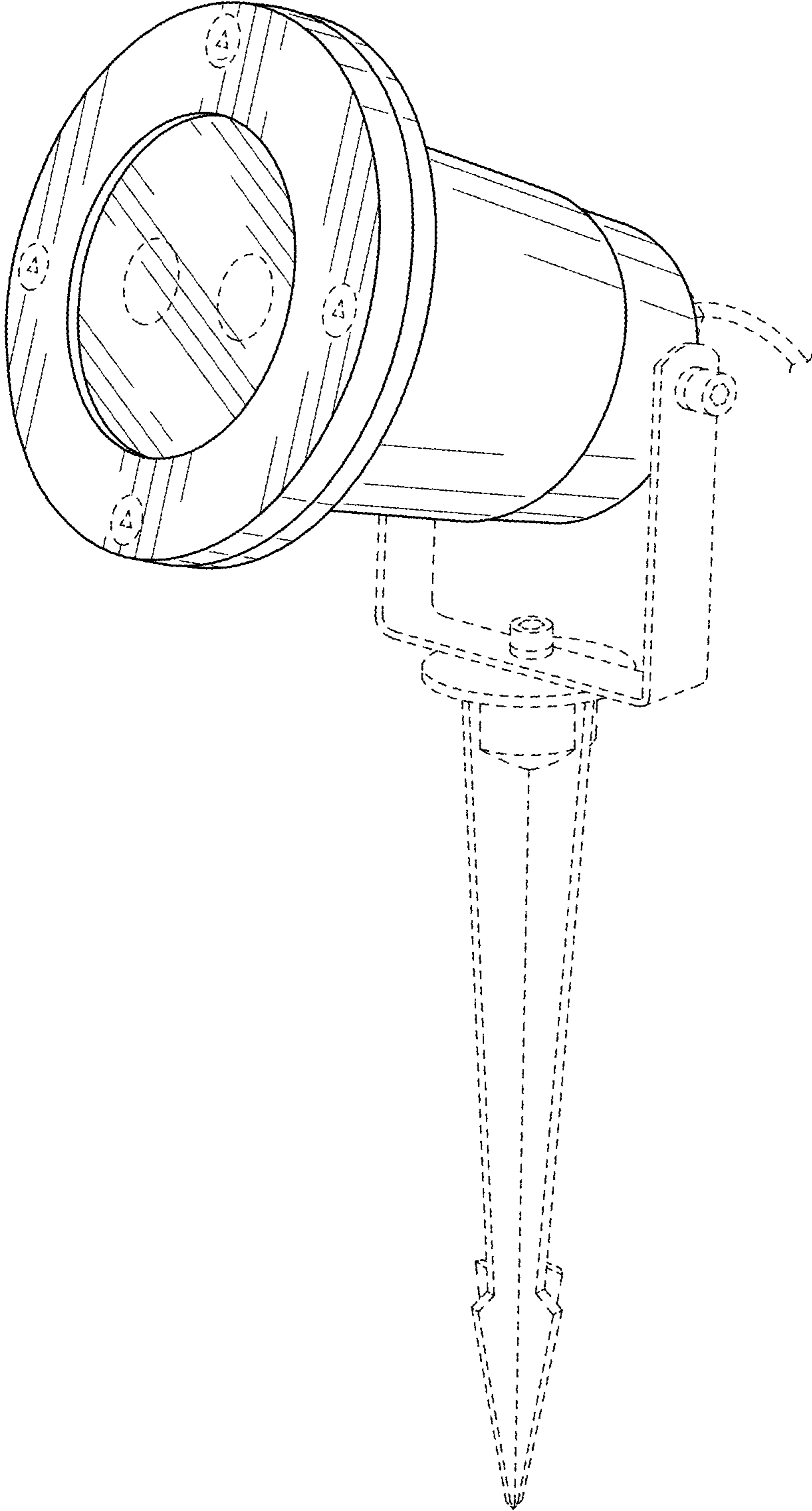


FIG. 2

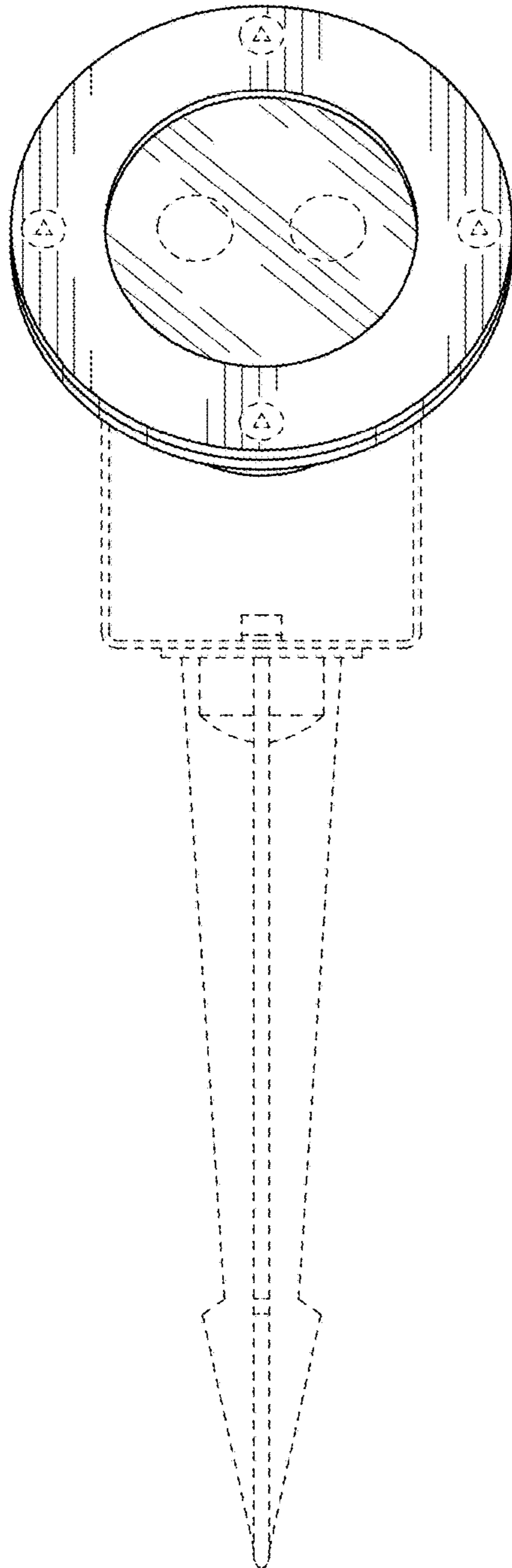


FIG. 3

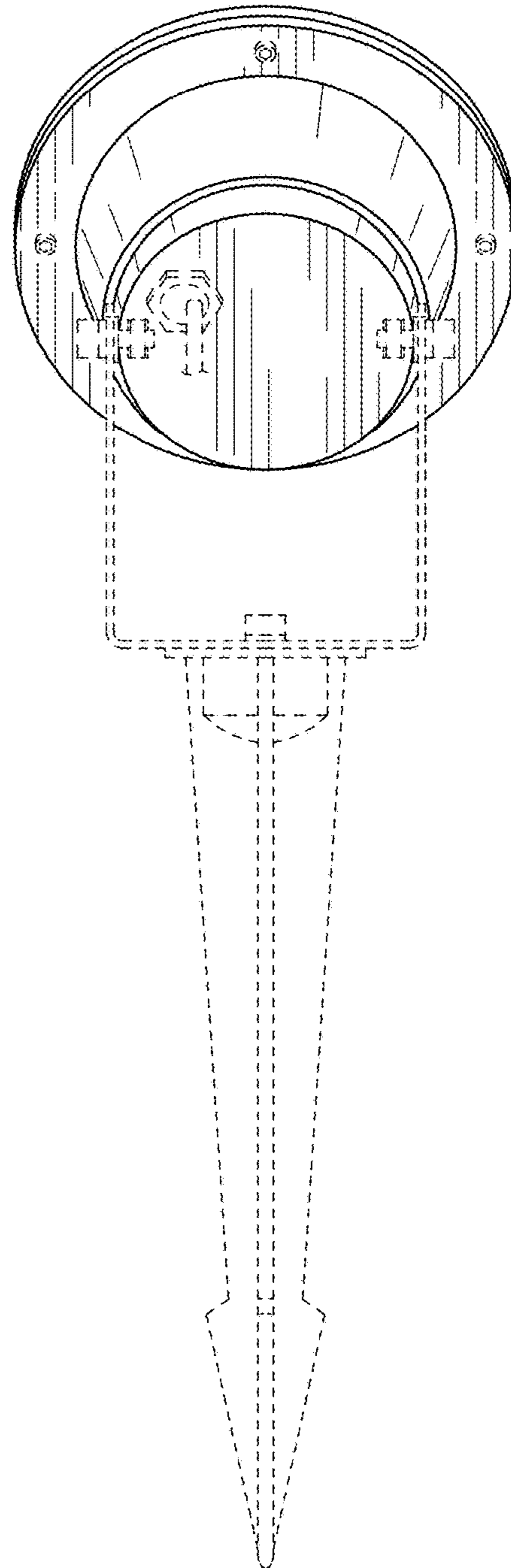


FIG. 4

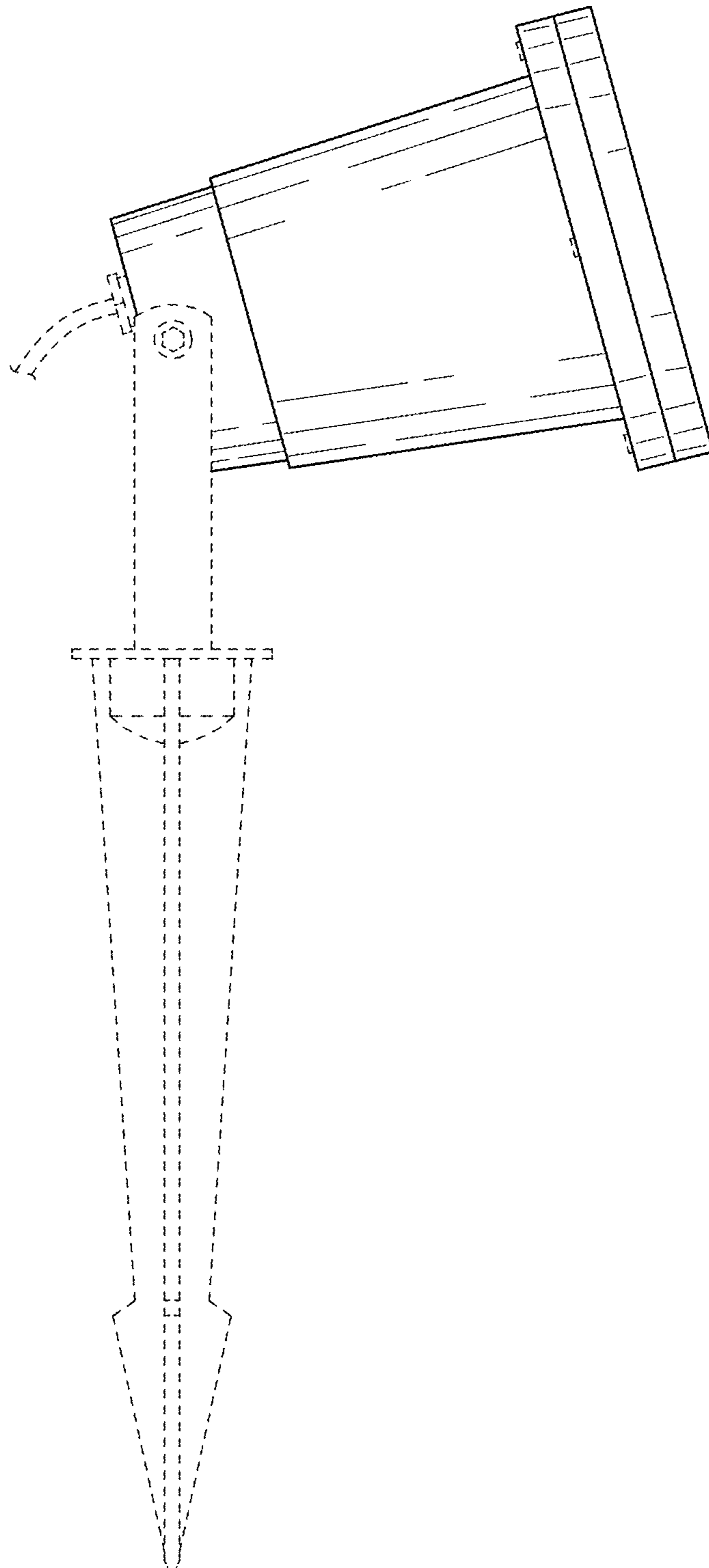


FIG. 5

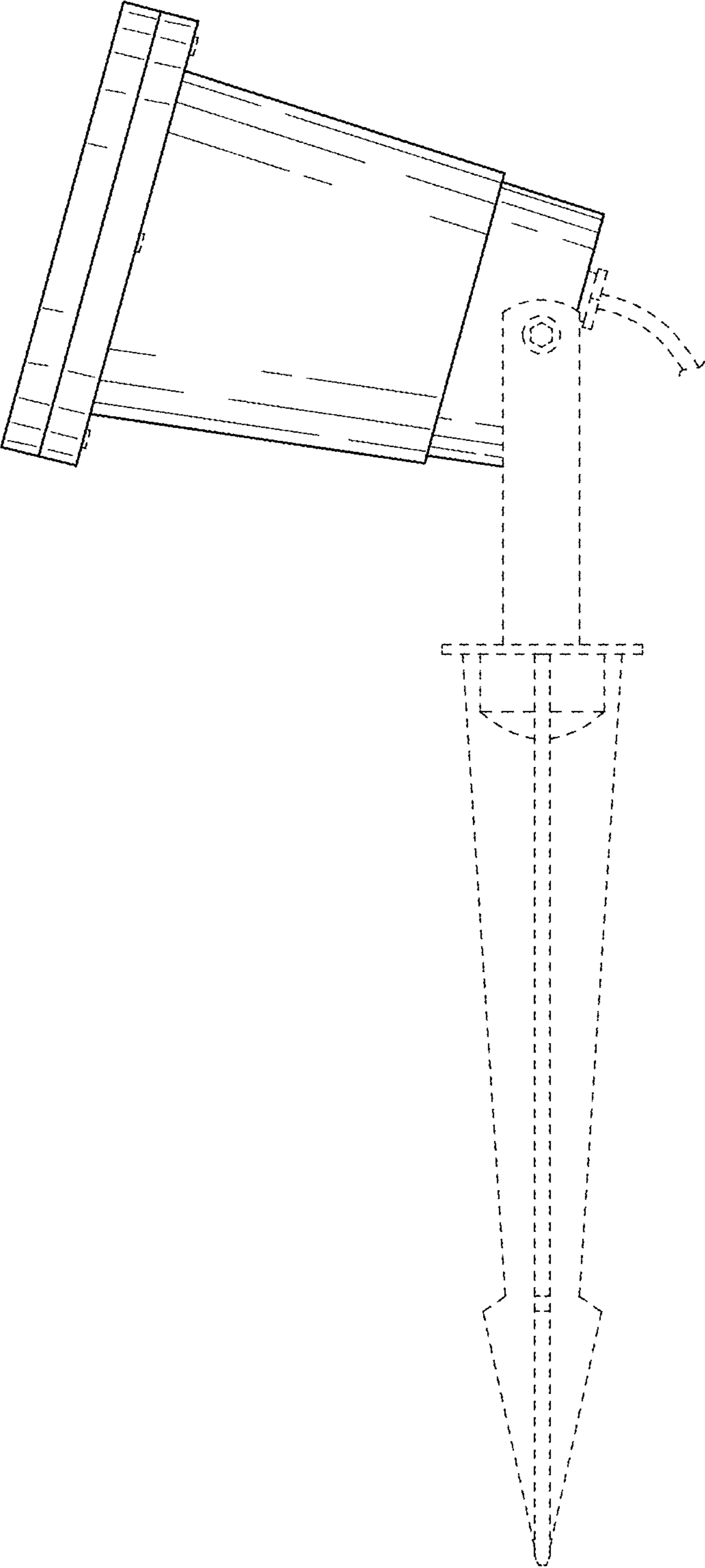


FIG. 6

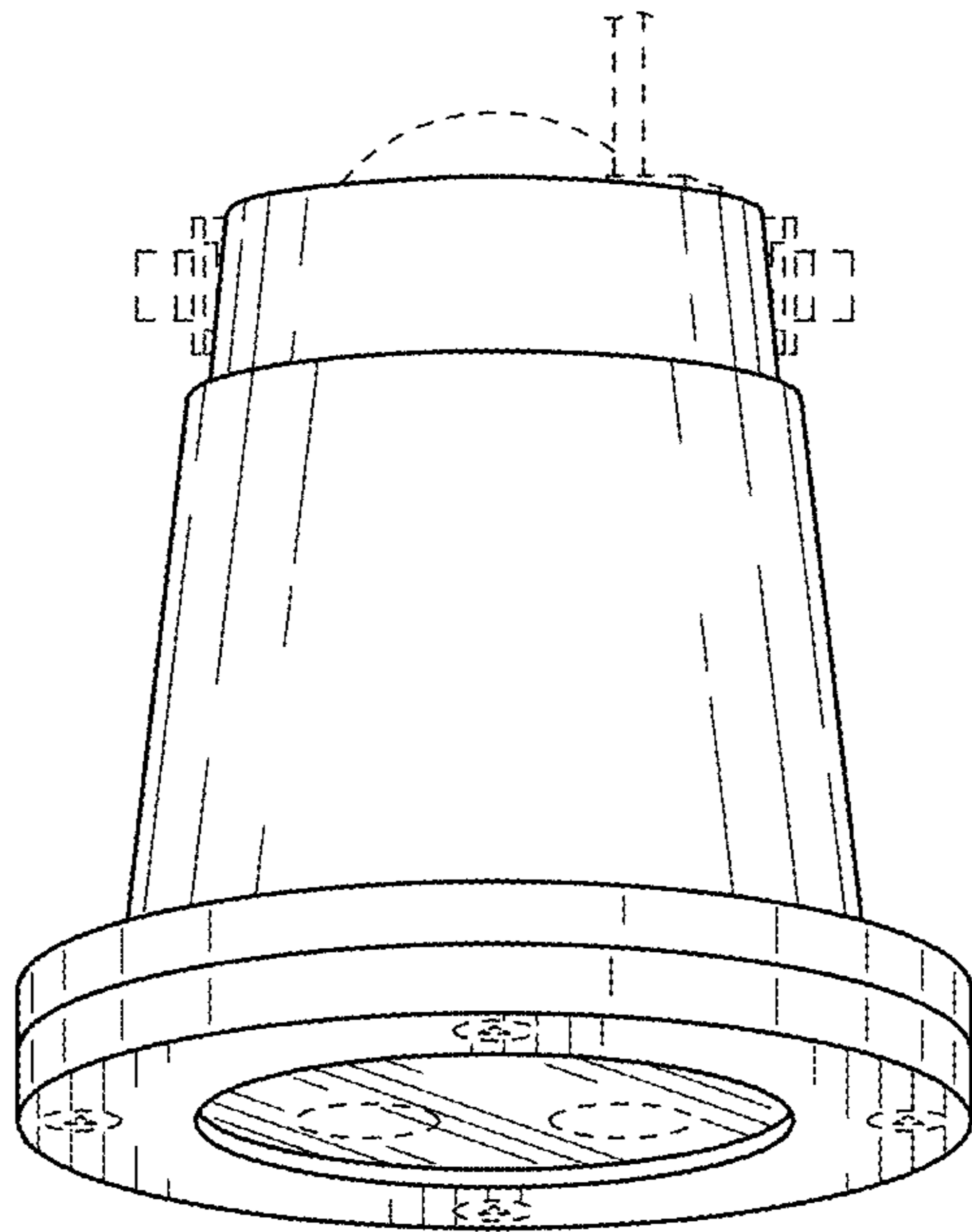


FIG. 7

